

Burner Motor

1/7 hp AC motor for **AF/AFG** Burners

Beckett
PARTS & ACCESSORIES

Product Sheet

Description

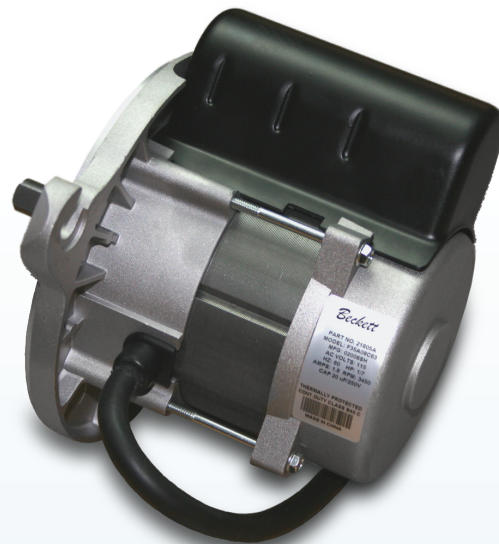
Available for the Beckett AF/AFG burner line, the 1/7 hp PSC motor is based on proven durability of the AFII motor after 10 years of high reliability in the field.

Features & Benefits

- **Permanent Split Capacitor** - Lower amp draw, cooler operation, few failures.
- **Ball Bearings** - Longer Life

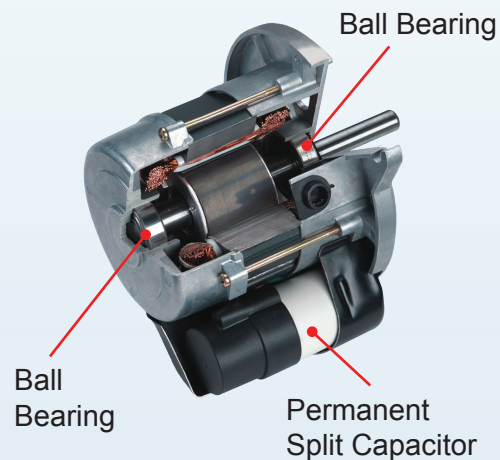
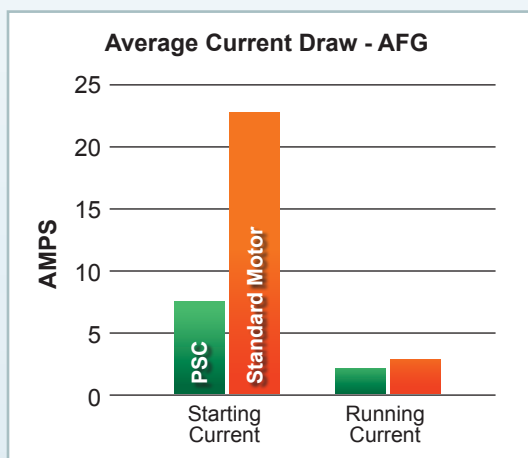
Specifications

Electrical Input	115V / 60Hz
Current Draw	1.7 FLA
Speed	3,450 rpm
Construction Type	PSC (Permanent Split Capacitor)
Bearing System	Ball bearing
Thermal Protector	Manual reset



Dimensions

Mounting Frame	NEMA 48M
Lamination Width	3.7 in.
Body Length	4.56 in.
Body Width	3.93 in.



R.W. **BECKETT** CORPORATION

USA: R.W. Beckett Corporation • ph: (800)645-2876 • fax: (800)800-9802 | Canada: R.W. Beckett Canada Ltd. • ph: (800)665-6972 • fax: (519)763-5656

www.beckettcorp.com