

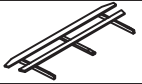







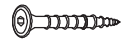



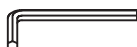
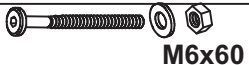
## CARE AND MAINTENANCE

Store outdoor furniture indoors or cover well when it is not in use. Dust regularly with small brush or vacuum. Spills should be taken care of immediately before they harden or stain with a slightly dampened sponge.

## NOTICE

Please make sure that you have all parts indicated before you begin assembly of this item.

### Part List and Hardware List

PIECE	DESCRIPTION	PICTURE	QUANTITY
<b>A</b>	Back		<b>1x</b>
<b>B</b>	Seat		<b>1x</b>
<b>C</b>	Side		<b>2x</b>
<b>D</b>	Right Leg		<b>2x</b>
<b>E</b>	Left Leg		<b>2x</b>
<b>F</b>	Joint bar		<b>2x</b>
<b>G1</b>	Allen bolt L	 M6x75	<b>1x</b>
<b>G2</b>	Allen bolt S	 M6x45	<b>1x</b>
<b>G3</b>	Allen screw	 M6x50	<b>4x</b>
<b>G4</b>	Allen bolt S	 M6x35	<b>8x</b>
<b>G5</b>	Allen bolt S	 M6x30	<b>4x</b>
<b>G6</b>	Wrench		<b>1x</b>
<b>G7</b>	Allen Key		<b>1x</b>
<b>G8</b>	Allen bolt M	 M6x60	<b>4x</b>

 **SAFAVIEH**  
OUTDOOR LIVING

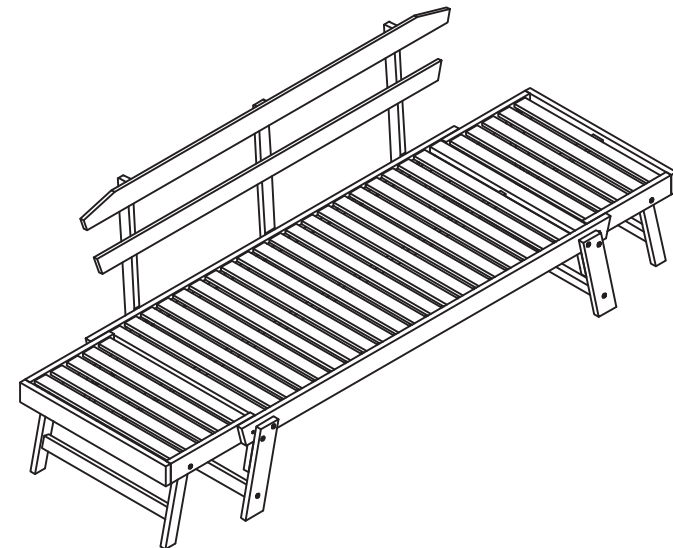
MODEL# PAT6745

Product Dimension: 82.68"W x 29.13"D x 28.74"H

Weight capacity : 600 lbs

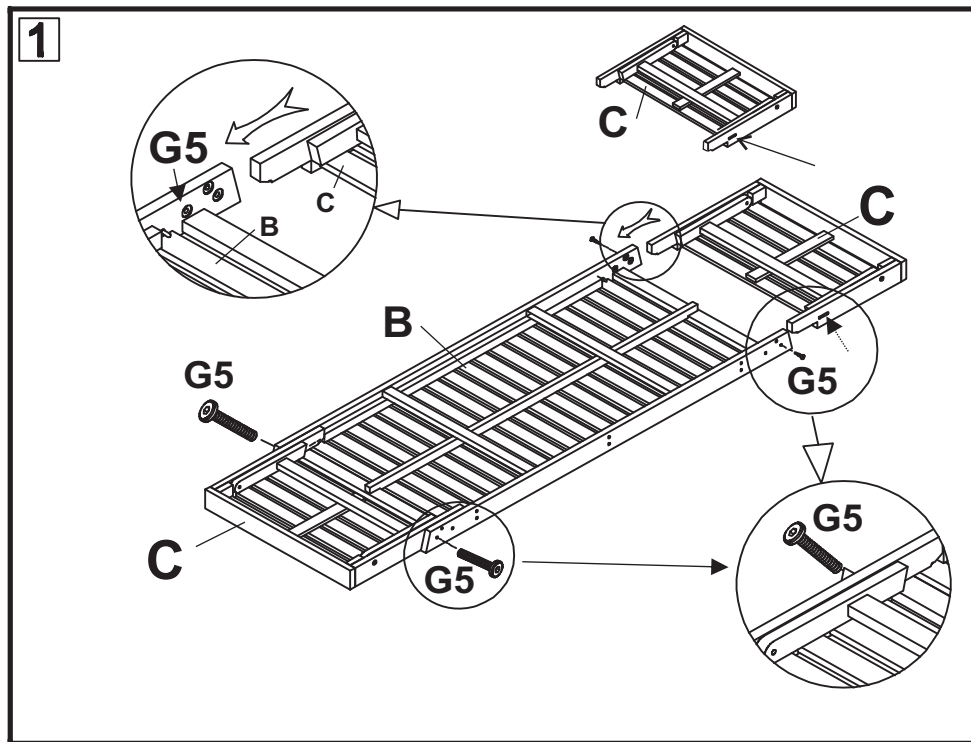
Warning : Do not stand on the bench

Warning : Do not torque bolts / screws

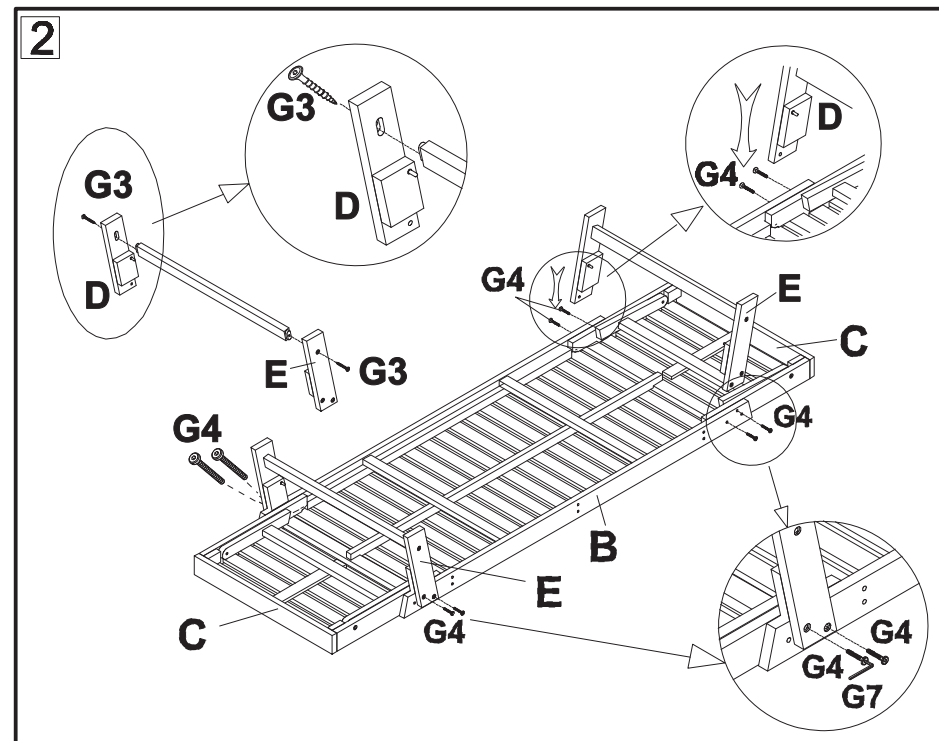


# PREPARATION

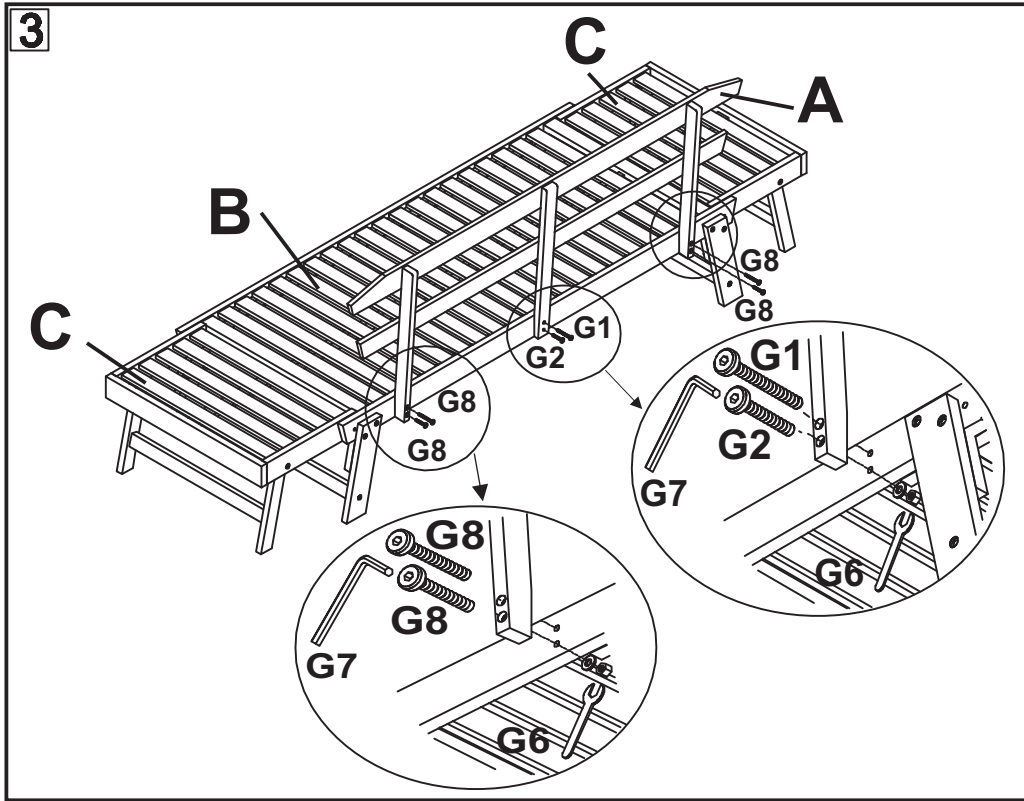
Before beginning the assembly of the product, make sure all parts are present. Compare the parts with the package contents list and hardware contents list. If any parts are missing or damaged, do not attempt to assemble the product. Tool required for assembly (included): Allen Key and Wrench.



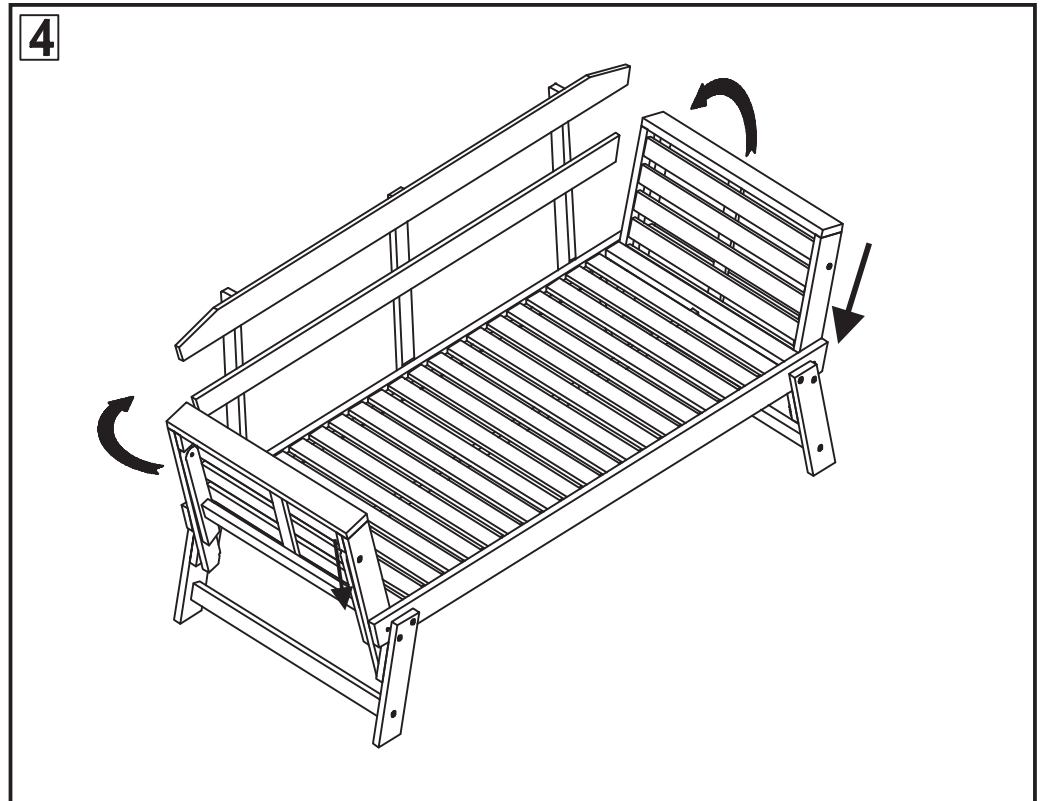
Step 1: attach the side (C) to the seat (B) both side as shown on the picture. Then use the Allen bolt (G5) to tighten all sides by using the Allen Key (G7). Make sure the Allen bolt (G5) come inside the hole of the side back (C) as shown on the picture.



Step 2: attach the right leg (D) and left leg (E) to the joint bar (F) as shown on the picture. Use the Allen screw (G3) to attach it together by using the Allen Key (G7). Then put these legs to the seat (B), use the Allen bolt (G4) as shown on the picture. Tighten all by using the Allen Key (G7) as shown on the picture.



Step 3: attach the back (A) to the seat (B) as shown on the picture. Then use the Allen bolt L (G1) and the Allen bolt S (G2) in the middle, left and right use Allen bolt M (G8) and tighten by the Allen Key (G7) and wrench (G6) as shown on the picture. Make sure put correct position to use the Allen bolt L(G1) , the Allen bolt S (G2) , the Allen bolt (G8) as shown on the picture.



Step 4: Lift up the side (C) as shown the picture and put down to lock the side on the seat (B) then can use this lounger same as this bench.