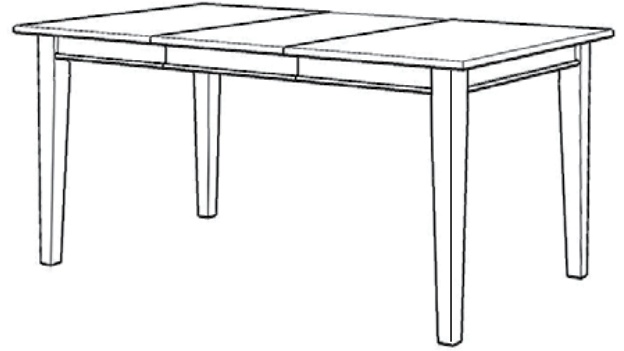


Dining Table



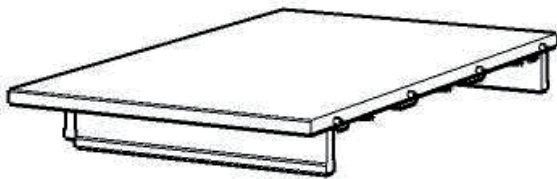
IMPORTANT

Carefully remove all the parts from the carton and place them individually on a soft cloth to prevent scratches or other damage.

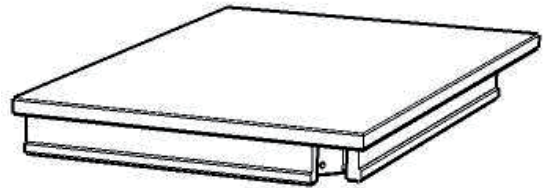
Carefully and strictly follow these assembly instructions to ensure a completed product as designed.

Do not use power tools above 8 volts to assemble.

Part List



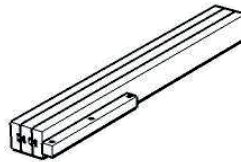
A.
Top
1 pc.



B.
Top
1 pc.



C.
Leaf
1 pc.



D.
Table Slide
2 pcs.

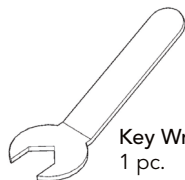


E.
Leg
4 pcs.

Hardware List



Hex Wrench
1 pc.



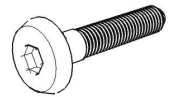
Key Wrench
1 pc.



Spring Washer (small)
8 pcs. (+1 extra)



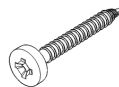
Flat Washer (small)
8 pcs. (+1 extra)



M6x45
Head Cap Bolt
8 pcs. (+1 extra)



Small Hex Wrench
1 pc.



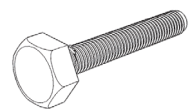
M3.5x40
Wood Screw
16 pcs. (+1 extra)



Spring Washer
8 pcs. (+1 extra)



Flat Washer
8 pcs. (+1 extra)



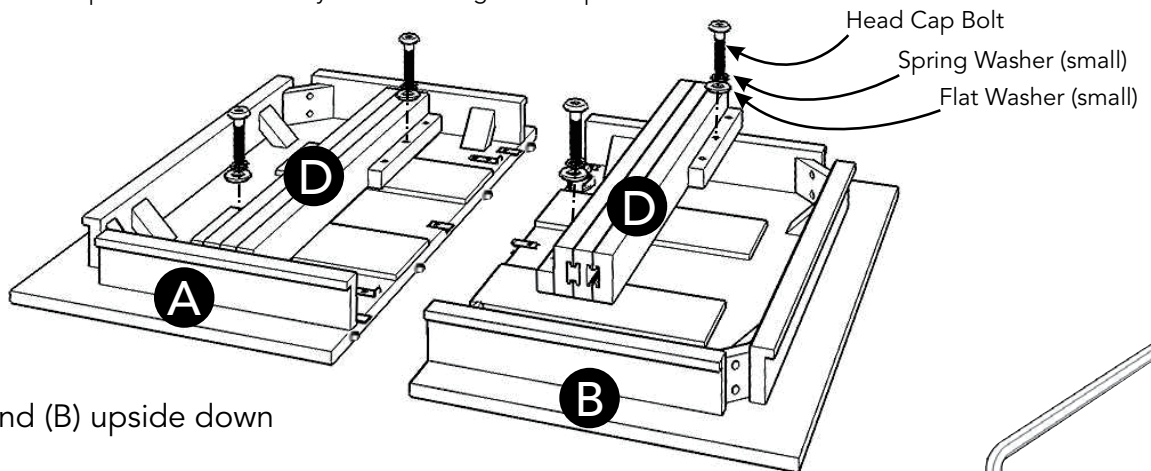
M8x50
Bolt
8 pcs. (+1 extra)

Tool(s) required for assembly: Phillips screwdriver, Level

Assembly Instructions 2/3

IMPORTANT

- Use a soft cloth between these parts and the floor.
- Do not use power tools above 8 volts to assemble.
- The unit must be level to work properly. Use the included adjustable levelers to level.
- Keep Hex Wrench in a safe place as the bolts may need to be tightened up in the future.



STEP 1

Place Tops (A) and (B) upside down on a soft cloth.

Remove Table Slides (D) from their packing position by loosening and removing Flat Washers (small), Spring Washers (small) and Head Cap Bolts. (See Figure 1)

Note: These 4 Flat Washers (small), Spring Washers (small) and Head Cap Bolts will be used in Step 2. Do not discard.

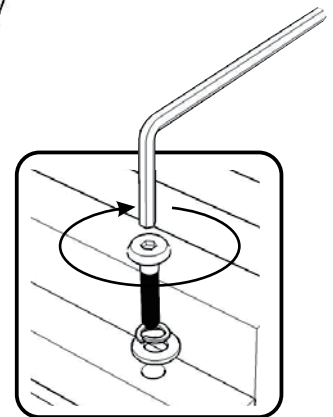
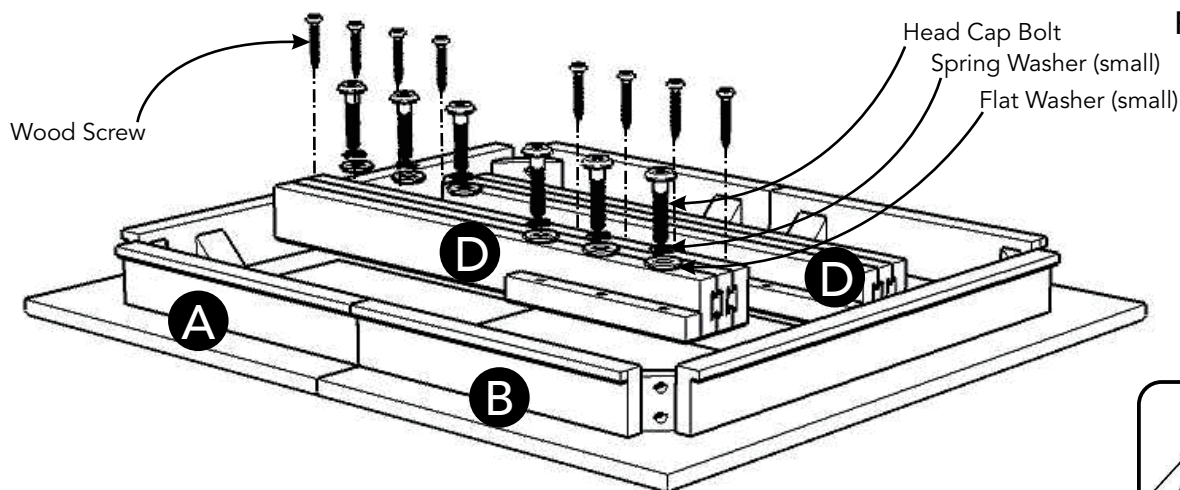


Figure 1



Wood Screw

Head Cap Bolt
Spring Washer (small)
Flat Washer (small)

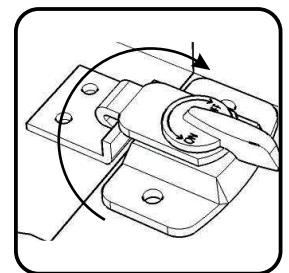


Figure 2

STEP 2

Attach Top (A) to Top (B) by aligning dowels with the holes and firmly pushing together.

Engage the locks by turning their handles clockwise 1/4 turn. (See Figure 2)

Attach Table Slides (D) to unit with Flat Washers (small), Spring Washers (small) and Head Cap Bolts.

Tighten Wood Screws. (See Figure 3)

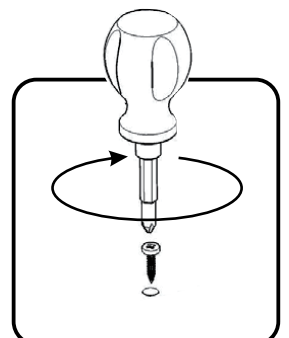


Figure 3

Assembly Instructions 3/3

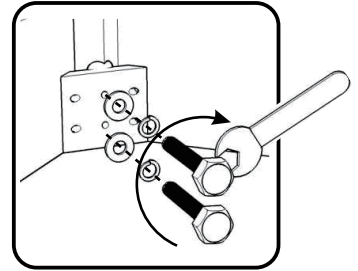
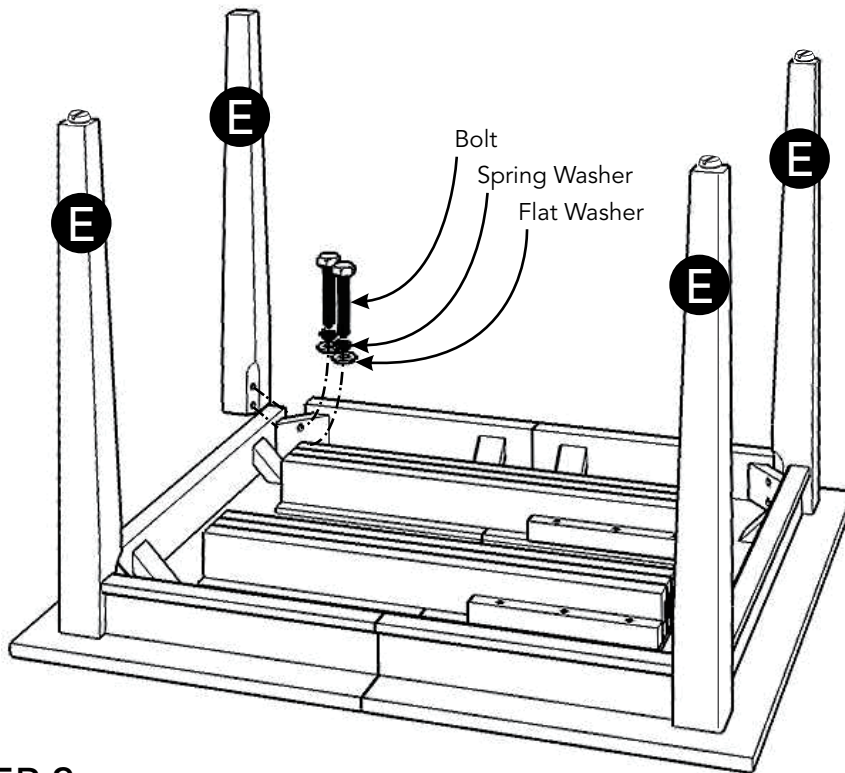


Figure 4

STEP 3

Attach Legs (E) to unit with Flat Washers, Spring Washers and Bolts. (See Figure 4)

Turn table over to its' upright position.

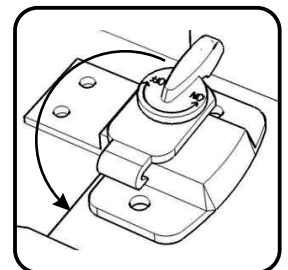
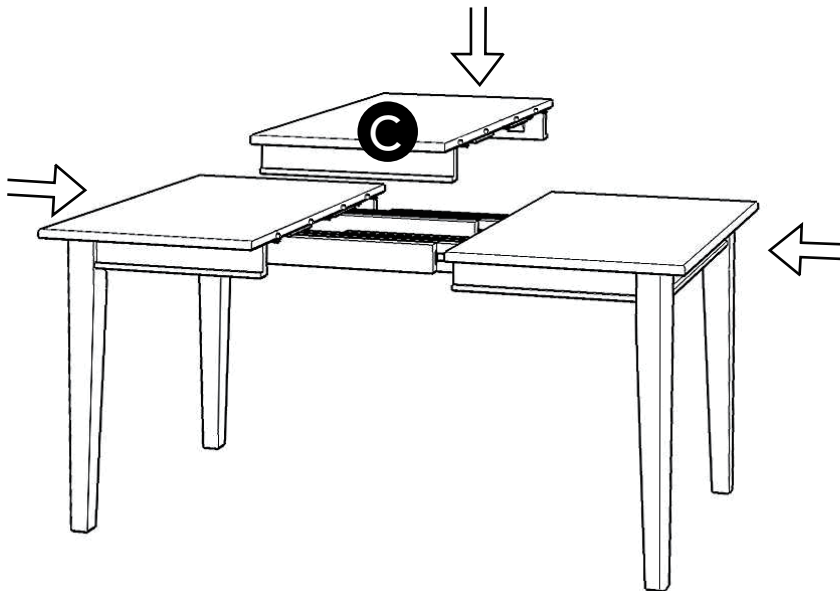


Figure 5

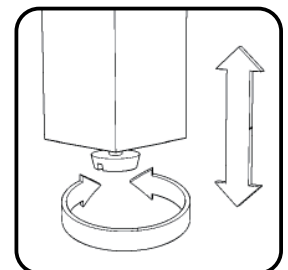


Figure 6

STEP 4

Disengage the locks by turning their handles counter-clockwise. (See Figure 5)

Pull out both sides of the table, then place Leaf (C) in the unit, aligning the dowels with the holes.

Push the table together firmly, then engage the locks by turning their handles clockwise 1/4 turn.

Level unit by adjusting the adjustable levelers on the bottom of legs. (See Figure 6)

CARE INSTRUCTIONS

NEVER

allow liquids to remain on furniture.
Absorption causes parts to warp
and split and finishes to delaminate.

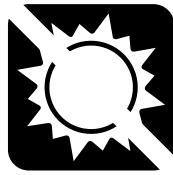
NEVER

use glass cleaners on
finished furniture. Ammonia
chemically attacks the finish.



Do not use power tools
above 8 volts to assemble.

**PREVENT
CRACKING**



Do not place
in direct sunlight.

**PREVENT
FADING**



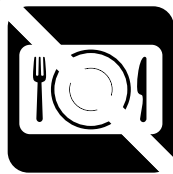
Do not write
directly on surface.

**PREVENT
MARKING**



Do not place hot
objects on surface.

**PREVENT
FINISH DAMAGE**



Do not use rubber
based placemats.

**PREVENT
DISCOLORING**



Do not use commercial
waxes and polishes.

**PREVENT
YELLOWING**

CLEAN

with a soft cloth moistened
in lukewarm soap and water.
Buff with a dry clean cloth.



Home Styles will provide replacements free of charge for missing or damaged hardware or parts within 30 days of purchase. Digital images of the defective parts may be required. If the product was not purchased from an authorized retail affiliate, Home Styles is under no obligation to provide replacement parts. Parts are not available for fully assembled items nor are parts available for sale. Replacements for missing or damaged hardware or parts may be requested at:

www.homestyles-furniture.com/customer-service/replacement-parts

Home Styles Customer Service: www.homestyles-furniture.com,
servicedesk@homestyles-furniture.com, 888-680-7460, 877-831-0319