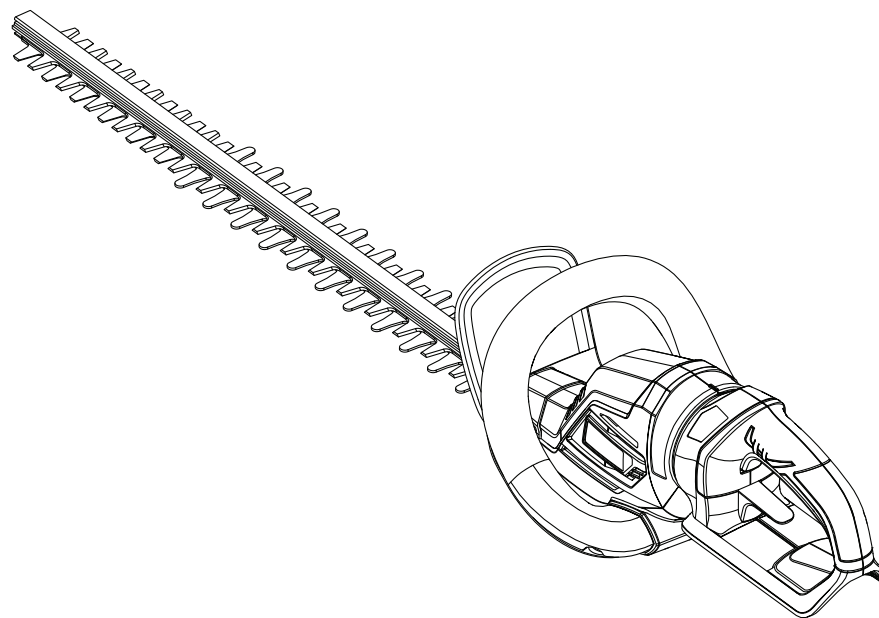


# REPAIR SHEET

BRAND <b>RYOBI</b>		DESCRIPTION <b>40 Volt Hedge Trimmer</b>
MODEL NO. <b>RY40602</b> <b>RY40602VNM</b>	MFG. NO. <b>107273001</b> <b>107273101</b>	

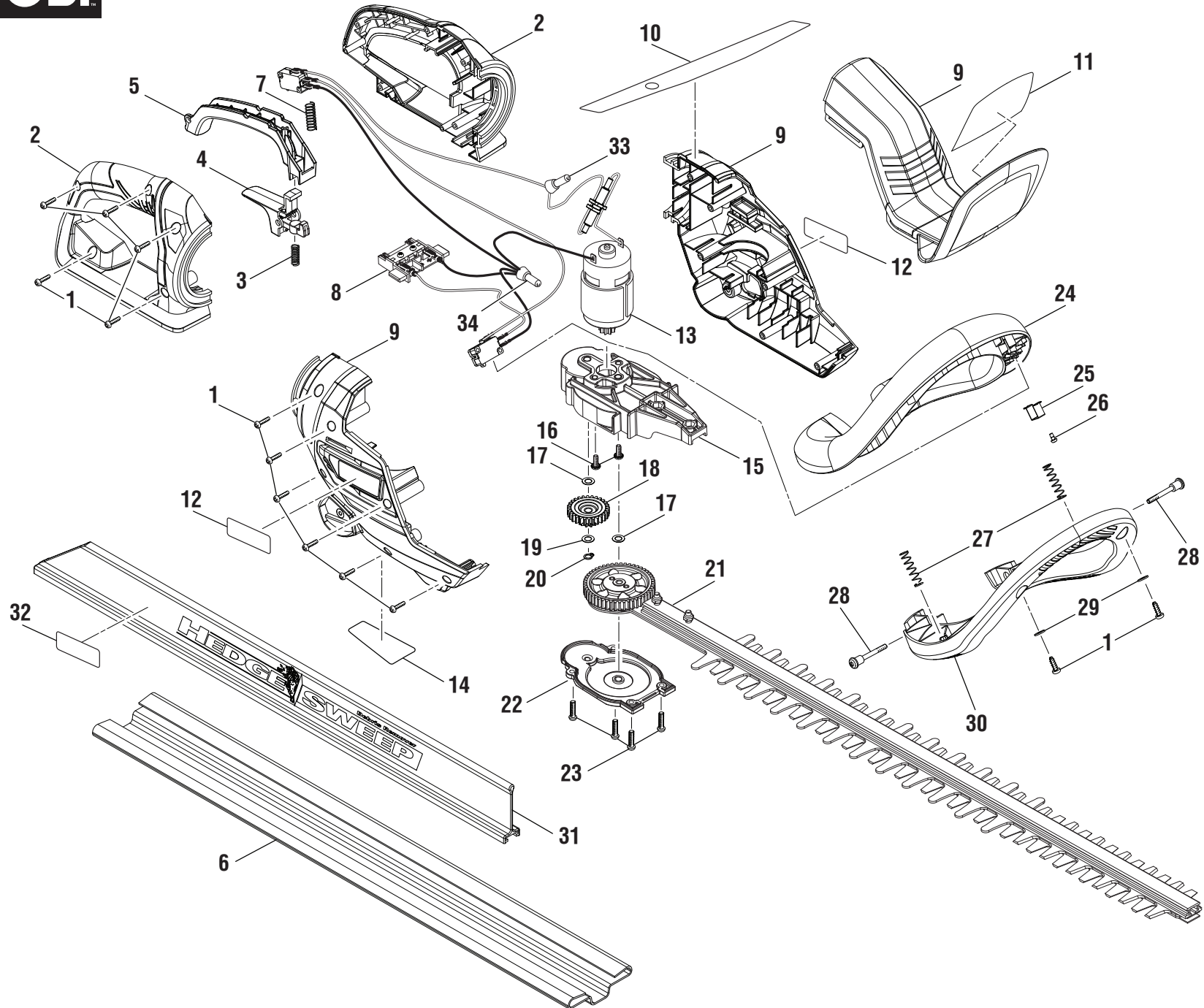


## TECHTRONIC INDUSTRIES POWER EQUIPMENT

P.O. Box 1288, Anderson, SC 29622 ■ 1-800-525-2579 ■ [www.ryobitools.com](http://www.ryobitools.com)

10-13-20 (Rev:07)

*The model number and manufacturing location will be found on a label attached to the product. Always mention this information in all communications regarding this product and when ordering parts.*



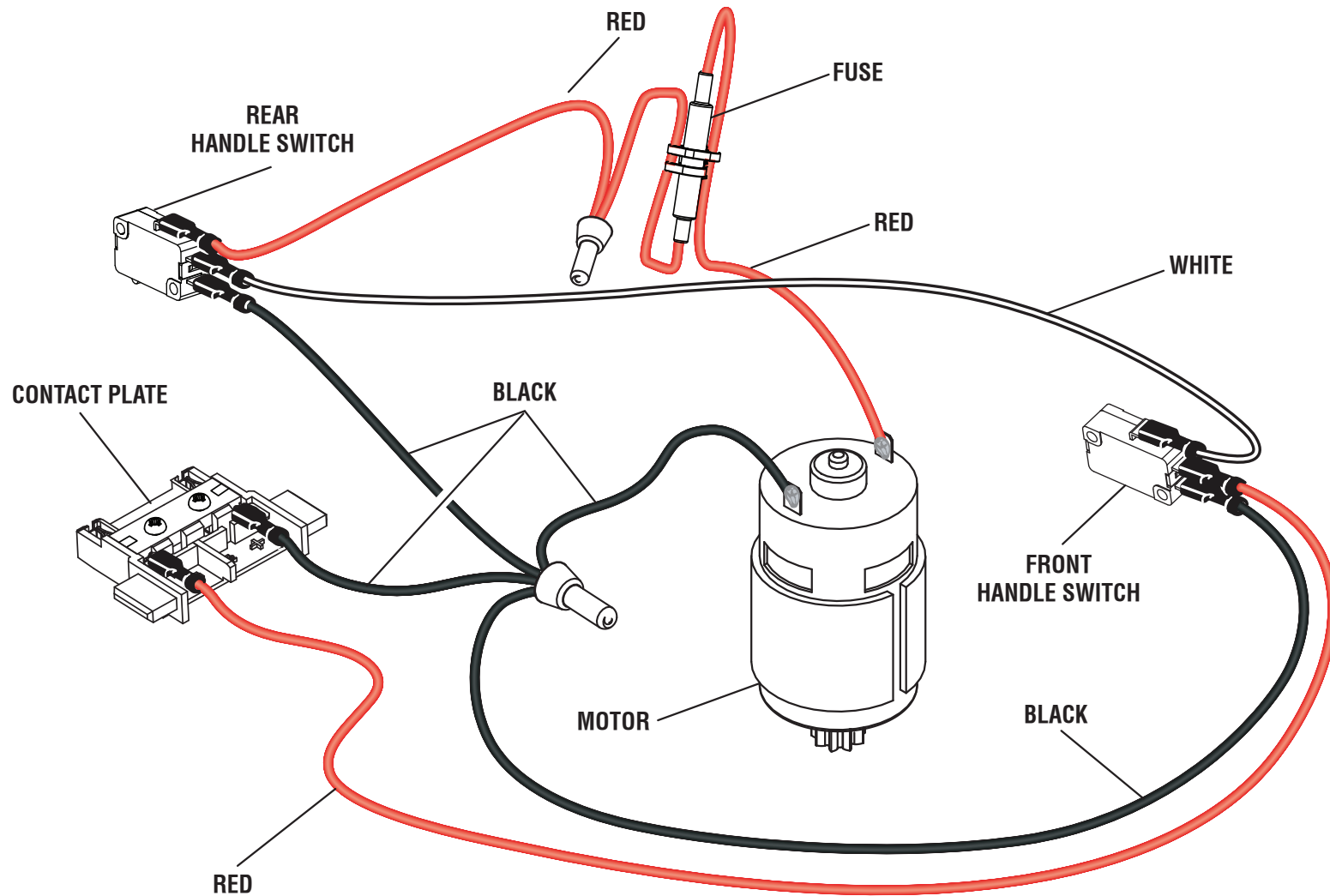


# RY40602/RY40602VNM

## PARTS LIST

KEY NO.	PART NO.	DESCRIPTION	QTY.
1	661817002	Screw (M4 x 13.5 mm, T15 Torx Pan Hd.)	13
2	205095001	Rear Handle Assembly	1
3	695164001	Compression Spring	1
4	311716001	Lock-off Trigger Assembly	1
5	529765001	Trigger	1
6	528341001	Scabbard	1
7	679055008	Compression Spring	1
8	205100001	Switch and Contact Plate Assembly (Inc. Key Nos. 13 & 33-34)	1
9	205094001	Motor Housing Assembly (Inc. Key Nos. 10-12 & 14, RY40602)	1
	317364001	Motor Housing Assembly (Inc. Key Nos. 10-12 & 14, RY40602VNM)	1
10	940851648	Angle Adjustment Label	1
11	941589006	Warning Label	1
12	940705517	Logo Label	2
13	205099001	Motor Assembly	1
14	941589007	Data Label (RY40602)	1
	941588550	Data Label (RY40602VNM)	1
15	535298001	Gear Case	1
16	660137001	Screw w/Lock Washer (M4 x 12 mm, Pan Hd.)	2
17	670914001	Washer (M6)	2

KEY NO.	PART NO.	DESCRIPTION	QTY.
18	312379001	Middle Gear Assembly	1
19	638623005	Washer (OD10 x 5.3ID x 0.5t)	1
20	679048001	Retaining Ring	1
21	205096001	Blade Assembly (24 in.)	1
22	535297001	Gear Case Cover	1
23	660208052	Screw (M4 x 16 mm, Pan Hd.)	4
24	526800001	Front Handle	1
25	639109001	Switch Bracket	1
26	660203073	Screw (M3 x 6 mm, Pan Hd.)	1
27	679055009	Compression Spring	2
28	660137014	Screw (M4 x 38 mm, T20 Torx Pan Hd.)	2
29	690969001	Washer (OD10 x ID4.2 x 1t)	2
30	526801001	Front Handle Cover	1
31	205101001	Hedge Sweep (Inc. Key No. 32)	1
32	941769001	Warning Label	1
33	790009004	Wire Connector	1
34	790021001	Wire Connector	1
	<b>Not Shown:</b>		
	995000583	Operator's Manual	



### WIRING DIAGRAM