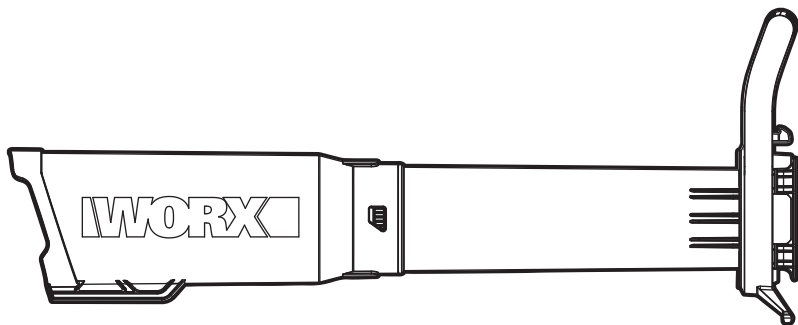
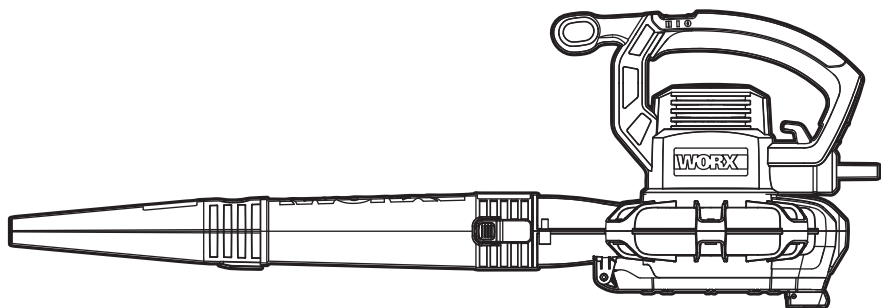


WORX®

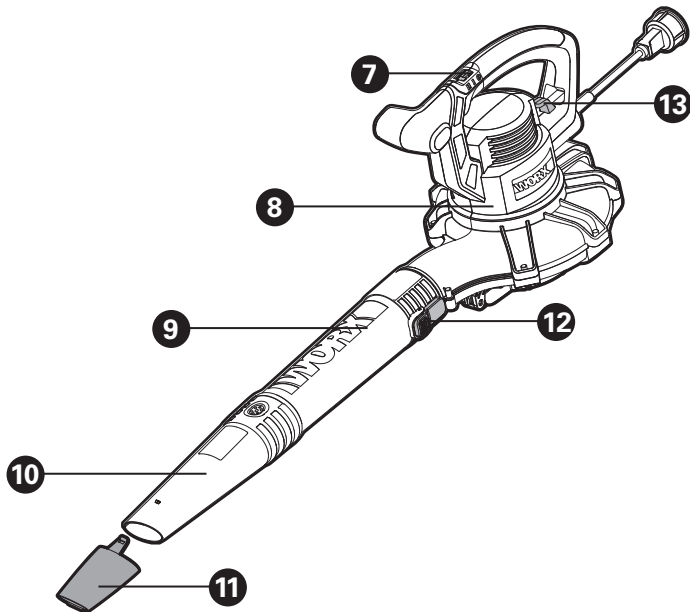
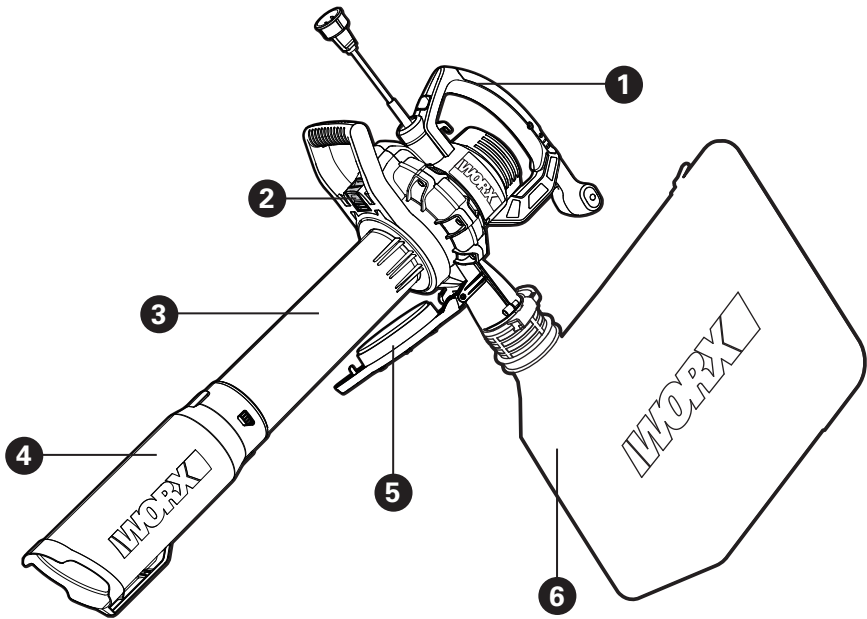


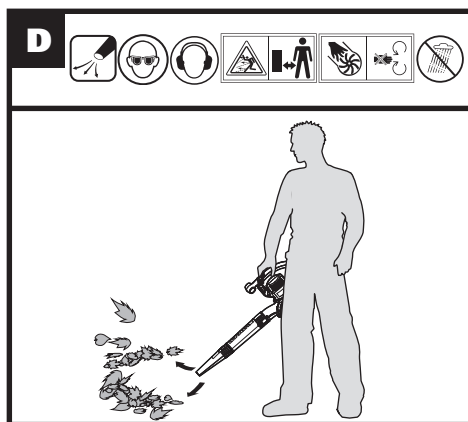
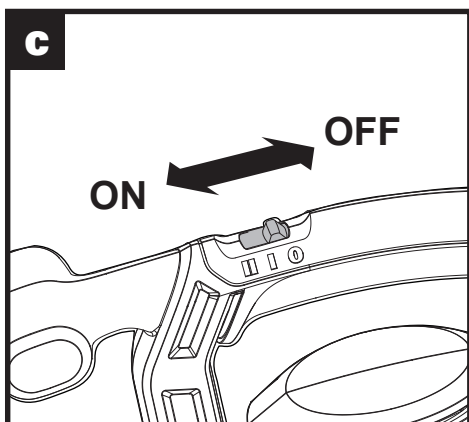
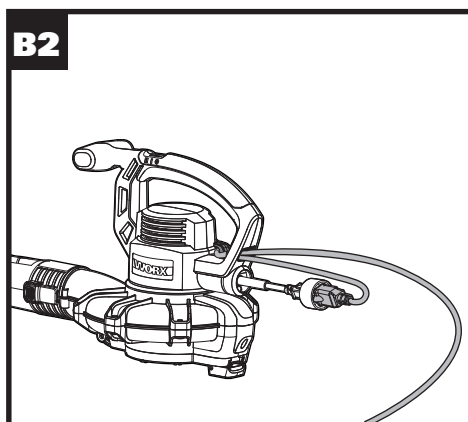
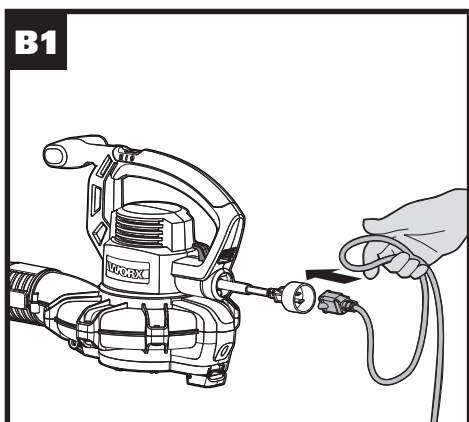
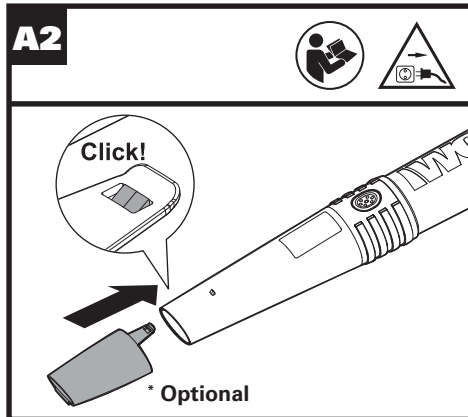
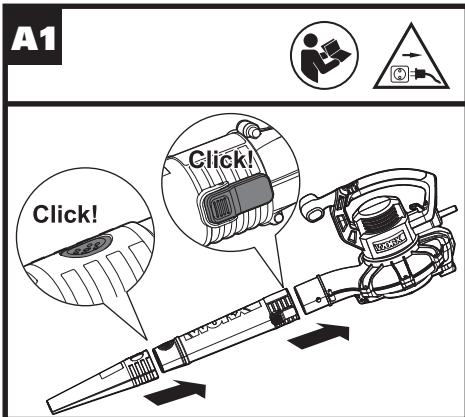
12A Blower/Vac/Mulcher	EN	P06
XXXXXXXXXXXXXXXXXXXXXXXXXXXXXXXXXXXX	F	P12
XXXXXXXXXXXXXXXXXXXXXXXXXXXXXXXXXXXX	ES	P18

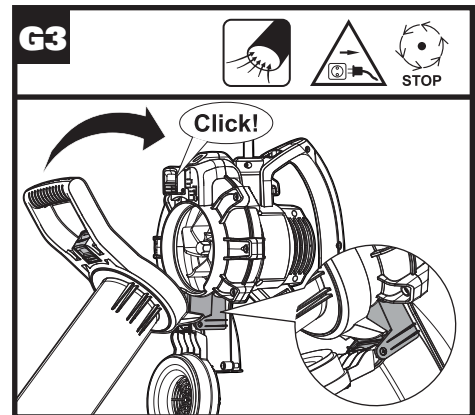
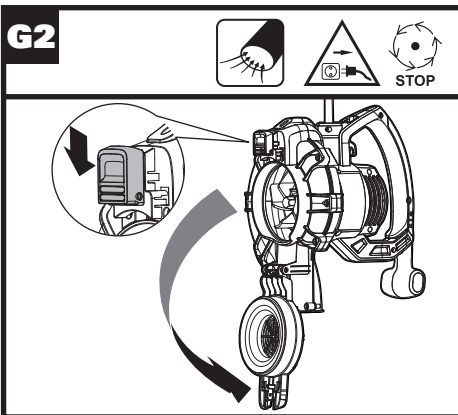
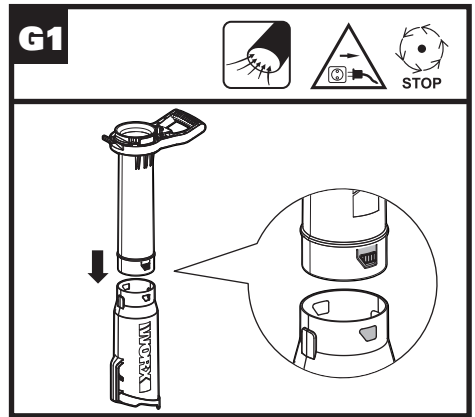
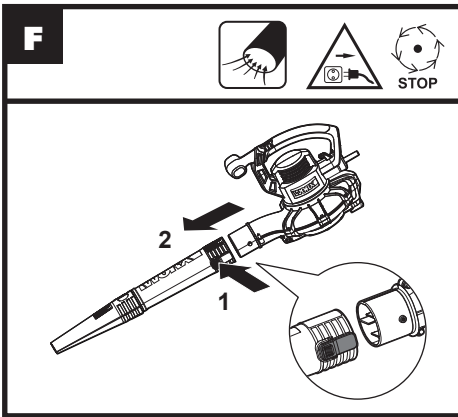
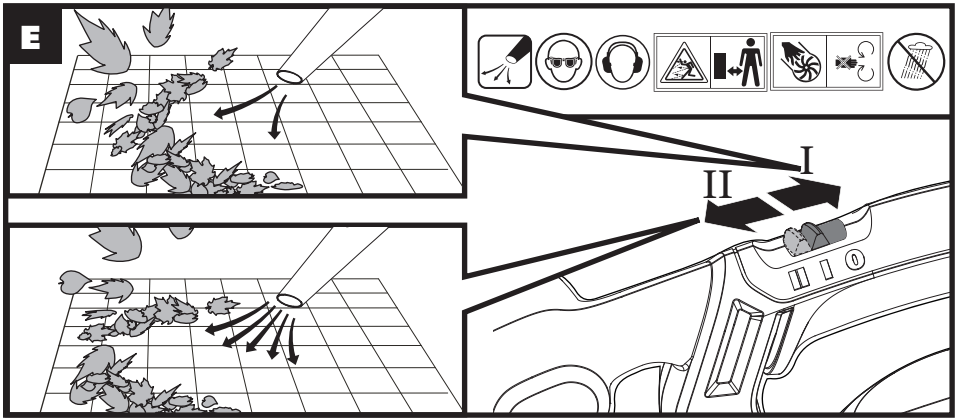


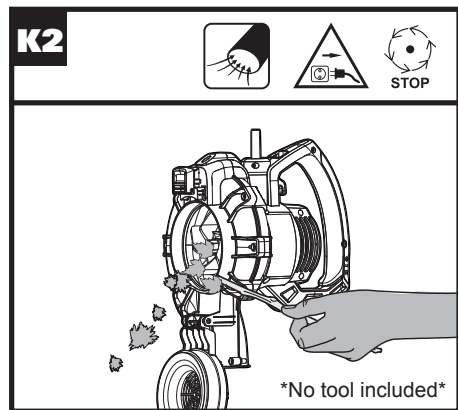
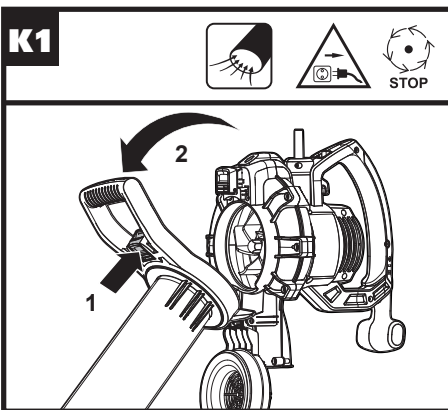
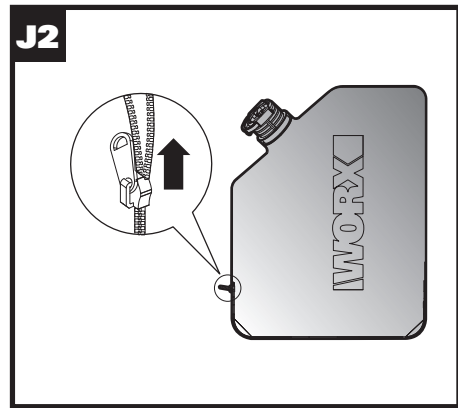
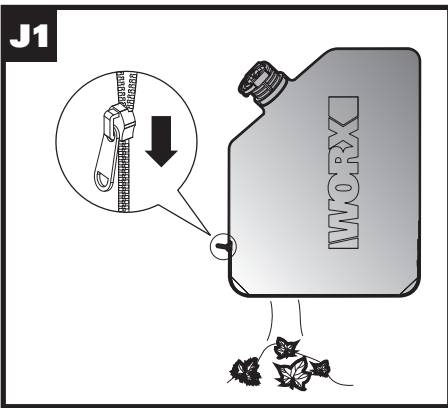
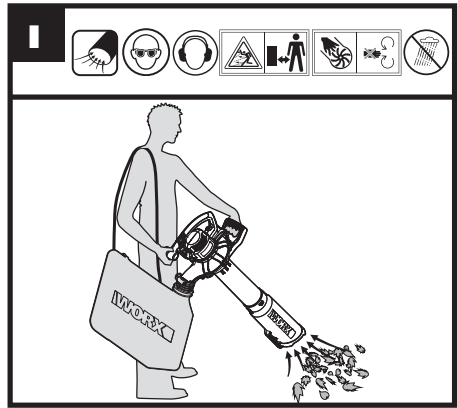
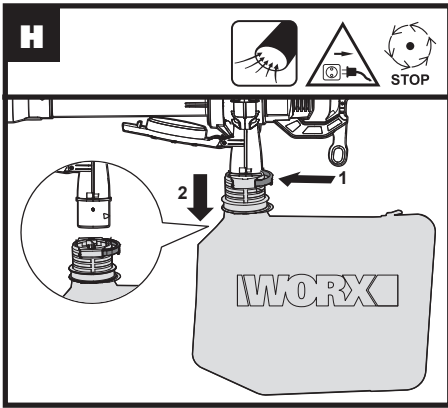
HELPLINE NUMBER
NUMERO DU SERVICE D'ASSISTANCE
NUMERO DE LINEA DE AYUDA
1-866-354-WORX (9679)

WG518









- 1. HANDLE**
- 2. VAC TUBE RELEASE BUTTON**
- 3. UPPER VACUUM TUBE**
- 4. LOWER VACUUM TUBE**
- 5. FAN COVER**
- 6. LEAF COLLECTION BAG**
- 7. ON/OFF SWITCH/2-SPEED SWITCH**
- 8. MOTOR HOUSING**
- 9. UPPER BLOWER TUBE**
- 10. LOWER BLOWER TUBE**
- 11. CONCENTRATOR NOZZLE**
- 12. BLOWER TUBE RELEASE BUTTON**
- 13. EXTENSION CORD RETAINER**


TECHNICAL SPECIFICATIONS

6	Rated Voltage	120V~60Hz
	Rated power	12A
	No load speed	16000 /min
	Airflow	400 cfm
	Air speed	160/250mph
	Mulching ratio	16:1
	Collection bag capacity	1.2 bushels
	Weight	8.8lbs
	Protection class	□ /II

ACCESSORIES


Leaf Collection Bag	1
Concentrator nozzle	1
Vac tube	1
Blower tube	1

We recommend that you purchase your accessories from a WORX authorized dealer or service center. Only use WORX parts and accessories. Refer to the accessory packaging for further details. Store personnel or WORX Customer Service (866-354-WORX) can assist you and offer advice.


 **WARNING:** Some dust created by power sanding, sawing, grinding, drilling and other construction activities contains chemicals known to the state of California to cause cancer, birth defects or other reproductive harm. Some examples of these chemicals are:

- Lead from lead-based paints;
- Crystalline silica from bricks and cement and other masonry products and
- Arsenic and chromium from chemically-treated lumber.

Your risk from these exposures varies, depending on how often you do this type of work. To reduce your exposure to these chemicals: work in a well ventilated area, and work with approved safety equipment, such as those dust masks that are specially designed to filter out microscopic particles.

 **WARNING:** This product may contain lead, phthalate or other chemicals known to the State of California to cause cancer, birth defects and other reproductive harm. Please wash your hands after use.

IMPORTANT SAFETY INSTRUCTIONS

 **WARNING:** When using electric gardening appliances, basic safety precautions should always be followed to reduce the risk of fire, electric shock, and personal injury, including the following:

 **WARNING: Read all instructions**


FOR ALL APPLIANCES

- 1) Avoid Dangerous Environment** - Don't use appliances in damp or wet locations.
- 2) Don't Use In Rain.**
- 3) Keep Children Away** - All visitors should be kept at a distance from work area.
- 4) Dress Properly** - Do not wear loose clothing or jewelry. They can be caught in moving parts. Use of rubber gloves and substantial footwear is recommended when working outdoors. Wear protective hair covering to contain long hair.

5) Use Safety Glasses - Always use face or dust mask if operation is dusty.

6) Use Right Appliance - Do not use appliance for any job except that for which it is intended.

7) Ground Fault Circuit Interrupter (GFCI) protection should be provided on the circuit(s) or outlet(s) to be used for the gardening appliance. Receptacles are available having built-in GFCI protection and may be used for this measure of safety.

8)  WARNING -To reduce the risk of electric shock, use only with an extension cord intended for outdoor use, such as an extension cord of cord type SW-A, SOW-A, STW-A, STOW-A, SJW-A, SJOW-A, SJTW-A. or SJTOW-A.

9) Extension Cord - Make sure your extension cord is in good condition. When using an extension cord, be sure to use one heavy enough to carry the current your product will draw. An undersized extension cord will cause a drop in line voltage resulting in loss of power and overheating. Table 1 shows the correct size to use depending on cord length and nameplate ampere rating. If in doubt, use the next heavier gage. The smaller the gage number, the heavier the cord. To reduce the risk of disconnection of appliance cord from the extension cord during operating:

- i) Make a knot as shown in Figure 1; or
- ii) Use one of the plug-receptacle retaining straps or connectors described in this manual.

10) Avoid Unintentional Starting - Don't carry plugged-in appliance with finger on switch. Be sure switch is off when plugging in.

11) Don't Abuse Cord - Never carry appliance by cord or yank it to disconnect from receptacle. Keep cord from heat, oil, and sharp edges.

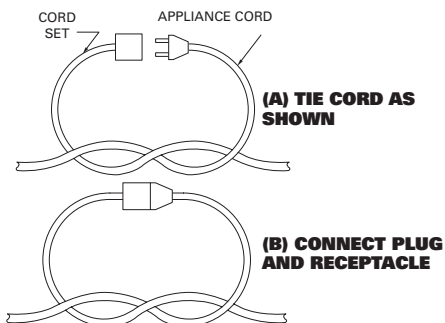
12) Don't Force Appliance - It will do the job better and with less likelihood of a risk of injury at the rate for which it was designed.

- 13) Don't Overreach** - Keep proper footing and balance at all times.
- 14) Stay Alert** - Watch what you are doing. Use common sense. Do not operate appliance when you are tired.
- 15) Disconnect Appliance** - Disconnect the appliance from the power supply when not in use, before servicing, when changing accessories such as blades, and the like.
- 16) Store Idle Appliances Indoors** - When not in use, appliances should be stored indoors in dry, and high or locked-up place - out of reach of children.
- 17) Maintain Appliance With Care** - Follow instructions for lubricating and changing accessories. Inspect appliance cord periodically, and if damaged, have it repaired by an authorized service facility. Inspect extension cords periodically and replace if damaged. Keep handles dry, clean, and free from oil and grease.
- 18) Check Damaged Parts** - Before further use of the appliance, a guard or other part that is damaged should be carefully checked to determine that it will operate properly and perform its intended function. Check for alignment of moving parts, binding of moving parts, breakage of parts, mounting, and any other condition that may affect its operation. A guard or other part that is damaged should be properly repaired or replaced by an authorized service center unless indicated elsewhere in this manual.

12-16	14	12	Not recommended
-------	----	----	-----------------

NOTE: Only the applicable parts of the Table need to be included. For instance, a 120-volt product need not include the 240-volt heading.

Figure 1
Method of securing extension cord



FOR ALL DOUBLE-INSULATED APPLIANCES

1) Replacement Parts

When servicing use only identical replacement parts.

2) Polarized Appliance Connections

To reduce the risk of electric shock, this appliance has a polarized plug (one blade is wider than the other) and will require the use of a polarized extension cord. The appliance plug will fit into a polarized extension cord only one way. If the plug does not fit fully into the extension cord, reverse the plug. If the plug still does not fit, obtain a correct polarized extension cord. A polarized extension cord will require the use of a polarized wall outlet. This plug will fit into the polarized wall outlet only one way. If the plug does not fit fully into the wall outlet, reverse the plug. If the plug still does not fit, contact a qualified electrician to install the proper wall outlet. Do not change the equipment plug, extension cord receptacle, or extension cord plug in any way.

Table 1

Minimum gauge for extension cords

Volts	Total length of cord in feet			
	25	50	100	150
120V	25	50	100	150
240V	50	100	200	300
Ampere rating more than not more than	AWG			
0-6	18	16	16	14
6-10	18	16	14	12
10-12	16	16	14	12

ADDITIONAL SAFETY WARNINGS

IMPORTANT SAFETY INSTRUCTIONS

When using an electrical appliance, basic precautions should always be followed, including the following:












READ ALL INSTRUCTIONS BEFORE USING THIS APPLIANCE

WARNING – To reduce the risk of fire, electric shock, or injury:

- 1) Do not use appliance when plugged in. Unplug from outlet when not in use and before servicing.
- 2) To reduce the risk of electric shock – Do not use on wet surfaces. Do not expose to rain. Store indoors.
- 3) Do not allow to be used as a toy. Close attention is necessary when used by or near children.
- 4) Use only as described in this manual. Use only manufacturer's recommended attachments.
- 5) Do not use with damaged cord or plug. If appliance is not working as it should, has been dropped, damaged, left outdoors, or dropped into water, return it to a service center.
- 6) Do not pull or carry by cord, use cord as a handle, close a door on cord, or pull cord around sharp edges or corners. Do not run appliance over cord. Keep cord away from heated surfaces.
- 7) Do not handle plug or appliance with wet hands.
- 8) Do not put any object into openings. Do not use with any opening blocked; keep free of dust, lint, hair, and anything that may reduce air flow.
- 9) Keep hair, loose clothing, fingers, and all parts of body away from openings and moving parts.
- 10) Turn off all controls before unplugging.
- 11) Use extra care when cleaning on stairs.
- 12) Do not use to pick up flammable or combustible liquids, such as gasoline, or use in areas where they may be present.
- 13) Do not pick up anything that is burning or smoking, such as cigarettes, matches, or hot ashes.
- 14) Do not use without dust bag and/or filters in place.

SAVE THESE INSTRUCTIONS

SYMBOLS

	To reduce the risk of injury, user must read instruction manual
	Wear eye protection
	Wear ear protection
	Double insulation
	Before any work on the machine itself, pull the power plug from the outlet.
	Keep bystanders away
	Warning of hazard
	Do not use in the rain or leave outdoors while it is raining.
	Impeller continues to rotate after the machine is switched off. Wait until all machine components have completely stopped before touching them.
	Blow mode
	Vacuum mode

OPERATION

INTENDED USE:

The blower & Vac is intended for residential use only. Use the blower outdoors to move or vacuum yard debris as needed.

Assembly and Operation

ACTION	FIGURE
Blow mode	
Assembling the Blower Tube	See Fig. A1
Assembling the Concentrator Nozzle	See Fig. A2
Attaching the Extension Cord	See Fig. B1 & B2
Starting & Stopping	See Fig. C
Using the Blower	See Fig. D
Adjusting the Blowing Speed	See Fig. E
Vacuum mode	
Disassembling the Blower	See Fig. F
Assembling the Vacuum Tube	See Fig. G1 & G2 & G3
Attaching the Leaf Collection Bag	See Fig. H
Attaching the Extension Cord	See Fig. B1 & B2
Starting & Stopping	See Fig. C
Using the Vacuum	See Fig. I
Emptying the Leaf Collection Bag	See Fig. J1 & J2
Removing Clogged Debris from the Impeller (no tool included)	See Fig. K1 & K2

STORAGE

Store the Blower/Vacuum and extension cord indoors, in a cool dry location, out of reach of children and animals.

TROUBLE SHOOTING

Problems	Possible Causes	Corrective Action
The Blower/Vac does not operate.	The Vacuum Tube or the Fan Cover is not attached to the Motor Housing.	Attach the Vacuum Tube or the Fan Cover to the Motor Housing.
	Power cord is not connected to the power source.	Connect the power cord to a power source.
The Blower/ Vac jammed or clogged.	Debris blocking in the Impeller	Remove clogged debris from the Impeller.
	Debris blocking in the Blower Tube or the connection of the Leaf Collection Bag	Remove clogged debris from the Blower Tube or the connection of the Leaf Collection Bag

WORX
it's your nature
www.worx.com

Copyright © 2015, Positec. All Rights Reserved.

Copyright © 2015, Positec. Tous droits réservés.

© Derechos reservados 2015, Positec. Todos los derechos reservados.