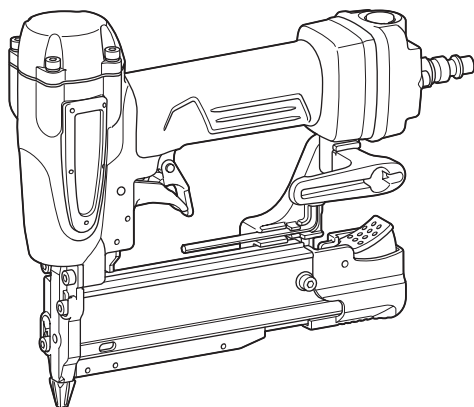


INSTRUCTION MANUAL
MANUEL D'INSTRUCTION
MANUAL DE INSTRUCCIONES



Pneumatic Pin Nailer Aiguilleur Pneumatique Clavadora Neumática para Clavos Delgados

AF353



IMPORTANT: Read Before Using.

IMPORTANT : Lire avant usage.

IMPORTANTE: Lea antes de usar.

SPECIFICATIONS

Model:	AF353
Air pressure	0.45 - 0.69 MPa (65 - 100 PSIG)
Nail length	15, 18, 19, 25, 30, 35 mm (5/8", 11/19", 3/4", 1", 1-3/16", 1-3/8")
Nail capacity	130 pcs.
Minimum hose diameter	6.5 mm (1/4")
Dimensions (L x W x H)	208 mm x 66 mm x 191 mm (8-3/16" x 2-5/8" x 7-1/2")
Net weight	0.9 kg (2.0 lbs)

- Due to our continuing program of research and development, the specifications herein are subject to change without notice.
- Specifications may differ from country to country.
- Weight according to EPTA-Procedure 01/2003

SAFETY WARNINGS

Important safety instructions

For personal safety and proper operation and maintenance of the tool, read this instruction manual carefully before using the tool.

WARNING: WHEN USING THIS TOOL, BASIC SAFETY PRECAUTIONS SHOULD ALWAYS BE FOLLOWED TO REDUCE THE RISK OF PERSONAL INJURY, INCLUDING THE FOLLOWING:

READ ALL INSTRUCTIONS.

Personal Protective Equipment

1. Always wear safety glasses to avoid eye injury from dust or fasteners. The safety glasses should conform with the requirements of ANSI Z87.1.

WARNING: It is an employer's responsibility to enforce the use of safety eye protection equipment by the tool operators and by other persons in the immediate working area.

2. Wear hearing protection to protect your ears against exhaust noise and head protection. Also wear light but not loose clothing. Sleeves should be buttoned or rolled up. No necktie should be worn.

Flammable Atmospheres

1. Do not operate tool in explosive atmospheres, such as in the presence of flammable liquids, gases or combustible dust.

Tool modification

1. The tool should not be modified unless authorized in the tool manual or approved in writing by the tool manufacturer.

Tool maintenance

1. Refer to the tool maintenance instructions for detailed information on the proper maintenance of a tool.

Recommended fasteners and accessories

1. Use only fasteners made or recommended by the tool manufacturer, or fasteners that perform equivalently to those recommended by the manufacturer.
2. Use only accessories made or recommended by the tool manufacturer, or accessories that perform equivalently to those recommended by the manufacturer.

Inspect tool before operating to:

1. Use only power source specified in the instruction manual.
Operate the tool within the specified air pressure on the tool label for safety and longer tool life. Do not exceed the recommended max. operating pressure. The tool should not be connected to a source whose pressure potentially exceeds 1.38 MPa (200 PSIG).
2. Never use the tool with other than compressed air. If bottled gas (carbon dioxide, oxygen, nitrogen, hydrogen, air, etc.) or combustible gas (hydrogen, propane, acetylene, etc.) is used as a power source for this tool, the tool will explode and cause serious injury.
3. Always check the tool for its overall condition and loose screws before operation. Tighten as required.
4. Make sure all safety systems are in working order before operation. The tool must not operate if only the trigger is pulled or if only the contact element is pressed against the wood. It must work only when both actions are performed. Test for possible faulty operation with fasteners unloaded and the contact element in fully pulled position.
5. Always check contact element as instructed in this manual. Fasteners may be driven accidentally if the safety mechanism is not working correctly.

Operating controls

1. Do not use a tool with missing or damaged safety warning label(s.)

2. A tool that is not in proper working order must not be used. Tags and physical segregation shall be used for control.
 3. Do not remove, tamper with, or otherwise cause tool operating controls to become inoperable.
 4. Do not operate tool if any portion of the tool operating controls is inoperable, disconnected, altered, or not working properly.
- Tool handling**
1. Only persons who have read and understand the tool operating/safety instructions should operate the tool.
 2. Always assume that tool contains fasteners.
 3. Do not point tool toward yourself or anyone whether it contains fasteners or not.
 4. Keep bystanders and children away while operating tool.
 5. Do not actuate tool unless tool is placed firmly against the workpiece.
 6. Respect tool as a working implement.
 7. Do not engage in horseplay.
 8. Stay alert, focus on your work and use common sense when working with tools.
 9. Do not use tool while tired, after having consumed drugs or alcohol, or while under the influence of medication.
 10. Do not overreach. Keep proper footing and balance at all times.
 11. Do not hold or carry tool with a finger on the trigger.
 12. Drive fasteners into proper work surface only.
 13. Do not drive fasteners into other fasteners.
 14. After driving a fastener, tool may spring back ("recoil") causing it to move away from the work surface. To reduce risk of injury always manage recoil by:
 - a) always maintaining control of tool.
 - b) allowing recoil to move tool away from work surface.
 - c) not resisting recoil such that tool will be forced back into the work surface. In "Contact Actuation Mode," if workpiece contact is allowed to re-contact work surface before the trigger is released, an unintended discharge of a fastener will occur.
 - d) keeping face and body parts away from tool.
 15. When working close to an edge of a workpiece or at steep angles use care to minimize chipping, splitting or splintering, or free flight or ricochet of fasteners, which may cause injury.
 16. Keep hands and body away from fastener discharge area of tool.
 17. Do not load tool with fasteners when any one of the operating controls is activated.
 18. Do not operate tool with any power source other than that specified in tool operating/safety instructions.
 19. Do not operate tool with any operating pressure other than that specified in tool operating/safety instructions.
 20. Always select an actuation system that is appropriate to the fastener application and the training of the operator.
21. Use extra caution when driving fasteners into existing walls or other blind areas to prevent contact with hidden objects or persons on other side (e.g., wires, pipes.)
 22. Do not lift, pull or lower tool by the hose.
- Disconnecting tool**
- Disconnect tool from the power source when:**
1. Not in use;
 2. Performing any maintenance or repairs;
 3. Clearing a jam;
 4. Elevating, lowering or otherwise moving the tool to a new location;
 5. Tool is outside of the operator's supervision or control; or
 6. Removing fasteners from the magazine.
- Additional safety instructions**
1. The area should be sufficiently illuminated to assure safe operations. The area should be clear and litter-free.
 2. There may be local regulations concerning noise which must be complied with by keeping noise levels within prescribed limits. In certain cases, shutters should be used to contain noise.
 3. Check walls, ceilings, floors, roofing and the like carefully to avoid possible electrical shock, gas leakage, explosions, etc. caused by striking live wires, conduits or gas pipes.
 4. On rooftops and other high locations, drive fasteners as you move forward. It is easy to lose your footing if you drive fasteners while inching backward. When driving against perpendicular surface, drive fasteners from the top to the bottom. You can perform the operations with less fatigue by doing so.
 5. Do not leave the loaded tool or the air compressor under pressure for a long time out in the sun. Be sure that dust, sand, chips and foreign matter will not enter the tool in the place where you leave it setting.
 6. Perform cleaning and maintenance right after finishing the job. Keep the tool in tip-top condition. Lubricate moving parts to prevent rusting and minimize friction-related wear. Wipe off all dust from the parts.
 7. Do not disconnect the air hose with a finger on the trigger. An unexpected driving will cause serious injury when the air hose is connected.
 8. When you drop or strike the tool, check the tool damage or crack and make sure that safety systems are in working order before operation. As there is high pressure inside the tool, failure to do so will cause serious injury.
 9. Ask Makita's Authorized service centers for periodical inspection of the tool.
 10. To maintain product SAFETY and RELIABILITY, maintenance and repairs should be performed by Makita Authorized or Factory Service Centers, always using Makita replacement parts.

SAVE THESE INSTRUCTIONS.

⚠WARNING: MISUSE or failure to follow the safety rules stated in this instruction manual may cause serious personal injury.

Symbols

The followings show the symbols used for tool.



Read and understand tool labels and manual. Failure to follow warnings could result in death or serious injury.

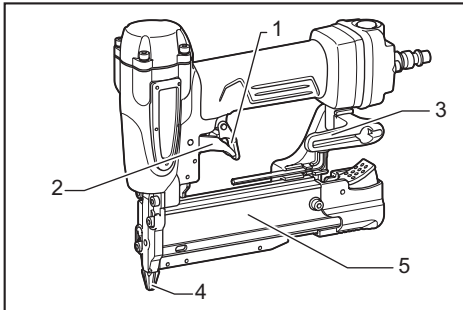


Operators and others in work area must wear safety glasses with side shields.



Keep fingers away from trigger when not driving fasteners to avoid accidental discharge.

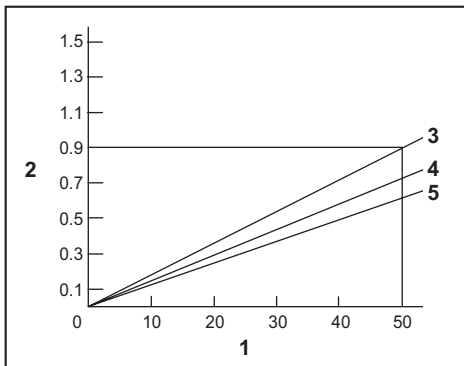
PARTS DESCRIPTION



- 1. Lock lever 2. Trigger 3. Hook 4. Nose adapter
5. Sliding door

INSTALLATION

Selecting compressor



1. Nailing frequency (times/min) 2. Compressor air output per minute (CFM (ft³/min.)) 3. 0.69 MPa (100 PSIG)
4. 0.57 MPa (85 PSIG) 5. 0.45 MPa (65 PSIG)

The air compressor must comply with the requirements of ANSI B19.3.

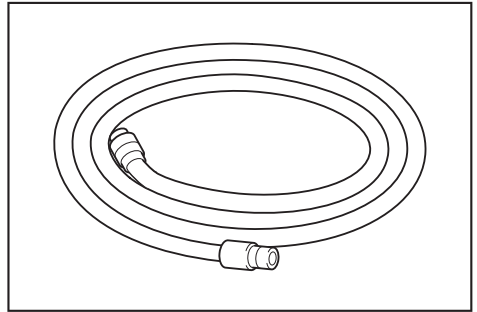
Select a compressor that has ample pressure and air output to assure cost-efficient operation. The graph shows the relation between nailing frequency, applicable pressure and compressor air output.

Thus, for example, if nailing takes place at a rate of approximately 50 times per minute at a compression of 0.69 MPa (100 PSIG), a compressor with an air output over 0.9 CFM (ft³/minute) is required.

Pressure regulators must be used to limit air pressure to the rated pressure of the tool where air supply pressure exceeds the tool's rated pressure. Failure to do so may result in serious injury to tool operator or persons in the vicinity.

Selecting air hose

CAUTION: Low air output of the compressor, or a long or smaller diameter air hose in relation to the nailing frequency may cause a decrease in the driving capability of the tool.

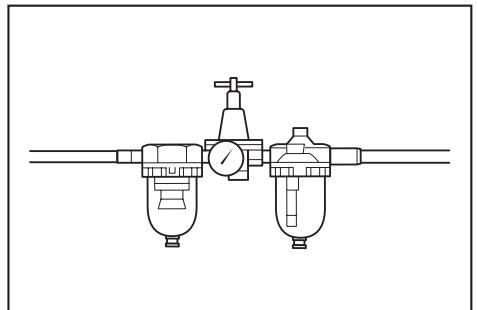


Use an air hose as large and as short as possible to assure continuous, efficient nailing operation.

With an air pressure of 0.49 MPa (70 PSIG), an air hose with an internal diameter of over 6.5 mm (1/4") and a length of less than 20 m (6.6 ft.) is recommended when the interval between each nailing is 0.5 seconds.

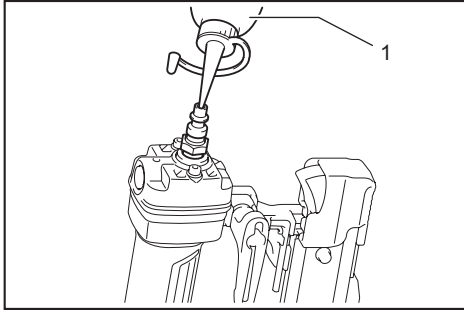
Air supply hoses shall have a minimum working pressure rating of 1.03 MPa (150 PSIG) or 150 percent of the maximum pressure produced in the system which is higher.

Lubrication

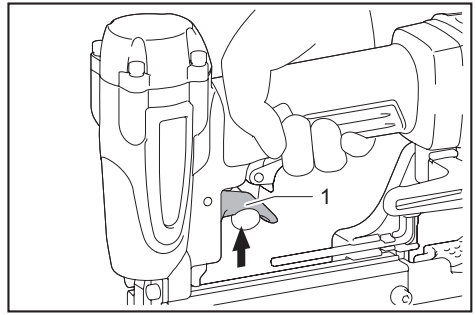


To insure maximum performance, install an air set (oiler, regulator, air filter) as close as possible to the tool. Adjust the oiler so that one drop of oil will be provided for every 50 nails.

When an air set is not used, oil the tool with pneumatic tool oil by placing 2 (two) or 3 (three) drops into the air fitting. This should be done before and after use. For proper lubrication, the tool must be fired a couple of times after pneumatic tool oil is introduced.



► 1. Pneumatic tool oil



► 1. Trigger

Checking safety system

- ⚠WARNING:** Make sure all safety systems are in working order before operation. Failure to do so may cause personal injuries.
- ⚠CAUTION:** Make sure that the tool is not loaded with pin nails.

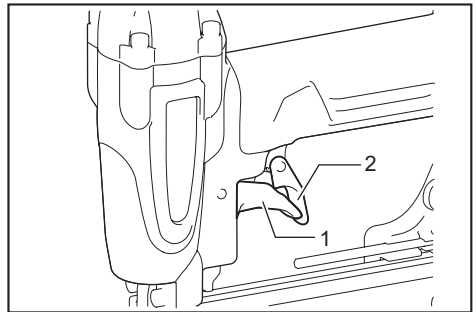
FUNCTIONAL DESCRIPTION

⚠CAUTION: Before adjusting or checking function on the tool, always return the trigger and lock lever and disconnect the hose.

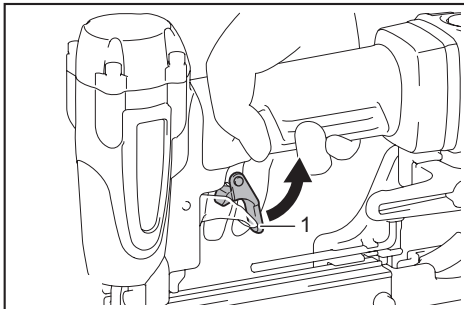
Trigger and lock lever

⚠WARNING: Make sure that your fingers are not placed on the trigger and lock lever when connecting the hose. Otherwise the tool may misfire and result in personal injury.

The tool is equipped with a lock lever to prevent the trigger from pulling accidentally. To drive the pin nails, first pull the lock lever, and then pull the trigger.



► 1. Trigger 2. Lock lever



► 1. Lock lever

Before pin nailing operation, check the safety system as follows:

1. Pull the sliding door of the magazine toward yourself to release the anti dry fire mechanism.
2. Unload the tool.
3. Make sure that you **cannot** pull the trigger when the lock lever is not pulled.
4. Make sure that you can pull the trigger **after** you pull the lock lever.

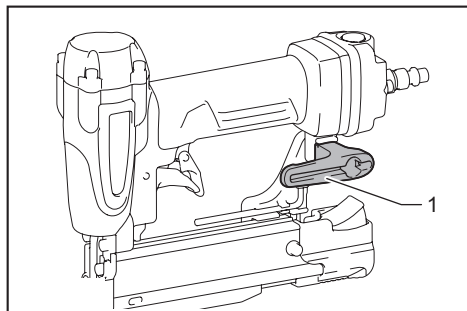
If the tool fails the check above, stop using the tool and ask authorized service center for repairing.

Hook

CAUTION: Make sure that your fingers are not placed on the trigger or lock lever and disconnect the hose from the tool before using the hook.

CAUTION: Never hook the tool at high location or on potentially unstable surface.

CAUTION: Do not hang the hook from the waist belt. If the nailer accidentally drops, it may result in misfiring and personal injuries.

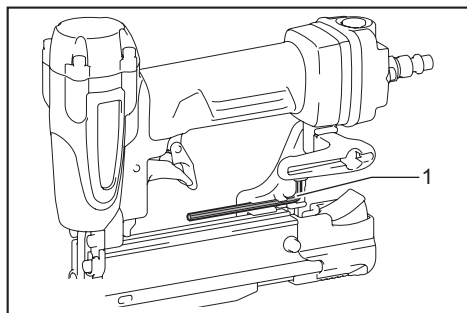


► 1. Hook

The hook is convenient for hanging the tool temporarily.

Hex wrench storage

When not in use, store the hex wrench as shown to keep it from being lost.



► 1. Hex wrench

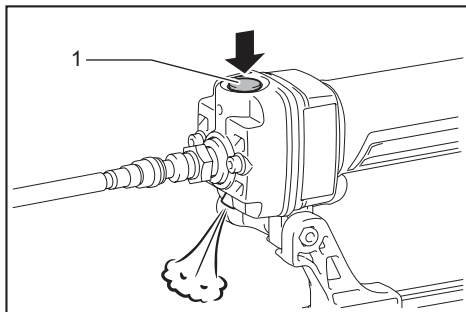
Air duster

CAUTION: Do not aim the ejection port of the air duster to someone. Also, keep your hands and foot away from the ejection port. If the air duster button is accidentally pushed, it may cause a personal injury.

CAUTION: Always check your surroundings before using the air duster. Blown dust or objects may hit someone.

CAUTION: Do not connect or disconnect the air hose while pushing the air duster button.

The air supplied to the tool can also be used as an air duster. You can clean the work area by pressing the button on the grip end.



► 1. Button

NOTICE: After using the air duster, the driving force of the tool will temporarily decline. Wait until the air pressure recovers in this case.

NOTICE: Perform a test blow if you use the air duster immediately after the oil was applied. The oil may be sprayed with the air.

ASSEMBLY

CAUTION: Before carrying out any work on the tool, always return the trigger and lock lever and disconnect the hose.

Loading pin nailer

CAUTION: Hold the sliding door when pressing the unlock button. In case pin nails are loaded in the magazine, the sliding door moves suddenly when pressing the unlock button.

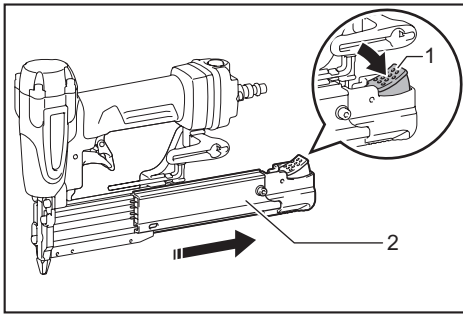
CAUTION: Always move the sliding door slowly and carefully. Accidentally dropping pin nails especially when working in high places may cause personal injuries.

CAUTION: Load the same type, size and uniform length of nails when loading nails in the magazine.

NOTICE: Load pin nails in the correct direction. Loading in wrong direction may cause premature wear and tear of the driver and damage of the other parts.

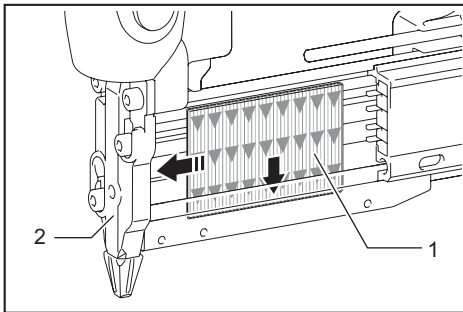
NOTICE: Do not use deformed connected pin nails. Use pin nails specified in this manual. Using pin nails other than those specified may cause pin nail jamming and breakage of the pin nailer.

1. With holding the sliding door, press the unlock button and move the sliding door to open.



► 1. Unlock button 2. Sliding door

2. Place pin nails against the magazine and insert into the slit all the way. Be careful to place pin nails in the right direction.
3. Keeping pin nails in this position, slide these nails all the way into the driver guide.



► 1. Pin nails 2. Driver guide

4. Return the magazine to the original position until unlock button pops up.

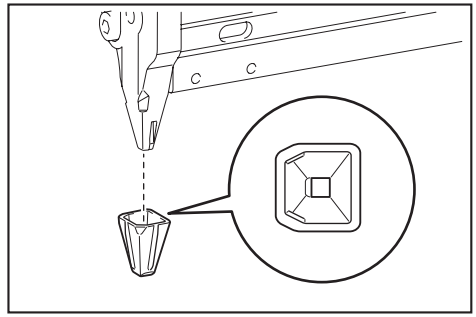
Unloading pin nailer

To remove pin nails, follow the procedures of "Loading pin nailer" in reverse.

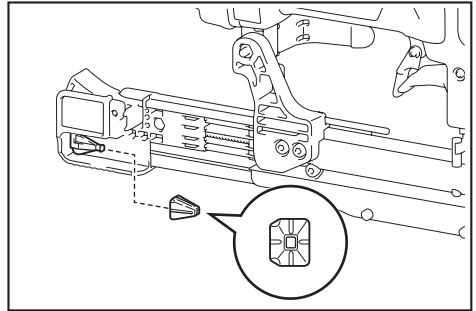
Nose adapter

When driving pin nails on delicate surfaces, use the nose adapter.

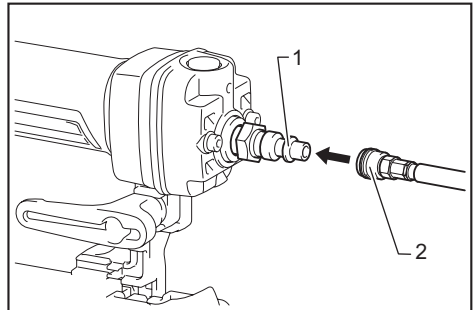
To install the nose adapter, place it over the driver guide cover so that the protrusions inside the nose adapter fit in the driver guide cover.



A spare nose adapter is stored in the holder at the end of the sliding door.



Connecting air hose



► 1. Air fitting 2. Air socket

Slip the air socket of the air hose onto the air fitting on the nailer. Be sure that the air socket locks firmly into position when installed onto the air fitting.

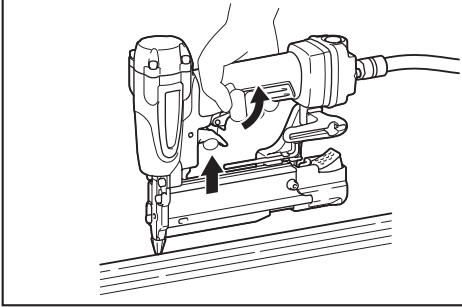
A hose coupling must be installed on or near the tool in such a way that the pressure reservoir will discharge at the time the air supply coupling is disconnected.

OPERATION

CAUTION: Make sure all safety systems are in working order before operation.

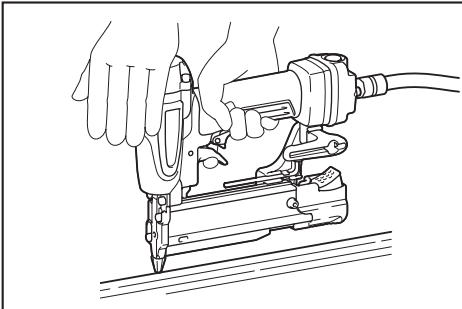
Driving pin nails

WARNING: Make sure to contact the nose against the material before pulling the trigger. Misfiring may result in personal injury.



1. Place the nose on the material flatly, and hold the tool firmly against the material.
2. Pull the lock lever, and pull the trigger fully to drive the pin nail.
3. After driving a pin nail, be sure to release the trigger and lock lever fully.

If the head of driven pin nail remains above the surface of material, hold the pin nailer head firmly when driving the pin nail.



NOTE: When the trigger is pulled after a quick trigger action, the nailer may do nothing but operate momentarily and not fire pin nail. In that case, release the trigger and the lock lever fully before driving the pin nail again.

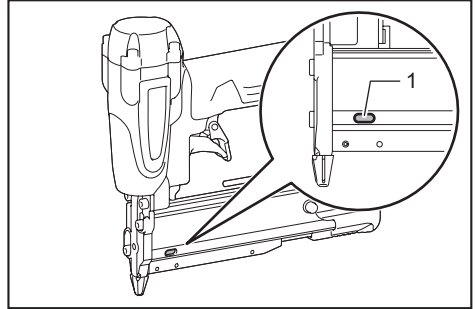
NOTICE: Do not use deformed nails or nail strip. Failure to do so causes poor nail feeding.

Anti dry fire mechanism

This tool is equipped with an anti dry fire mechanism. When there are a few nails remaining in the magazine, the trigger will be locked in the undepressed position to prevent the tool from being activated. When it is activated, load more nails to resume operation.

Empty indicator

When the remaining number of nails in the magazine becomes low, the empty indicator turns to red. Reload the nails when the empty indicator becomes red.

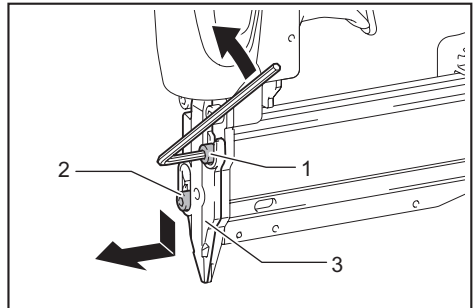


- 1. Empty indicator

Removing jammed pin nails

WARNING: Always return the trigger and lock lever and disconnect the hose before removing jammed nails.

When a pin nail is jammed, remove the pin nail as follows. Make sure to disconnect the hose before removing the jammed nails.



- 1. Bolt (A) 2. Bolt (B) 3. Driver guide cover

1. Take out pin nails that remain inside the magazine.
2. Remove the nose adapter.
3. Loosen bolt (A) and bolt (B) by turning them approximately two turns using the hex wrench provided with the pin nailer.
4. Remove driver guide cover by sliding it.
5. Remove stuck pin nails, debris, adhesives and woodchips etc. from the passage for pin nails.

6. Check the driver guide cover for stuck pin nails or other foreign matters.

7. Return the driver guide cover, secure it with these two bolts, and return the nose adapter.

MAINTENANCE

CAUTION: Always return the trigger and lock lever and disconnect the hose before attempting to perform inspection or maintenance.

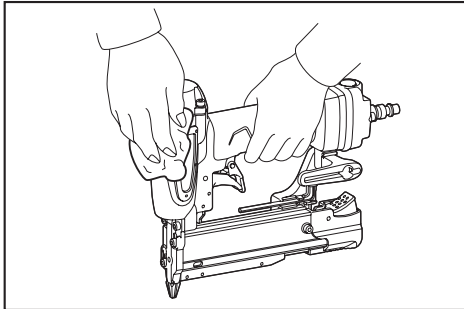
NOTICE: Never use gasoline, benzine, thinner, alcohol or the like. Discoloration, deformation or cracks may result.

Maintenance of nailer

Always check the tool for its overall condition and loose screws before operation. Tighten as required.

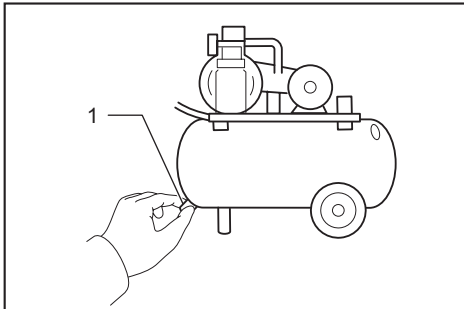
With tool disconnected, make daily inspection to assure free movement of the lock lever and trigger. Do not use tool if the trigger or lock lever sticks or binds.

When the tool is not to be used for an extended period of time, lubricate the tool using pneumatic tool oil and store the tool in a safe place. Avoid exposure to direct sunlight and/or humid or hot environment.

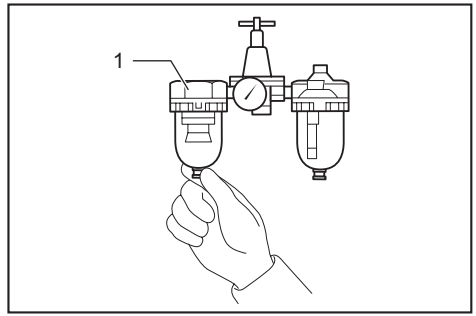


Maintenance of compressor, air set and air hose

After operation, always drain the compressor tank and the air filter. If moisture is allowed to enter the tool, it may result in poor performance and possible tool failure.

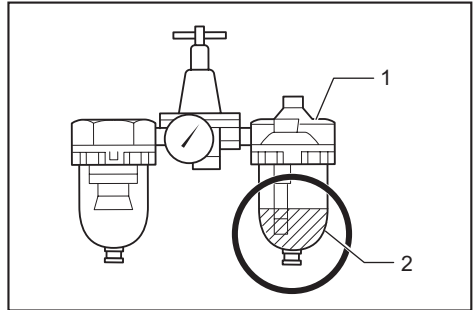


► 1. Drain cock



► 1. Air filter

Check regularly to see if there is sufficient pneumatic oil in the oiler of the air set. Failure to maintain sufficient lubrication will cause O-rings to wear quickly.



► 1. Oiler 2. Pneumatic oil

Keep the air hose away from heat (over 60°C, over 140°F), away from chemicals (thinner, strong acids or alkalis). Also, route the hose away from obstacles which it may become dangerously caught on during operation. Hoses must also be directed away from sharp edges and areas which may lead to damage or abrasion to the hose.

Nails

Handle nail strips and their box carefully. If the nail strips have been handled roughly, they may be out of shape, causing poor nail feed. Avoid storing nails in a very humid or hot place or place exposed to direct sunlight.

To maintain product SAFETY and RELIABILITY, repairs, any other maintenance or adjustment should be performed by Makita Authorized or Factory Service Centers, always using Makita replacement parts.

OPTIONAL ACCESSORIES

⚠ CAUTION: These accessories or attachments are recommended for use with your Makita tool specified in this manual. The use of any other accessories or attachments might present a risk of injury to persons. Only use accessory or attachment for its stated purpose.

If you need any assistance for more details regarding these accessories, ask your local Makita Service Center.

- Pin nails
- Air hose
- Safety goggles

NOTE: Some items in the list may be included in the tool package as standard accessories. They may differ from country to country.

MAKITA LIMITED ONE YEAR WARRANTY

Warranty Policy

Every Makita tool is thoroughly inspected and tested before leaving the factory. It is warranted to be free of defects from workmanship and materials for the period of ONE YEAR from the date of original purchase. Should any trouble develop during this one year period, return the COMPLETE tool, freight prepaid, to one of Makita's Factory or Authorized Service Centers. If inspection shows the trouble is caused by defective workmanship or material, Makita will repair (or at our option, replace) without charge.

This Warranty does not apply where:

- repairs have been made or attempted by others:
- repairs are required because of normal wear and tear:
- the tool has been abused, misused or improperly maintained:
- alterations have been made to the tool.

IN NO EVENT SHALL MAKITA BE LIABLE FOR ANY INDIRECT, INCIDENTAL OR CONSEQUENTIAL DAMAGES FROM THE SALE OR USE OF THE PRODUCT. THIS DISCLAIMER APPLIES BOTH DURING AND AFTER THE TERM OF THIS WARRANTY.

MAKITA DISCLAIMS LIABILITY FOR ANY IMPLIED WARRANTIES, INCLUDING IMPLIED WARRANTIES OF "MERCHANTABILITY" AND "FITNESS FOR A SPECIFIC PURPOSE," AFTER THE ONE YEAR TERM OF THIS WARRANTY.

This Warranty gives you specific legal rights, and you may also have other rights which vary from state to state. Some states do not allow the exclusion or limitation of incidental or consequential damages, so the above limitation or exclusion may not apply to you. Some states do not allow limitation on how long an implied warranty lasts, so the above limitation may not apply to you.

SPÉCIFICATIONS

Modèle :	AF353
Pression d'air	0,45 - 0,69 MPa (65 - 100 PSIG)
Longueur de clou	15, 18, 19, 25, 30, 35 mm (5/8", 11/19", 3/4", 1", 1-3/16", 1-3/8")
Capacité de clouage	130 pièces
Diamètre minimum du tuyau	6,5 mm (1/4")
Dimensions (L x P x H)	208 mm x 66 mm x 191 mm (8-3/16" x 2-5/8" x 7-1/2")
Poids net	0,9 kg (2,0 lbs)

- Étant donné l'évolution constante de notre programme de recherche et de développement, les spécifications contenues dans ce manuel sont sujettes à modification sans préavis.
- Les spécifications peuvent varier suivant les pays.
- Poids conforme à la procédure EPTA du 01/2003

CONSIGNES DE SÉCURITÉ

Consignes de sécurité importantes

Par mesure de sécurité personnelle et pour assurer une utilisation et un entretien adéquats, veuillez lire attentivement ce manuel d'instructions avant d'utiliser l'outil.

MISE EN GARDE : PAR MESURE DE SÉCURITÉ, DES PRÉCAUTIONS DE BASE DOIVENT ÊTRE PRISES LORS DE L'UTILISATION DE CET OUTIL, AFIN DE RÉDUIRE LES RISQUES DE BLESSURE. CES PRÉCAUTIONS COMPRENNENT LES SUIVANTES :

LISEZ TOUTES LES INSTRUCTIONS.

Équipement de protection personnelle

1. Portez toujours des lunettes de sécurité pour éviter les blessures aux yeux au contact de la poussière ou des fixations. Les lunettes de sécurité doivent répondre aux exigences de la norme ANSI Z87.1.
MISE EN GARDE : L'employeur a la responsabilité d'imposer le port d'un dispositif de protection des yeux aux utilisateurs des outils et à toute personne présente dans la zone de travail.
2. Portez une protection d'oreilles pour les protéger contre le bruit d'échappement, et portez un casque de sécurité. Les vêtements portés doivent être légers et ne doivent pas être amples. Veuillez boutonner ou rouler vos manches. Ne portez pas de cravate.

Atmosphères inflammables

1. N'utilisez pas l'outil dans les atmosphères explosives, par exemple en présence de liquides inflammables, de gaz ou de poussières combustibles.

Modification de l'outil

1. L'outil ne doit être modifié que si cela est autorisé dans le manuel de l'outil ou approuvé par écrit par le fabricant de l'outil.

Entretien de l'outil

1. Reportez-vous aux instructions d'entretien de l'outil pour des informations détaillées sur l'entretien adéquat d'un outil.

Fixations et accessoires recommandés

1. Utilisez exclusivement les fixations fabriquées ou recommandées par le fabricant de l'outil, ou des fixations qui offrent un rendement équivalent à celles recommandées par le fabricant.
2. Utilisez exclusivement les accessoires fabriqués ou recommandés par le fabricant de l'outil, ou des accessoires qui offrent un rendement équivalent à ceux recommandés par le fabricant.

Inspectez l'outil avant de l'utiliser :

1. Utilisez uniquement la source d'alimentation spécifiée dans le manuel d'instructions. Utilisez l'outil sans dépasser la pression d'air spécifiée sur l'étiquette de l'outil, pour votre sécurité et pour prolonger la durée de service de l'outil. Ne dépassez pas la pression d'utilisation max. recommandée. L'outil ne doit pas être raccordé à une source dont la pression est susceptible de dépasser 1,38 MPa (200 PSIG).
2. Cet outil doit être exclusivement utilisé avec de l'air comprimé. L'utilisation d'une bouteille de gaz (dioxyde de carbone, oxygène, nitrogène, hydrogène, air, etc.) ou de gaz combustible (hydrogène, propane, acétylène, etc.) comme source d'alimentation de cet outil entraînera une explosion et risque de causer une blessure grave.
3. Avant d'utiliser l'outil, assurez-vous qu'il est en bon état et qu'aucune de ses vis n'est desserrée. Le cas échéant, serrez les vis.

4. Assurez-vous que tous les dispositifs de sécurité sont en état de fonctionner avant d'utiliser l'outil. Il ne faut pas que l'outil s'active lorsque vous appuyez uniquement sur la gâchette ou appuyez simplement l'élément de contact contre le bois. Il ne doit s'activer que lorsque ces deux actions sont exécutées. Retirez les fixations de l'outil et tirez complètement l'élément de contact pour vérifier l'absence de tout vice de fonctionnement.
5. Vérifiez toujours l'élément de contact, tel qu'indiqué dans ce manuel. Des fixations risquent d'être projetées par accident si le mécanisme de sécurité ne fonctionne pas correctement.

Commandes

1. N'utilisez pas un outil dont des étiquettes de mise en garde sont manquantes et abîmées.
2. Un outil qui n'est pas en bon état de marche ne doit pas être utilisé. Des balises et la séparation matérielle seront utilisées pour la commande.
3. Ne retirez pas, ne modifiez pas et ne rendez d'aucune façon les commandes inutilisables.
4. N'utilisez pas l'outil si toute partie des commandes de l'outil est inutilisable, déconnectée, altérée ou défectueuse.

Manipulation de l'outil

1. L'outil ne doit être utilisé que par des personnes qui ont lu et compris les instructions d'utilisation et consignes de sécurité.
2. Supposez toujours que l'outil contient des fixations.
3. Ne pointez pas l'outil vers vous-même ou toute autre personne, peu importe qu'il contienne ou non des fixations.
4. Ne laissez pas approcher les curieux et les enfants pendant que vous utilisez l'outil.
5. N'activez l'outil que s'il est fermement placé contre la pièce à travailler.
6. Respectez l'outil en tant qu'instrument de travail.
7. Évitez tout chahut.
8. Restez alerte, attentif à votre travail et faites preuve de bon sens lorsque vous utilisez des outils.
9. N'utilisez pas l'outil si vous êtes fatigué, avez consommé une drogue ou de l'alcool, ou êtes sous l'effet de médicaments.
10. Ne vous étirez pas trop. Assurez-vous d'une bonne prise au sol et d'un bon équilibre en tout temps.
11. Évitez de tenir ou de transporter l'outil avec un doigt sur la gâchette.
12. Ne posez les fixations que sur une surface à travailler adéquate.
13. Ne posez pas de fixations dans d'autres fixations.
14. Après la pose d'une fixation, il se peut que l'effet de ressort (« recul ») de l'outil l'éloigne de la surface à travailler. Pour réduire les risques de blessure, contrôlez toujours le recul en :
 - a) gardant constamment la maîtrise de l'outil;
 - b) laissant le recul éloigner l'outil de la surface à travailler;
- c) ne résistant pas au recul, afin de ne pas forcer le retour de l'outil sur la surface à travailler. En « Mode de commande par contact », une fixation sera libérée involontairement si vous laissez l'outil retoucher la surface à travailler avant la libération de la gâchette.
- d) gardant le visage et autres parties du corps à l'écart de l'outil.
15. Lorsque vous travaillez près du bord d'une pièce à travailler ou sur des angles prononcés, faites-le prudemment pour réduire les risques d'écaillage, de fendillement ou d'éclatement, ou pour éviter que les fixations ne s'envolent librement ou ricochent, ce qui peut causer des blessures.
16. Gardez les mains et le corps à l'écart de la zone de libération des fixations.
17. Ne mettez pas de fixations dans l'outil pendant que toute commande est activée.
18. Ne faites fonctionner l'outil avec aucune autre source d'alimentation que celle spécifiée dans les instructions d'utilisation et consignes de sécurité de l'outil.
19. Ne faites fonctionner l'outil avec aucune autre pression d'alimentation que celle spécifiée dans les instructions d'utilisation et consignes de sécurité de l'outil.
20. Sélectionnez toujours un système de commande qui convient à l'application de fixation et à la formation reçue par l'utilisateur.
21. Soyez tout particulièrement prudent lorsque vous posez des fixations dans des cloisons existantes ou tout autre matériau dont l'arrière n'est pas visible, pour éviter le contact avec des objets dissimulés (p. ex., des câbles ou tuyaux) ou avec des personnes se trouvant de l'autre côté.
22. Évitez de soulever, tirer ou abaisser l'outil par le tuyau.

Débranchement de l'outil

Débranchez l'outil de la source d'alimentation lorsque :

1. non utilisé;
2. exécution de tout entretien ou réparation;
3. nettoyage d'un blocage;
4. élévation, abaissement ou déplacement de l'outil vers un nouvel emplacement;
5. outil non surveillé ou contrôlé par l'utilisateur; ou
6. retrait des fixations du magasin.

Consignes de sécurité supplémentaires

1. La zone doit être suffisamment éclairée pour assurer un travail sécuritaire. La zone doit être dégagée et sans déchets.
2. Il se peut que des réglementations locales s'appliquent concernant les niveaux de bruit permis. Veuillez les respecter. Le cas échéant, des volets doivent être installés pour réduire le bruit.
3. Pour éviter tout risque de choc électrique, de fuite de gaz, d'explosion, etc., provoqué par le contact avec des fils dénudés, des conduites ou des tuyaux de gaz, vérifiez le mur ou le plafond, le plancher, le toit, etc.

4. Sur les toits et autres endroits élevés, posez les fixations en vous déplaçant vers l'avant. Vous risquez de perdre pied si vous posez les fixations en vous déplaçant à reculons. Lorsque vous posez des fixations sur une surface verticale, faites-le du haut vers le bas. De cette façon le travail sera moins exigeant physiquement.
5. N'abandonnez pas pour une période prolongée un outil chargé ou un compresseur d'air sous pression exposé au soleil à l'extérieur. Assurez-vous de toujours déposer l'outil en un endroit où la poussière, le sable, les copeaux et corps étrangers ne risquent pas d'y pénétrer.
6. Procédez au nettoyage et à l'entretien de l'outil une fois le travail terminé. Maintenez l'outil en excellente condition. Lubrifiez les pièces mobiles pour éviter qu'elles ne rouillent et pour limiter l'usure entraînée par la friction. Retirez toute poussière déposée sur les pièces.
7. Ne déconnectez pas le tuyau d'air avec un doigt posé sur la gâchette. Le déclenchement accidentel causerait une grave blessure au moment du raccordement du tuyau d'air.
8. Si vous échappez ou heurtez l'outil, vérifiez l'absence de dommages ou fissures, et assurez-vous que tous les dispositifs de sécurité sont en état de fonctionner avant d'utiliser l'outil. Comme la pression est élevée à l'intérieur de l'outil, la négligence de cette consigne risque de causer une blessure grave.
9. Confiez régulièrement l'outil à un centre de service après-vente agréé Makita pour une inspection.
10. Pour maintenir la SÉCURITÉ et la FIABILITÉ de l'outil, son entretien et sa réparation doivent être effectués dans un centre de service après-vente agréé ou d'usine Makita, exclusivement avec des pièces de rechange Makita.

CONSERVEZ CE MODE D'EMPLOI.

⚠ MISE EN GARDE : Une MAUVAISE UTILISATION de l'outil ou l'ignorance des consignes de sécurité du présent manuel d'instructions peuvent entraîner une grave blessure.

Symboles

Les symboles utilisés pour l'outil sont indiqués ci-dessous.



Veillez lire et comprendre les étiquettes et le manuel de l'outil. L'ignorance des mises en garde peut entraîner le décès ou une grave blessure.

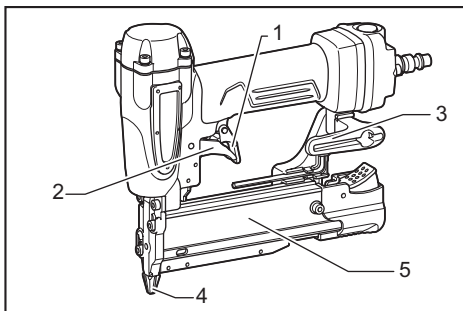


L'utilisateur et toute personne présente dans la zone de travail doivent porter des lunettes de sécurité avec protecteurs latéraux.



Gardez les doigts à l'écart de la gâchette lorsque vous ne posez pas de fixations, pour éviter la libération accidentelle de fixations.

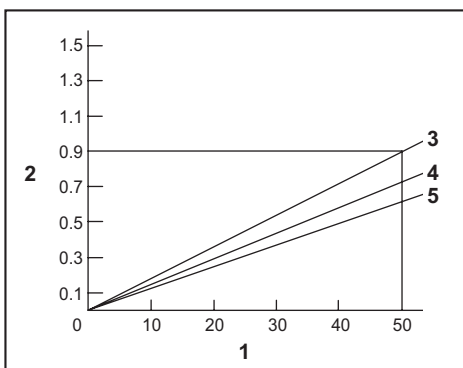
DESCRIPTION DES PIÈCES



- 1. Levier de verrouillage 2. Gâchette 3. Crochet
4. Adaptateur de bec 5. Porte coulissante

POSE

Sélection du compresseur



1. Fréquence de clouage (fois/min) 2. Sortie d'air du compresseur par minute (CFM (ft³/min)) 3. 0,69 MPa (100 PSIG) 4. 0,57 MPa (85 PSIG) 5. 0,45 MPa (65 PSIG)

Le compresseur d'air doit répondre aux exigences de la norme ANSI B19.3.

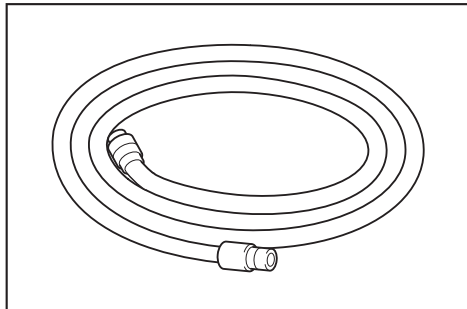
Choisissez un compresseur dont la capacité de pressurisation et de sortie d'air assurera un bon rapport qualité/coût. Le graphique indique la relation entre la fréquence de clouage, la pression applicable et la sortie d'air du compresseur.

Par exemple, pour clouer environ 50 fois par minute avec une compression de 0,69 MPa (100 PSIG), il faudra un compresseur dont la sortie d'air est supérieure à 0,9 CFM (ft³/min).

Un régulateur de pression doit être utilisé pour limiter la pression d'air à la pression nominale de l'outil là où la pression d'air fournie dépasse la capacité nominale de l'outil. Autrement, l'utilisateur et les personnes présentes courent un risque de blessure grave.

Sélection du tuyau d'air

ATTENTION : La capacité d'entraînement de l'outil risque de diminuer si la sortie d'air du compresseur est faible ou si le tuyau d'air est trop long ou d'un diamètre trop petit pour la fréquence de clouage.

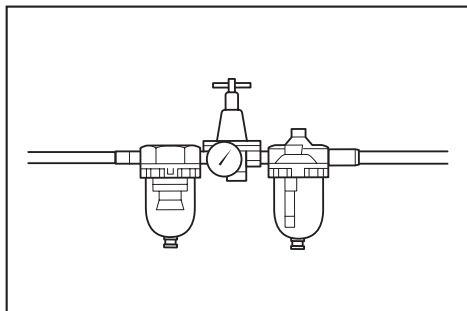


Pour assurer un travail de clouage continu et efficace, le tuyau d'air utilisé doit être le plus gros et le plus court possible.

Lorsque l'intervalle de clouage est de 0,5 seconde et la pression d'air de 0,49 MPa (70 PSIG), il est recommandé d'utiliser un tuyau d'air dont le diamètre interne est supérieur à 6,5 mm (1/4") et la longueur inférieure à 20 m (6,6 ft).

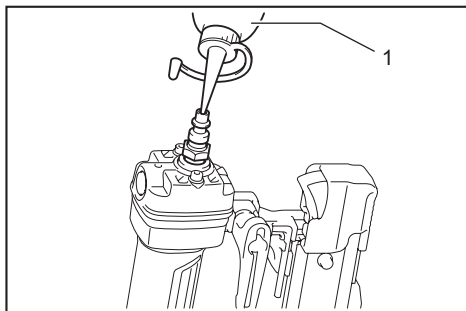
Le tuyau d'alimentation en air doit avoir une pression nominale de travail minimale de 1,03 MPa (150 PSIG) ou de 150 pour cent de la pression maximale produite, la plus élevée de ces valeurs s'appliquant.

Lubrification



Pour assurer un rendement maximal, installez un dispositif d'air (huileur, régulateur, filtre à air) le plus près possible de l'outil. Ajustez le huileur pour qu'il fournisse une goutte d'huile à tous les 50 clous.

Lorsqu'un dispositif d'air n'est pas utilisé, huilez l'outil avec de l'huile pour outil pneumatique en mettant 2 (deux) ou 3 (trois) gouttes dans le raccord d'air. Cela doit être effectué avant et après l'utilisation. Pour assurer une bonne lubrification, il faut faire déclencher l'outil à quelques reprises après avoir introduit l'huile pour outil pneumatique.



► 1. Huile pour outil pneumatique

DESCRIPTION DU FONCTIONNEMENT

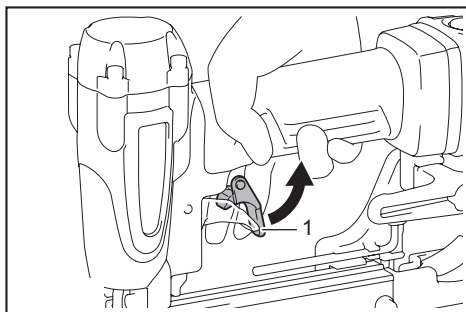
ATTENTION : Avant d'ajuster ou de vérifier le fonctionnement de l'outil, ramenez toujours la gâchette et le levier de verrouillage et déconnectez le tuyau.

Gâchette et levier de verrouillage

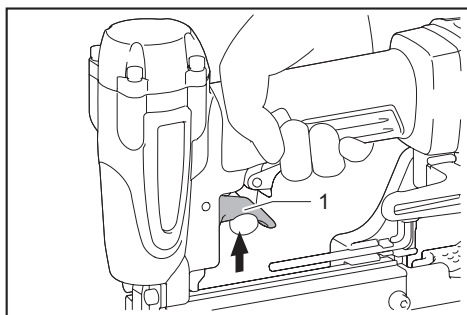
MISE EN GARDE : Lorsque vous raccordez le tuyau, assurez-vous que vos doigts ne sont pas sur la gâchette et le levier de verrouillage. Autrement, l'outil peut se déclencher accidentellement et causer une blessure.

L'outil est équipé d'un levier de verrouillage pour éviter la pression accidentelle sur la gâchette.

Pour entraîner les clous aiguilles, appuyez d'abord sur le levier de verrouillage, puis sur la gâchette.



► 1. Levier de verrouillage

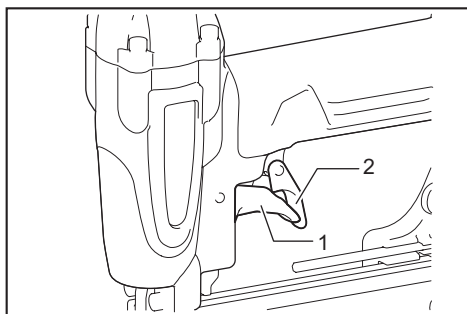


► 1. Gâchette

Vérification du dispositif de sécurité

⚠ MISE EN GARDE : Assurez-vous que tous les dispositifs de sécurité sont en état de fonctionner avant d'utiliser l'outil. Autrement, il y a risque de blessures.

⚠ ATTENTION : Assurez-vous qu'il n'y a pas de clous aigüilles dans l'outil.



► 1. Gâchette 2. Levier de verrouillage

Avant de planter les clous aigüilles, procédez comme suit pour vérifier le dispositif de sécurité :

1. Tirez la porte coulissante du magasin vers vous pour libérer le mécanisme de prévention du déclenchement à vide.
2. Déchargez l'outil.
3. Assurez-vous qu'il **n'est pas possible** d'appuyer sur la gâchette lorsque le levier de verrouillage n'est pas enfoncé.
4. Assurez-vous qu'il est possible d'appuyer sur la gâchette **après** avoir appuyé sur le levier de verrouillage.

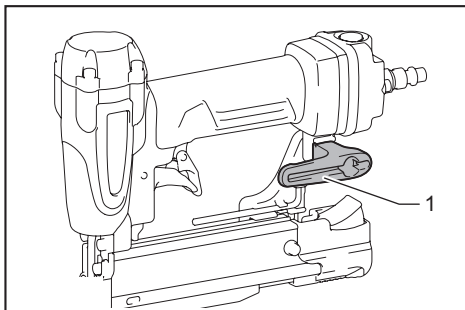
Si l'outil échoue la vérification ci-dessus, cessez d'utiliser l'outil et demandez à un centre de service après-vente agréé de le réparer.

Crochet

⚠ ATTENTION : Avant d'utiliser le crochet, assurez-vous que vos doigts ne sont pas sur la gâchette et le levier de verrouillage, et déconnectez le tuyau de l'outil.

⚠ ATTENTION : N'accrochez jamais l'outil dans un emplacement élevé ou sur une surface potentiellement instable.

⚠ ATTENTION : N'accrochez pas l'outil à un ceinturon. Si la cloueuse est échappée accidentellement, elle risque de se déclencher et de causer des blessures.

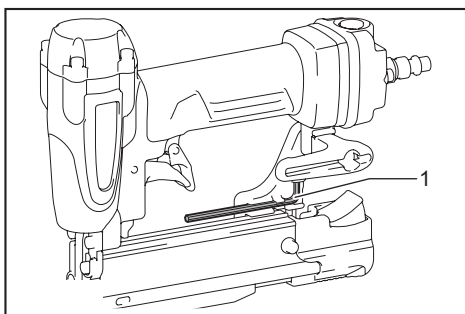


► 1. Crochet

Le crochet est pratique pour accrocher temporairement l'outil.

Rangement de la clé hexagonale

Lorsqu'elle n'est pas utilisée, rangez la clé hexagonale tel qu'illustré pour éviter de la perdre.



► 1. Clé hexagonale

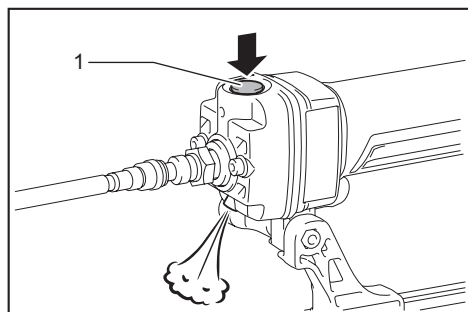
Dispositif de dépoussiérage

⚠ ATTENTION : Ne pointez vers personne la sortie d'éjection du dispositif de dépoussiérage. Gardez aussi vos mains et pieds à l'écart de la sortie d'éjection. Une pression accidentelle sur le bouton du dispositif de dépoussiérage peut entraîner une blessure.

⚠ ATTENTION : Vérifiez toujours les environs avant d'utiliser le dispositif de dépoussiérage. Les poussières ou objets soufflés peuvent frapper quelqu'un.

⚠ ATTENTION : Évitez de connecter ou déconnecter le tuyau d'air tout en appuyant sur le bouton du dispositif de dépoussiérage.

L'air fourni à l'outil peut aussi être utilisé comme dispositif de dépoussiérage. Vous pouvez nettoyer la zone de travail en appuyant sur le bouton à l'extrémité de la poignée.



► 1. Bouton

AVIS : Après l'utilisation du dispositif de dépoussiérage, la puissance d'entraînement de l'outil diminue temporairement. Le cas échéant, attendez que la pression d'air se rétablisse.

AVIS : Effectuez un essai de soufflage si vous utilisez le dispositif de dépoussiérage immédiatement après l'application d'huile. Il se peut que l'huile soit vaporisée par l'air.

ASSEMBLAGE

⚠ ATTENTION : Avant d'effectuer tout travail sur l'outil, ramenez toujours la gâchette et le levier de verrouillage et déconnectez le tuyau.

Chargement de l'aiguilleur

⚠ ATTENTION : Tenez la porte coulissante tout en appuyant sur le bouton de déverrouillage. Si des clous aiguilles sont chargés dans le magasin, la porte coulissante se déplace soudainement lors de la pression sur le bouton de déverrouillage.

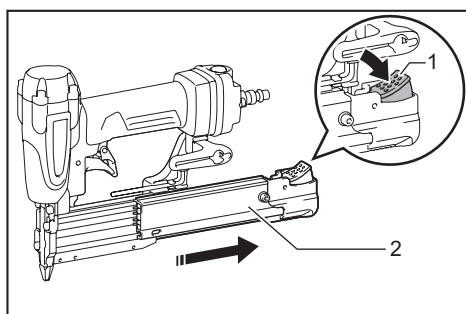
⚠ ATTENTION : Déplacez toujours la porte coulissante lentement et soigneusement. Échapper accidentellement des clous aiguilles, tout spécialement lorsque vous travaillez dans un emplacement élevé, peut causer des blessures.

⚠ ATTENTION : Lorsque vous chargez des clous dans le magasin, ils doivent être du même type, de la même taille et de longueur uniforme.

AVIS : Chargez les clous aiguilles dans le bon sens. Le chargement dans le mauvais sens peut causer l'usure prématurée du dispositif d'entraînement et endommager les autres pièces.

AVIS : N'utilisez pas de clous aiguilles en bande déformés. Utilisez les clous aiguilles spécifiés dans ce manuel. Si d'autres clous aiguilles que ceux spécifiés sont utilisés, ils peuvent se coincer dans l'outil ou abîmer l'aiguilleur.

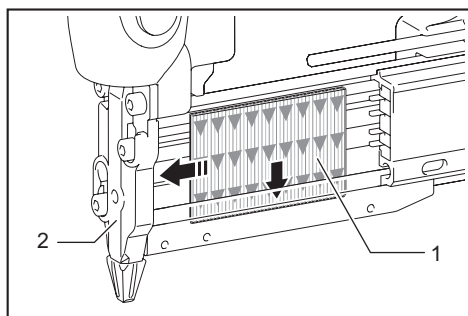
1. Tout en tenant la porte coulissante, appuyez sur le bouton de déverrouillage et déplacez la porte coulissante pour l'ouvrir.



► 1. Bouton de déverrouillage 2. Porte coulissante

2. Placez les clous aiguilles contre le magasin et insérez à fond dans la fente. Prenez soin de placer les clous aiguilles dans le bon sens.

3. En gardant les clous aiguilles dans cette position, faites glisser ces clous à fond dans le guide.



► 1. Clous aiguilles 2. Guide

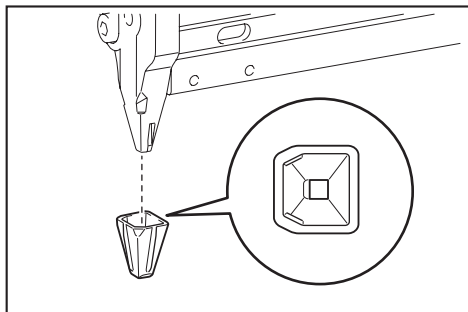
4. Remettez le magasin sur sa position originale, jusqu'à ce que le bouton de déverrouillage jaillisse.

Déchargement de l'aiguilleur

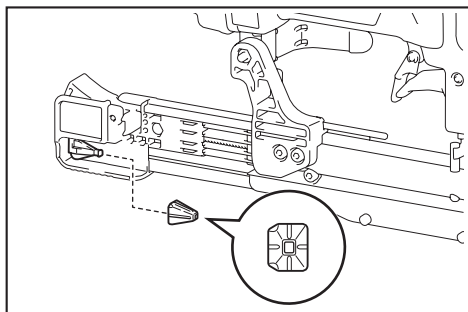
Pour retirer les clous aiguilles, effectuez la procédure inverse du « Chargement de l'aiguilleur ».

Adaptateur de bec

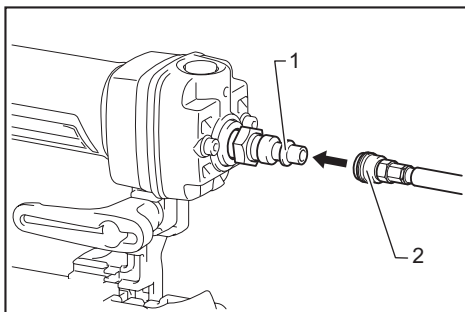
Lorsque vous plantez des clous aiguilles dans des surfaces délicates, utilisez l'adaptateur de bec. Pour installer l'adaptateur de bec, mettez-le sur le couvercle de guide de sorte que les parties saillantes, à l'intérieur de l'adaptateur de bec, pénètrent dans le couvercle de guide.



Un adaptateur de bec de rechange est rangé dans le support à l'extrémité de la porte coulissante.



Raccordement du tuyau d'air



► 1. Raccord d'air 2. Douille à air

Glissez la douille à air du tuyau d'air sur le raccord d'air de la cloueuse. Assurez-vous que la douille à air est verrouillée fermement en position lorsque vous l'installez sur le raccord d'air.

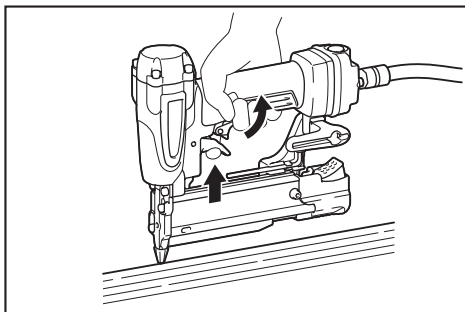
Un raccord à tuyau doit être installé sur ou près de l'outil de sorte que le réservoir de pression se vide au moment de la déconnexion du raccord d'alimentation en air.

UTILISATION

ATTENTION : Assurez-vous que tous les dispositifs de sécurité sont en état de fonctionner avant d'utiliser l'outil.

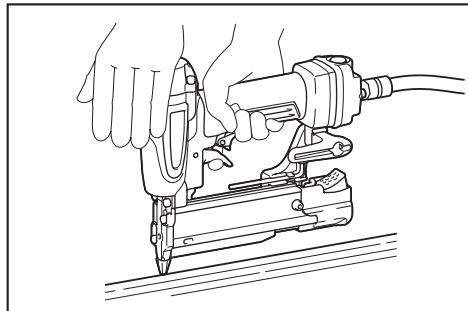
Pose des clous aiguilles

MISE EN GARDE : Assurez-vous de mettre le bec de l'outil en contact avec le matériau avant d'appuyer sur la gâchette. Le déclenchement accidentel peut causer une blessure.



1. Mettez le bec de l'outil à plat sur le matériau, et maintenez l'outil fermement contre le matériau.
2. Appuyez sur le levier de verrouillage, puis enfoncez complètement la gâchette pour planter le clou aiguille.
3. Après avoir planté un clou aiguille, pensez à libérer complètement la gâchette et le levier de verrouillage.

Si la tête du clou aiguille planté dépasse encore de la surface du matériau, tenez la tête de l'aiguilleur fermement lorsque vous plantez le clou aiguille.



NOTE : Si vous réappuyez trop vite sur la gâchette, il se peut que la cloueuse tourne à vide un moment, sans déclencher de clou aiguille. Le cas échéant, libérez complètement la gâchette et le levier de verrouillage avant de planter de nouveau un clou aiguille.

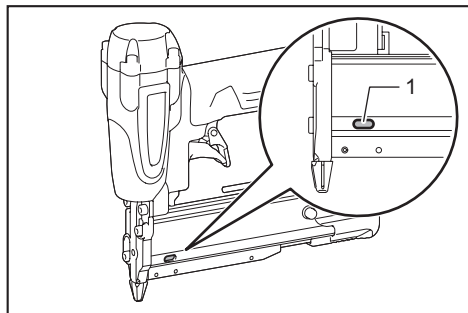
AVIS : N'utilisez pas de clous ou bandes de clous déformés. Autrement, cela causera une mauvaise alimentation en clous.

Mécanisme de prévention du déclenchement à vide

Cet outil est équipé d'un mécanisme de prévention du déclenchement à vide. Lorsqu'il ne reste plus que quelques clous dans le magasin, la gâchette se verrouille en position non-enfoncée pour empêcher l'activation de l'outil. Lorsque ce mécanisme s'active, chargez plus de clous pour poursuivre le travail.

Indicateur de magasin vide

Lorsqu'il reste peu de clous dans le magasin, l'indicateur de magasin vide devient rouge. Chargez de nouveaux clous lorsque l'indicateur de magasin vide devient rouge.

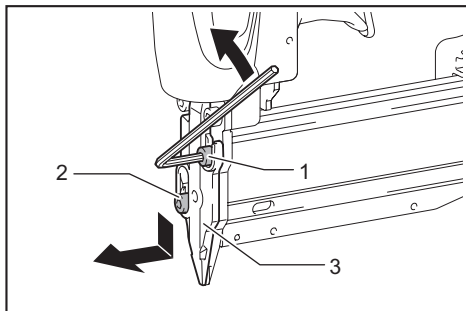


► 1. Indicateur de magasin vide

Retrait des clous aiguilles coincés

⚠ MISE EN GARDE : Avant de retirer des clous coincés, ramenez toujours la gâchette et le levier de verrouillage et déconnectez le tuyau.

Lorsqu'un clou aiguille se coince, retirez-le comme suit. Pensez à déconnecter le tuyau avant de retirer les clous coincés.



► 1. Boulon (A) 2. Boulon (B) 3. Couvercle de guide

1. Enlevez les clous aiguilles restants à l'intérieur du magasin.
2. Retirez l'adaptateur de bec.
3. Desserrez le boulon (A) et le boulon (B) en les tournant d'environ deux tours à l'aide de la clé hexagonale fournie avec l'aiguilleur.
4. Retirez le couvercle de guide en le faisant glisser.
5. Retirez les clous aiguilles coincés, les débris, corps adhérents, copeaux de bois, etc., dans le conduit à clous aiguilles.
6. Vérifiez l'absence de clous aiguilles coincés ou autres corps étrangers dans le couvercle de guide.
7. Remettez en place le couvercle de guide, fixez-le à l'aide de ces deux boulons et remettez en place l'adaptateur de bec.

ENTRETIEN

⚠ ATTENTION : Avant d'effectuer tout travail d'inspection ou d'entretien, ramenez toujours la gâchette et le levier de verrouillage et déconnectez le tuyau.

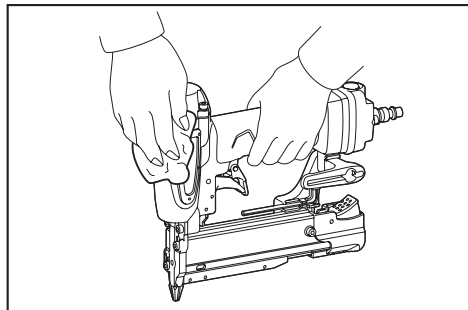
AVIS : N'utilisez jamais d'essence, de benzine, de solvant, d'alcool ou autres produits similaires. Une décoloration, une déformation ou la formation de fissures peuvent en découler.

Entretien de la cloueuse

Avant d'utiliser l'outil, assurez-vous toujours qu'il est en bon état et qu'aucune de ses vis n'est desserrée. Le cas échéant, serrez les vis.

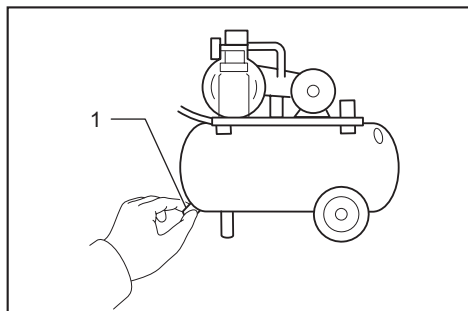
Avec l'outil déconnecté, effectuez une inspection quotidienne pour assurer le libre mouvement du levier de verrouillage et de la gâchette. N'utilisez pas l'outil si la gâchette ou le levier de verrouillage colle ou se coince.

Lorsque l'outil doit rester inutilisé pour une période prolongée, lubrifiez-le avec de l'huile pour outil pneumatique et rangez-le dans un endroit sûr. Évitez de l'exposer aux rayons directs du soleil et/ou à un environnement humide ou chaud.

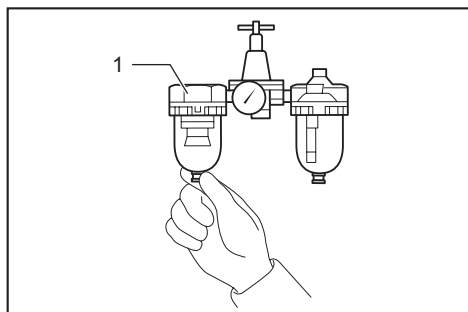


Entretien du compresseur, du dispositif d'air et du tuyau d'air

Après l'utilisation, vidangez toujours le réservoir du compresseur et le filtre à air. Si de l'humidité entrait dans l'outil, cela pourrait entraîner un rendement médiocre et une éventuelle panne de l'outil.

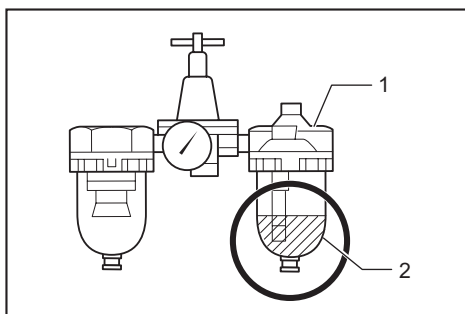


► 1. Robinet de vidange



► 1. Filtre à air

Vérifiez régulièrement s'il y a assez d'huile pneumatique dans le huileur du dispositif d'air. Les joints toriques s'useront rapidement si une lubrification suffisante n'est pas assurée.



► 1. Huileur 2. Huile pneumatique

Gardez le tuyau d'air à l'écart de la chaleur (plus de 60 °C ou 140 °F) et des produits chimiques (diluants, acides puissants ou substances alcalines puissantes). Faites aussi courir le tuyau à l'écart des obstacles où il risquerait de se coincer dangereusement pendant l'utilisation de l'outil. Les tuyaux doivent également être placés à l'écart des bords tranchants et de toute surface pouvant entraîner l'endommagement ou l'abrasion du tuyau.

Clous

Manipulez soigneusement les bandes de clous et leur boîte. Des bandes de clous manipulées brutalement peuvent se déformer, ce qui causera une mauvaise alimentation en clous.

Évitez de ranger les clous dans un emplacement très humide, très chaud ou exposé aux rayons directs du soleil.

Pour maintenir la SÉCURITÉ et la FIABILITÉ du produit, les réparations et tout autre travail d'entretien ou de réglage doivent être effectués dans un centre de service après-vente autorisé ou une usine Makita, exclusivement avec des pièces de rechange Makita.

ACCESSOIRES EN OPTION

⚠ ATTENTION : Ces accessoires ou pièces complémentaires sont recommandés pour l'utilisation avec l'outil Makita spécifié dans ce manuel. L'utilisation de tout autre accessoire ou pièce complémentaire peut comporter un risque de blessure. N'utilisez les accessoires ou pièces complémentaires qu'aux fins auxquelles ils ont été conçus.

Si vous désirez obtenir plus de détails sur ces accessoires, veuillez contacter le centre de service après-vente Makita le plus près.

- Clous aiguilles
- Tuyau d'air
- Lunettes de sécurité

NOTE : Certains éléments de la liste peuvent être inclus avec l'outil comme accessoires standards. Ils peuvent varier suivant les pays.

GARANTIE LIMITÉE D'UN AN DE MAKITA

Politique de garantie

Tous les outils Makita sont soigneusement inspectés et mis à l'essai avant de quitter l'usine. Ils sont garantis contre les vices de fabrication et de matériau pour une période d'UN AN suivant la date de l'achat original. Si un problème survient pendant cette période d'un an, retournez l'outil COMPLET, fret payé d'avance, à une usine ou un centre de service après-vente autorisé Makita. S'il ressort de l'inspection que le problème est dû à un vice de fabrication ou de matériau, Makita réparera (ou remplacera, à son gré) l'outil gratuitement. Cette garantie ne s'applique pas dans les cas où :

- des réparations ont été effectuées ou tentées par un tiers;
- des réparations sont nécessaires en raison de l'usure normale;
- l'outil a été malmené, mal utilisé ou non adéquatement entretenu;
- l'outil a subi des modifications.

MAKITA NE SERA EN AUCUN CAS RESPONSABLE DE TOUS DOMMAGES INDIRECTS, ACCESSOIRES OU CONSÉCUTIFS DE LA VENTE OU DE L'UTILISATION DU PRODUIT. CET AVIS DE NON-RESPONSABILITÉ S'APPLIQUE PENDANT ET APRÈS LA PÉRIODE COUVERTE PAR CETTE GARANTIE.

MAKITA DÉCLINE TOUTE RESPONSABILITÉ QUANT À TOUTES GARANTIES IMPLICITES, Y COMPRIS LES GARANTIES DE « QUALITÉ MARCHANDE » OU D'« ADAPTATION À UN USAGE PARTICULIER » APRÈS LA PÉRIODE DE GARANTIE D'UN AN.

Cette garantie vous donne des droits légaux spécifiques, et vous pouvez également avoir d'autres droits qui varient d'une province à l'autre. Certaines provinces n'autorisant pas l'exclusion ou la restriction des dommages accessoires ou consécutifs, il se peut que la restriction ou l'exclusion ci-dessus ne s'applique pas à vous. Certaines provinces n'autorisant pas de restriction quant à la durée des garanties implicites, il se peut que la restriction ci-dessus ne s'applique pas à vous.

ESPECIFICACIONES

Modelo:	AF353
Presión de aire	0,45 - 0,69 MPa (65 - 100 PSIG)
Longitud del clavo	15, 18, 19, 25, 30, 35 mm (5/8", 11/19", 3/4", 1", 1-3/16", 1-3/8")
Capacidad de clavos	130 piezas
Diámetro mínimo de la manguera	6,5 mm (1/4")
Dimensiones (La x An x Al)	208 mm x 66 mm x 191 mm (8-3/16" x 2-5/8" x 7-1/2")
Peso neto	0,9 kg (2,0 lbs)

- Debido a nuestro programa continuo de investigación y desarrollo, las especificaciones aquí dadas están sujetas a cambios sin previo aviso.
- Las especificaciones pueden variar de país a país.
- Peso de acuerdo al procedimiento de EPTA 01/2003

ADVERTENCIAS DE SEGURIDAD

Instrucciones importantes de seguridad

Por su seguridad personal y para una operación y mantenimiento adecuados de la herramienta, lea este manual de instrucciones atentamente antes de usar la herramienta.

ADVERTENCIA: AL UTILIZAR ESTA HERRAMIENTA, SE DEBEN SEGUIR SIEMPRE LAS PRECAUCIONES DE SEGURIDAD BÁSICAS PARA REDUCIR EL RIESGO DE LESIÓN PERSONAL, ENTRE LAS CUALES SE INCLUYEN LAS SIGUIENTES:

LEA TODAS LAS INSTRUCCIONES.

Equipo de protección personal

1. Siempre use gafas de seguridad para evitar lesiones en los ojos ocasionadas por el polvo o los clavos. Las gafas de seguridad deben cumplir con los requisitos de la norma ANSI Z87.1.

ADVERTENCIA: Es responsabilidad del empleador imponer el uso de equipo de seguridad para la protección de los ojos a los usuarios de las herramientas y demás personas en las inmediaciones del área de trabajo.

2. Use protección para los oídos para protegerlos contra el ruido del escape, así como también debe usarse protección para la cabeza. Además vistase con ropa ligera pero no holgada. Las mangas deben estar abotonadas o arremangadas. No deben usarse corbatas.

Atmósferas inflamables

1. No opere la herramienta en atmósferas explosivas, tal como en la presencia de líquidos, gases o polvo inflamables.

Modificación de la herramienta

1. La herramienta no deberá ser modificada a menos que esté autorizado en el manual de la herramienta o aprobado por escrito por el fabricante de la herramienta.

Mantenimiento de la herramienta

1. Consulte las instrucciones de mantenimiento de la herramienta para ver información detallada sobre el mantenimiento adecuado de la herramienta.

Clavos y accesorios recomendados

1. Utilice solamente clavos hechos o recomendados por el fabricante de la herramienta, o clavos que funcionen de manera similar a los recomendados por el fabricante.
2. Utilice solamente accesorios hechos o recomendados por el fabricante de la herramienta, o accesorios que funcionen de manera similar a los recomendados por el fabricante.

Inspeccione la herramienta antes de la operación para que:

1. Use solamente el suministro de energía especificado en el manual de instrucciones. Opere la herramienta dentro del rango de presión de aire especificado en la etiqueta de la herramienta para garantizar la seguridad y prolongar la vida útil de la herramienta. No exceda la presión de operación máxima recomendada. La herramienta no deberá conectarse a un suministro cuya presión pueda exceder los 1,38 MPa (200 PSIG).
2. Nunca use la herramienta con algo más que no sea aire comprimido. Si se utiliza algún gas embotellado (bióxido de carbono, oxígeno, nitrógeno, hidrógeno, aire, etc.) o algún gas combustible (hidrógeno, propano, acetileno, etc.) como suministro de energía para esta herramienta, ésta explotará y causará graves lesiones.
3. Siempre verifique el estado general de la herramienta, así como si hay tornillos sueltos antes de la operación. Apriete según sea necesario.

4. Asegúrese de que todos los sistemas de seguridad funcionen adecuadamente antes de la operación. La herramienta no deberá ser operada si solamente se ha jalado el gatillo interruptor o si sólo se ha presionado el elemento de contacto contra la madera. Ésta deberá operarse únicamente cuando ambas acciones hayan sido ejecutadas. Compruebe si hay alguna operación defectuosa sin que haya clavos cargados y con el elemento de contacto en la posición completamente retraída.
5. Siempre inspeccione el elemento de contacto tal como se indica en este manual. Los clavos podrían clavarse accidentalmente si el mecanismo de seguridad no está funcionando correctamente.

Controles de operación

1. No utilice una herramienta que no tenga o tenga dañadas la(s) etiqueta(s) de advertencia de seguridad.
2. Una herramienta que no esté en buenas condiciones de funcionamiento no deberá ser utilizada. Los rótulos y la segregación física deberán ser utilizados para el control.
3. No quite ni altere los controles de operación de la herramienta, ni cause de otra manera que éstos se vuelvan inoperables.
4. No opere la herramienta si cualquier sección de los controles de operación de la herramienta está inoperable, desconectada, alterada o no está funcionando apropiadamente.

Manipulación de la herramienta

1. Solamente las personas que hayan leído y entendido las instrucciones de operación/seguridad de la herramienta deberán operar la herramienta.
2. Siempre asuma que la herramienta contiene clavos.
3. No apunte la herramienta hacia usted ni a ninguna persona independientemente de que contenga clavos o no.
4. Mantenga alejados a los niños y demás personas alrededor durante la operación de la herramienta.
5. No accione la herramienta a menos que esté colocada firmemente contra la pieza de trabajo.
6. Trate la herramienta como un utensilio de trabajo.
7. No utilice la herramienta para jugarrear.
8. Manténgase alerta, concéntrese en su trabajo y utilice el sentido común cuando trabaje con herramientas.
9. No utilice la herramienta cuando esté cansado, después de haber consumido drogas o alcohol, o bajo la influencia de medicamentos.
10. No utilice la herramienta donde no alcance. Pise sobre suelo firme y mantenga el equilibrio en todo momento.
11. No sostenga ni cargue la herramienta con el dedo sobre el gatillo interruptor.
12. Coloque los clavos únicamente sobre una superficie de trabajo adecuada.
13. No coloque los clavos sobre otros clavos.

14. Después de colocar un clavo, la herramienta podría saltar hacia atrás (“retroceder”) alejándose de la superficie de trabajo. Para reducir el riesgo de lesiones asociadas con el retroceso, siempre haga lo siguiente:
 - a) mantenga siempre el control sobre la herramienta.
 - b) permita que el retroceso aleje a la herramienta de la superficie de trabajo.
 - c) no resista el retroceso para hacer regresar a la fuerza la herramienta a la superficie de trabajo. En el “Modo de accionamiento por contacto”, si el contacto con la pieza de trabajo es permitido para volver a entrar en contacto con la superficie de trabajo antes de soltar el gatillo interruptor, ocurrirá la descarga accidental de un clavo.
 - d) mantenga la cara y las partes del cuerpo alejados de la herramienta.
15. Cuando trabaje cerca del borde de una pieza de trabajo o en ángulos pronunciados, tenga cuidado para minimizar el astillado, fisura o fragmentación, o que los clavos salgan volando o reboten, pudiendo ocasionar una lesión.
16. Mantenga las manos y el cuerpo alejados del área de descarga de clavos de la herramienta.
17. No cargue la herramienta con los clavos cuando cualquiera de los controles de operación se encuentre activado.
18. No opere la herramienta con un suministro de energía que no sea el especificado en las instrucciones de operación/seguridad de la herramienta.
19. No opere la herramienta con ninguna presión de operación que no sea la especificada en las instrucciones de operación/seguridad de la herramienta.
20. Siempre seleccione un sistema de accionamiento que sea apropiado para la aplicación de clavos y la capacitación del operador.
21. Tenga extrema precaución cuando coloque los clavos en las paredes existentes u otras áreas ciegas para evitar el contacto con objetos ocultos o personas del otro lado (p. ej., cables, tubos).
22. No levante, jale o baje la herramienta tomándola de la manguera.

Desconexión de la herramienta

Desconecte la herramienta del suministro de energía cuando:

1. no la esté usando;
2. realice cualquier tarea de mantenimiento o reparación;
3. despeje algún atascamiento;
4. eleve, baje o mueva de alguna otra forma la herramienta a otro lugar;
5. la herramienta esté fuera de la supervisión o control del operador; o
6. retire los clavos del cartucho.

Instrucciones adicionales de seguridad

1. El área de trabajo debe estar suficientemente iluminada para garantizar la seguridad en las operaciones. El área de trabajo debe estar despejada y limpia.
2. Puede que haya regulaciones locales respecto al ruido las cuales deben cumplirse al mantener los niveles de ruido dentro de los límites preestablecidos. En determinados casos, deberán usarse persianas para contener el ruido.
3. Revise paredes, techos, tejados, pisos y similares con atención para evitar una descarga eléctrica accidental, así como una fuga de gas, explosiones, etc. que sean provocadas por haber insertado el fijador en cables con corriente, tubos o ductos de gas.
4. En los tejados y otros lugares elevados, clave a medida que vaya avanzando hacia adelante. Usted puede perder fácilmente el equilibrio si clava mientras retrocede. Al clavar contra una superficie perpendicular, hágalo de la parte superior a la inferior. Si lo hace así, se fatigará menos al realizar las operaciones.
5. No deje la herramienta cargada o con el compresor de aire funcionando por un tiempo prolongado bajo el sol. Asegúrese de que el polvo, la arena, las astillas o el material extraño no ingrese a la herramienta al dejarla en el lugar que designe.
6. Realice operaciones de limpieza y mantenimiento justo después de haber terminado la labor. Mantenga la herramienta en excelentes condiciones. Lubrique las piezas móviles para prevenir la oxidación y minimizar el desgaste por fricción. Limpie la herramienta y las piezas del polvo.
7. No desconecte la manguera de aire con el dedo sobre el gatillo interruptor. Un clavado inesperado podría causar lesiones graves si la manguera de aire está conectada.
8. Si la herramienta llegara a caerse o golpearse, revise los daños o grietas en la herramienta y asegúrese de que los sistemas de seguridad estén funcionando correctamente antes de la operación. El no hacerlo podría causar lesiones graves debido a la alta presión en el interior de la herramienta.
9. Solicite una inspección periódica de la herramienta en los centros de servicios autorizados de Makita.
10. Para mantener la **SEGURIDAD** y **FIABILIDAD** del producto, las reparaciones y cualquier mantenimiento deberán ser realizados por los centros de servicio autorizados o de fabricación de Makita, usando siempre repuestos Makita.

GUARDE ESTAS INSTRUCCIONES.

⚠ ADVERTENCIA: El USO INCORRECTO o el no seguir las normas de seguridad que se declaran en este instructivo podría resultar en lesiones personales graves.

Símbolos

A continuación se muestran los símbolos utilizados para la herramienta.



Lea y entienda el manual y las etiquetas de la herramienta. El no seguir las advertencias podría ocasionar la muerte o una lesión grave.

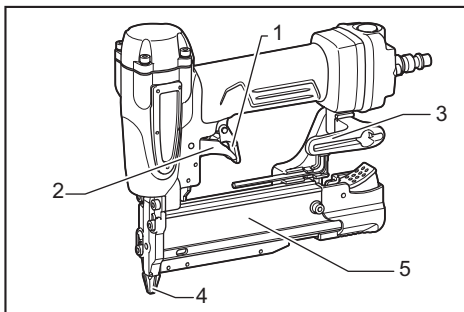


Los operarios y demás personas que se encuentran en el área de trabajo deben usar gafas de seguridad con protección lateral.



Mantenga los dedos alejados del gatillo interruptor cuando no esté colocando clavos a fin de evitar una descarga accidental.

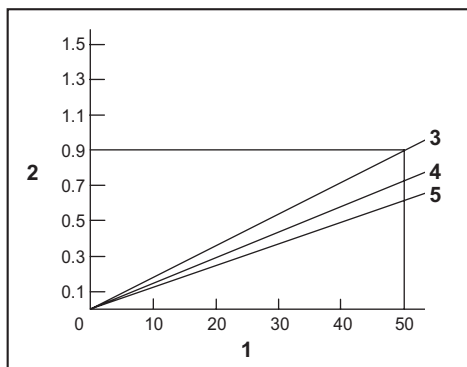
DESCRIPCIÓN DE LAS PIEZAS



- 1. Palanca de bloqueo 2. Gatillo interruptor 3. Gancho 4. Adaptador de boquilla 5. Compuerta corredera

INSTALACIÓN

Selección del compresor



1. Frecuencia de clavado (veces/min) 2. Salida de aire del compresor por minuto (CFM: pies cúbicos por minuto (ft³/min)) 3. 0,69 MPa (100 PSIG) 4. 0,57 MPa (85 PSIG) 5. 0,45 MPa (65 PSIG)

El compresor de aire debe cumplir con los requisitos de ANSI B19.3.

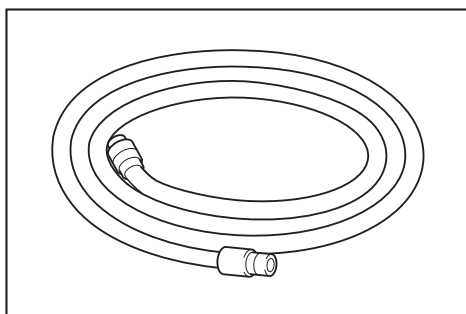
Seleccione un compresor que tenga suficiente presión y salida de aire para garantizar una operación eficiente. El gráfico muestra la relación entre la frecuencia de clavado, la presión aplicable y la salida de aire del compresor.

Así, por ejemplo, si el clavado se lleva a cabo a una velocidad aproximada de 50 veces por minuto a una compresión de 0,69 MPa (100 PSIG), se requerirá un compresor con una salida de aire de más de 0,9 CFM (pies cúbicos por minuto (ft³/min)).

Deben utilizarse reguladores de presión para limitar la presión del aire suministrado cuando éste exceda la presión nominal de la herramienta. El no hacerlo podría causar lesiones graves al operador de la herramienta o a las personas alrededor.

Selección de la manguera de aire

PRECAUCIÓN: Una baja presión en la salida de aire del compresor o una manguera de aire larga o de menor diámetro en relación con la frecuencia de clavado, puede causar una disminución en la capacidad de manejo de la herramienta.

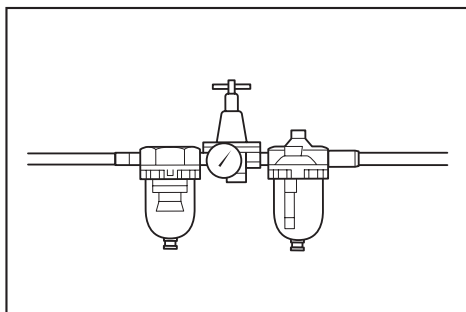


Utilice una manguera de aire tan ancha y tan corta como sea posible para asegurar una operación de clavado continua y eficiente.

Con una presión de aire de 0,49 MPa (70 PSIG), se recomienda una manguera de aire con un diámetro interno de más de 6,5 mm (1/4") y una longitud de menos de 20 m (66 ft) cuando el intervalo entre cada clavado sea de 0,5 segundos.

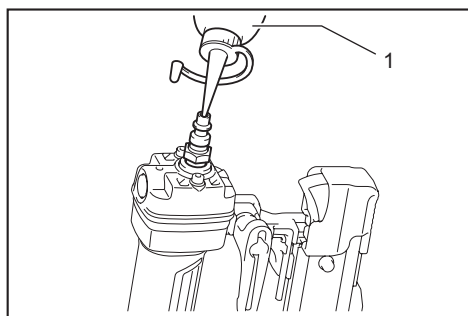
Las mangueras de suministro de aire deben tener una presión nominal de trabajo mínima de 1,03 MPa (150 PSIG) o del 150 por ciento de la presión máxima producida en el sistema, la que resulte más alta.

Lubricación

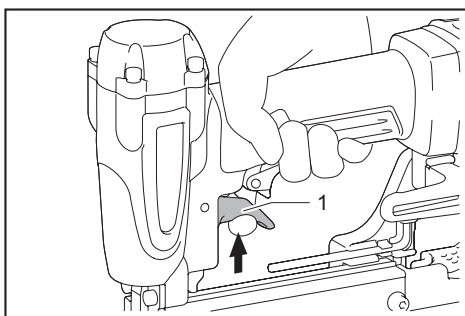


Para garantizar un desempeño óptimo, instale un equipo de aire (lubricador, regulador, filtro de aire) lo más cerca posible de la herramienta. Ajuste el lubricador de manera que suministre una gota de aceite cada 50 clavos.

Cuando no se utilice un equipo de aire, lubrique la herramienta con aceite para herramienta neumática aplicando 2 (dos) o 3 (tres) gotas en el acceso de aire. Esto deberá hacerse antes y después de cada uso. Para una lubricación adecuada, la herramienta deberá dispararse un par de veces después de haber aplicado el aceite para herramienta neumática.



► 1. Aceite para herramienta neumática



► 1. Gatillo interruptor

DESCRIPCIÓN DEL FUNCIONAMIENTO

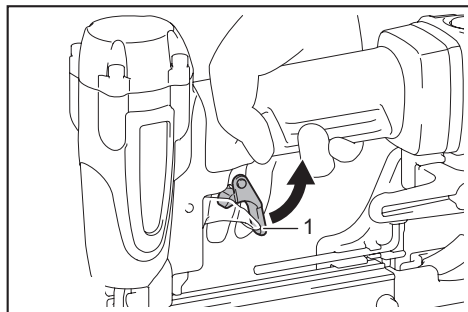
⚠PRECAUCIÓN: Antes de ajustar o verificar el funcionamiento de la herramienta, regrese siempre a su lugar el gatillo interruptor y la palanca de bloqueo y desconecte la manguera.

Gatillo interruptor y palanca de bloqueo

⚠ADVERTENCIA: Asegúrese de no tener sus dedos colocados sobre el gatillo interruptor y la palanca de bloqueo cuando conecte la manguera. De lo contrario, la herramienta podría fallar en el disparo y ocasionar lesiones personales.

La herramienta está equipada con una palanca de bloqueo para evitar que el gatillo interruptor sea jalado accidentalmente.

Para clavar los clavos delgados, primero jale la palanca de bloqueo y luego jale el gatillo interruptor.

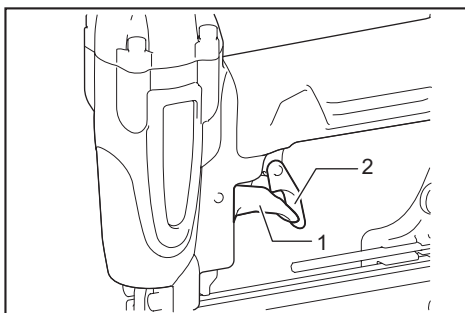


► 1. Palanca de bloqueo

Verificación del sistema de seguridad

⚠ADVERTENCIA: Asegúrese de que todos los sistemas de seguridad funcionen adecuadamente antes de la operación. El no hacerlo podría causar lesiones personales.

⚠PRECAUCIÓN: Asegúrese de que la herramienta no esté cargada con ningún clavo delgado.



► 1. Gatillo interruptor 2. Palanca de bloqueo

Antes de la operación de clavado con clavos delgados, revise el sistema de seguridad como se indica a continuación:

1. Jale la compuerta corrediza del cartucho hacia usted para liberar el mecanismo contra el disparo en seco.
2. Descargue la herramienta.
3. Asegúrese de que **no pueda** jalar el gatillo interruptor si la palanca de bloqueo no es jalada.
4. Asegúrese de que pueda jalar el gatillo interruptor **después de** jalar la palanca de bloqueo.

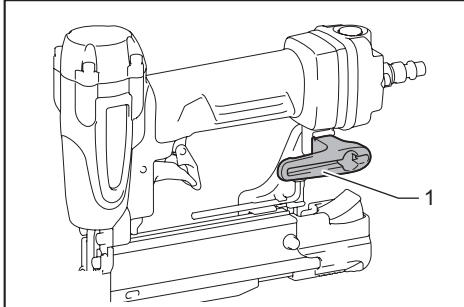
Si la herramienta no funciona tal como se describe arriba, deje de usar la herramienta y solicite su reparación al centro de servicio autorizado.

Gancho

⚠PRECAUCIÓN: Asegúrese de que sus dedos no estén colocados sobre el gatillo interruptor o la palanca de bloqueo y desconecte la manguera de la herramienta antes de usar el gancho.

⚠PRECAUCIÓN: Nunca cuelgue la herramienta con el gancho en un lugar elevado o sobre una superficie que pueda resultar inestable.

⚠PRECAUCIÓN: No cuelgue el gancho del cinturón. Si la clavadora llegara a caer accidentalmente, podría fallar en el disparo y ocasionar lesiones personales.

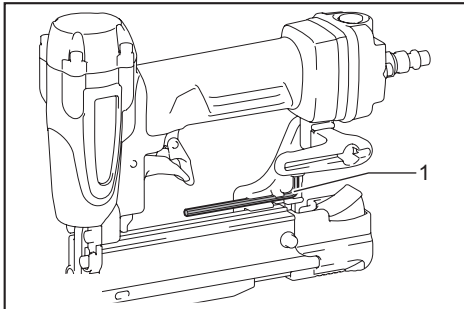


► 1. Gancho

El gancho resulta útil para colgar la herramienta temporalmente.

Almacenamiento de la llave hexagonal

Cuando no la utilice, guarde la llave hexagonal tal como se muestra para evitar que se pierda.



► 1. Llave Allen (hexagonal)

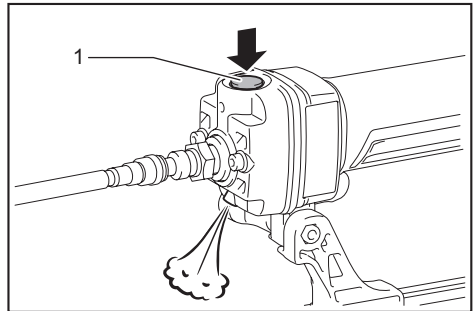
Sacudidor de aire

⚠PRECAUCIÓN: No apunte hacia nadie el puerto de expulsión del sacudidor de aire. Asimismo, mantenga las manos y los pies alejados del puerto de expulsión. Si el botón del sacudidor de aire llega a presionarse por accidente, podrían producirse lesiones personales.

⚠PRECAUCIÓN: Revise siempre los alrededores antes de usar el sacudidor de aire. El polvo u objetos sopladados podrían golpear a alguien.

⚠PRECAUCIÓN: No conecte ni desconecte la manguera de aire mientras presiona el botón del sacudidor de aire.

El aire suministrado a la herramienta también puede utilizarse como un sacudidor de aire. Usted puede limpiar el área de trabajo presionando el botón en el extremo de la empuñadura.



► 1. Botón

AVISO: Después de utilizar el sacudidor de aire, la fuerza de atornillado de la herramienta se reducirá temporalmente. En este caso, espere hasta que la presión de aire se recupere.

AVISO: Realice una prueba de soplado si utiliza el sacudidor de aire inmediatamente después de aplicar el aceite. El aceite puede ser rociado con el aire.

MONTAJE

⚠PRECAUCIÓN: Antes de realizar cualquier trabajo en la herramienta, regrese siempre a su lugar el gatillo interruptor y la palanca de bloqueo y desconecte la manguera.

Cargado de la clavadora para clavos delgados

⚠️ PRECAUCIÓN: Sostenga la compuerta corrediza cuando presione el botón de desbloqueo. Si llega a haber clavos delgados cargados en el cartucho, la compuerta corrediza se moverá repentinamente al presionar el botón de desbloqueo.

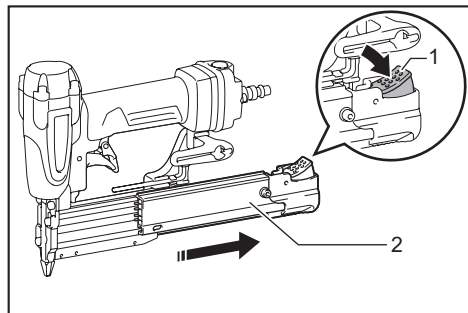
⚠️ PRECAUCIÓN: Mueva siempre la compuerta corrediza lenta y cuidadosamente. El dejar caer los clavos delgados accidentalmente, especialmente al estar trabajando en lugares elevados puede causar lesiones personales.

⚠️ PRECAUCIÓN: Cuando cargue clavos en el cartucho, utilice clavos del mismo tipo y tamaño y de longitud uniforme.

AVISO: Cargue los clavos delgados en la dirección correcta. El cargarlos en la dirección incorrecta podría causar el desgaste prematuro del módulo de clavado y daños a otras piezas.

AVISO: No utilice clavos delgados o sin cabeza deformes conectados. Use los clavos delgados o sin cabeza que se especifican en este manual. Utilizar clavos delgados o sin cabeza distintos a los especificados podría causar el atascamiento de los mismos y la descompostura de la clavadora para clavos delgados.

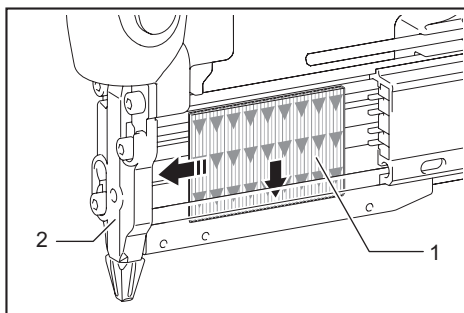
1. Mientras sostiene la compuerta corrediza, presione el botón de desbloqueo y mueva la compuerta corrediza para abrirla.



- 1. Botón de desbloqueo 2. Compuerta corrediza

2. Coloque los clavos delgados o sin cabeza contra el cartucho e insérteles completamente en la abertura. Tenga cuidado de colocar los clavos delgados o sin cabeza en la dirección correcta.

3. Manteniendo los clavos delgados o sin cabeza en esta posición, deslícelos hasta adentro en la guía del atornillador.



- 1. Clavos delgados 2. Guía del atornillador

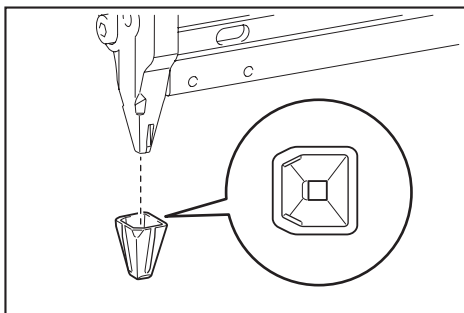
4. Regrese el cartucho a la posición original hasta que el botón de desbloqueo emerja.

Descargado de la clavadora para clavos delgados

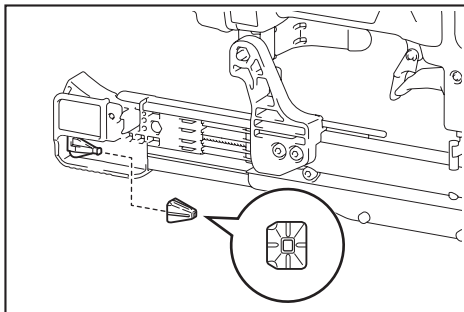
Para retirar los clavos delgados o sin cabeza, siga el procedimiento en la sección "Cargado de la clavadora para clavos delgados" en orden inverso.

Adaptador de boquilla

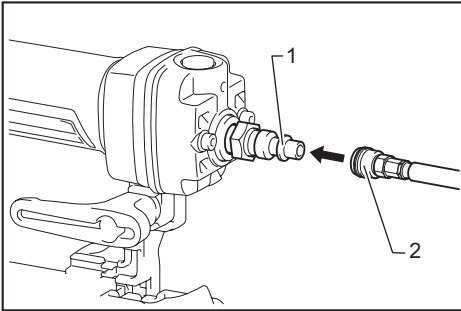
Cuando clave clavos delgados o sin cabeza sobre superficies delicadas, utilice el adaptador de boquilla. Para instalar el adaptador de boquilla, colóquelo sobre la cubierta de la guía del atornillador de manera que las protuberancias en el interior del adaptador de boquilla encajen en la cubierta de la guía del atornillador.



Un adaptador de boquilla de repuesto se almacena en el sujetador en el extremo de la compuerta corrediza.



Conexión de la manguera de aire



► 1. Acceso de aire 2. Conexión de aire

Deslice la conexión de aire de la manguera de aire en el acceso de aire de la clavadora. Asegúrese de que la conexión de aire quede firmemente asegurada en su lugar al instalarse en el acceso de aire.

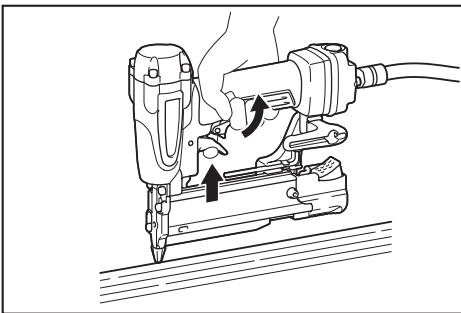
Debe instalarse un acoplador de manguera sobre o cerca de la herramienta de tal forma que el contenedor de presión se descargue al momento en que el acoplador del suministro de aire se desconecte.

OPERACIÓN

PRECAUCIÓN: Asegúrese de que todos los sistemas de seguridad funcionen adecuadamente antes de la operación.

Clavado de clavos delgados o sin cabeza

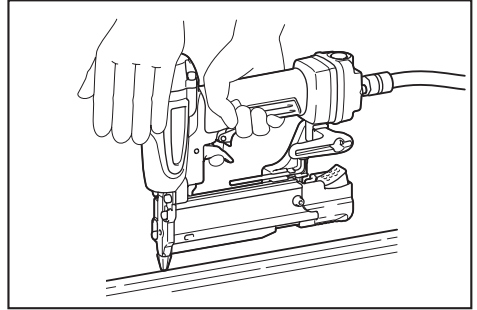
ADVERTENCIA: Asegúrese de que la boquilla haga contacto contra el material antes de jalar el gatillo interruptor. Podría haber una falla en el disparo y ocasionar lesiones personales.



1. Coloque la boquilla completamente sobre el material y sostenga la herramienta firmemente contra el material.
2. Jale la palanca de bloqueo y luego jale el gatillo interruptor por completo para clavar el clavo delgado o sin cabeza.

3. Después de clavar un clavo delgado o sin cabeza, asegúrese de soltar el gatillo interruptor y la palanca de bloqueo completamente.

Si la cabeza del clavo delgado clavado permanece sobre la superficie del material, sostenga la cabeza de la clavadora para clavos delgados firmemente al clavar el clavo delgado o sin cabeza.



NOTA: Cuando el gatillo interruptor haya sido jalado después de un accionamiento rápido del gatillo interruptor, la clavadora podrá no hacer nada pero operará momentáneamente sin disparar el clavo delgado o sin cabeza. En este caso, suelte el gatillo interruptor y la palanca de bloqueo completamente antes de clavar nuevamente el clavo delgado o sin cabeza.

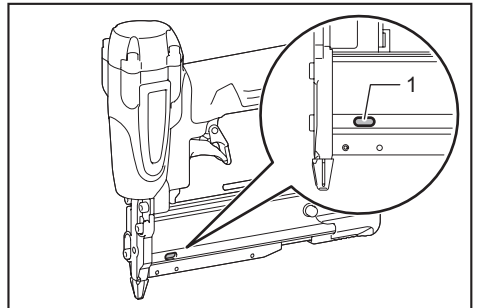
AVISO: No utilice clavos ni una tira de clavos deformes. El hacerlo podría causar una alimentación de clavos deficiente.

Mecanismo contra el disparo en seco

Esta herramienta está equipada con un mecanismo contra el disparo en seco. Cuando queden pocos clavos en el cartucho, el gatillo interruptor será bloqueado en la posición no presionada para evitar que la herramienta sea activada. Una vez activada, cargue más clavos para reiniciar la operación.

Indicador de cargador vacío

Cuando el número restante de clavos en el cartucho es bajo, el indicador de cargador vacío se pone en rojo. Recargue los clavos cuando el indicador de cargador vacío se ponga en rojo.

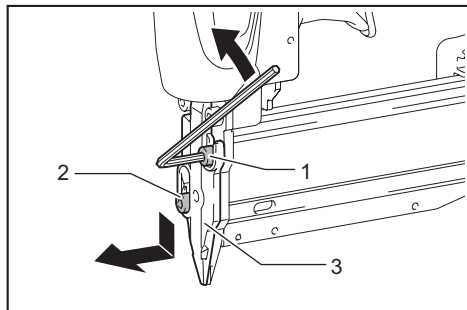


► 1. Indicador de cargador vacío

Extracción de clavos delgados o sin cabeza atascados

⚠️ ADVERTENCIA: Siempre regrese el gatillo interruptor y la palanca de bloqueo a su lugar y desconecte la manguera antes de extraer los clavos atascados.

Cuando un clavo delgado o sin cabeza esté atascado, retire el clavo delgado o sin cabeza tal como se indica a continuación. Asegúrese de desconectar la manguera antes de extraer los clavos atascados.



► 1. Perno (A) 2. Perno (B) 3. Cubierta de la guía del atornillador

1. Saque los clavos delgados o sin cabeza que permanezcan en el interior del cartucho.
2. Retire el adaptador de boquilla.
3. Afloje el perno (A) y el perno (B) girándolos aproximadamente dos vueltas con la llave hexagonal proporcionada con la clavadora para clavos delgados.
4. Retire la cubierta de la guía del atornillador deslizándola.
5. Quite los clavos delgados o sin cabeza atascados, los residuos, adhesivos y astillas, etc. del acceso para clavos delgados o sin cabeza.
6. Verifique que no haya clavos delgados o sin cabeza atascados en la cubierta de la guía del atornillador ni algún otro material extraño.
7. Vuelva a colocar la cubierta de la guía del atornillador, asegúrela con estos dos pernos y coloque de nuevo el adaptador de boquilla.

MANTENIMIENTO

⚠️ PRECAUCIÓN: Regrese siempre a su lugar el gatillo interruptor y la palanca de bloqueo y desconecte la manguera antes de intentar hacer una inspección o una tarea de mantenimiento.

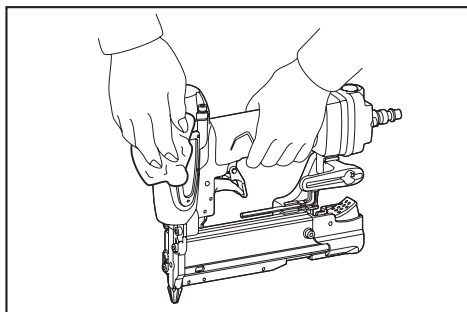
AVISO: Nunca use gasolina, bencina, diluyente (tíner), alcohol o sustancias similares. Puede que esto ocasione grietas o descoloramiento.

Mantenimiento de la clavadora

Verifique siempre el estado general de la herramienta así como que no haya tornillos sueltos antes de la operación. Apriete según sea necesario.

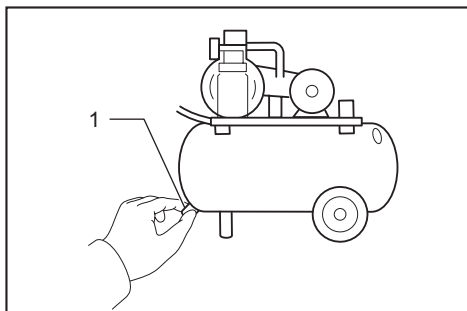
Con la herramienta desconectada, efectúe una inspección diaria para asegurar el libre movimiento de la palanca de bloqueo y el gatillo interruptor. No utilice la herramienta si el gatillo interruptor o la palanca de bloqueo se quedan pegados o adheridos.

Cuando no vaya a usar la herramienta durante un período prolongado de tiempo, lubrique la herramienta usando aceite para herramienta neumática y almacene la herramienta en un lugar seguro. Evite la exposición a la luz directa del sol y/o a un ambiente húmedo o cálido.

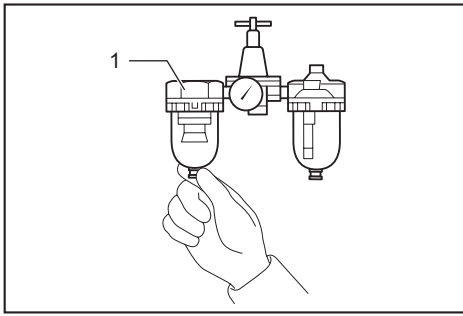


Mantenimiento del compresor, el equipo de aire y la manguera de aire

Tras la operación, drene siempre el tanque del compresor y el filtro de aire. Si se deja que ingrese humedad a la herramienta, esto puede ocasionar un desempeño deficiente y una posible falla de la herramienta.

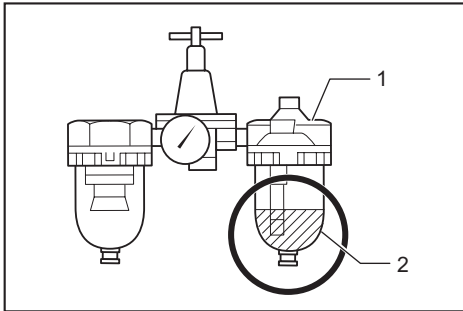


► 1. Llave de drenaje



► 1. Filtro de aire

Revise regularmente si hay suficiente aceite neumático en el lubricador del equipo de aire. El no mantener una lubricación suficiente ocasionará que los anillos en O se desgasten rápidamente.



► 1. Lubricador 2. Aceite neumático

Mantenga la manguera de aire alejada del calor (más de 60°C, más de 140°F), lejos de las sustancias químicas (diluyente, ácidos o álcalis fuertes). Además, oriente la manguera lejos de los obstáculos en los que podría quedar peligrosamente atrapada durante la operación. Las mangueras deben también orientarse lejos de bordes filosos y áreas que podrían causarles daños o desgastes.

Clavos

Manipule las tiras de clavos y su caja con cuidado. Si las tiras de clavos son manipuladas bruscamente, podrían perder su forma ocasionando una alimentación de clavos deficiente.

Evite almacenar los clavos en lugares muy húmedos o calientes o expuestos a la luz directa del sol.

Para mantener la SEGURIDAD y FIABILIDAD del producto, las reparaciones, y cualquier otra tarea de mantenimiento o ajuste deberán ser realizadas en centros de servicio autorizados o de fábrica Makita, empleando siempre repuestos Makita.

ACCESORIOS OPCIONALES

⚠PRECAUCIÓN: Estos accesorios o aditamentos están recomendados para utilizarse con su herramienta Makita especificada en este manual. El empleo de cualquier otro accesorio o aditamento puede conllevar el riesgo de lesiones personales. Utilice los accesorios o aditamentos solamente para su fin establecido.

Si necesita cualquier ayuda para más detalles en relación con estos accesorios, pregunte a su centro de servicio local Makita.

- Clavos delgados
- Manguera de aire
- Gafas de seguridad

NOTA: Algunos de los artículos en la lista pueden incluirse en el paquete de la herramienta como accesorios estándar. Éstos pueden variar de país a país.

GARANTÍA LIMITADA DE UN AÑO DE MAKITA

Ésta Garantía no aplica para México Política de garantía

Cada herramienta Makita es inspeccionada y probada exhaustivamente antes de salir de la fábrica. Se garantiza que está libre de defectos de mano de obra y materiales por el período de UN AÑO a partir de la fecha original de compra. Si durante este período de un año se desarrollara algún problema, devuelva la herramienta COMPLETA, con el envío prepago, a un centro de servicio autorizado o de fábrica Makita. Si la inspección muestra que el problema ha sido a causa de un defecto de mano de obra o material, Makita hará la reparación (o a su discreción, el reemplazo) sin ningún cargo. Esta garantía no aplica cuando:

- las reparaciones se hayan hecho o intentado hacer por otros;
- se requieran reparaciones debido al desgaste normal;
- la herramienta haya sido maltratada, recibido un mal uso o haya recibido un mantenimiento inapropiado;
- se hayan hecho modificaciones a la herramienta.

EN NINGÚN CASO MAKITA SE HARÁ RESPONSABLE DE NINGÚN DAÑO INDIRECTO, INCIDENTAL, O DERIVADO DE LA VENTA O USO DEL PRODUCTO. ESTE DESCARGO DE RESPONSABILIDAD APLICA DURANTE Y DESPUÉS DEL PLAZO DE ESTA GARANTÍA. MAKITA RENUNCIA A LA RESPONSABILIDAD POR CUALQUIER GARANTÍA IMPLÍCITA, INCLUYENDO GARANTÍAS DE "COMERCIALIZACIÓN" Y "ADECUACIÓN PARA UN PROPÓSITO ESPECÍFICO", DESPUÉS DEL PLAZO DE UN AÑO DE ESTA GARANTÍA.

Esta garantía le concede derechos legales específicos y usted podrá tener también otros derechos que varían de un estado a otro. Algunos estados no permiten la exclusión o limitación de daños incidentales o consecuentes, por lo que la limitación o exclusión arriba mencionada podría no aplicar para usted. Algunos estados no permiten la limitación sobre la duración de una garantía implícita, por lo que la limitación arriba mencionada podría no aplicar para usted.

< USA only >

WARNING

Some dust created by power sanding, sawing, grinding, drilling, and other construction activities contains chemicals known to the State of California to cause cancer, birth defects or other reproductive harm. Some examples of these chemicals are:

- lead from lead-based paints,
- crystalline silica from bricks and cement and other masonry products, and
- arsenic and chromium from chemically-treated lumber.

Your risk from these exposures varies, depending on how often you do this type of work. To reduce your exposure to these chemicals: work in a well ventilated area, and work with approved safety equipment, such as those dust masks that are specially designed to filter out microscopic particles.

< Sólo en los Estados Unidos >

ADVERTENCIA

Algunos polvos creados por el lijado, aserrado, esmerilado, taladrado y otras actividades de la construcción contienen sustancias químicas reconocidas por el Estado de California como causantes de cáncer, defectos de nacimiento y otros peligros de reproducción. Algunos ejemplos de estos productos químicos son:

- plomo de pinturas a base de plomo,
- sílice cristalino de ladrillos y cemento y otros productos de albañilería, y
- arsénico y cromo de maderas tratadas químicamente.

El riesgo al que se expone varía, dependiendo de la frecuencia con la que realice este tipo de trabajo. Para reducir la exposición a estos productos químicos: trabaje en un área bien ventilada y póngase el equipo de seguridad indicado, tal como las máscaras contra polvo que están especialmente diseñadas para filtrar partículas microscópicas.

Makita Corporation

3-11-8, Sumiyoshi-cho,
Anjo, Aichi 446-8502 Japan

www.makita.com

AF353-NA3-1215
AF353-1
EN, FRCA,
ESMX
20160218