

### Features

- KOHLER cast iron
- Acid-resistant enamel finish
- Faucet and soap dish drillings
- 3' (91.4 cm)

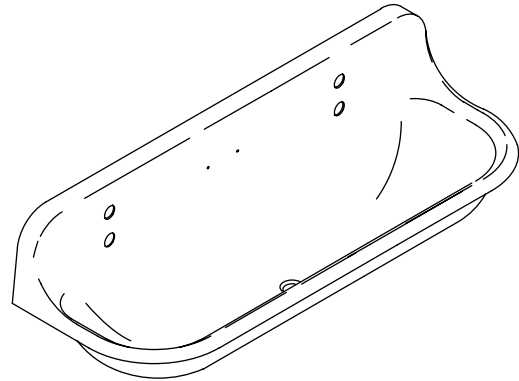
**WASH SINK  
K-3200**

**ADA**

### Codes/Standards Applicable

Specified model meets or exceeds the following:

- ADA
- ASME A112.19.1
- IAPMO/UPC
- CSA International
- State of Massachusetts



### Colors/Finishes

- 0: White

### Accessories

- CP: Polished Chrome
- BC: Bright Chrome
- RP: Rough Plate

### Specified Model

| Model  | Description            | Colors/Finishes            |
|--------|------------------------|----------------------------|
| K-3200 | 3' (91.4 cm) wash sink | <input type="checkbox"/> 0 |

| Recommended Accessories |                               |                             |
|-------------------------|-------------------------------|-----------------------------|
| K-8820                  | 1-1/2" (3.8 cm) sink strainer | <input type="checkbox"/> CP |
| K-8880                  | Soap dish                     | <input type="checkbox"/> BC |
| K-8892                  | Wash sink faucet              | <input type="checkbox"/> RP |

### Product Specification

The wash sink shall be 3' (91.4 cm) in length. Sink shall be made of cast iron with acid resistance enamel finish. Sink shall have faucet and soap dish drillings. Sink shall be Kohler Model K-3200-\_\_\_\_\_.

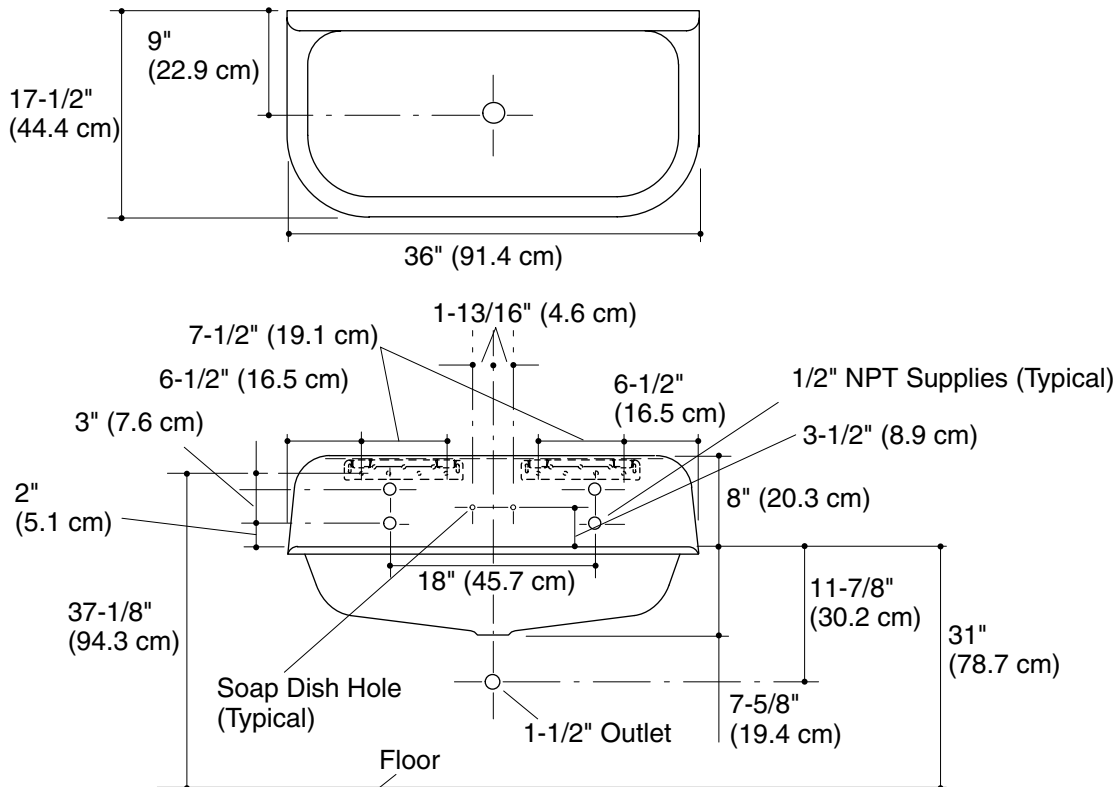
# BROCKWAY™

## Technical Information

|   |                               |
|---|-------------------------------|
| Fixture*:                                       |                               |
| Basin area                                      | 32" (81.3 cm) x 14" (35.6 cm) |
| Water depth                                     | 7" (17.8 cm)                  |
| Drain hole                                      | 2-1/8" (5.4 cm) D.            |
| Faucet holes<br>(for 2 faucets)                 | 1-1/2" (3.8 cm) D.            |
| Soap dish holes<br>(for 1 soap dish)            | 5/16" (0.8 cm) D.             |
| * Approximate measurements for comparison only. |                               |
| Included components:                            |                               |
| Hangers   | 64508                         |

## Installation Notes

Install this product according to the installation guide.



## Product Diagram