

Big Ass Fan 3600

TECHNICAL SPECIFICATIONS

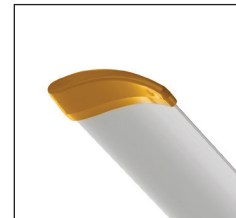
With its high-efficiency, sensorless direct drive motor, Big Ass Fan 3600 provides the serious air movement needed for large spaces up to 3,600 square feet (334.5 square meters).

BIG AIR MOVEMENT FOR BIG SPACES

- **Airfoils and Winglets** — Six anodized Mini-Ellipto airfoils with yellow tips
- **Gearless Direct Drive Motor** — Provides efficient, silent operation; permanent magnet design reduces power consumption
- **Onboard Controls** — Onboard electronic microprocessors offer adjustable speed and smooth, powerful operation
- **Extension Tube** — Standard 3 feet (0.9 m)
- **Controller** — Variable speed wired wall controller mounts in standard single-gang junction box or to wall surface; connects with 10 V CAT5 cable
- **Environment** — Suitable for indoor spaces
- **Colors** — Silver with yellow trim and motor housing
- **Efficiency** — Provides effective cooling over the same area as 51 standard ceiling fans at a fraction of the operating cost
- **Easy Installation** — Lightweight and easy to install



Standard Colors



Controller



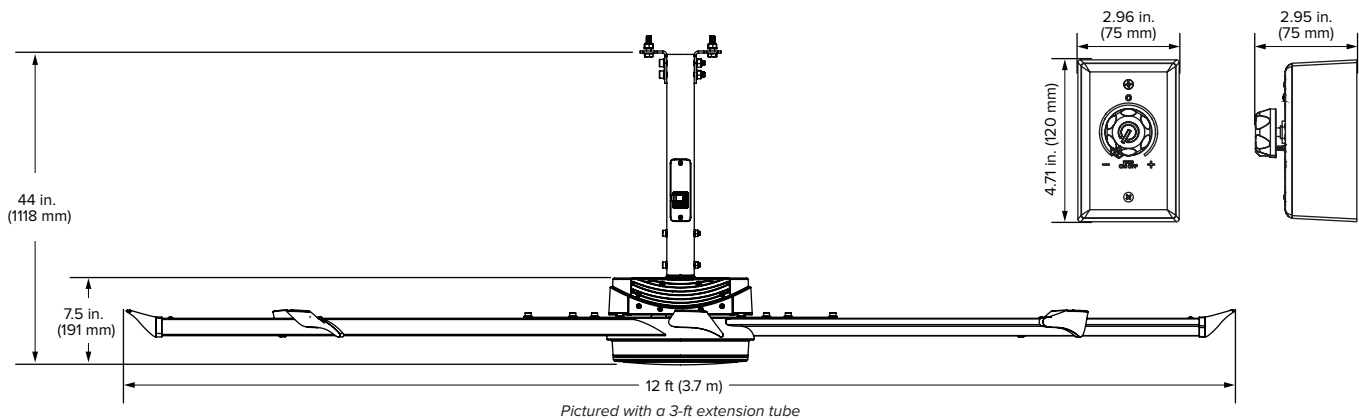
Technical Specifications

Diameter	Weight ¹	Max speed	Airfoil clearances ²	Input power and breaker	Sound at max speed ³
12 ft (3.7 m)	79 lb (36 kg)	85 RPM	10 ft (3 m) above floor 2 ft (0.6 m) on sides 2 ft (0.6 m) below ceiling deck	110–125 VAC, 1 Φ , 50/60 Hz, 10 A	< 35 dBA

¹ Includes mount and 3-ft (0.9-m) extension tube

² Suitable for ceilings as low as 14 ft (4.3 m)

³ Fans are sound tested at maximum speed in a laboratory environment. Actual results in field conditions may vary due to sound reflecting surfaces and environmental conditions.



Lead times may vary.
See full warranty for coverage information.
Specifications subject to change without notice.



USA
BIGASSFANS.COM
877-244-3267

CANADA
BIGASSFANS.COM
844-924-4277

AUSTRALIA
BIGASSFANS.COM/AU
1-300-244-277

SINGAPORE
BIGASSFANS.COM/SG
+65 6709 8500