

# HOME DECORATORS COLLECTION

BF-22673 HAMPTON BAY COLLECTION BATH 4 DOORS 1 DRAWER TALL CABINET

INV#1002953701/1002953875/1002953853

## ASSEMBLY INSTRUCTIONS


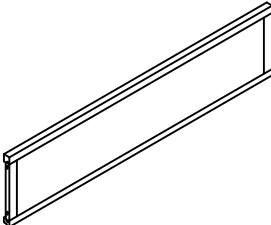
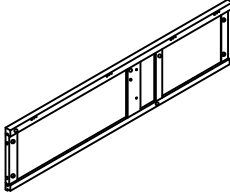



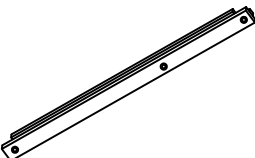
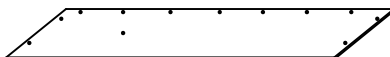

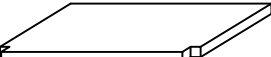
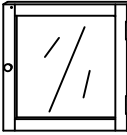
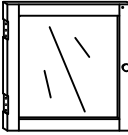
Made In China

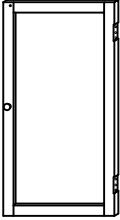
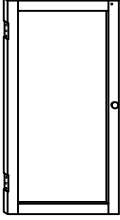
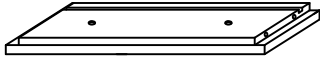
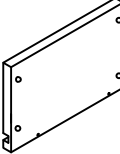
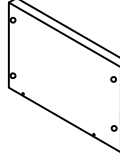
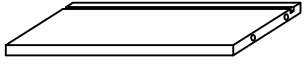
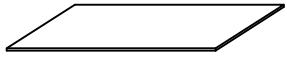

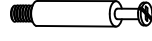
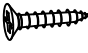





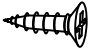
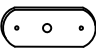
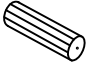


Thank you for purchasing this quality product. Be sure to check all packing material carefully for small parts, which may have come loose inside the carton during shipment. Count all parts and material hardware, then compare with parts list to be sure all parts are present. If any parts are missing or damaged, phone, fax, or mail to our Customer Service Department for efficient and speedy service. Please indicate the model number and code letter of part(s) needed.

**IMPORTANT NOTE:** Follow instructions listed below in proper sequence as numbered to assure fast, easy and correct assembly.

## PARTS LIST

<b>A</b>    TOP PANEL-1PC	<b>B</b>    RIGHT SIDE PANEL-1PC	<b>C</b>    LEFT SIDE PANEL-1PC
<b>D</b>    BOTTOM PANEL-1PC	<b>E</b>    ACROSS PANEL-1PC	<b>F</b>    ACROSS PANEL-1PC
<b>F1</b>    REAR PANEL GUIDE-1PC	<b>G</b>    BACK PANELS-2PCS	<b>H</b>    FEET-4PCS
<b>I</b>    SHELVES-3PCS	<b>J</b>    UP LEFT DOOR-1PC	<b>K</b>    UP RIGHT DOOR-1PC

<p>L</p>  <p>DOWN LEFT DOOR-1PC</p>	<p>M</p>  <p>DOWN RIGHT DOOR-1PC</p>	<p>N</p>  <p>DRAWER PANEL FRONT-1PC</p>
<p>O</p>  <p>LEFT DRAWER PANEL SIDE-1PC</p>	<p>P</p>  <p>RIGHT DRAWER PANEL SIDE-1PC</p>	<p>Q</p>  <p>DRAWER PANEL BACK-1PC</p>
<p>R</p>  <p>DRAWER PANEL BOTTOM-1PC</p>	<p>S</p>  <p>CAM-LOCKS-14PCS</p>	<p>T</p>  <p>CAM-BOLTS-14PCS</p>
<p>U</p> <p>6mm × 3/4"</p>  <p>SCREWS-11PCS</p>	<p>V</p> <p>8mm × 5/8"</p>  <p>SCREWS-6PCS</p>	<p>W</p>  <p>KNOBS-6PCS</p>
<p>X</p>  <p>SHELF SUPPORTS-12PCS</p>	<p>Y</p>  <p>LARGE MAGNETS-2PCS</p>	<p>Z</p>  <p>HINGES-8PCS</p>
<p>A1</p> <p>5mm × 1/2"</p>  <p>SCREWS-52PCS</p>	<p>B1</p>  <p>FEMALE MAGNETS-4PCS</p>	<p>C1</p>  <p>DOWELS-2PCS</p>

D1 7mm × 5/8"



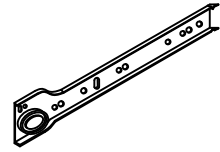
SCREWS-34PCS

E1



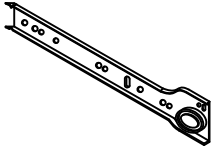
CAM-TOOL-1PC

G1



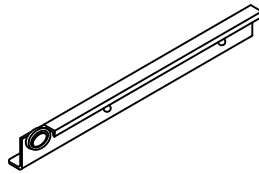
LEFT OUTER SLIDER-1PC

H1



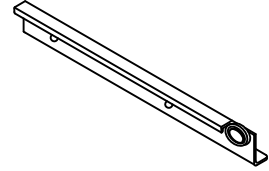
RIGHT OUTER SLIDER-1PC

I1



LEFT INNER SLIDER-1PC

J1



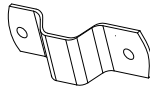
RIGHT INNER SLIDER-1PC

K1 6mm × 3/8"



SCREWS-12PCS

L1



HOOKS-4PCS

M1



PLASTIC BELTS-2PCS

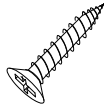
N1



GECKOS-4PCS

O1

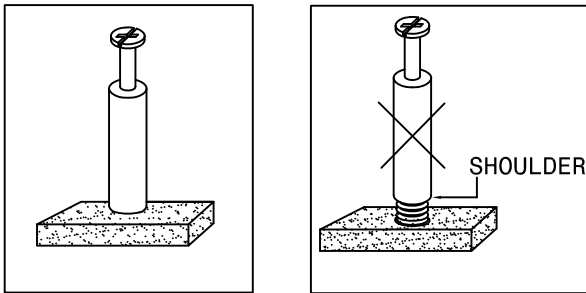
7mm × 7/8"



SCREWS-4PCS

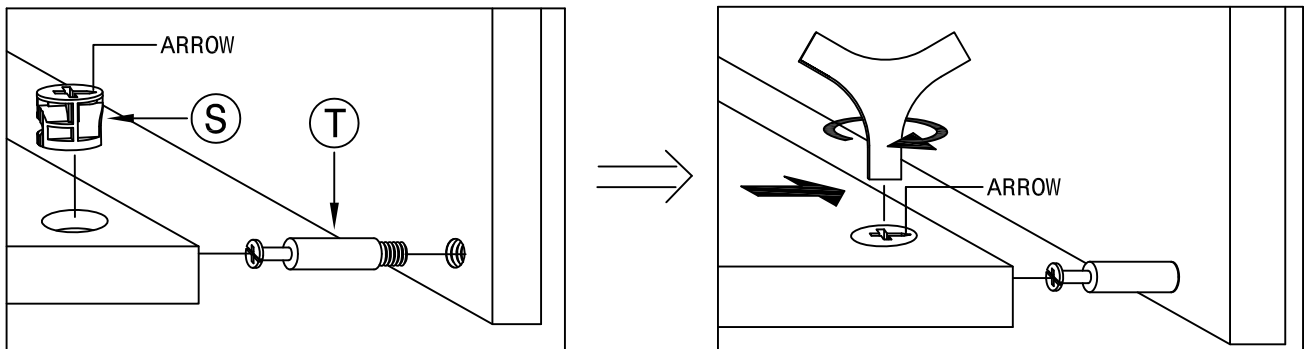
NOTE: THE SURFACE WITH THE STICKER IS THE BACK SIDE.

NOTE: • UPON OPENING THOROUGHLY CLEAN ALL WOODS SURFACES TO REMOVE DUST AND DIRT THAT MAY HAVE SETTLED ONTO FINISH DURING SHIPMENT. IN ORDER TO PREVENT DAMAGE DURING ASSEMBLY, PLEASE ASSEMBLE THIS ITEM WITH AT LEAST TWO PEOPLE.

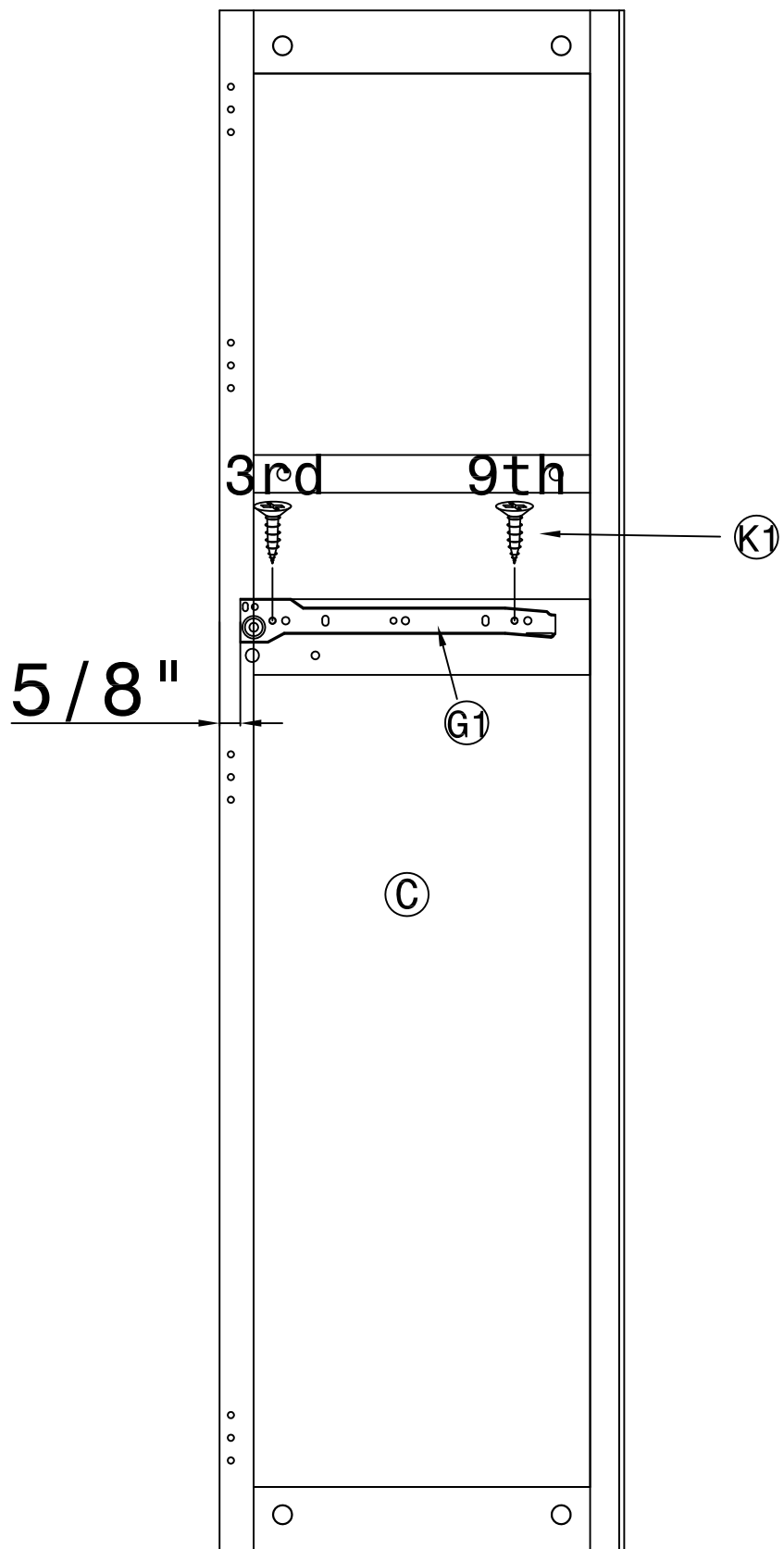


NOTE: TURN THE CAM-BOLT SCREWS UNTIL THEY ARE TIGHT, THE SHOULDER SHOULD BE AGAINST THE SURFACE OF THE PART.

## HOW TO USE THE CAM-TOOL

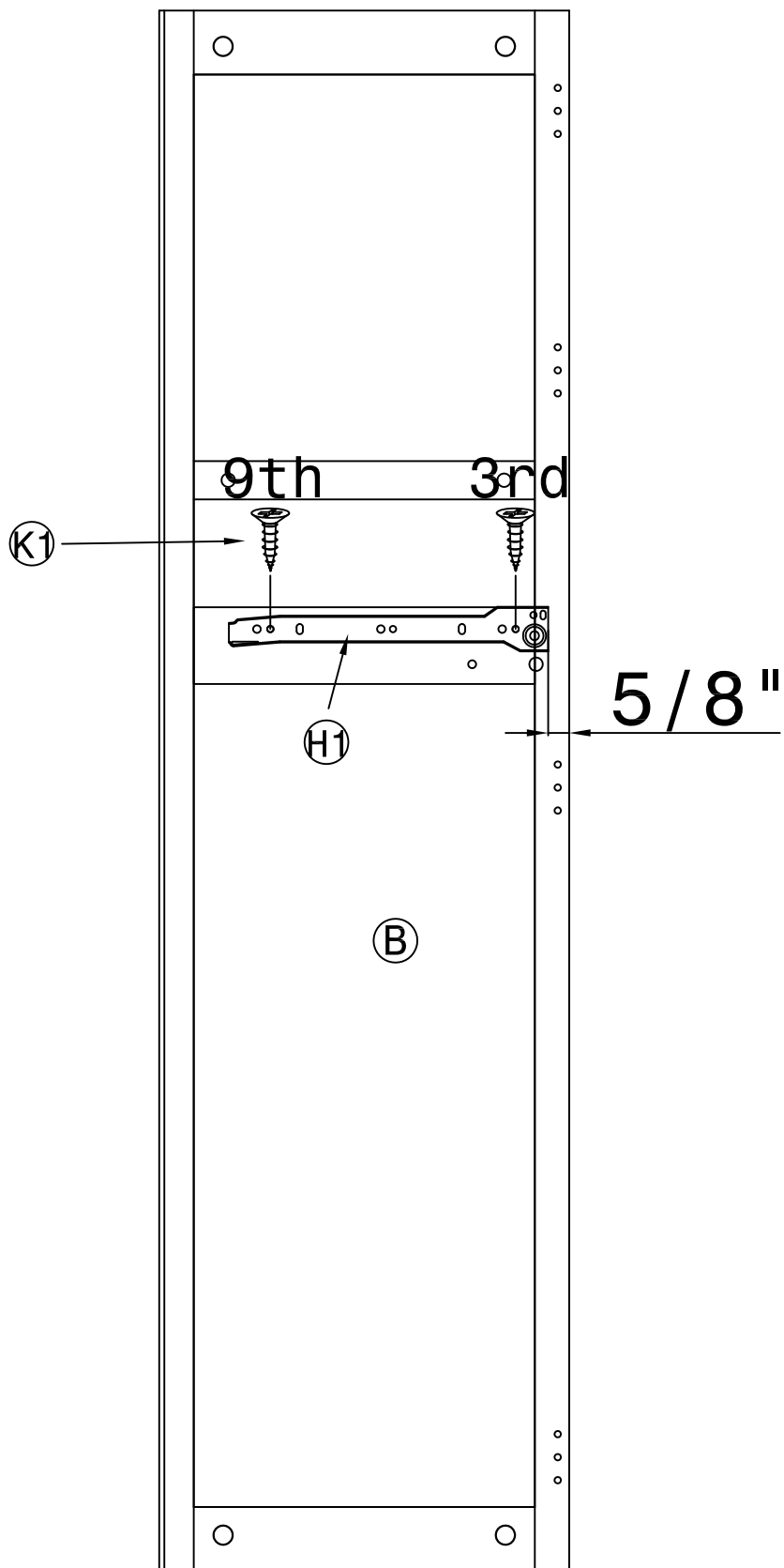


NOTE: • THE ARROWS ON THE HIDDEN CAM-LOCKS SHOULD POINT TO THE CAM-BOLTS



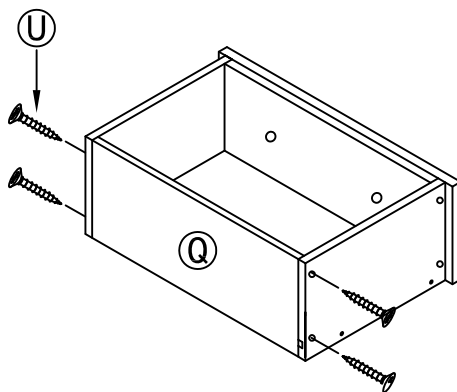
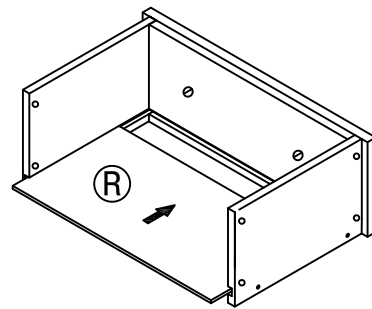
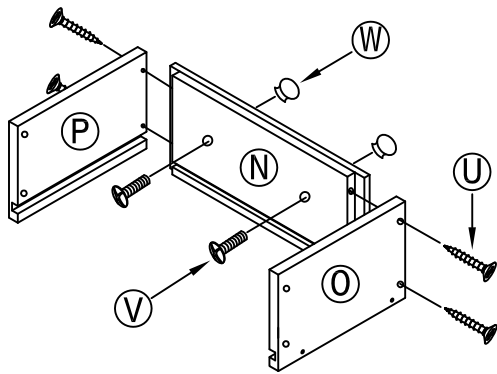
1) ASSEMBLE THE LEFT OUTER SLIDER(G1).

- ATTACH THE LEFT OUTER SLIDER(G1) TO LEFT SIDE PANEL(C) USING 2 SCREWS(K1).



2) ASSEMBLE THE RIGHT OUTER SLIDER(H1).

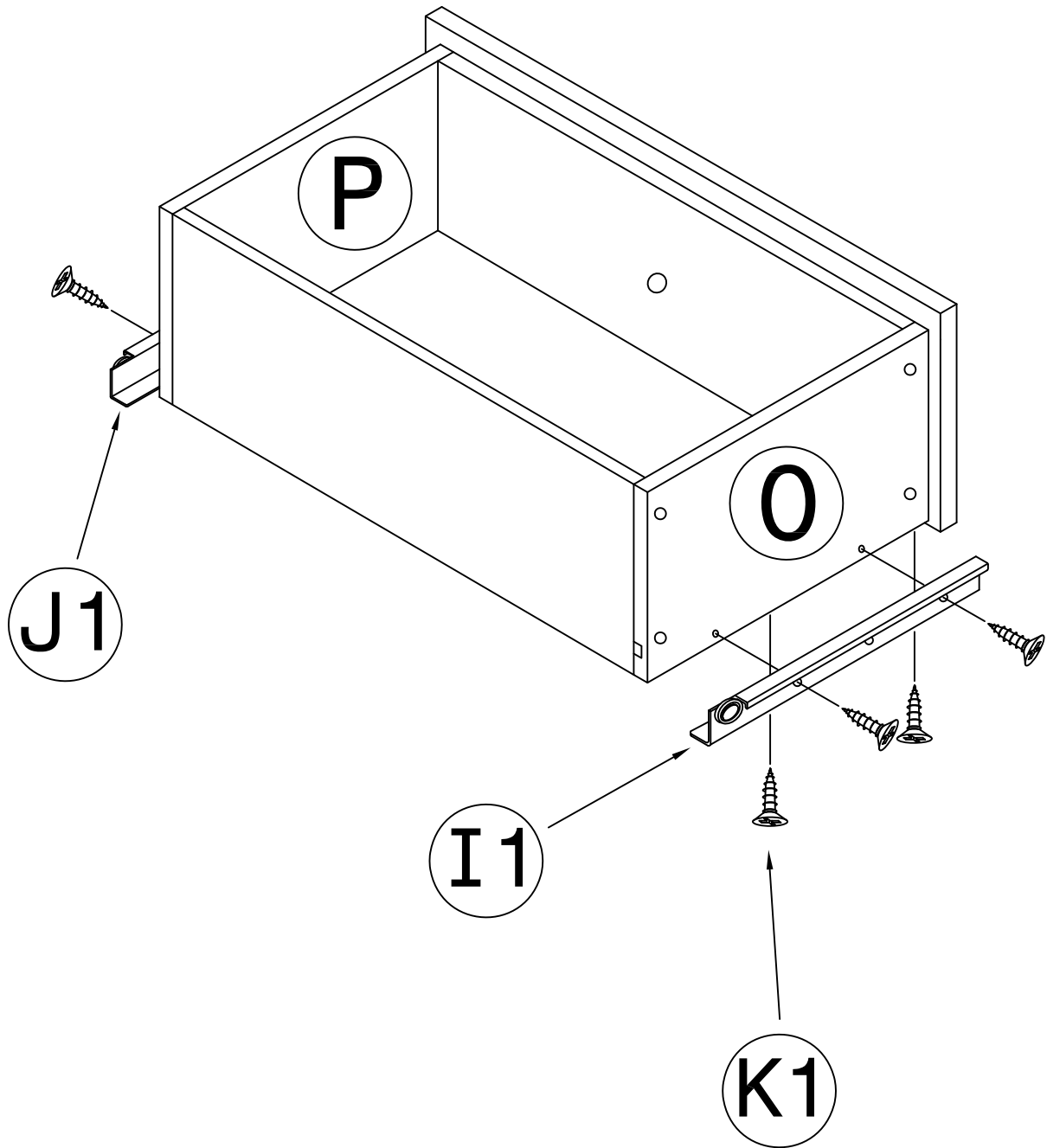
- ATTACH THE RIGHT OUTER SLIDER(H1) TO RIGHT SIDE PANEL(B) USING 2 SCREWS(K1).



### 3) .ASSEMBLE THE DRAWER.

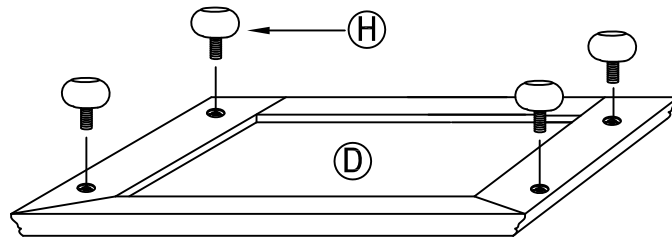
- ATTACH DRAWER PANEL SIDE(O/P) TO DRAWER PANEL FRONT(N) USING 4 SCREWS(U).
- ATTACH 2 KNOB(W) TO DRAWER PANEL FRONT(N) USING 2 SCREWS(V).
- INSERT THE DRAWER PANEL BOTTOM(R) INTO THE SLOTS IN THE DRAWER PANEL SIDE(O/P).
- ATTACH DRAWER PANEL BACK(Q) BETWEEN LEFT DRAWR PANEL SIDE(O) AND RIGHT DRAWER PANEL SIDE(P) USING 4 SCREWS(U).





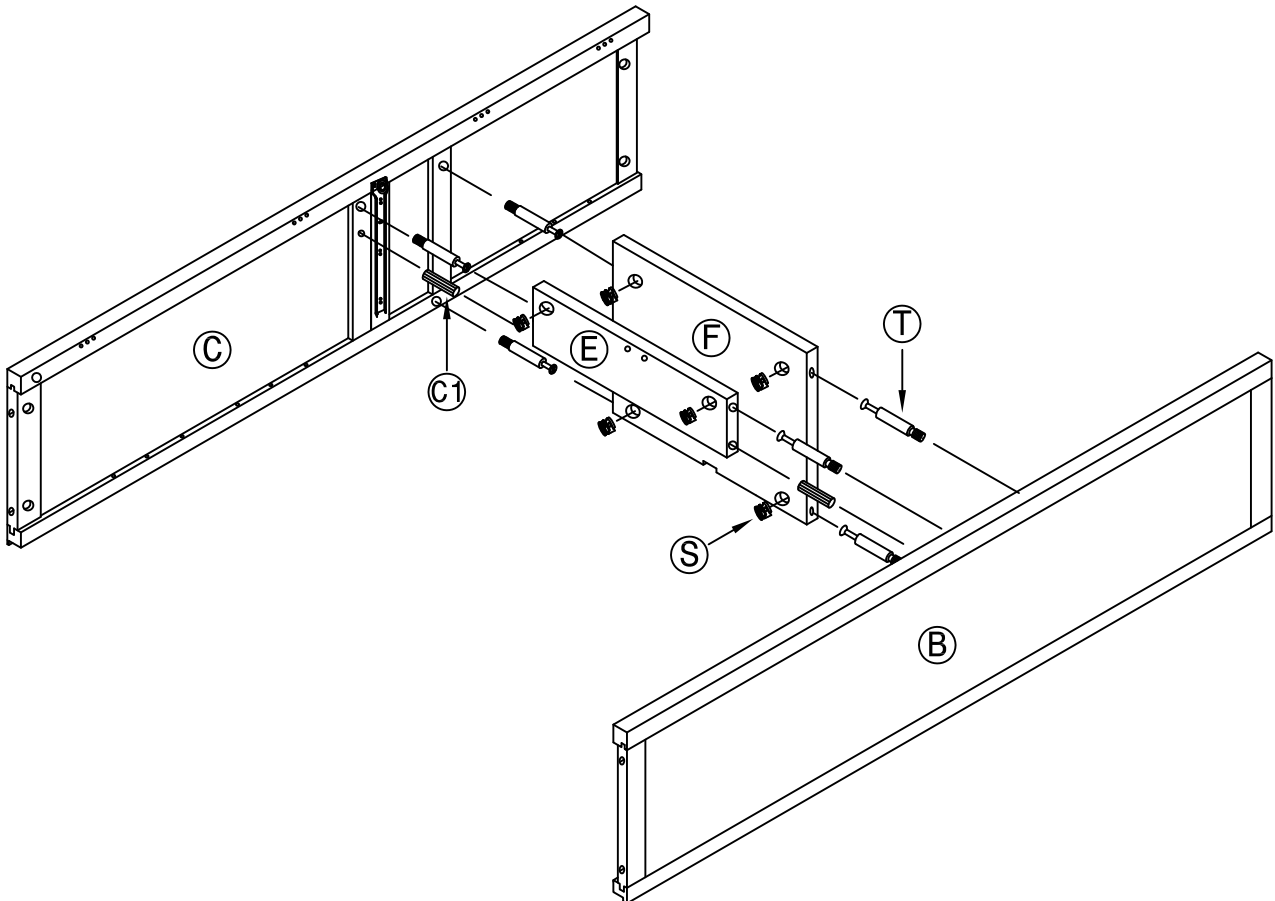
4) ASSEMBLE THE INNER SLIDER(I1/J1).

- ATTACH THE INNER SLIDER(I1/J1) TO SIDE PANEL(O/P) USING 8 SCREWS(K1).



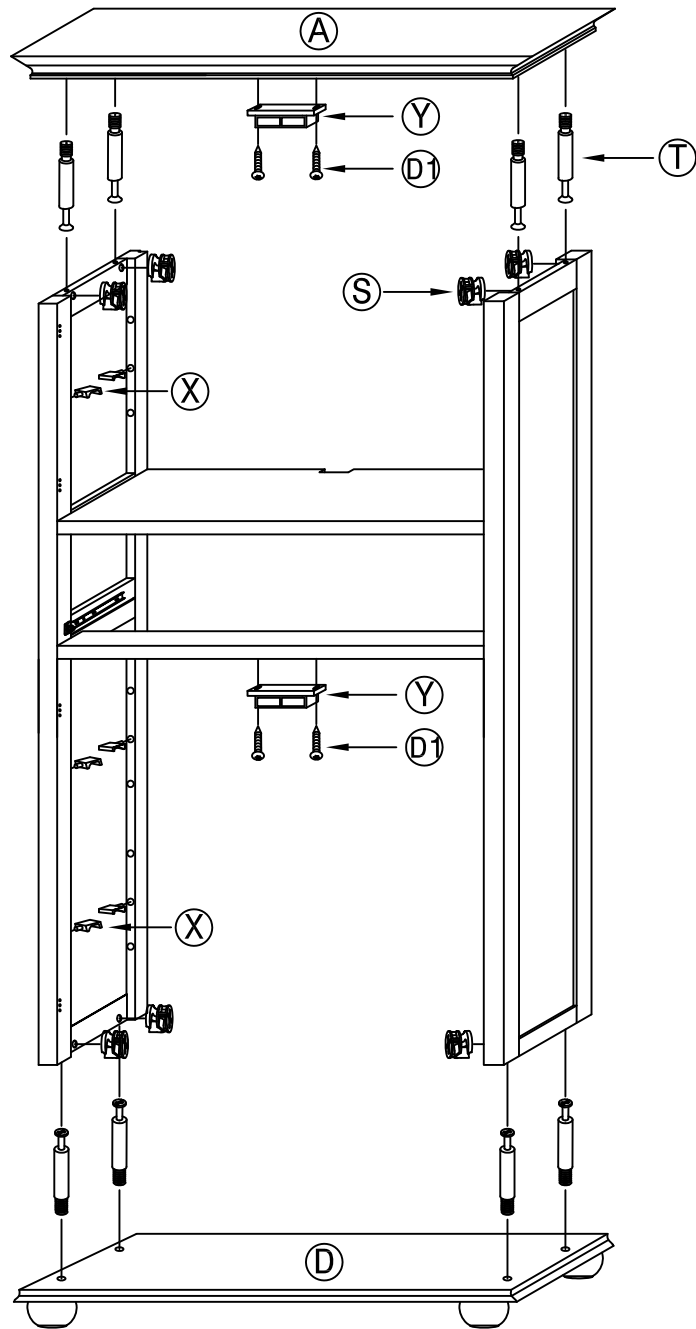
5) .ASSEMBLE THE FEET(H) .

- ROTATE THE 4 FEET(H) INTO THE HOLES IN THE BOTTOM PANEL(D) .



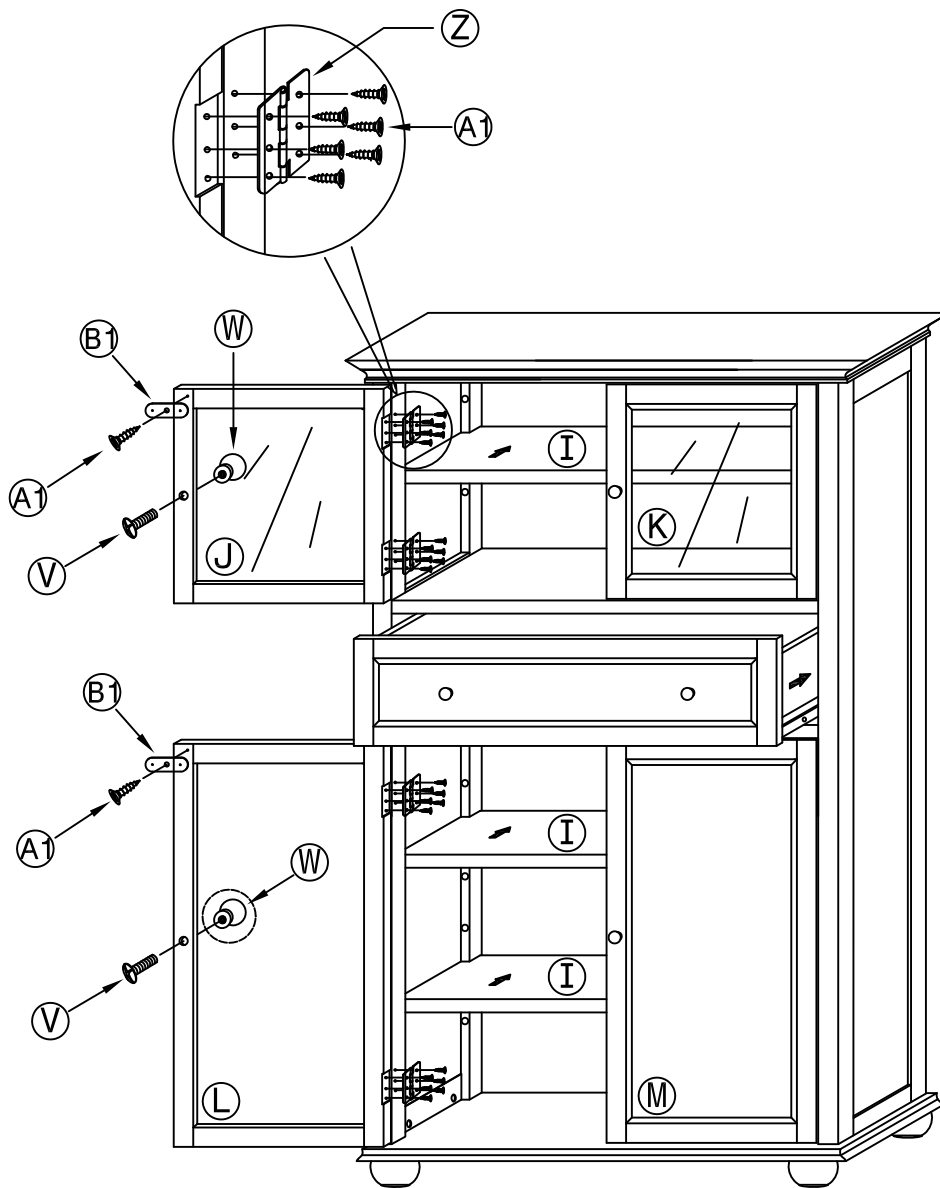
6) .ASSEMBLE THE SIDE PANEL(B/C) .

- INSERT 2 DOWELS(C1) INTO THE HOLES IN THE ACROSS PANEL(E) .
- ROTATE 6 CAM-BOLTS(T) INTO THE HOLES IN THE SIDE PANEL(B/C) .
- PLACE THE CAM-BOLTS(T) INTO THE HOLES IN THE PANEL(E/F) AND ATTACH USING 6 CAM-LOCKS(S) .



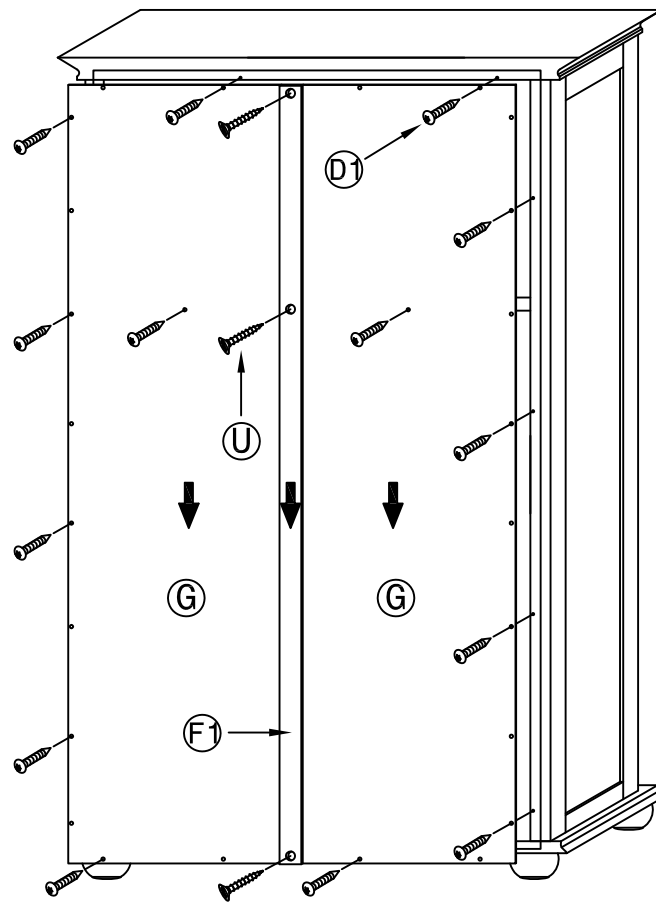
**7) . ASSEMBLE THE TOP/BOTTOM PANEL(A/D) .**

- ROTATE 8 CAM-BOLTS(T) INTO THE HOLES IN THE TOP/BOTTOM PANEL(A/D) .
- PLACE THE CAM-BOLTS(T) INTO THE HOLES IN THE PANEL(B/C) AND ATTACH USING 8 CAM-LOCKS(S) .
- INSERT THE 12 SHELF SUPPORTS(X) INTO THE HOLES IN THE SIDE PANEL(B/C) .
- ATTACH 2 LARGE MAGNETS(Y) TO TOP/ACROSS PANEL(A/E) USING 4 SCREWS(D1) .



**8) . ASSEMBLE THE DOORS(J/K/L/M) .**

- ATTACH 4 HINGES(Z) TO LEFT DOORS(J/L) AND LEFT SIDE PANEL(C) USING 24 SCREWS(A1) .
- ATTACH 2 KNOBS(W) TO LEFT DOORS(J/L) USING 2 SCREWS(V) .
- ATTACH 2 FEMALE MAGNETS(B1) TO LEFT DOORS(J/L) USING 2 SCREWS(A1) .
- SLIDE DRAWER INTO SIDE SLIDERS .
- FINALLY, PUT THE 3 SHELVES(I) ONTO THE SHELF SUPPORTS(X) .



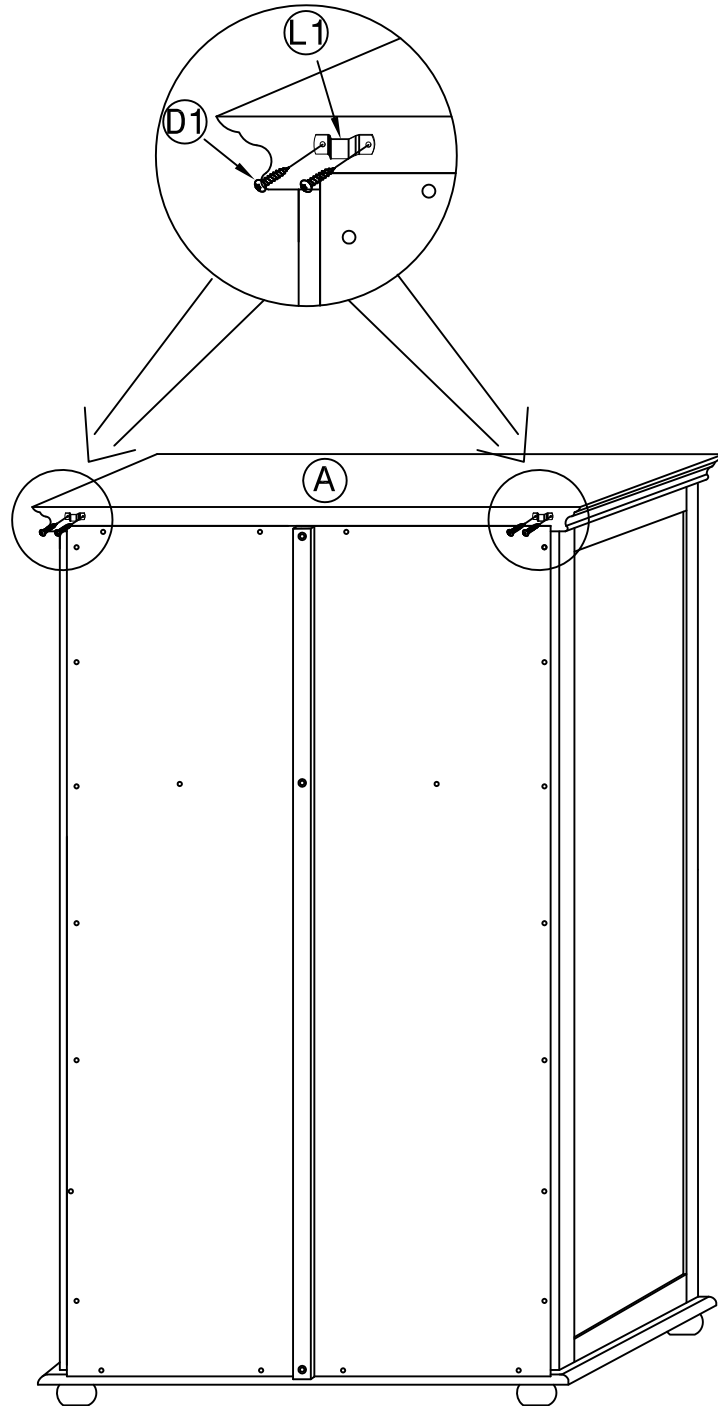
9) . ASSEMBLE THE BACK(G) .

- INSERT THE BACK PANEL(G) INTO THE SLOT IN THE REAR PANEL GUIDE(F1) .
- ATTACH THE BACK PANEL(G) AND REAR PANEL GUIDE(F1) USING SCREWS(D1/U) .



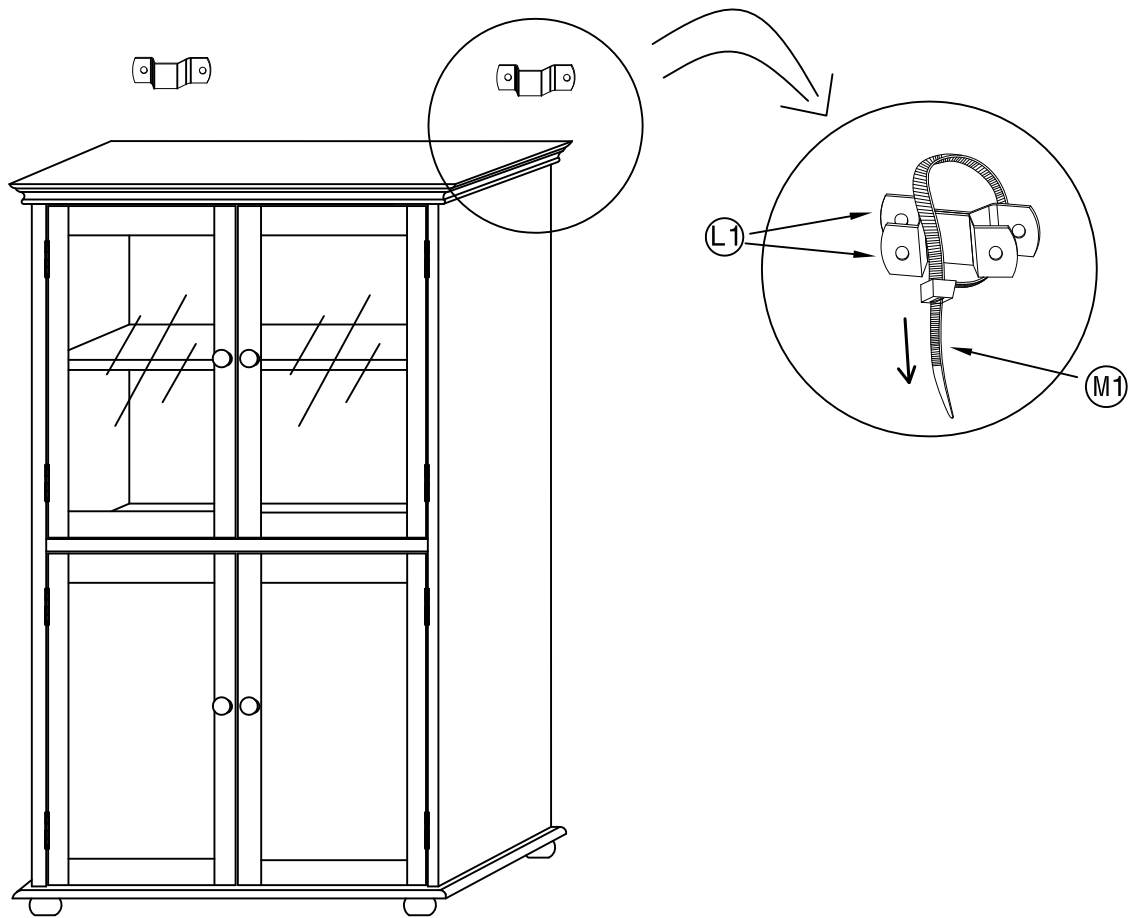
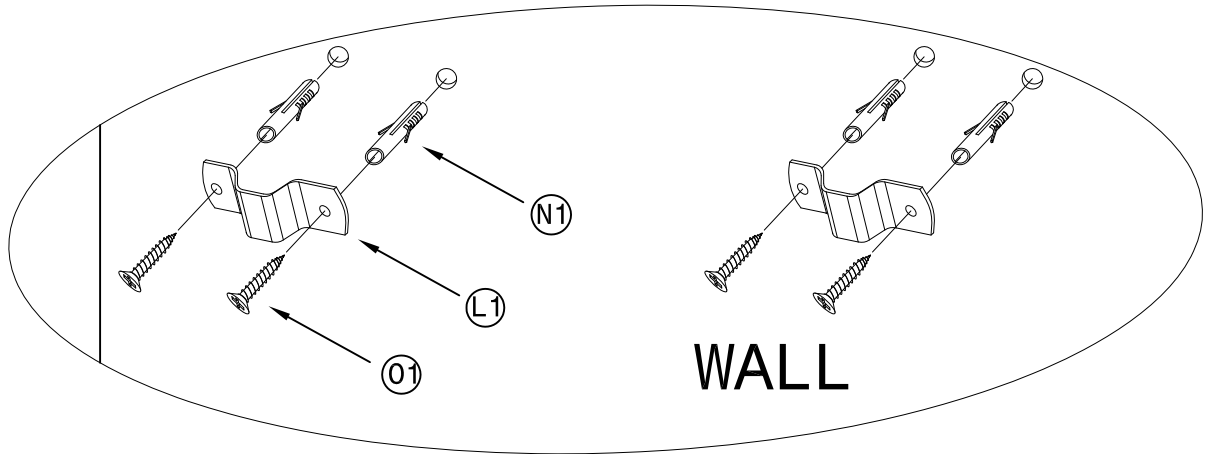
# Warning

The anti-tip hardware must be used as part of assembly!



## 10) . ASSEMBLE THE HOOKS(B1) .

- ATTACH 2 HOOKS(L1) USING 4 SCREWS(D1) IN THE PREDRILLED HOLES OF REAR CABINET(A) .



### 11) . ASSEMBLE THE ANTI-TIP HARDWARE.

- DRILL 4 HOLES INTO THE WALL, PLEASE REFER TO THE REAR TOP PANEL'S HOLE DISTANCE AND HEIGHT.
- PUT 4 GECKOS(N1) INTO THE HOLES IN THE WALL AND ROTATE 4 SCREWS(O1) INTO THE GECKOS(N1).
- CONNECT THE TWO HOOKS(L1) WITH A PLASTIC BELT(M1).

" IMPORTANT HEALTH NOTICE.

SOME OF THE BUILDING MATERIALS USED IN THIS HOME (OR THESE BUILDING MATERIALS) EMIT FORMALDEHYDE. EYE, NOSE, AND THROAT IRRITATION, HEADACHE, NAUSEA AND A VARIETY OF ASTHMA-LIKE SYMPTOMS, INCLUDING SHORTNESS OF BREATH, HAVE BEEN REPORTED AS A RESULT OF FORMALDEHYDE EXPOSURE. ELDERLY PERSONS AND YOUNG CHILDREN, AS WELL AS ANYONE WITH A HISTORY OF ASTHMA, ALLERGIES, OR LUNG PROBLEMS, MAY BE AT GREATER RISK. RESEARCH IS CONTINUING ON THE POSSIBLE LONG-TERM EFFECTS OF EXPOSURE TO FORMALDEHYDE.

REDUCED VENTILATION MAY ALLOW FORMALDEHYDE AND OTHER CONTAMINANTS TO ACCUMULATE IN THE INDOOR AIR. HIGH INDOOR TEMPERATURES AND HUMIDITY RAISE FORMALDEHYDE LEVELS. WHEN A HOME IS TO BE LOCATED IN AREAS SUBJECT TO EXTREME SUMMER TEMPERATURES, AN AIR-CONDITIONING SYSTEM CAN BE USED TO CONTROL INDOOR TEMPERATURE LEVELS. OTHER MEANS OF CONTROLLED MECHANICAL VENTILATION CAN BE USED TO REDUCE LEVELS OF FORMALDEHYDE AND OTHER INDOOR AIR CONTAMINANTS.

IF YOU HAVE ANY QUESTIONS REGARDING THE HEALTH EFFECTS OF FORMALDEHYDE, CONSULT YOUR DOCTOR OR LOCAL HEALTH DEPARTMENT. "