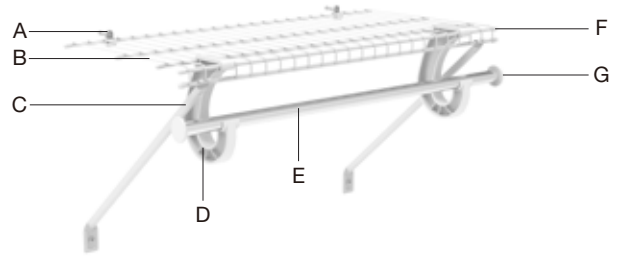


Installation Guide

Fixed Mount System Tips

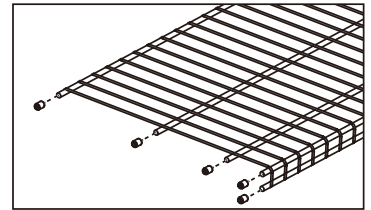


Fixed Mount Components

- A. Wall Clip
- B. Regular Duty Shelving
- C. Support Bracket
- D. Closet Rod Support Bracket
- E. Closet Rod
- F. Shelf Endcap
- G. Closet Rod Endcap

1 Prepare Shelves

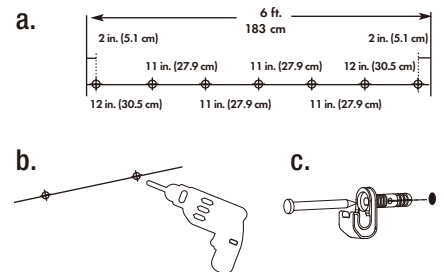
- Cut shelf to desired length using a hacksaw or bolt cutters, if necessary. Place provided end caps over cut ends. Caution - cut ends of shelf are sharp, immediately use end caps to cover.



2 Install Wall Clips

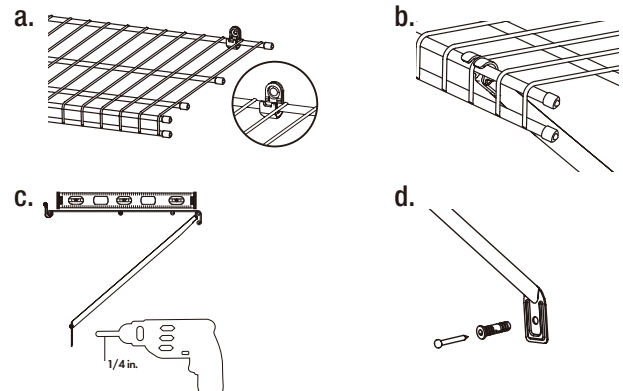
- a. Draw a level line lightly on the wall the entire length of the shelf. Make a mark 2 inches in from each end of shelf to install wall clips. Measure total distance between end clips and divide evenly, making marks for remaining clips. Clips should be spaced no more than 12 in. apart.
- b. Drill 1/4 in. holes at each marked location for wall clips (Do NOT punch holes).
- c. With a hard flat object such as a hammer handle, push wall clip into pre-drilled hole then insert pin into wall clip. If removal is needed, you may pry the pin out with a flat screwdriver.

Example of 6ft Shelf Installation



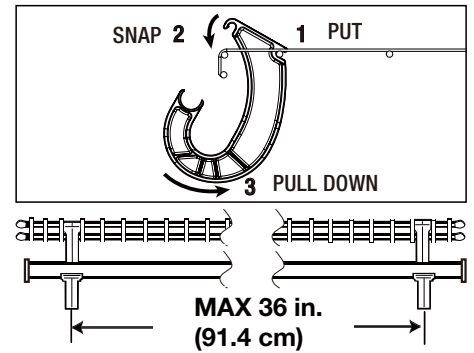
3 Install Shelf and Support Brackets

- a. Push shelf into wall clips firmly, allowing shelf to hang down from installed clips.
- b. Position support brackets on top front lip of shelf as shown, no more than 36 in. apart and 6 inches in from ends of shelf as shown.
- c. Level the shelf and drill a 1/4 in. hole through the hole in the wall bracket where it meets the wall as shown.
- d. Line up bracket hole with drilled hole and push the anchor into the hole, then push the pin into the anchor using the handle of a hammer or similar tool. If removal is needed, you may pry the pin out with a flat screwdriver.



4 Install Rod Support Brackets and Rods

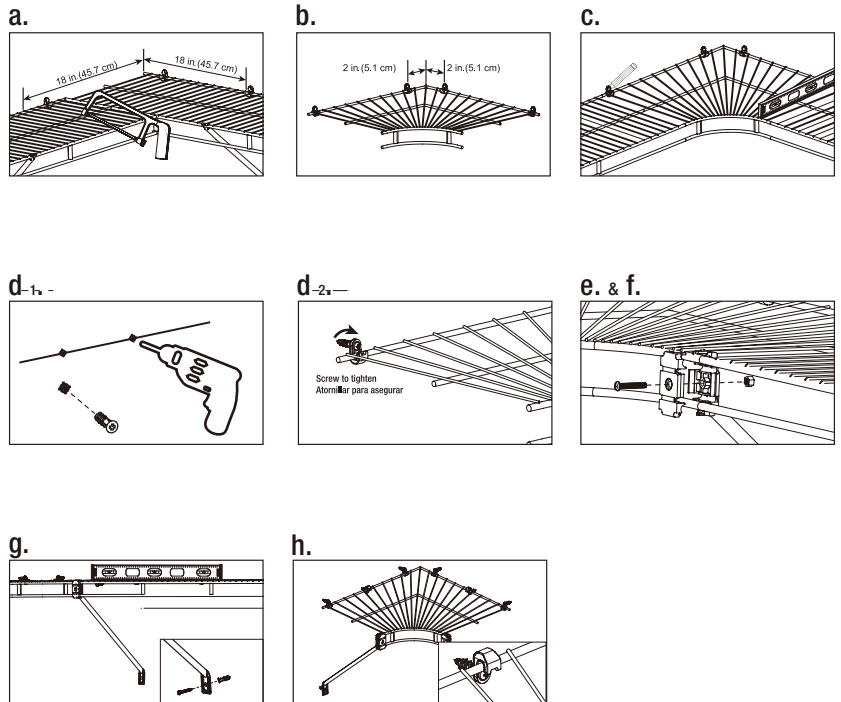
- Put the closet rod support bracket at an angle as the diagram shows and place the back part onto the horizontal rod. Max spacing between closet rod support brackets is 36 in. for the regular duty system.
- Cut closet rod to desired length, if necessary. Place closet rod end caps onto each end of closet rod and snap the rods into the rod support brackets. Caution - cut ends of closet rod are sharp, immediately use closet rod end caps to cover.



5 Install Corner Shelves and Rods

NOTE: For use on existing installations, ensure shelving and corner shelf are the same height.

- a. Measure and mark clearance needed for the corner shelf (18 in. for existing 12 in. deep shelving). Use a hacksaw or bolt cutters to cut and remove existing shelving portions to allow for the appropriate clearance, if needed.
- b. Attach wall clips to corner shelf as shown.
- c. Using a level, hold corner shelf in place and mark wall clip locations with pencil. Ensure deck wires on corner shelf align with deck wires on straight shelving. If deck wires overlap or are not in alignment, Joiner Plate will not fit appropriately.
- d. Drill 1/4 in. holes at each marked location for wall clips (Do NOT punch holes). Push wall anchor into pre-drilled hole then fasten clip anchoring into pre-drilled hole then fasten clip facing up with screw onto anchor. Securely snap shelf into installed clips.
- e. Once deck wires are aligned, connect the shelves with the included joiner plates. Using one half of joiner plate, install behind front lip of shelf and use other half of joiner plate in front of shelf lip. Insert bolt through joiner plate halves to sandwich together (ensure joiner plate edges are aligned).
- f. Attach included support bracket to joiner plates and secure with bolt and nut.
- g. Using a level on shelves to ensure they are level, attach the support bracket to wall where it meets, using the hole in the bracket to drill a 1/4 in. hole. Push anchor into drilled hole with hard flat object such as a hammer handle and then secure with screw.
- h. Mount one clip upside-down in between clips already installed on each side to prevent any movement.



Load Capacity

Hardware included, holds up to 10 lbs per linear foot.

Warranty

This product is guaranteed to be free of defects in materials and workmanship for 1 year from the date of purchase. If this product is defective, call 1-800-305-1726 or return the product to the store from which it was purchased for a replacement. Guarantee does not include normal wear and tear.