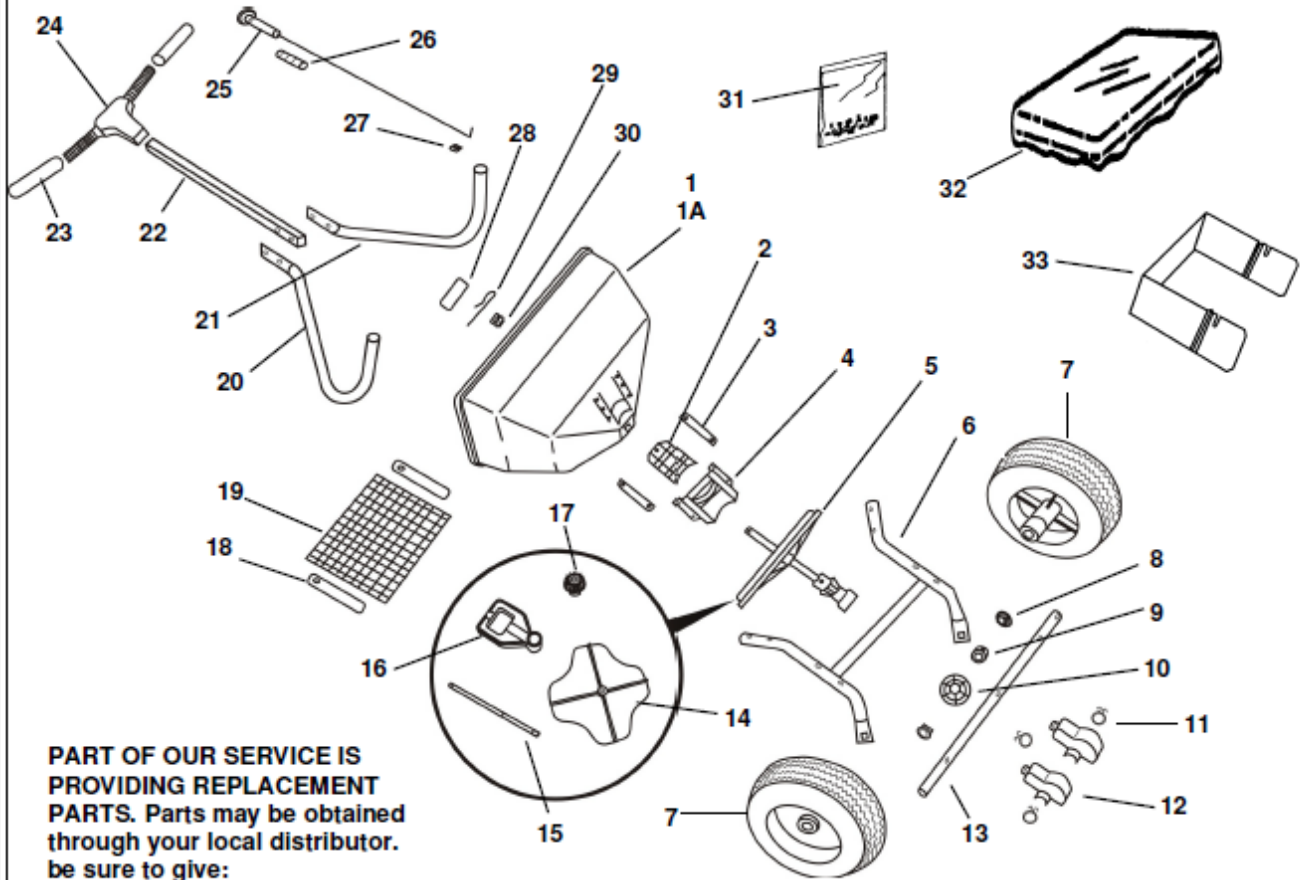


PARTS LIST FOR MODEL #38170



PART OF OUR SERVICE IS PROVIDING REPLACEMENT PARTS. Parts may be obtained through your local distributor. be sure to give:

1. SPREADER MODEL NUMBER
2. SPREADER NAME
3. PART NUMBER
4. NAME OF PART AS SHOWN

IF YOUR LOCAL DISTRIBUTOR CANNOT SUPPLY PARTS, CONTACT:

Meyer

Meyer Products, Inc.

18513 Euclid Ave
Cleveland, Ohio 44112
216-486-1313
www.meyerproducts.com

Key	Description	Part No.	Key	Description	Part No.
1	Hopper Assembly	PSB15447	17	Pinion Gear	PSB14833
1A	Hopper *	PSB15448	18	Screen Clips (2)	PSB14022
2	Shutoff Plate *	PSB15454	19	Hopper Screen	PSB14603-1
3	Shutoff Plate Guides (2) *	PSB15453	20	Handle Brace W/ Plug- LH.	PSB15852
4	Rate Cam & Chute Assembly *	PSB15450	21	Handle Brace W/ Plug- RH.	PSB15853
5	Impeller Assembly	PSB16288	22	Handle Tube	PSB15283
6	Frame Assembly	PSB15859	23	Handle Grips (2)	PSB15264
7	Drive & Free Turning Wheel	PSB16282	24	T-Handle Assembly	PSB13634-2
8	Axle Bushings (2)	PSB15860	25	Control Knob & Wire Ass'y.	PSB15882
9	Axle Collar	PSB14063	26	Control Knob Spring	PSB14462
10	Axle Gear	PSB15027	27	Wire Retaining Clip	PSB13643-1
11	Gear Cover Clamps (3)	PSB14868-1	28	Hopper Plug	PSB15449
12	Gear Cover (2)	PSB15483	29	Agitator	PSB14510
13	Axle	PSB15858	30	Impeller Shaft Bearing *	PSB14312-1
14	Impeller	PSB15459	31	Parts Package	PSB15864-1
15	Impeller Shaft	PSB15856	32	Hopper Cover	PSB14606-1
16	Gear Support	PSB15028	33	Deflector Shield	PSB15464-1

* Parts included in Hopper Assembly