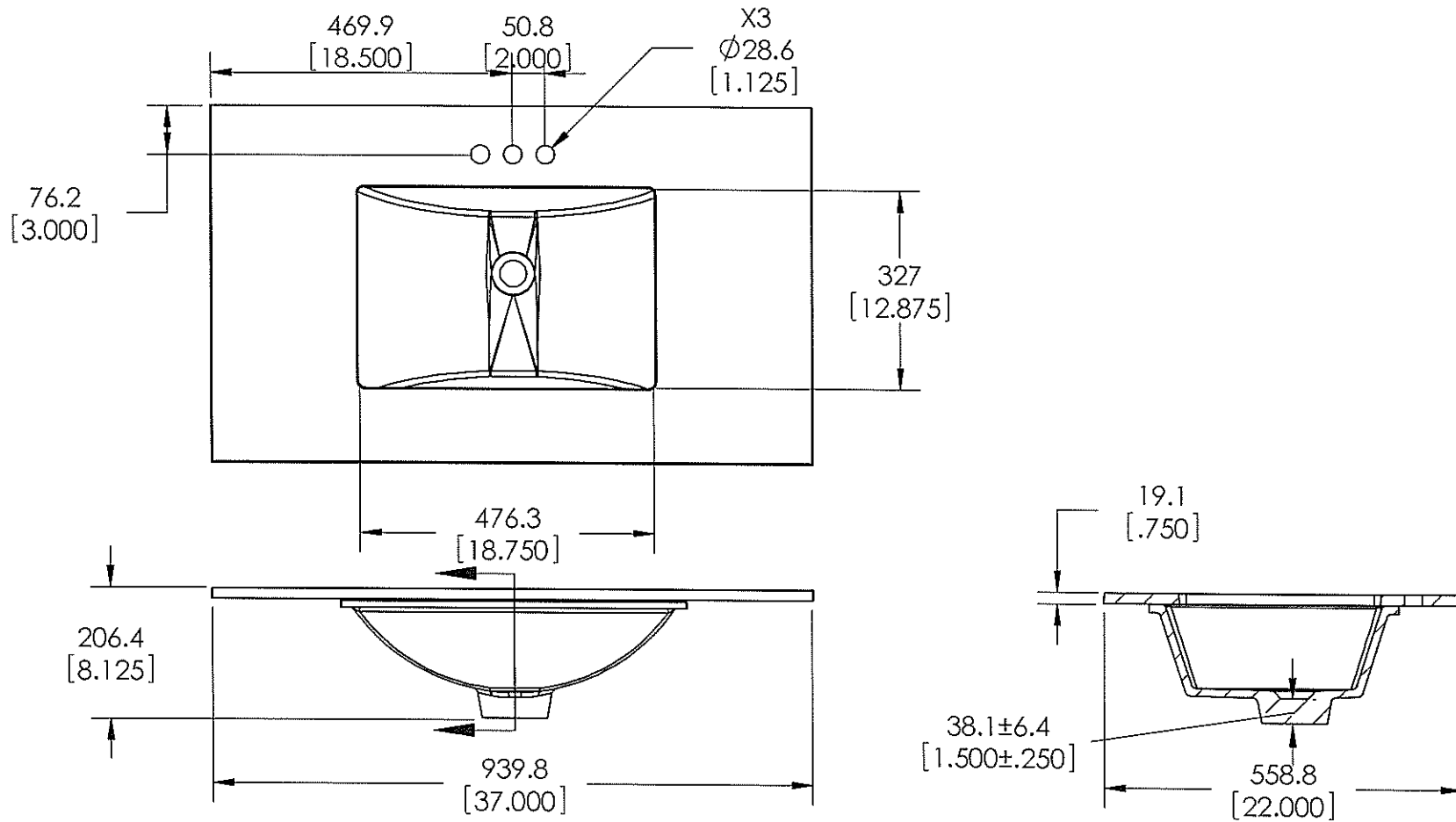


DRAWING TYPE	ITEM ID	ITEM DESCRIPTION	DRAWING STATUS
FINISH GOOD	SERST37COM-CO	SE / COLD FUSION	READY FOR PRODUCTION
FINISH GOOD	SERST37COM-RU	SE / RUSTIC GOLD	READY FOR PRODUCTION
FINISH GOOD	SERST37-WM	SE / WINTER MIST	READY FOR PRODUCTION
FINISH GOOD	SERST37COM-AV	SE / AVALON	READY FOR PRODUCTION
FINISH GOOD	SERST37COM-DN	SE / DUNE	READY FOR PRODUCTION
FINISH GOOD	SERST37COM-MI	SE / MAYAN IVORY	READY FOR PRODUCTION
FINISH GOOD	SSRST37COM-GI	SE / GINGER	READY FOR PRODUCTION
FINISH GOOD	CPRST37COM-MA	CP / MAUI	READY FOR PRODUCTION

REVISION #	DATE	CHANGE	APPROVAL
0	4/29/14	NEW DRAWING	R. CAZAREZ
1	6/25/14	NEW ITEMS ID'S	R. CAZAREZ
2	7/1/14	UPDATED DIM.	R. CAZAREZ
3	9/04/14	RELEASED	R. CAZAREZ
4			



NOTE: MAX. WARPAGE TOLERANCE 1/8"

PROPRIETARY AND CONFIDENTIAL
 THE INFORMATION CONTAINED IN THIS DRAWING IS THE SOLE PROPERTY OF WOODCRAFTERS. ANY REPRODUCTION IN PART OR AS A WHOLE WITHOUT THE WRITTEN PERMISSION OF WOODCRAFTERS IS PROHIBITED.

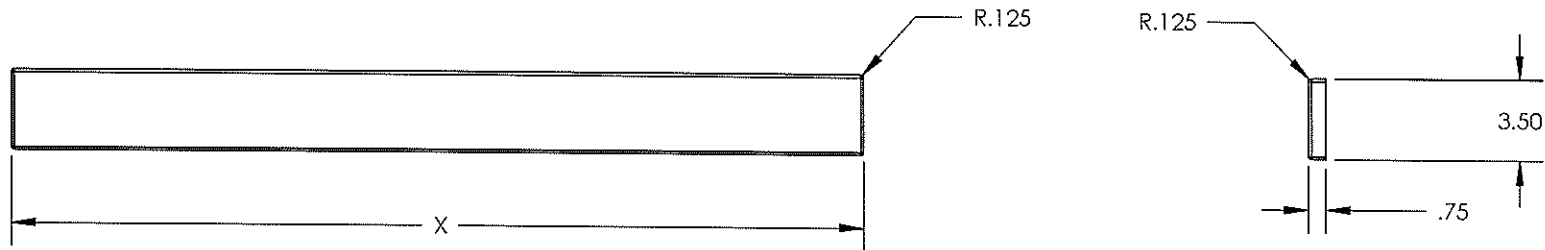
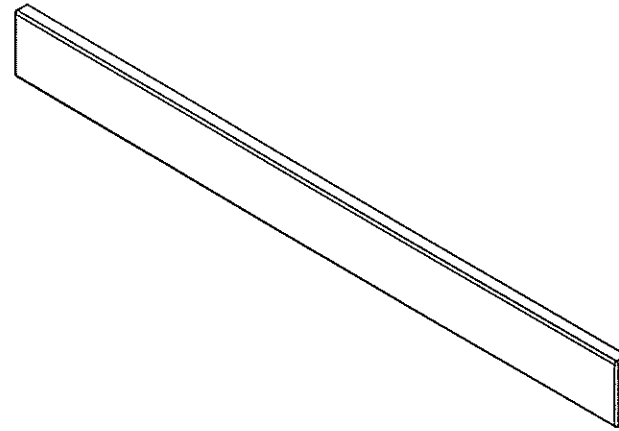
UNLESS OTHERWISE SPECIFIED
 DIMENSIONS ARE IN MM. AND (INCHES)
 TOLERANCES ARE
 + 3.175 (1/16) - 3.175 (3/16)
 SCALE: 1:10

	NAME	DATE
DRAWN	R. CAZAREZ	APR/29/2014
CHECKED	E. SANDOVAL	SEP/04/2014
ENG APPR.	V. SANCHEZ	SEP/04/2014
MFG APPR.	C. LEAL	SEP/04/2014

Wood Crafters

SIZE DWG. NO. SHEET 1 OF 1
 A VTOP - SE 37 X 22 - SQUARE PROFILE - LARGE REC UM - 4IN

	X
Backsplash 25	25
Backsplash 31	31
Backsplash 37	37
Backsplash 49	49
Backsplash 61	61
Side Splash	20.375



Wood Crafters

PROPRIETARY AND CONFIDENTIAL
 THE INFORMATION CONTAINED HEREIN IS THE SOLE PROPERTY OF WOOD CRAFTERS, INC. ANY REPRODUCTION IN PART OR AS A WHOLE WITHOUT THE WRITTEN PERMISSION OF WOOD CRAFTERS, INC. IS PROHIBITED.

UNLESS OTHERWISE SPECIFIED:
 DIMENSIONS ARE IN INCHES
 TOLERANCES:
 .0 ±.125

DRAWN BY: E. Sandoval 3/26/2012
 CHECKED BY:
 APPROVED BY:
 DATE/CALC/DRAWING SCALE: 1:8
 SEE: A

TITLE:
 HD Dot Com Backsplash/Side Splash
 Colorpoint-Stone Effects
 PART NO:
 PAGE 1 OF 1 REV: 0