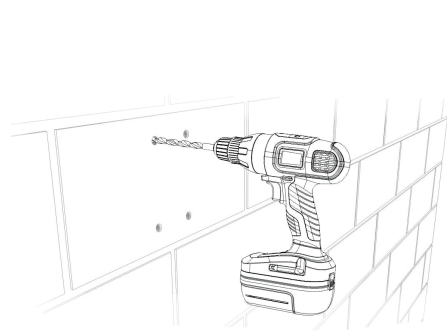
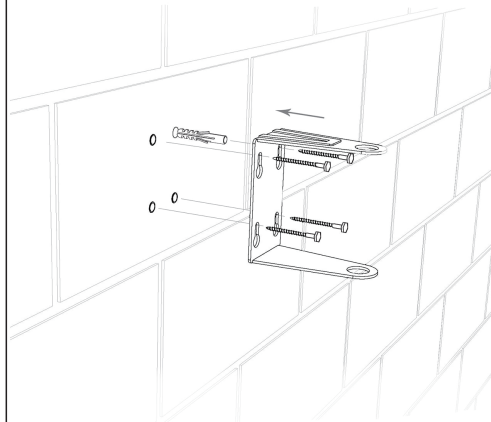


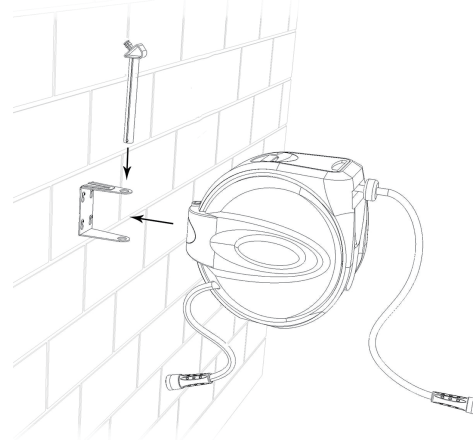
Assembly Instructions



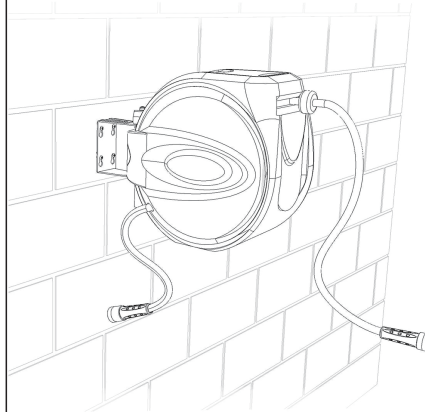
Use the template provided in this instruction manual to mark hole location on a sturdy wall
Use appropriate 1/2" drill bit and drill 4 holes at least 2.5" deep



Insert the anchors provided into the 4 holes. They should be flush with the wall. Use the provided screws to attach bracket



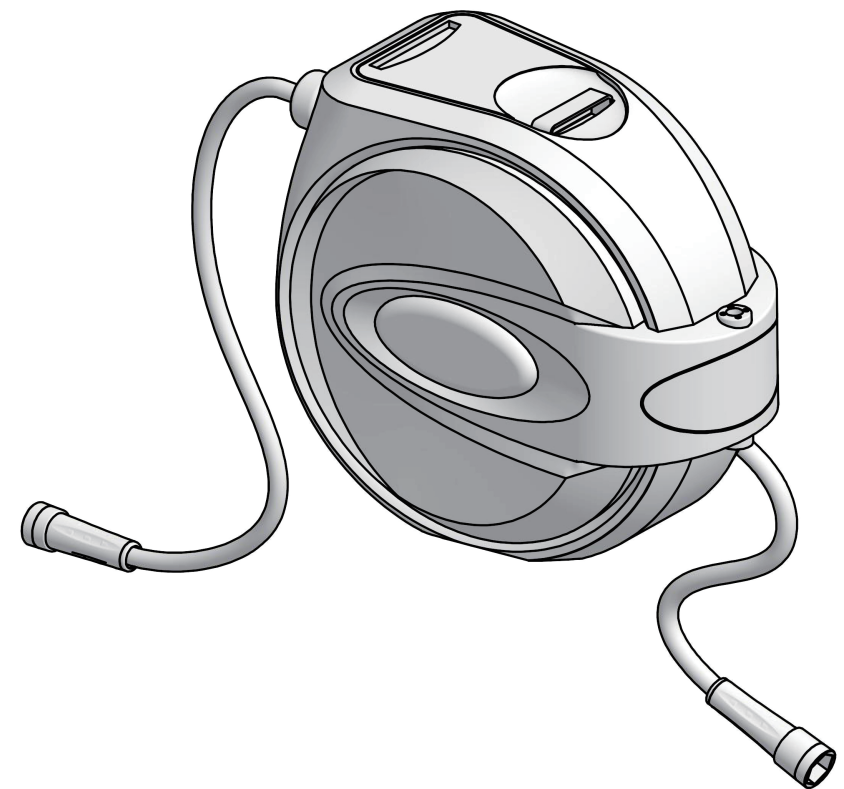
Align Power Reel mounting hole with holes in bracket. Slide Pin through all holes to secure. Unit should rotate freely



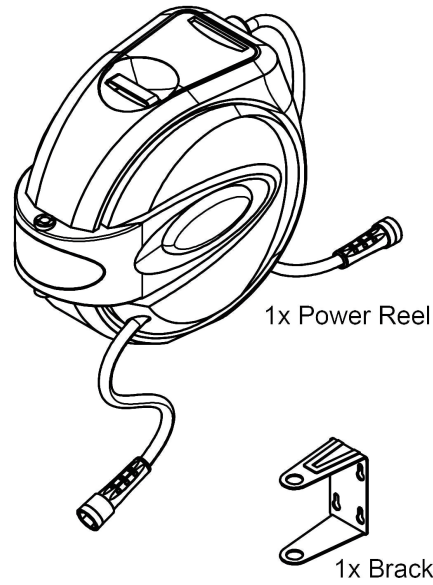
Completed Installation



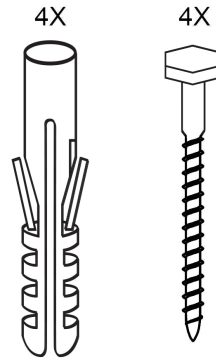
BL-GW050/GW075/GW100



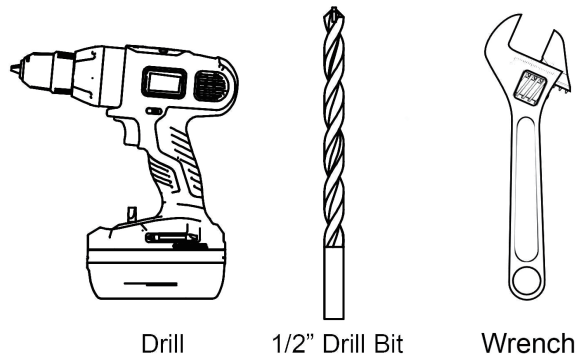
PARTS



Actual Size

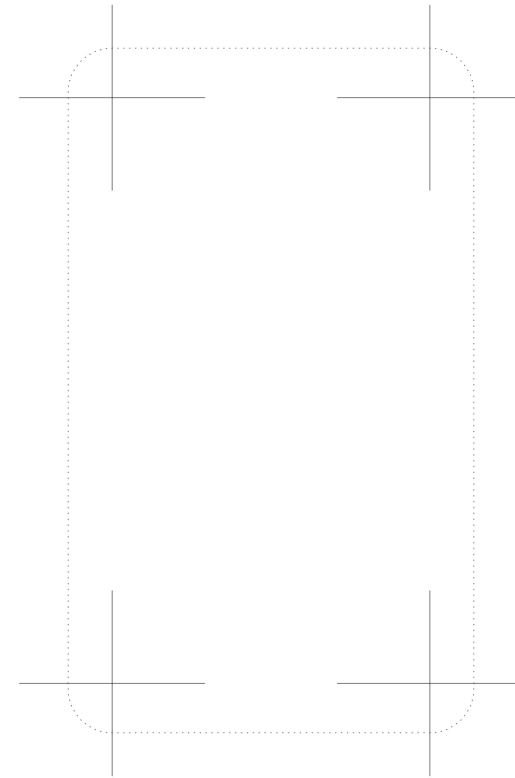


What you will need



TEMPLATE

↑
UP



Mark the wall where you are mounting your Retractable Power Hose Reel at the center of the four crosshairs.

Use 1/2" Concrete Drill bit to drill a hole at the center of each crosshair. Drill holes at least 2" deep.