

FFTR1835VW  
FFTR1835VB  
FFTR1835VS

Top Freezer Refrigerator

18.3 Cu. Ft. Top Freezer Refrigerator

Available Colors : White, Black, Stainless Steel

Version : 06/19



## Product Specifications

### Refrigerator

Gallon Door Bins	2 Full Width White
Adjustable Shelves	2 Glass
Crispers	2 Clear w/ Rollers
Half-Gallon Door Bins	1 Full Width White
Humidity Controls	2
Lighting Design	LED
Meat/Deli Drawer	Half Width Sliding

### Freezer

Adjustable Shelves	1 Glass
Defrost	Frost Free
Fixed Door Bins	2 White

### Electrical Specifications

Amps @ 120 Volts	3.0A
Connected Load @ 120V	0.36kW
Min Circuit Required	15A

### Dimensions: Exterior

Cabinet Depth	26-5/8"
Cabinet Depth (w/Handle)	30-3/8"
Depth	30-3/8"
Depth(w/ 90° Door Open)	57"
Height	65-7/8"
Height (Top of Door)	66-3/8"
Width	30"

### Exterior

Cabinet Finish	Textured
Door and Handle Design	Integrated
Reversible Door	Yes

### Controls

Control Location	Knob/Slider
Control Type	Electro-Mechanical

### Certifications & Approvals

ENERGY STAR® Certified	No
UL Listed	Yes
ADA Compliant	Yes

### Capacities

Freezer (Cu. Ft.)	4.9
Fresh Food Capacity (Cu Ft)	13.4

### Ice Maker

Ice Maker	Optional IM117
-----------	----------------

### General Specifications

Shipping Weight (lbs)	164
-----------------------	-----

Note: For planning purposes only. Always consult local and national electric, gas and plumbing codes. Refer to Product Installation Guide for detailed installation instructions on the web at [frigidaire.com/frigidaire.ca](http://frigidaire.com/frigidaire.ca). Specifications subject to change. Accessories information available on the web at [frigidaire.com/frigidaire.ca](http://frigidaire.com/frigidaire.ca)

FFTR1835VW  
FFTR1835VB  
FFTR1835VS

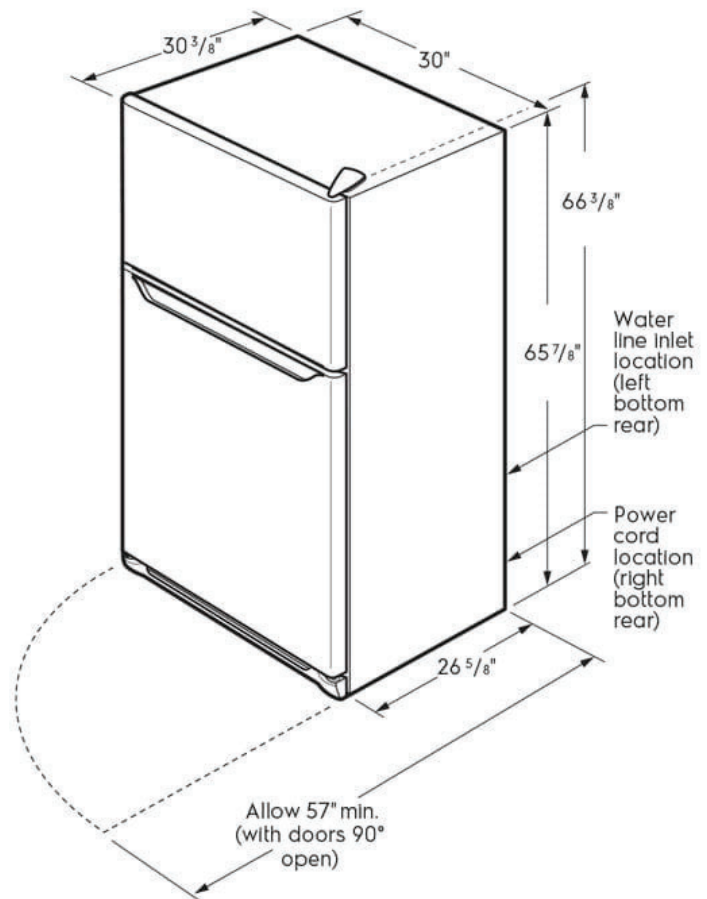
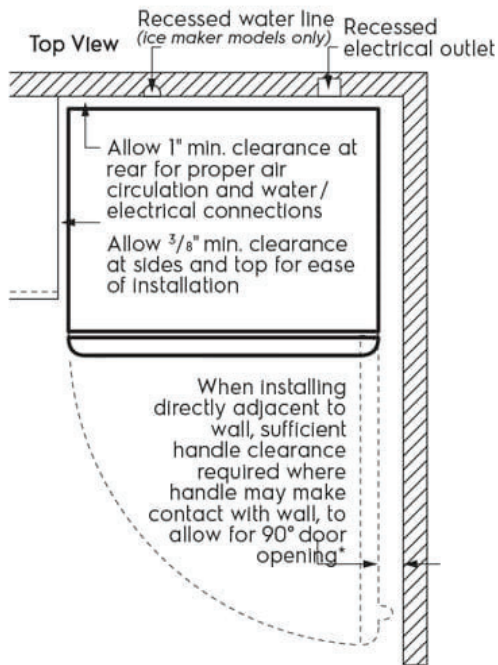
Top Freezer Refrigerator

18.2 Cu. Ft. Top Freezer Refrigerator

Available Colors : White, Black, Stainless Steel

Version : 06/19

## Installation Drawing



\* When installing refrigerator adjacent to wall, cabinet or other appliance that extends beyond front edge of unit, 20" minimum clearance recommended to allow for optimum 140° door swing, providing complete crisper access and removal. (Absolute 3" minimum clearance will ONLY allow for 90° door swing which will provide limited crisper access with restricted removal.)

Note: For planning purposes only. Always consult local and national electric, gas and plumbing codes. Refer to Product Installation Guide for detailed installation instructions on the web at [frigidaire.com](http://frigidaire.com) / [frigidaire.ca](http://frigidaire.ca). Specifications subject to change. Accessories information available on the web at [frigidaire.com](http://frigidaire.com) / [frigidaire.ca](http://frigidaire.ca)