

MICROWAVE/ WALL OVEN COMBINATION INSTALLATION INSTRUCTIONS

INSTALLATION AND SERVICE MUST BE PERFORMED BY A QUALIFIED INSTALLER.
IMPORTANT: SAVE FOR LOCAL ELECTRICAL INSPECTOR'S USE.
READ AND SAVE THESE INSTRUCTIONS FOR FUTURE REFERENCE.

United States
and Canada



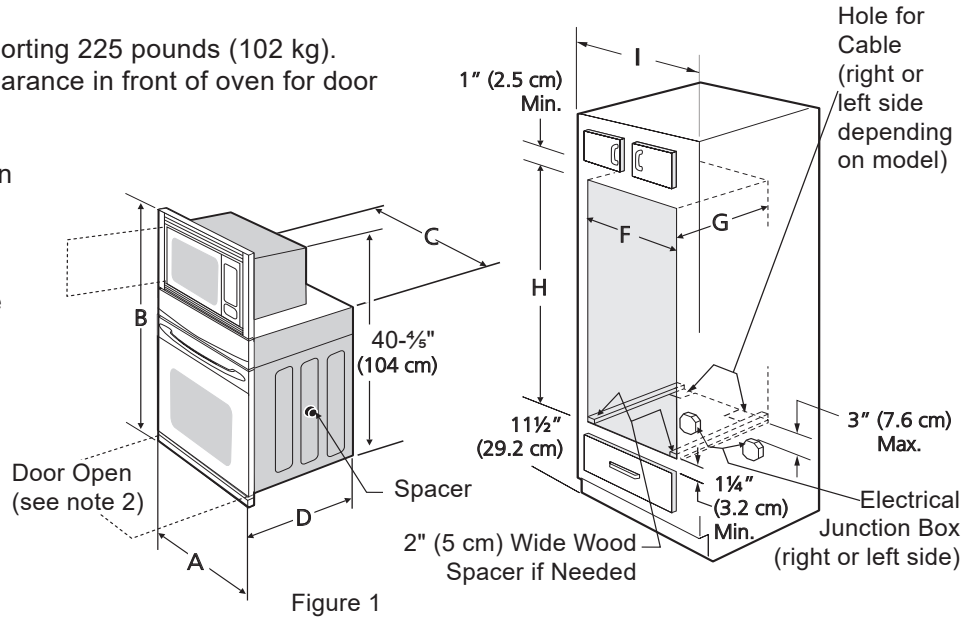
⚠ WARNING FOR YOUR SAFETY: Do not store or use gasoline or other flammable vapors and liquids in the vicinity of this or any other appliance.

Your new wall oven has been designed to fit a limited variety of cutout sizes to make the job of installing easier. The first step of your installation should be to measure your current cutout dimensions and compare them to the cutout dimensions chart below for your model. You may find little or no cabinet work is necessary.

⚠ WARNING Do not remove spacers (if equipped) on the side walls and/or on the back of the built-in oven. These spacers center the oven in the space provided. The oven must be centered to prevent excess heat buildup that may result in heat damage or fire.

NOTES:

1. Base must be capable of supporting 225 pounds (102 kg).
2. Allow at least 21" (53.3cm) clearance in front of oven for door depth when it is open.
3. Dimension G (cutout depth) is critical to the proper installation of the built-in oven. If the oven decorative trim does not butt against the cabinet verify dimension G to assure it is the required depth.



* Suggested distance from floor is 11 1/2" (29.2 cm).
Minimum required distance is 4 1/2" (11.4 cm)

PRODUCT DIMENSIONS						
MODEL	A		B	C		D
27" (68.8cm) Wall Oven	27 (68.6)		42 5/8 (108.8)	24 5/8 (62.5)		24 3/4 (62.9)
30" (76.2cm) Wall Oven	30 (76.2)		42 1/4 (107.7)	28 1/4 (71.8)		24 3/4 (62.9)
CUTOUT DIMENSIONS AND CABINET WIDTH						
MODEL	F		G. Min.	H		I
	Min.	Max.		Min.	Max.	
27" (68.8cm) Wall Oven	24 7/8 (63.2)	25 1/4 (64.1)	23 3/4 (60.3)	41 1/8 (104.5)	41 1/4 (104.8)	27 1/8 (68.9) Min
30" (76.2cm) Wall Oven	28 1/2 (72.4)	29 (73.7)	23 3/4 (60.3)	41 1/8 (104.5)	41 1/4 (104.8)	30 1/8 (76.5) Min

All dimensions are stated in inches and (cm).

MICROWAVE/ WALL OVEN COMBINATION INSTALLATION INSTRUCTIONS

Important Notes to the Installer

1. Read all instructions contained in these installation instructions before installing the combination oven.
2. Remove all packing material from the oven compartments before connecting the electrical supply to the wall oven.
3. Observe all governing codes and ordinances.
4. Be sure to leave these instructions with the consumer.
5. Oven door may be removed to facilitate installation.
6. THIS COMBINATION OVEN IS NOT APPROVED FOR STACKABLE OR SIDE-BY-SIDE INSTALLATION.

Important Note to the Consumer

Keep these instructions with your Owner's Guide for future reference. Do not discard oven removal tools found in the literature bag.

IMPORTANT SAFETY INSTRUCTIONS

- Be sure your combination oven is installed and grounded properly by a qualified installer or service technician.
- This wall oven must be electrically grounded in accordance with local codes or, in their absence, with the National Electrical Code ANSI/NFPA No.70-latest edition in United States, or with CSA Standard C22.1, Canadian Electrical Code, Part 1, in Canada.

⚠ WARNING Stepping, leaning or sitting on the door of this wall oven can result in serious injuries and can also cause damage to the wall oven.

- Never use your wall oven for warming or heating the room. Prolonged use of the wall oven without adequate ventilation can be dangerous.

⚠ WARNING The electrical power to the oven must be shut off while line connections are being made. Failure to do so could result in serious injury or death.

1. Carpentry

Refer to figure 1 for the dimensions applicable to your appliance, and the space necessary to receive the combination oven. The oven support surface may be solid plywood or similar material, however the surface must be leveled from side to side and from front to rear.

2. Electrical Requirements

This appliance must be supplied with the proper voltage and frequency, and connected to an individual, properly grounded branch circuit, protected by a circuit breaker or fuse. To know the circuit breaker or fuse required by your model, see the serial plate to find the wattage consumption and refer to table A to get the circuit breaker or fuse amperage.

Observe all governing codes and local ordinances

Appliance Rating Watts 240V	Protection Circuit Recommended	Appliance Rating Watts 208V	Protection Circuit Recommended
Less than 4800W	20A	Less than 4100W	20A
4801W - 7200W	30A	4101W - 6200W	30A
7201W - 9600W	40A or 50A	6201W - 8300W	40A or 50A
9601W and +	50A	8301W and +	50A

Figure 2

- 1.A 3-wire or 4-wire single phase 120/240 or 120/208 Volt, 60 Hz AC only electrical supply is required on a separate circuit fused on both sides of the line (red and black wires). A time-delay fuse or circuit breaker is recommended. DO NOT fuse neutral (white wire). Only certain cooktop models may be installed over certain built-in electric oven models. Approved cooktops and built-in ovens are listed by the MFG ID number (see the insert sheet included in the literature package).

NOTE: Wire sizes and connections must conform with the fuse size and rating of the appliance in accordance with the American National Electrical Code ANSI/NFPA No. 70-latest edition, or with Canadian CSA Standard C22.1, Canadian Electrical Code, Part 1, and local codes and ordinances.

⚠ WARNING An extension cord should not be used with this appliance. Such use may result in a fire, electrical shock, or other personal injury. If you need a longer power cord you can purchase a 10' (3 m) power cord kit #903056-9010 by calling the Service Center.

2. These appliances should be connected to the fused disconnect (or circuit breaker) box through flexible armored or nonmetallic sheathed cable. The flexible armored cable extending from the appliance should be connected directly to the junction box. The junction box should be located as shown in Figure 1 and with as much slack as possible remaining in the cable between the box and the appliance, so it can be moved if servicing is ever necessary.
3. A suitable strain relief must be provided to attach the flexible armored cable to the junction box.

MICROWAVE/ WALL OVEN COMBINATION INSTALLATION INSTRUCTIONS

⚠ WARNING

Electrical Shock Hazard

- Electrical ground is required on this appliance.
- Do not connect to the electrical supply until appliance is permanently grounded.
- Disconnect power to the junction box before making the electrical connection.
- This appliance must be connected to a grounded, metallic, permanent wiring system, or a grounding connector should be connected to the grounding terminal or wire lead on the appliance.
- Do not use a gas supply line for grounding the appliance.

Failure to do any of the above could result in a fire, personal injury or electrical shock.

⚠ CAUTION In cold weather shipping and storage conditions, make sure that oven is in final location at least three (3) hours before switching on power. Switching on power while oven is still cold may damage the oven controls.

3. Electrical connection

It is the responsibility and obligation of the consumer to contact a qualified installer to assure that the electrical installation is adequate and is in conformance with the National Electrical Code ANSI/NFPA No. 70-latest edition, or with CSA Standard C22.1, Canadian Electrical Code, Part 1, and local codes and ordinances.

⚠ WARNING Risk of electrical shock (Failure to heed this warning may result in electrocution or other serious injury.) This appliance is equipped with copper lead wire. If connection is made to aluminum house wiring, use only connectors that are approved for joining copper and aluminum wire in accordance with the National Electrical Code and local code and ordinances. When installing connectors having screws which bear directly on the steel and/or aluminum flexible conduit, do not tighten screws sufficiently to damage the flexible conduit. Do not over bend or excessively distort flexible conduit to avoid separation of convolutions en exposure of internal wires.

DO NOT ground to a gas supply pipe. DO NOT connect to electrical power supply until appliance is permanently grounded. Connect the ground wire before turning on the power.

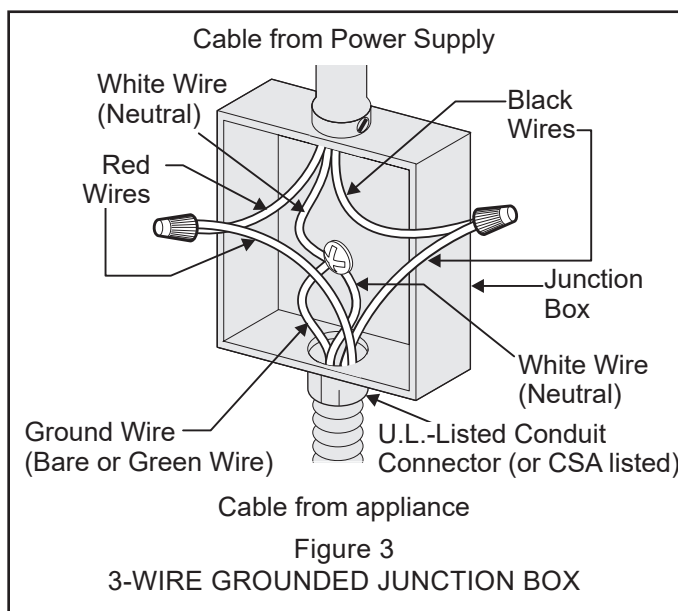
⚠ WARNING (If your appliance is equipped with a white neutral conductor.)

This appliance is manufactured with a white neutral power supply and a frame connected copper wire. The frame is grounded by connection of grounding lead to neutral lead at the termination of the conduit, if used in USA, in a new branch circuit installation (1996 NEC), mobile home, recreational vehicles, where local code do not permit grounding through the neutral (white) wire or in Canada, disconnect the white and green lead from each other and use ground lead to ground unit in accordance with local codes, connect neutral lead to branch circuit-neutral conductor in usual manner see Figure 4. If your appliance is to be connected to a 3 wire grounded junction box (US only), where local code permit connecting the appliance-grounding conductor to the neutral (white) see Figure 3.

NOTE TO ELECTRICIAN: The armored cable leads supplied with the appliance are UL-recognized for connection to larger gauge household wiring. The insulation of the leads is rated at temperatures much higher than temperature rating of household wiring. The current carrying capacity of the conductor is governed by the temperature rating of the insulation around the wire, rather than the wire gauge alone.

Where local codes permit connecting the appliance-grounding conductor to the neutral (white) wire (US Only) (see figure 3):

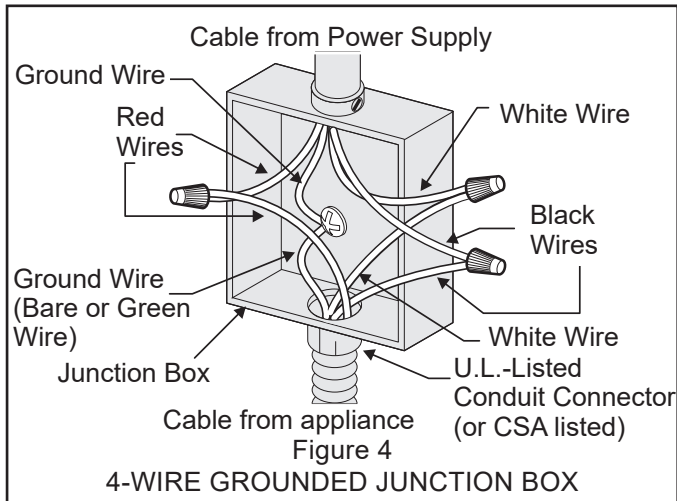
1. Disconnect the power supply.
2. In the junction box:
Connect appliance and power supply cable wires as shown in Figure 3.



MICROWAVE/ WALL OVEN COMBINATION INSTALLATION INSTRUCTIONS

If oven is used in a new branch circuit installation (1996 NEC), mobile home, recreational vehicle, or where local codes DO NOT permit grounding through the neutral (white) wire, the appliance frame MUST NOT be connected to the neutral wire of the 4-wire electrical system. (see figure 4):

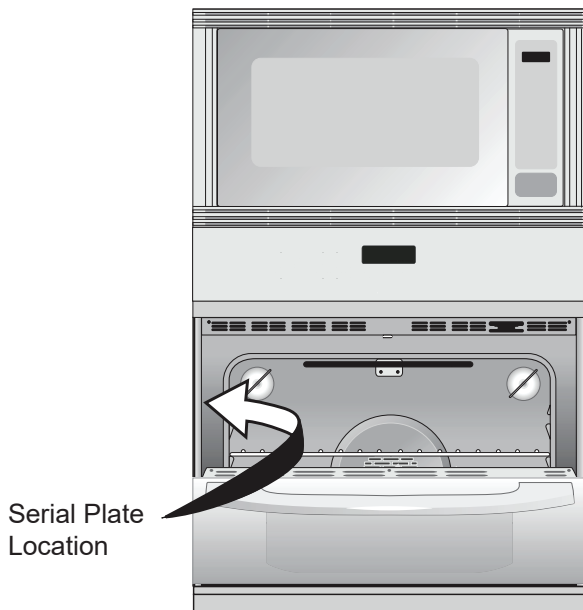
1. Disconnect the power supply.
2. Separate the green (or bare copper) and white appliance cable wires.
3. In the junction box:
Connect appliance and power supply cable wires as shown in Figure 4.



Model and Serial Number Location

The serial plate is located along the interior side trim of the oven and visible when the door is opened.

When ordering parts for or making inquiries about your oven, always be sure to include the model and serial numbers and a lot number or letter from the serial plate on your oven.



4. Cabinet Installation

IMPORTANT NOTE

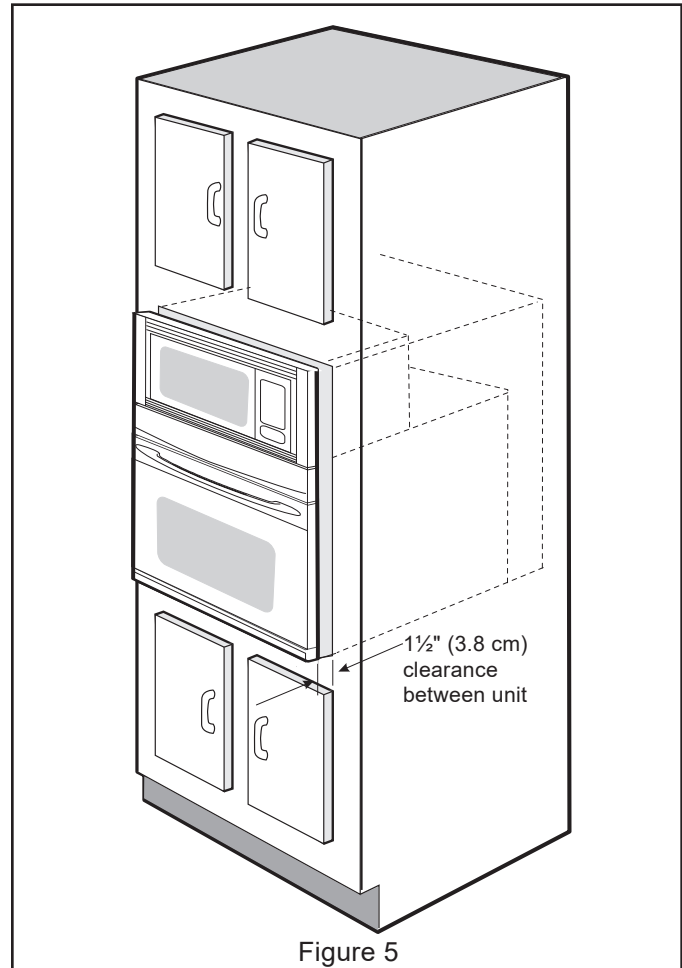
Do not lift the oven by the door handle.

⚠ WARNING

Heavy Weight Hazard

- Use 2 or more people to move and install wall oven.
- Failure to follow this instruction can result in injury or damage to the unit.

1. Unpack the wall oven. Remove the bottom trim taped on the oven side panel.
2. Find the 2 anti-tip mounting screws included in the oven cavity.
3. Insert the oven into the cabinet opening. Slide oven inward leaving 1½" (3.8 cm) clearance between the oven and front of cabinet (see Figure 5).
4. Pull the armored cable through the hole for it in the cabinet and toward the junction box while moving the appliance inward.
5. Push the oven in and against the cabinet.



MICROWAVE/ WALL OVEN COMBINATION INSTALLATION INSTRUCTIONS

6. Install the Anti-tip Mounting Screws

⚠ WARNING The wall oven can tip when the door is open. The anti-tip mounting screws supplied with the wall oven must be installed to prevent tipping of the wall oven and injury to persons.

A. The mounting holes in the side trims may be used as a template to locate the appliance mounting screw holes (see figure 6).

B. Use the two screws supplied to fix the appliance to the cabinet.



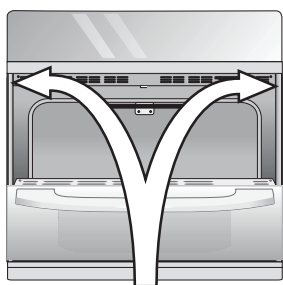
Figure 6

⚠ WARNING Tip Over Hazard



- A child or adult can tip the oven and be killed.
- Install the anti-tip device to oven and/or structure per installation instructions.

- Ensure the anti-tip device is re-engaged when the oven is moved.
- Do not operate the oven without the anti-tip device in place and engaged.
- Failure to follow these instructions can result in death or serious burns to children and adults.



Anti-tip mounting holes

Refer to the installation instructions supplied with your appliance for proper installation.

Check for proper installation with a visual check that the anti-tip screws are present. Test the installation with light downward pressure on the open oven door. The oven should not tip forward.

7. Install the Bottom Trim

⚠ CAUTION Bottom trims must be installed for the oven to function properly. DO NOT operate the oven without bottom oven trims installed. Do not use wood or any other trim that is not manufactured for use with this model. Operating the appliance without manufacturer's bottom trims properly installed may cause personal injury and may damage cabinetry or the appliance.

Screws to attach the bottom trim are supplied with the oven. The trims are easier to install if the door is removed. See the Use and Care Manual for instructions on how to remove the oven door.

All 30" Models:

A. Place the air diverter (A) in place as shown in Figure 7. Line up screw locations and attach both ends.

B. Place the color matched trim (B) in place as shown. Line up screw locations and attach both ends.

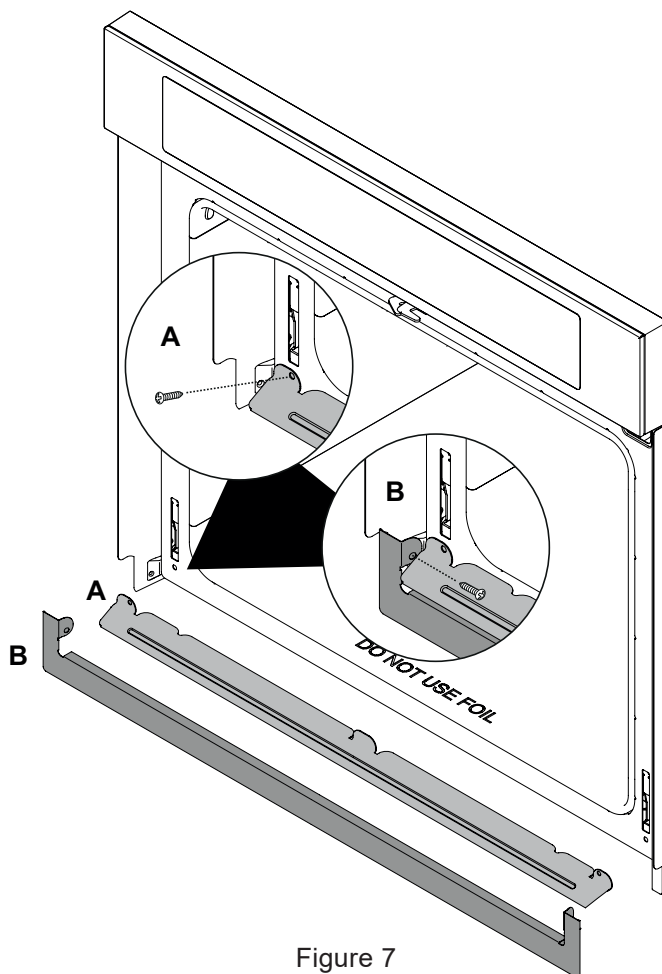


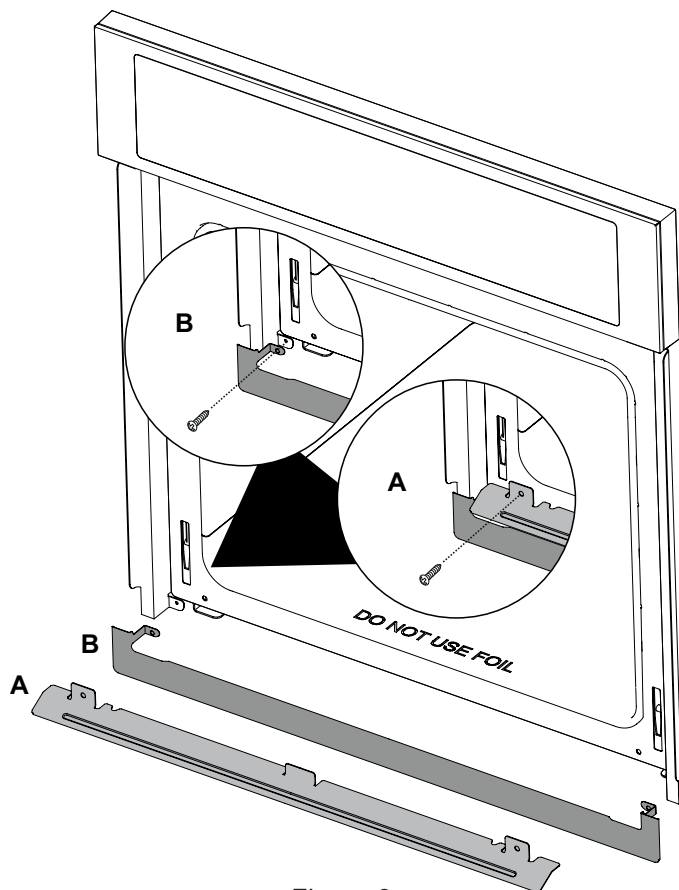
Figure 7

MICROWAVE/ WALL OVEN COMBINATION INSTALLATION INSTRUCTIONS

All 27" Models:

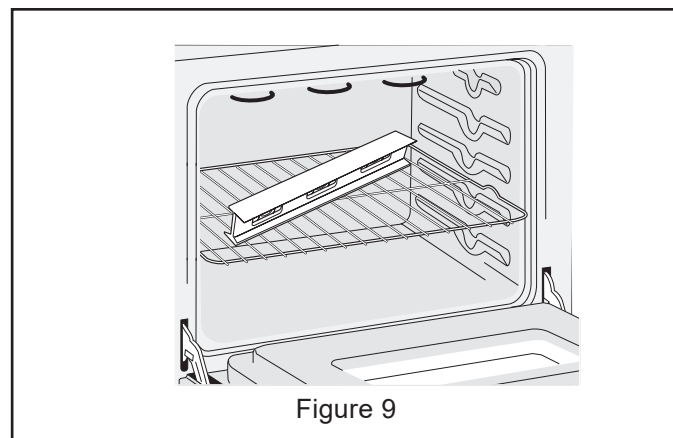
A. Place the color matched trim (B) in place as shown in Figure 8. Line up screw locations and attach both ends.

B. Place the air diverter (A) in place as shown. Line up screw locations and attach both ends.



5. Leveling the Wall Oven

1. Install an oven rack in the center of the upper oven (see Figure 9).
2. Place a level on the rack. Take 2 readings with the level placed diagonally in one direction and then the other. Use wood shims under the wall oven to level if necessary.
3. Repeat in the lower oven if you have a double cavity wall oven. If the level indicates that the rack is not level, use wood shims to reach a compromise for both ovens.



IMPORTANT NOTE

A cooling fan inside the upper rear part above the oven (some models) provides cooling of the oven electrical and electronic components. If the oven has been operating at high temperatures, the fan will continue to run after the oven is turned off.

6. Checking Operation

Your model is equipped with an Electronic Oven Control. Each of the functions has been factory checked before shipping. However, it is suggested that you verify the operation of the electronic oven controls once more. Refer to the Use and Care Guide for operation.

1. Remove all items from the inside of the oven.
2. Turn on the power to the oven (Refer to your Use & Care Guide.)
3. Verify the operation of the electronic oven controls:
 - Bake - Verify that this function makes the oven hot. 20 seconds after turning oven on, open the door and you should feel heat coming from the oven.
 - Broil - When the oven is set to BROIL, the upper element in the oven should become red.

Before You Call for Service

Read the Before You Call for Service Checklist and operating instructions in your Use and Care Guide. It may save you time and expense. The list includes common occurrences that are not the result of defective workmanship or materials in this appliance.

Refer to your Use and Care Guide for service phone numbers.

COMBINACIÓN DE HORNO DE PARED/HORNO MICROONDAS

INSTRUCCIONES DE INSTALACIÓN

LA INSTALACIÓN Y EL SERVICIO DEBEN SER REALIZADOS POR UN INSTALADOR CALIFICADO.
 IMPORTANTE: CONSERVE ESTAS INSTRUCCIONES PARA
 USO DEL INSPECTOR LOCAL DE ELECTRICIDAD.
 LEA Y CONSERVE ESTAS INSTRUCCIONES PARA REFERENCIA FUTURA.

Estados Unidos y
 Canadá



⚠ ADVERTENCIA PARA SU SEGURIDAD: No almacene ni utilice gasolina ni otros líquidos o vapores inflamables cerca de este o de cualquier otro electrodoméstico.

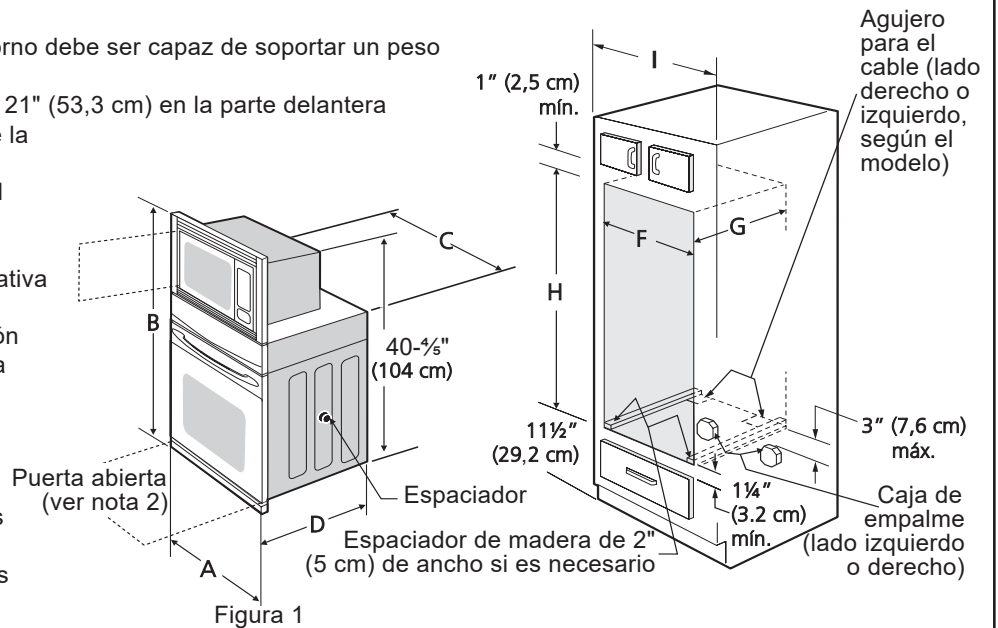
Su nuevo horno de pared ha sido diseñado para adaptarse a una variedad limitada de tamaños de espacio para facilitar el trabajo de instalación. El primer paso para la instalación debe ser medir las dimensiones actuales de su espacio y compararlas con la tabla de dimensiones de espacio a continuación para su modelo. Es posible que descubra que es necesario poco o ningún trabajo de gabinete.

⚠ ADVERTENCIA No retire los espaciadores (si viene equipado) en las paredes laterales o en la parte trasera del horno empotrable. Estos espaciadores centran el horno en el espacio provisto. El horno debe centrarse para evitar la acumulación de calor excesiva que puede causar daños por calor o incendio.

NOTAS:

1. La base en que se coloque el horno debe ser capaz de soportar un peso de 225 libras (102 kilogramos).
2. Permita un espacio de al menos 21" (53,3 cm) en la parte delantera del horno para la profundidad de la puerta cuando está abierta.
3. La dimensión G (profundidad del espacio) es fundamental para la instalación adecuada del horno empotrable. Si la moldura decorativa del horno no se empalma contra el gabinete, verifique la dimensión G para asegurarse de que sea la profundidad requerida.

* La distancia del piso sugerida es de 11½" (29,2 cm).
 La distancia mínima requerida es de 4 ½" (11,4 cm)



DIMENSIONES DEL PRODUCTO						
MODELO	A	B	C	D		
Horno de pared de 27" (68,6 cm)	27 (68,6)	42 ⁵ / ₈ (108,8)	24 ⁵ / ₈ (62,5)	24 ³ / ₄ (62,9)		
Horno de pared de 30" (76,2 cm)	30 (76,2)	42 ¹ / ₄ (107,7)	28 ³ / ₄ (71,8)	24 ³ / ₄ (62,9)		
DIMENSIONES DEL ESPACIO Y ANCHO DEL MUEBLE DE BASE						
MODELO	F		G. mín.	H		I
	Mín.	Máx.		Mín.	Máx.	
Horno de pared de 27" (68,6 cm)	24 ⁷ / ₈ (63,2)	25 ¹ / ₄ (64,1)	23 ³ / ₄ (60,3)	41 ¹ / ₈ (104,5)	41 ¹ / ₄ (104,8)	27 ¹ / ₈ (68,9) mín.
Horno de pared de 30" (76,2 cm)	28 ¹ / ₂ (72,4)	29 (73,7)	23 ³ / ₄ (60,3)	41 ¹ / ₈ (104,5)	41 ¹ / ₄ (104,8)	30 ¹ / ₈ (76,5) mín.

Todas las dimensiones se indican en pulgadas y (centímetros entre paréntesis).

COMBINACIÓN DE HORNO DE PARED/HORNO MICROONDAS

INSTRUCCIONES DE INSTALACIÓN

Notas importantes para el instalador

1. Antes de instalar la combinación de horno, lea todas las instrucciones de instalación.
2. Antes de conectar el suministro de electricidad al horno de pared, retire todo el material de empaque de los compartimientos del horno.
3. Asegúrese de que se cumplan todas las normas y los códigos relevantes.
4. Asegúrese de dejar estas instrucciones en poder del usuario.
5. Se puede quitar la puerta del horno para facilitar la instalación.
6. **ESTA COMBINACIÓN DE HORNO NO ESTÁ APROBADA PARA LA INSTALACIÓN APILABLE O DE DOS PUERTAS.**

Nota importante para el usuario

Conserve estas instrucciones, junto con la guía del propietario, para cualquier referencia futura. No deseche las herramientas de desinstalación del horno que se encuentran en la bolsa con los manuales.

INSTRUCCIONES IMPORTANTES DE SEGURIDAD

- Asegúrese de que su combinación de horno sea instalada y conectada a tierra correctamente por un instalador calificado o un técnico del servicio.
- Este horno de pared debe tener una conexión a tierra según lo establecido en los códigos locales o, ante la ausencia de estos, de acuerdo con lo estipulado en el Código Nacional de Electricidad (National Electrical Code) ANSI/NFPA No. 70, última versión en los Estados Unidos, o con la Norma CSA C22.1 del Código Canadiense de Electricidad, Parte 1, en Canadá.

⚠ ADVERTENCIA Si se para, se apoya o se sienta en las puertas de este horno de pared, puede provocar lesiones personales graves y puede también dañar el horno de pared.

- Nunca utilice su horno de pared para calentarse o calentar la habitación. El uso prolongado del horno de pared sin la ventilación adecuada puede resultar muy peligroso.

⚠ ADVERTENCIA Se debe desconectar la energía eléctrica del horno cuando se realizan las conexiones de la línea. De lo contrario, esto podría provocar lesiones graves o la muerte.

1. Acoplamiento en mueble/espacio

Para determinar las dimensiones aplicables del aparato y el espacio necesario donde irá acoplado, véase la figura 1.

1. La superficie de soporte del horno debe estar hecha de "plywood" (madera contrachapada) o cualquier otro material similar; además, la superficie debe estar nivelada en relación con todos sus lados: derecha/izquierda, delante/detrás.

2. Requisitos eléctricos

Este electrodoméstico debe estar suministrado con el voltaje y la frecuencia correctos y debe conectarse a un circuito independiente con conexión a tierra protegido con un disyuntor o un fusible. Para conocer cuál es el disyuntor o el fusible requerido por su modelo, consulte la placa de serie para ver el consumo de potencia y consulte la tabla A para obtener el amperaje del disyuntor o el fusible. Asegúrese de que se cumplan todas las normas y los códigos locales relevantes.

Vatios de capacidad del electrodoméstico 240 V	Circuito de protección recomendado	Vatios de capacidad del electrodoméstico 208 V	Circuito de protección recomendado
Menos de 4800 vatios	20 A	Menos de 4100 vatios	20 A
4801 vatios a 7200 vatios	30 A	4101 vatios a 6200 vatios	30 A
7201 vatios a 9600 vatios	40 A o 50 A	6201 vatios a 8300 vatios	40 A o 50 A
9601 vatios y +	50 A	8301 vatios y +	50 A

Figura 2

1. Se requiere un suministro de trifilar o tetrafilar de 1 fase de 120/240 o 120/208 V, 60 Hz de CA solamente eléctrico en un circuito separado con fusible en ambos lados de la línea (cables rojos y negros). Se recomienda un fusible o un disyuntor de acción retardada. NO utilice un fusible en el circuito neutro (cable blanco). Solo algunos modelos de cubiertas pueden instalarse sobre ciertos modelos de hornos eléctricos empotrables. Las cubiertas y los hornos empotrables aprobados se enumeran con el número de identificación de MFG (vea la hoja de inserto incluida en la documentación).

NOTA: Los tamaños y las conexiones de los cables deben cumplir con el tamaño y la potencia de los fusibles del aparato de acuerdo con el Código Eléctrico Nacional Estadounidense ANSI/NFPA No. 70, última versión, o con la Norma Canadiense CSA C22.1 del Código Canadiense de Electricidad, Parte 1, y los códigos y leyes locales.

⚠ ADVERTENCIA No se debe usar un cordón de extensión con este electrodoméstico. Esto puede causar un incendio, choque eléctrico u otras lesiones personales. Si necesita un cable eléctrico más largo, puede comprar un kit de cable eléctrico de 10' (3 m) #903056-9010; comuníquese con el Centro de Servicio.

2. Estos electrodomésticos deben conectarse a la caja de desconexión de fusibles (o disyuntor) a través de un cable forrado flexible blindado no metálico. El cable flexible blindado que se extiende desde el electrodoméstico debe conectarse directamente a la caja de empalme. La caja de empalme debe estar ubicada como se muestra en la Figura 1 con el resto lo más holgado posible en el cable entre la caja y el electrodoméstico, para que pueda moverse en caso de que el servicio sea alguna vez necesario.
3. Se debe proporcionar un dispositivo de liberación adecuado para adjuntar el cable flexible blindado a la caja de empalme.

COMBINACIÓN DE HORNO DE PARED/HORNO MICROONDAS

INSTRUCCIONES DE INSTALACIÓN

⚠ ADVERTENCIA

Riesgo de choque eléctrico

- Se requiere conexión a tierra en este electrodoméstico.
- No conecte al suministro eléctrico hasta que el electrodoméstico esté debidamente puesto a tierra.
- Desconecte el suministro eléctrico a la caja de empalme antes de hacer la conexión eléctrica.
- Este electrodoméstico debe conectarse a un sistema eléctrico metálico permanente puesto a tierra, o un conector a tierra debe conectarse al terminal de conexión a tierra o cable en el electrodoméstico.
- No use una línea de suministro de gas para la conexión a tierra del electrodoméstico.

El incumplimiento con cualquiera de las indicaciones anteriores podría causar un incendio, lesiones personales o choque eléctrico.

⚠ PRECAUCIÓN Para el envío y el almacenamiento en climas fríos, asegúrese de que el horno se encuentre en su ubicación final al menos tres (3) horas antes de encender la energía. Encender la energía cuando el horno aún está frío podría dañar los controles del horno.

3. Conexión eléctrica

El usuario tiene la responsabilidad y la obligación de comunicarse con un instalador calificado para asegurarse de que la instalación eléctrica sea adecuada y de conformidad con el Código Eléctrico Nacional ANSI/NFPA No. 70, última versión, o con la Norma CSA C22.1 del Código Canadiense de Electricidad, Parte 1, y los códigos y leyes locales.

⚠ ADVERTENCIA Riesgo de choque eléctrico (el caso omiso de esta advertencia puede provocar electrocución u otras lesiones graves.) Este aparato está equipado con cable de cobre. Si la conexión se realiza a un cableado de aluminio, utilice solamente conectores que estén aprobados para empalmar cobre y aluminio de acuerdo con el Código Eléctrico Nacional y los códigos y leyes locales. Cuando instale conectores con tornillos que se fijen directamente en el conducto flexible de acero o aluminio, no apriete los tornillos lo suficiente como para dañar el conducto flexible. No incline demasiado ni distorsione de manera excesiva el conducto flexible para evitar la separación de las convoluciones en la exposición de los cables internos.

NO ponga a tierra en un tubo de suministro de gas. NO conecte al suministro eléctrico hasta que el electrodoméstico esté debidamente puesto a tierra. Conecte la conexión a tierra antes de encender la energía.

⚠ ADVERTENCIA (Si su electrodoméstico está equipado con un conductor blanco neutral.)

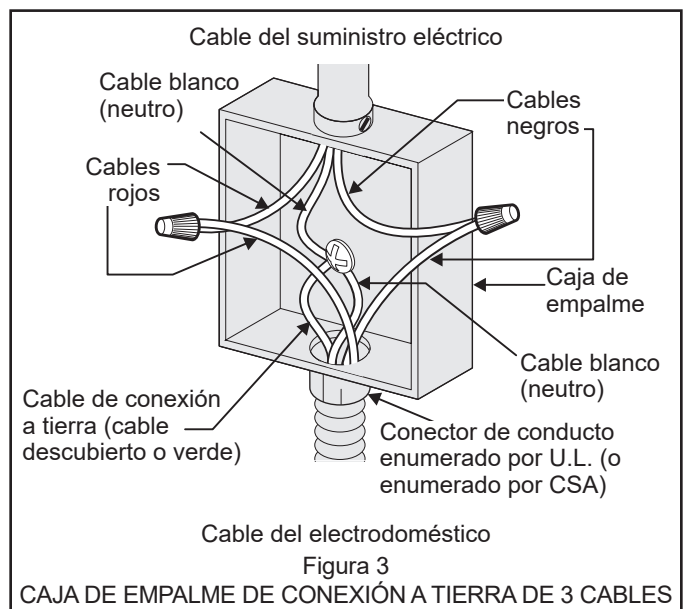
Este electrodoméstico está fabricado con un suministro eléctrico blanco neutral y un cable de cobre conectado al marco. El marco está conectado a tierra mediante la conexión de un cable a tierra a un cable neutro en la terminación del conducto, si se utiliza en Estados Unidos, en una instalación de circuito de bifurcación nueva (1996 NEC), casas rodantes, vehículos recreativos, donde el código local no permite la conexión a tierra a través del cable neutro (blanco) o en Canadá, desconecte el cable blanco y verde uno del otro y utilice un cable a tierra en la unidad a tierra de acuerdo con los códigos locales, conecte el cable neutro a un conductor neutro con circuito de bifurcación de la manera habitual; consulte la Figura 4. Si su electrodoméstico va a conectarse a una caja de empalme de 3 cables con conexión a tierra (solo en los EE. UU.), donde el código local permite conectar el conductor a tierra del electrodoméstico al cable neutro (blanco), vea la Figura 3.

NOTA PARA EL ELECTRICISTA: Los cables blindados proporcionados con el electrodoméstico están aprobados por U.L. para la conexión a un cableado en el hogar de calibre más grande. El aislamiento de los cables se clasifica a temperaturas mucho más altas que la clasificación de temperatura del cableado en el hogar. La capacidad de conducción actual del conductor se rige por la clasificación de temperatura del aislamiento alrededor del cable, en lugar de la aguja fina solamente.

Donde los códigos locales permitan la conexión del conductor a tierra del electrodoméstico al cable neutro (blanco) (solo en los EE. UU.) (vea la figura 3):

1. Desconecte el electrodoméstico del suministro eléctrico.
2. En la caja de empalme:

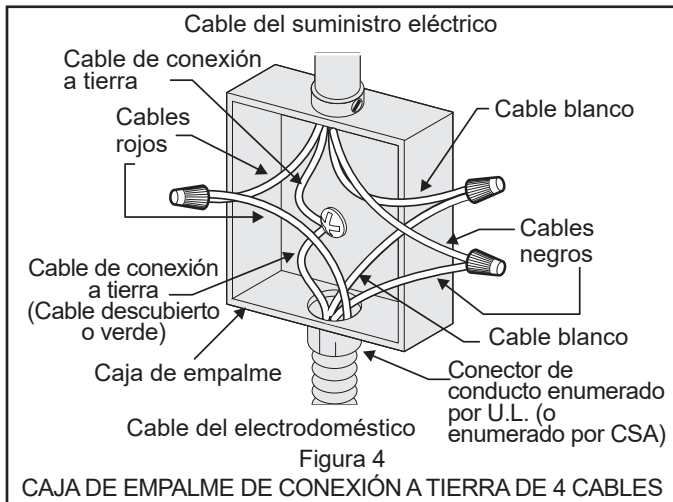
Conecte el electrodoméstico y los cables del suministro eléctrico como se muestra en la figura 3.



COMBINACIÓN DE HORNO DE PARED/HORNO MICROONDAS INSTRUCCIONES DE INSTALACIÓN

Si se utiliza el horno en una instalación de circuito de bifurcación nueva (1996 NEC), casas rodantes, vehículos recreativos, o donde los códigos locales NO permiten la conexión a tierra a través del cable neutro (blanco), el marco del electrodoméstico NO DEBE conectarse al cable neutro del sistema eléctrico de 4 cables. (vea la figura 4):

1. Desconecte el electrodoméstico del suministro eléctrico.
2. Separe los cables verde (o de cobre descubierto) y blanco del electrodoméstico.
3. En la caja de empalme:
Conecte el electrodoméstico y los cables del suministro eléctrico como se muestra en la figura 4.



Ubicación de la placa de número de modelo y de serie

La placa de serie se ubica a lo largo de la moldura lateral interior del horno y está visible cuando la puerta está abierta.

Para realizar pedidos de piezas o realizar consultas sobre el horno, asegúrese de especificar siempre el modelo y los números de serie, así como la letra o el número de lote que figura en la placa del número de serie del horno.



4. Instalación en el mueble

NOTA IMPORTANTE

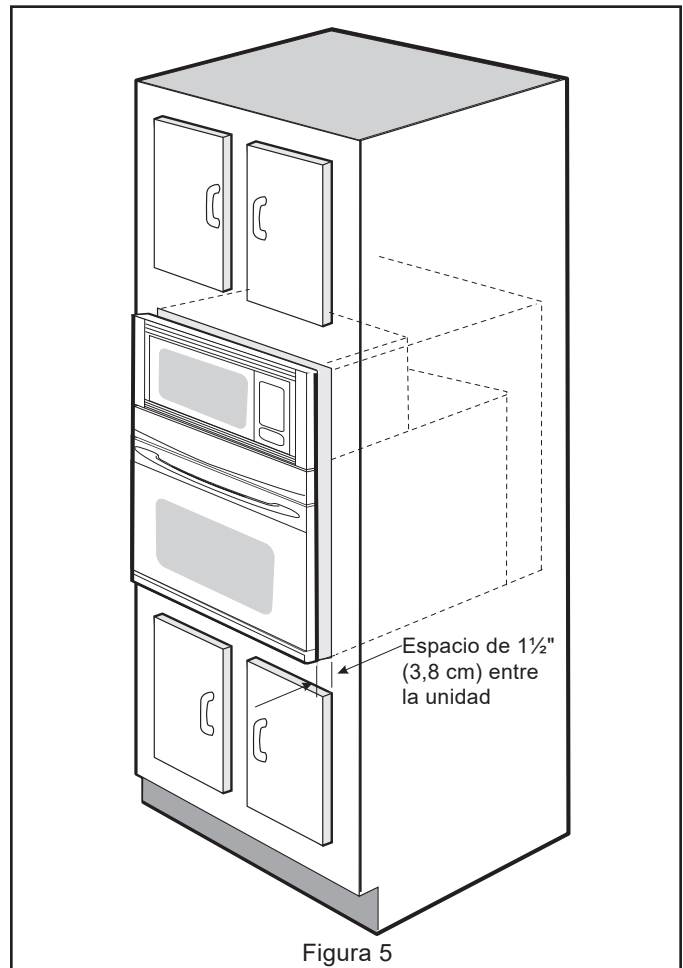
No levante el horno por la manija de la puerta.

⚠ ADVERTENCIA

Peligro de exceso de peso

- Se necesitan 2 o más personas para mover e instalar el horno de pared.
- El incumplimiento de estas instrucciones puede causar lesiones o daños a la unidad.

1. Desempaque el horno de pared. Retire la moldura inferior que está sujeta con cinta adhesiva en el panel lateral del horno.
2. Busque los 2 tornillos de montaje antivuelco incluidos en el interior del horno.
3. Coloque el horno en la abertura del gabinete. Deslice el horno hacia adentro, dejando un espacio de 1½" (3,8 cm) entre el horno y la parte delantera del gabinete (vea la figura 5).
4. Tire del cable blindado a través del agujero destinado para eso en el gabinete y hacia la caja de empalme mientras mueve el electrodoméstico hacia adentro.
5. Empuje el horno hacia el interior del hueco y contra el mueble.



COMBINACIÓN DE HORNO DE PARED/HORNO MICROONDAS

INSTRUCCIONES DE INSTALACIÓN

6. Instale los tornillos de montaje antivuelco

⚠️ ADVERTENCIA El horno de pared puede volcarse cuando la puerta está abierta. Se deben instalar los tornillos de montaje antivuelco proporcionados con el horno de pared para evitar el vuelco del horno de pared y lesiones a las personas.

A. Los agujeros de instalación en las molduras laterales pueden utilizarse como plantilla para ubicar los agujeros de los tornillos de montaje del electrodoméstico (vea la figura 6).

B. Use los dos tornillos proporcionados para fijar el electrodoméstico al mueble.



Figura 6

7. Instale la moldura inferior

⚠️ PRECAUCIÓN La guarda de seguridad inferior debe ser propiamente instalada para que el aparato electrodoméstico funcione correctamente. No operar el horno sin la guarda de seguridad instalada. No usar guardas fabricadas de madera o de algún otro material que no sea el especificado. La guarda de seguridad usada en esta unidad debe de corresponder a este modelo. Si se operar el aparato electrodoméstico sin la guarda de seguridad inferior correctamente instalada, esto podría causar lesiones física, también puede dañar el gabinete o puede causar daños el aparato electrodoméstico.

Los tornillos para fijar el borde inferior se suministran con el horno. Los adornos son más fáciles de instalar si se retira la puerta. Consulte el Manual de uso y cuidado para obtener instrucciones sobre cómo retirar la puerta del horno.

Todos los modelos de 30 ":

A. Coloque el desviador de aire (A) en su lugar como se muestra en la Figura 7. Alinee las ubicaciones de los tornillos y fije ambos extremos.

8. B. Coloque el recorte de color combinado (B) en su lugar como se muestra. Alinee las ubicaciones de los tornillos y fije ambos extremos.

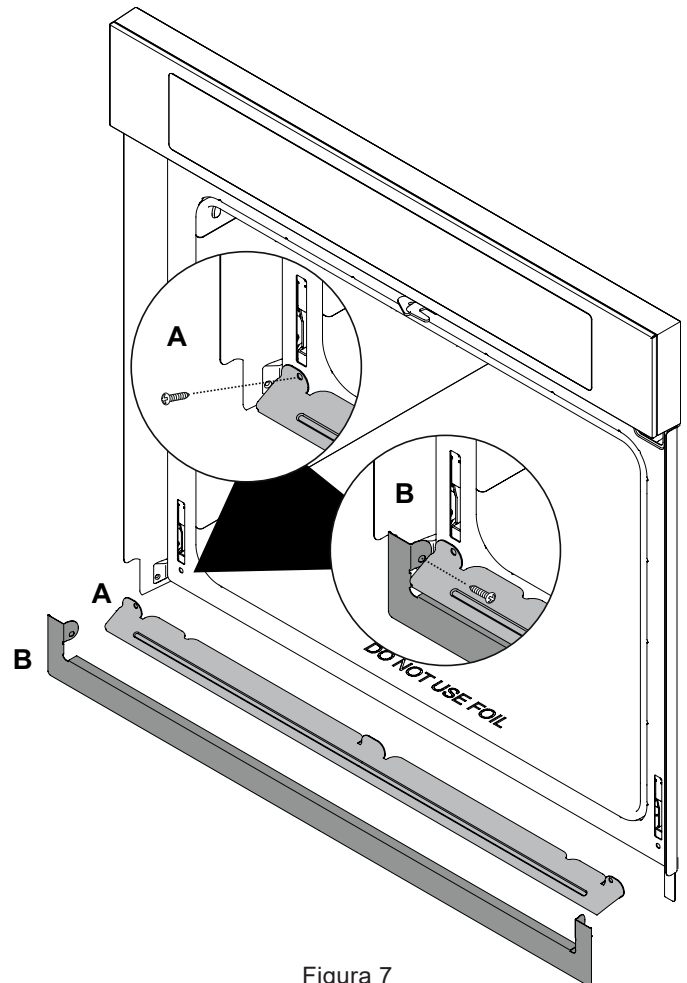
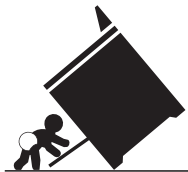


Figura 7

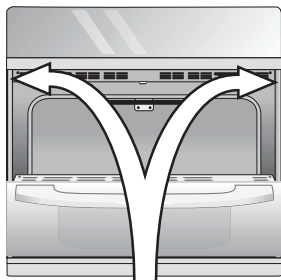
⚠️ ADVERTENCIA

Riesgo de volcamiento



- Un niño o adulto puede volcar el horno y acabar muerto.
- Instale el dispositivo antivuelco en el horno y/o en la estructura según las instrucciones de instalación.
- Asegúrese de que el horno se vuelva a acoplar al dispositivo antivuelco cuando lo mueva.

- No utilice el horno sin el dispositivo antivuelco instalado y acoplado.
- Si no se siguen estas instrucciones, se puede provocar la muerte o quemaduras graves en niños y adultos.



Agujeros de instalación del dispositivo antivuelco

Consulte las instrucciones de instalación proporcionadas con su electrodoméstico para instalarlo adecuadamente.

Verifique que la instalación se haya realizado adecuadamente corroborando que los tornillos antivuelco estén colocados.

Pruebe la instalación ejerciendo poca presión hacia abajo sobre la puerta abierta del horno. El horno no debe inclinarse hacia adelante.

COMBINACIÓN DE HORNO DE PARED/HORNO MICROONDAS INSTRUCCIONES DE INSTALACIÓN

Todos los modelos de 27":

A. Coloque el adorno de color combinado (B) en su lugar como se muestra en la Figura 8. Alinee las ubicaciones de los tornillos y fije ambos extremos.

B. Coloque el desviador de aire (A) en su lugar como se muestra. Alinee las ubicaciones de los tornillos y fije ambos extremos.

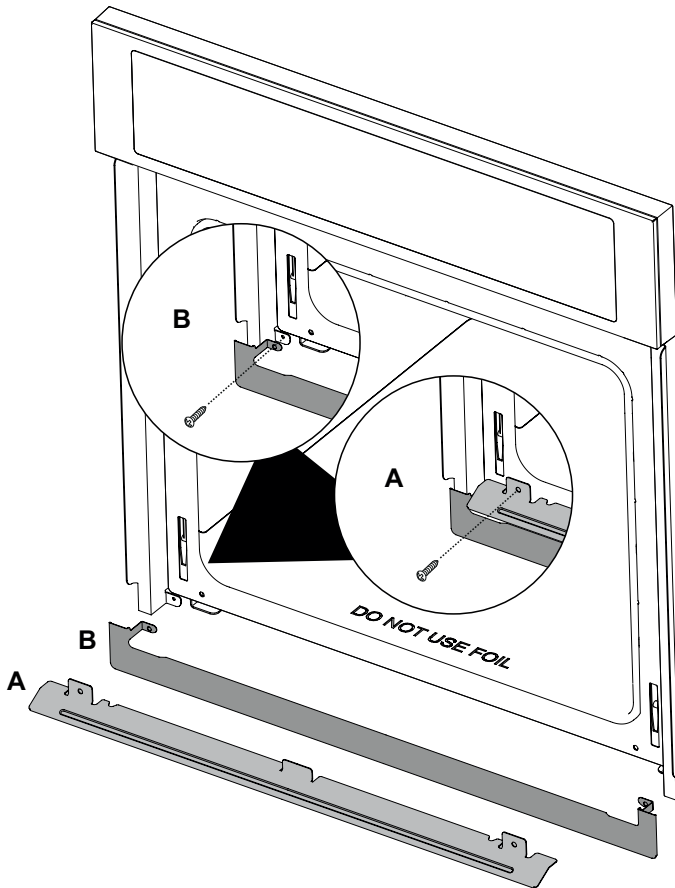


Figura 8

5. Nivelación del horno de pared

1. Instale una parrilla en el centro del horno superior (vea la figura 9).
2. Coloque un nivel en la parrilla. Realice 2 lecturas con el nivel colocado en forma diagonal en una dirección y luego la otra. Use cuñas de madera debajo del horno de pared para nivelarlo si es necesario.
3. Repita en el horno inferior si tiene un horno de pared de cavidad doble. Si el nivel indica que la parrilla no está nivelada, use cuñas de madera para llegar al buen funcionamiento para ambos hornos.

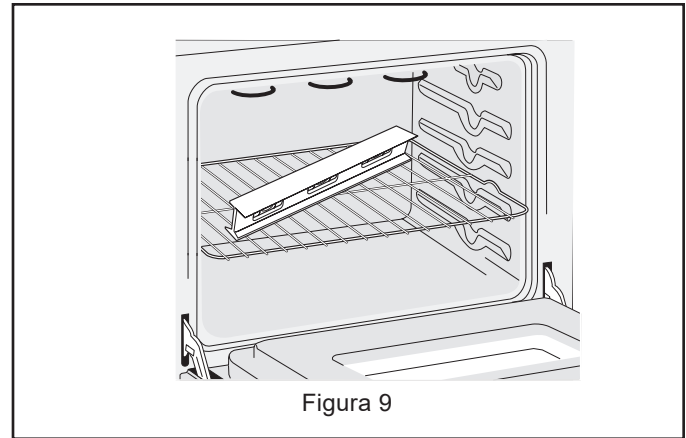


Figura 9

NOTA IMPORTANTE

El ventilador de enfriamiento dentro de la parte trasera superior sobre el horno (algunos modelos) proporciona el enfriamiento de los componentes eléctricos y electrónicos del horno. Si el horno ha estado funcionando a altas temperaturas, el ventilador seguirá funcionando después de que se apague el horno.

6. Verificación del funcionamiento

Su modelo viene equipado con un control de horno electrónico. Cada una de las funciones se han verificado en la fábrica antes del envío. Sin embargo, se sugiere que verifique una vez más el funcionamiento de los controles electrónicos del horno. Vea la Guía de uso y cuidado para ver el funcionamiento.

1. Retire todos los artículos del interior del horno.
2. Encienda la energía eléctrica del horno (consulte la guía de uso y cuidado.)
3. Verifique el funcionamiento de los controles electrónicos del horno:
"Bake" (Hornear): Verifique que esta función caliente el horno. 20 segundos después de encender el horno, abra la puerta y debe sentir que sale calor del horno.
"Broil" (asado a la parrilla): Cuando el horno está en BROIL (asado a la parrilla), el elemento superior del horno debe volverse rojo.

Antes de solicitar servicio

Lea la lista de verificación Antes de solicitar servicio y las instrucciones de funcionamiento en la Guía de uso y cuidado. Puede ahorrarle tiempo y dinero. Esta lista incluye los incidentes más comunes que no son originados por mano de obra o materiales defectuosos de este electrodoméstico.

Vea la Guía de uso y cuidado para ver los números de teléfono del servicio técnico.

INSTRUCTIONS D'INSTALLATION DE LA COMBINAISON DE FOURS À MICRO-ONDES ET ENCASTRÉ

L'INSTALLATION ET L'ENTRETIEN DOIVENT ÊTRE RÉALISÉS PAR UN INSTALLATEUR QUALIFIÉ.
IMPORTANT : CONSERVEZ CES INSTRUCTIONS EN PRÉVISION D'UN USAGE ÉVENTUEL PAR L'INSPECTEUR EN ÉLECTRICITÉ DE VOTRE LOCALITÉ.
 VEUILLEZ LIRE ET CONSERVER CES INSTRUCTIONS POUR VOUS Y REPORTER ULTÉRIEUREMENT.

États-Unis
et Canada



⚠ AVERTISSEMENT POUR VOTRE SÉCURITÉ : Vous ne devez ni entreposer, ni utiliser d'essence ou d'autres vapeurs ou liquides inflammables à proximité de cet appareil ou de tout autre appareil électroménager.

Votre nouveau four encastré a été conçu pour s'insérer dans une variété limitée de grandeurs de découpe afin de faciliter son installation. La première étape de votre installation devrait être de prendre les dimensions de votre découpe actuelle et de les comparer aux dimensions de la découpe du tableau ci-dessous pour votre modèle. Vous constaterez que peu ou pas de travail au niveau des armoires est nécessaire.

⚠ AVERTISSEMENT Ne retirez pas les espaceurs (le cas échéant) qui se trouvent sur les parois latérales et/ou à l'arrière du four encastré. Ces espaceurs permettent de centrer le four dans l'espace fourni. Le four doit être centré pour prévenir une accumulation de chaleur excessive qui pourrait entraîner des dommages ou un incendie.

REMARQUES :

1. La base doit pouvoir supporter un poids de 102,1 kg (225 lb).
2. Laissez un dégagement d'au moins 53,3 cm (21 po) devant le four pour permettre d'ouvrir complètement la porte de ce dernier.
3. La dimension G (profondeur de la découpe) est très importante pour installer adéquatement le four encastré. Si la garniture décorative du four ne s'appuie pas contre l'armoire, revérifiez la dimension G pour vous assurer qu'elle est de la bonne profondeur.

* La distance suggérée à partir du sol est de 29,2 cm (11½ po).
 La distance minimale requise est de 11,4 cm (4½ po).

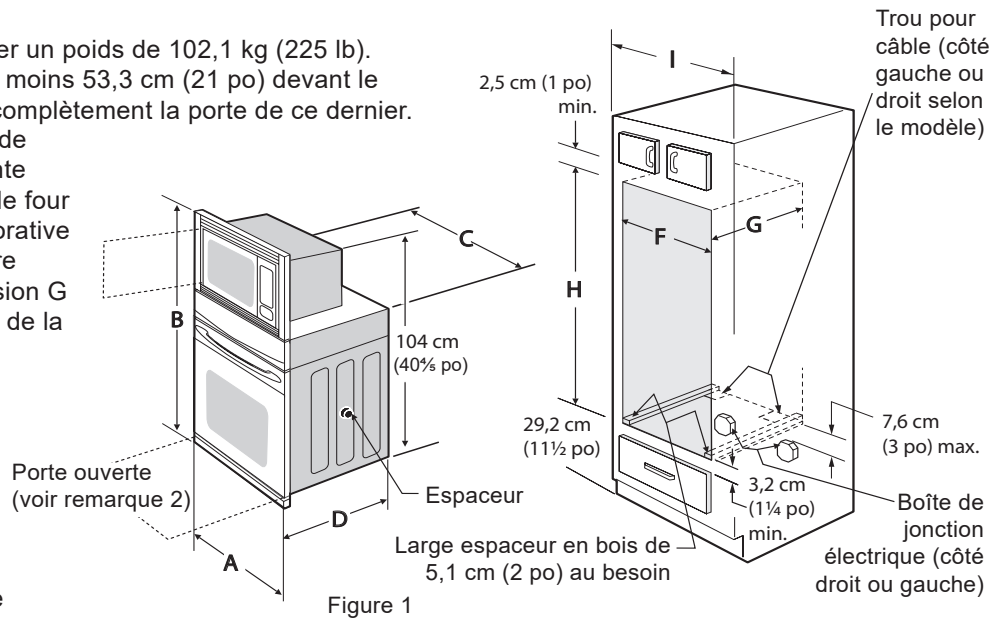


Figure 1

DIMENSIONS DU PRODUIT						
MODÈLE	A		B	C		D
Four encastré de 68,6 cm (27 po)	68,6 (27)		108,8 (42½)	62,5 (24½)		62,9 (24¾)
Four encastré de 76,2 cm (30 po)	76,2 (30)		107,7 (42¼)	71,8 (28¼)		62,9 (24¾)
DIMENSIONS DE L'OUVERTURE ET LARGEUR DE L'ARMOIRE						
MODÈLE	F		G Min.	H		I
	Min.	Max.		Min.	Max.	
Four encastré de 68,6 cm (27 po)	63,2 (24⅞)	64,1 (25¼)	60,3 (23¾)	104,5 (41⅞)	104,8 (41¼)	68,9 (27⅞) min.
Four encastré de 76,2 cm (30 po)	72,4 (28½)	73,7 (29)	60,3 (23¾)	104,5 (41⅞)	104,8 (41¼)	76,5 (30⅞) min.

Toutes les dimensions sont données en cm (po).

INSTRUCTIONS D'INSTALLATION DE LA COMBINAISON DE FOURS À MICRO-ONDES ET ENCASTRÉ

Remarques importantes pour l'installateur

1. Lisez toutes les instructions contenues dans ce guide avant de procéder à l'installation du four combiné.
2. Retirez tout le matériel d'emballage des compartiments du four avant de mettre le four encastré sous tension.
3. Respectez tous les codes et tous les règlements.
4. Assurez-vous de laisser ces instructions à l'utilisateur.
5. Vous pouvez retirer la porte du four pour en faciliter l'installation.
6. **CE FOUR COMBINÉ N'EST PAS APPROUVÉ POUR UNE INSTALLATION SUPERPOSÉE OU CÔTE À CÔTE.**

Remarque importante pour l'utilisateur

Conservez ces instructions avec le guide de l'utilisateur pour vous y reporter ultérieurement. Ne jetez pas les outils d'extraction du four fournis dans la pochette de documentation.

MESURES DE SÉCURITÉ IMPORTANTES

- Assurez-vous que votre four combiné est installé et mis à la terre de façon appropriée par un installateur qualifié ou un technicien de service.
- Ce four encastré doit être mis à la terre conformément aux codes locaux ou, en l'absence de tels codes, conformément au Code national de l'électricité ANSI/NFPA N° 70 (dernière édition) aux États-Unis, ou à la norme C22.1 de la CSA, Code canadien de l'électricité, partie 1, au Canada.

⚠ AVERTISSEMENT Grimper, s'appuyer ou s'asseoir sur la porte de ce four encastré peut causer des blessures graves et endommager l'appareil.

- N'utilisez jamais ce four encastré pour réchauffer ni chauffer une pièce. Une utilisation prolongée du four encastré sans aération adéquate peut s'avérer dangereuse.

⚠ AVERTISSEMENT L'alimentation électrique du four doit être coupée lors de l'installation des conduites. Le non-respect de cette consigne peut entraîner de graves blessures, voire la mort.

1. Charpenterie

Reportez-vous à la figure 1 pour connaître les dimensions relatives à votre appareil, et l'espace nécessaire pour recevoir le four combiné. La surface de soutien du four doit être faite de contreplaqué solide ou d'un matériau comparable. Elle doit être de niveau, autant de la gauche vers la droite que de l'avant vers l'arrière.

2. Installations électriques

Cet appareil doit être alimenté avec la fréquence et le voltage adéquats, être connecté à un circuit de dérivation individuel correctement mis à la terre et

protégé par un disjoncteur ou un fusible. Pour connaître le type de disjoncteur ou de fusible requis avec votre modèle, consultez la plaque signalétique pour trouver la consommation de puissance de l'appareil et reportez-vous au tableau A pour obtenir l'intensité de courant électrique du disjoncteur ou du fusible.

Respectez tous les codes et tous les règlements locaux.

Puissance nominale de l'appareil (watt) 240 V	Protection de circuit recommandée	Puissance nominale de l'appareil (watt) 208 V	Protection de circuit recommandée
Moins de 4 800 W	20 A	Moins de 4 100 W	20 A
4 801 à 7 200 W	30 A	4 101 à 6 200 W	30 A
7 201 à 9 600 W	40 ou 50 A	6 201 à 8 300 W	40 ou 50 A
9 601 W et +	50 A	8 301 W et +	50 A

Figure 2

1. Une alimentation électrique à câble monophasé de 3 ou 4 fils de 120/240 ou 120/208 V et de 60 Hz CA seulement est requise sur un circuit distinct avec fusible sur les deux côtés de la ligne (fils rouge et noir). Il est recommandé d'utiliser un fusible ou un disjoncteur temporisé. **N'UTILISEZ PAS** de fusible dans le circuit neutre (fil blanc). Seuls certains modèles de table de cuisson peuvent être installés au-dessus de certains modèles de four électrique encastrés. Les tables de cuisson et les fours encastrés qui sont approuvés figurent sur la liste du fabricant par numéro d'identification (consultez l'encart fourni avec la documentation).

REMARQUE : Les dimensions des fils et les branchements doivent être conformes à la dimension du fusible et au calibre de l'appareil conformément à la dernière édition du Code national de l'électricité ANSI/NFPA N° 70 aux États-Unis, ou à la norme C22.1 de la CSA, Code canadien de l'électricité, partie 1, ainsi qu'aux codes et règlements locaux.

⚠ AVERTISSEMENT Vous ne devriez pas utiliser de rallonge électrique avec cet appareil. Cela pourrait causer un incendie, une décharge électrique ou d'autres blessures. Si vous avez besoin d'un cordon d'alimentation plus long, vous pouvez acheter l'ensemble de cordon d'alimentation de 3,1 m (10 pi) n° 903056-9010 en téléphonant à un centre de service.

2. Ces appareils doivent être raccordés à un boîtier de fusibles (ou de disjoncteurs) à l'aide d'un câble gainé non métallique ou armé flexible. Le câble armé flexible de l'appareil devrait être connecté directement à la boîte de jonction. La boîte de jonction devrait être située aux emplacements illustrés aux figures 1, et le câble reliant la boîte et l'appareil devrait être aussi lâche que possible pour permettre de déplacer l'appareil en cas de réparation.
3. Un réducteur de tension durable doit être utilisé pour fixer le câble armé flexible à la boîte de jonction.

INSTRUCTIONS D'INSTALLATION DE LA COMBINAISON DE FOURS À MICRO-ONDES ET ENCASTRÉ

⚠ AVERTISSEMENT

Risque de décharge électrique

- Une mise à la terre électrique est requise sur cet appareil.
- Ne vous raccordez pas à l'alimentation électrique avant que l'appareil ne soit mis à la terre de façon permanente.
- Débranchez l'alimentation à la boîte de jonction avant d'effectuer le branchement électrique.
- Cet appareil doit être branché à un système de filage métallique permanent de mise à la terre, ou encore un connecteur de mise à la terre devrait être branché à la borne ou au fil de mise à la terre de l'appareil.
- N'utilisez pas une conduite d'alimentation en gaz pour effectuer la mise à la terre de l'appareil.

Le non-respect des consignes ci-dessus pourrait entraîner un incendie, des blessures ou une décharge électrique.

⚠ ATTENTION Dans des conditions de température froide lors de la livraison et de l'entreposage, assurez-vous que le four repose dans son emplacement final au moins trois (3) heures avant de le mettre sous tension. Si vous mettez le four sous tension alors qu'il est encore froid, vous risquez d'endommager les commandes du four.

3. Connexion électrique

Il incombe au consommateur de communiquer avec un installateur qualifié pour s'assurer que l'installation électrique est adéquate et conforme à la dernière édition du Code national de l'électricité ANSI/NFPA N° 70 aux États-Unis, ou à la norme C22.1 de la CSA, Code canadien de l'électricité, partie 1, ainsi qu'aux codes et règlements locaux.

⚠ AVERTISSEMENT Risque de décharge électrique (Le non-respect de cet avertissement peut causer une électrocution ou d'autres blessures graves.) Cet appareil est muni d'un fil de connexion en cuivre. Si le branchement est effectué à un câblage d'aluminium domestique, utilisez uniquement des connecteurs qui sont approuvés pour réunir les fils de cuivre et d'aluminium conformément au Code national de l'électricité et aux codes et règlements locaux. Lorsque vous installez des connecteurs ayant des vis qui sortent directement du conduit flexible en acier et/ou en aluminium, évitez de trop serrer les vis afin de ne pas endommager le conduit flexible. Évitez de plier ou de tordre excessivement le conduit flexible pour ne pas séparer les convolutions et exposer les fils internes.

N'UTILISEZ PAS un tuyau d'alimentation en gaz pour la mise à la terre. NE VOUS RACCORDEZ PAS à l'alimentation électrique avant que l'appareil ne soit mis à la terre de façon permanente. Branchez le fil de mise à la terre avant de mettre l'appareil sous tension.

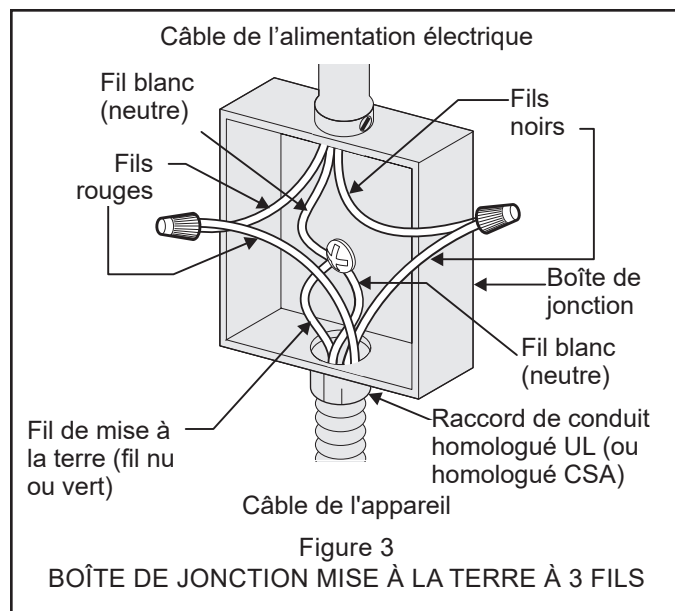
⚠ AVERTISSEMENT (Si votre appareil est muni d'un conducteur neutre blanc.)

Cet appareil est fabriqué avec une alimentation électrique neutre blanche et un fil de cuivre connecté au cadrage. Le cadrage est mis à la terre en branchant le fil de mise à la terre au fil neutre situé à la fin du conduit, pour une utilisation aux É.-U., dans un nouveau circuit de dérivation (Code national de l'électricité de 1996), une maison mobile, un véhicule récréatif, les régions où les codes locaux ne permettent pas la mise à la terre par le fil d'alimentation neutre (blanc) ou au Canada, séparez les fils blanc et vert l'un de l'autre et utilisez le fil de mise à la terre pour mettre l'appareil à la terre conformément aux codes locaux, branchez le fil neutre au conducteur neutre du circuit de dérivation de manière habituelle en vous reportant à la figure 4. Si votre appareil doit être branché à une boîte de jonction mise à la terre à 3 fils (É.-U. seulement), dans les régions où les codes locaux permettent de brancher le conducteur de mise à la terre de l'appareil au fil neutre (blanc), reportez-vous à la figure 3.

REMARQUE DESTINÉE À L'ÉLECTRICIEN : Les fils de câblage armés fournis avec l'appareil sont certifiés UL pour un branchement à un système de filage domestique d'un plus grand calibre. L'isolation des fils est cotée à des températures beaucoup plus élevées que la température nominale du système de filage domestique. La capacité de transport actuelle du conducteur est déterminée par la température nominale de l'isolation autour du fil, et non uniquement par le calibrage du fil.

Dans les régions où les codes locaux permettent de brancher le conducteur de mise à la terre de l'appareil au fil neutre (blanc) (É.-U. seulement) (reportez-vous à la figure 3) :

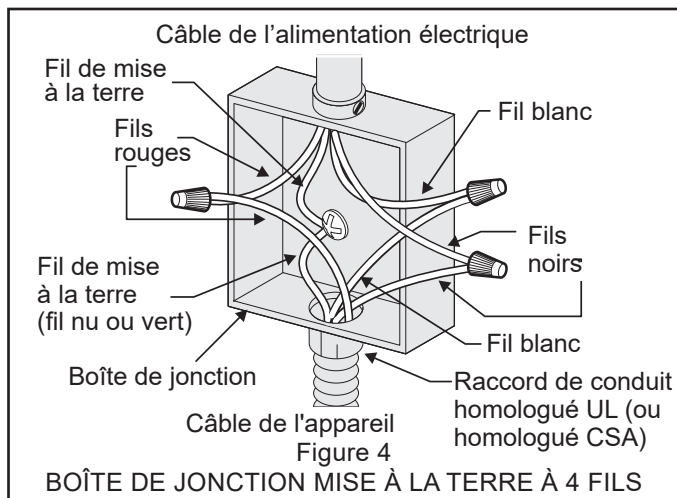
1. Coupez l'alimentation électrique.
2. Dans la boîte de jonction :
Branchez les fils de l'appareil et de l'alimentation électrique comme illustré à la figure 3.



INSTRUCTIONS D'INSTALLATION DE LA COMBINAISON DE FOURS À MICRO-ONDES ET ENCASTRÉ

Si le four est raccordé à un nouveau circuit de dérivation (Code national de l'électricité de 1996), une maison mobile, un véhicule récréatif ou dans les régions où les codes locaux NE PERMETTENT PAS la mise à la terre par le fil neutre (blanc), le cadre de l'appareil NE DOIT PAS être branché au fil neutre du système électrique à 4 fils (reportez-vous à la figure 4) :

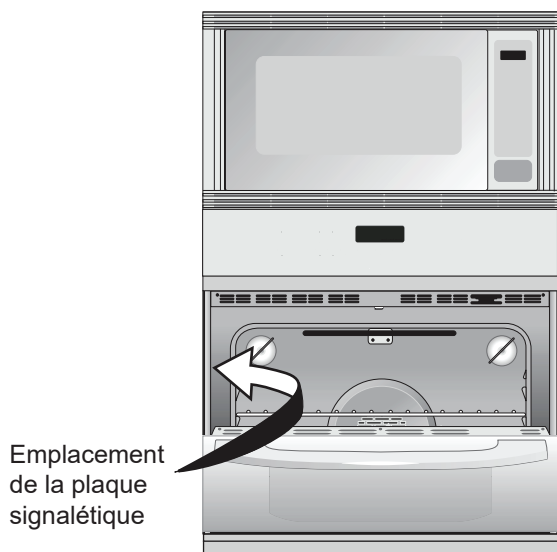
1. Coupez l'alimentation électrique.
2. Séparez le fil vert (ou fil nu en cuivre) du fil blanc de l'appareil.
3. Dans la boîte de jonction :
Branchez les fils de l'appareil et de l'alimentation électrique comme illustré à la figure 4.



Emplacement du numéro de modèle et du numéro de série

La plaque signalétique est située le long de la garniture intérieure latérale du four et elle est visible lorsque la porte du four est ouverte.

Lorsque vous commandez des pièces ou que vous désirez obtenir des renseignements à propos de votre four, assurez-vous de toujours inclure le numéro de série et le numéro de modèle ainsi que la lettre ou le numéro de lot, inscrits sur la plaque signalétique de votre four.



4. Installation dans une armoire

REMARQUE IMPORTANTE

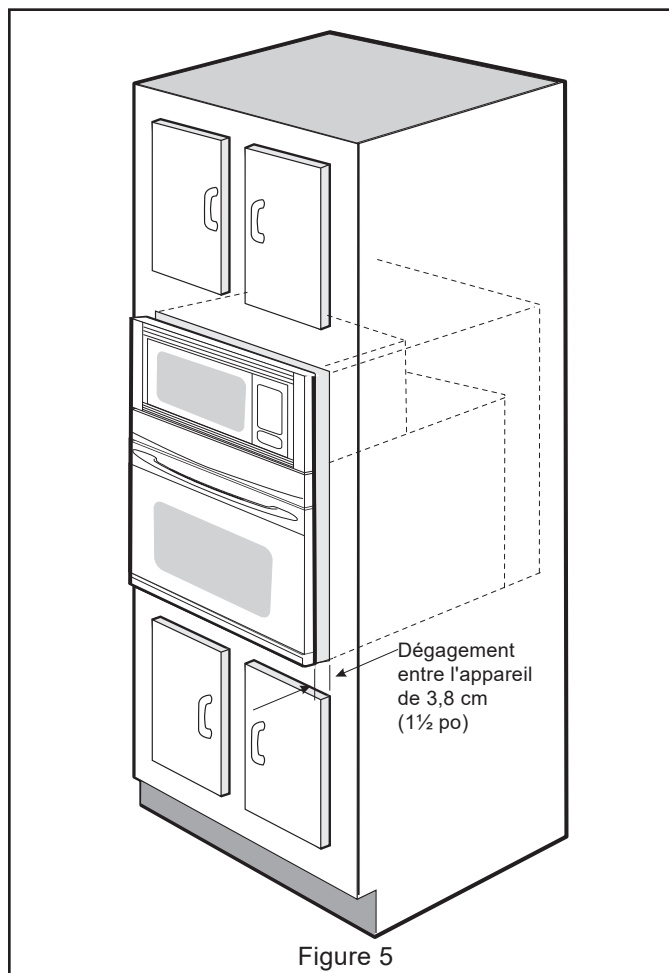
Ne soulevez pas le four par la poignée de ce dernier.

AVERTISSEMENT

Danger de poids lourd

- Utilisez deux personnes ou plus pour déplacer et installer le four encastré.
- Le non-respect de cette consigne peut entraîner des blessures ou endommager l'appareil.

1. Déballez le four encastré. Retirez la garniture inférieure fixée avec du ruban sur le panneau latéral du four.
2. Repérez les deux vis de montage anti-renversement fournies dans le fond du four.
3. Installez le four dans l'ouverture de l'armoire. Faites glisser le four vers l'intérieur en laissant un dégagement de 3,8 cm (1½ po) entre le four et l'avant de l'armoire (figure 5).
4. Passez le câble armé dans le trou de l'armoire et vers la boîte de jonction tout en poussant l'appareil vers l'intérieur.
5. Poussez le four dans l'ouverture, contre l'armoire.



INSTRUCTIONS D'INSTALLATION DE LA COMBINAISON DE FOURS À MICRO-ONDES ET ENCASTRÉ

6. Installez les vis de montage anti-renversement.

⚠ AVERTISSEMENT Le four encastré peut basculer vers l'avant lorsque la porte est ouverte. Les vis de montage anti-renversement fournies avec le four encastré doivent être installées pour éviter le renversement du four encastré et les blessures.

A. Les trous de montage dans les garnitures latérales peuvent être utilisés comme gabarit pour localiser les trous des vis de montage de l'appareil (figure 6).

B. Utilisez les deux vis fournies pour fixer l'appareil à l'armoire.



Figure 6

⚠ AVERTISSEMENT

Risque de basculement

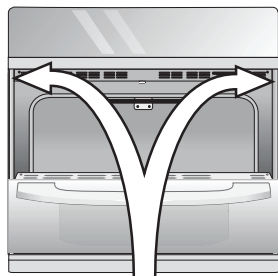


- Un enfant ou un adulte peut faire basculer la cuisinière et en décéder.
- Installez le dispositif anti-renversement sur la cuisinière et/ou la structure selon les instructions d'installation.
- Assurez-vous d'enclencher de nouveau le dispositif

anti-renversement lorsque la cuisinière est déplacée.

• Ne faites pas fonctionner la cuisinière si le dispositif anti-renversement n'est pas en place et enclenché.

• Le non-respect de ces instructions peut causer des blessures fatales ou de graves brûlures aux enfants et aux adultes.



Trous de montage du dispositif anti-renversement

Pour une installation adéquate du dispositif anti-renversement, reportez-vous aux instructions d'installation fournies avec votre cuisinière.

Effectuez une vérification visuelle de la présence des vis du dispositif anti-renversement pour vous assurer qu'il a été installé correctement.

Vérifiez l'installation du dispositif en ouvrant la porte du four et en appliquant sur cette dernière une légère pression vers le bas. La cuisinière ne devrait pas basculer vers l'avant.

7. Installation de la garniture inférieure

⚠ ATTENTION La moulure inférieure doit être installée pour que le four fonctionne correctement. N'utilisez PAS le four sans la moulure inférieure correctement installée. N'utilisez pas de bois ou tout autre moulure que celle manufacturée pour l'utilisation avec ce modèle. L'utilisation de l'appareil sans la moulure inférieure correctement installée peut causer des blessures et endommager l'appareil ou les armoires.

Les vis pour fixer la garniture inférieure sont fournies avec le four. Les garnitures sont plus faciles à installer si la porte est retirée. Consultez le Manuel d'utilisation et d'entretien pour savoir comment retirer la porte du four.

Tous les modèles 30 ":

A. Placez le déviateur d'air (A) en place, comme indiqué sur la figure 7. Alignez les emplacements des vis et fixez les deux extrémités.

8. B. Placez la garniture de couleur assortie (B) comme indiqué. Alignez les emplacements des vis et fixez les deux extrémités.

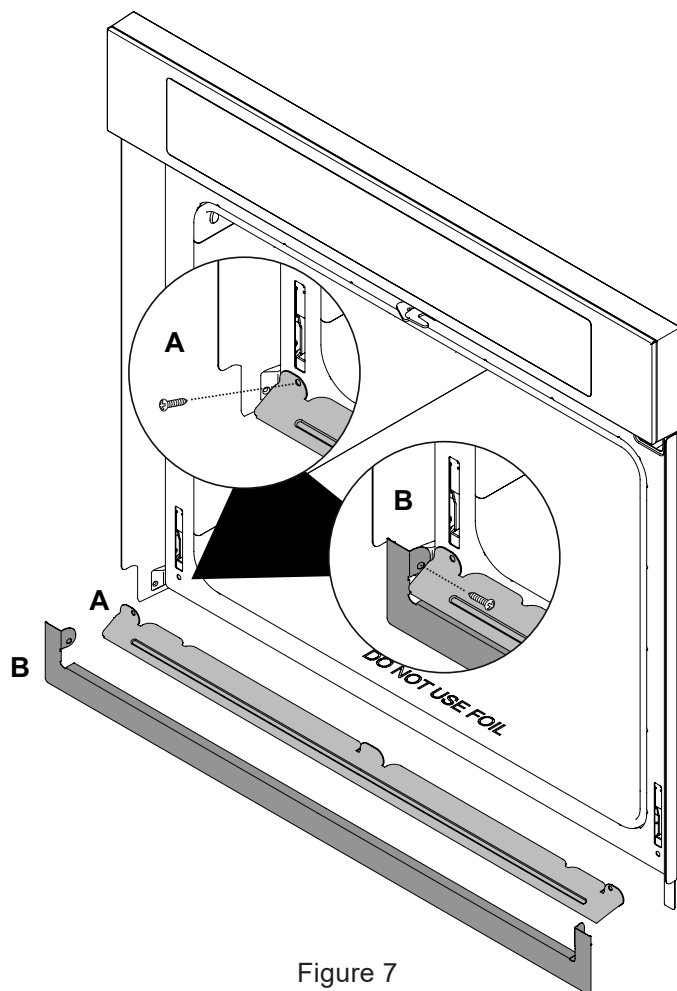


Figure 7

INSTRUCTIONS D'INSTALLATION DE LA COMBINAISON DE FOURS À MICRO-ONDES ET ENCASTRÉ

Tous les modèles 27 " :

A. Placez la garniture de couleur assortie (B) comme indiqué sur la figure 8. Alignez les emplacements des vis et fixez les deux extrémités.

B. Placez le déflecteur d'air (A) en place, comme indiqué. Alignez les emplacements des vis et fixez les deux extrémités.

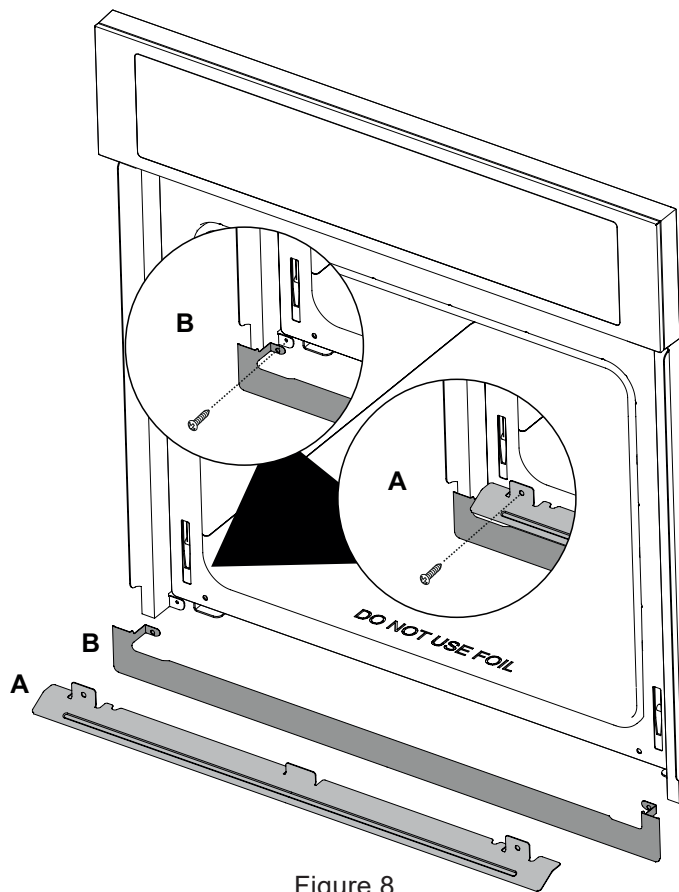


Figure 8

5. Mise à niveau du four encastré

1. Installez la grille au centre du four supérieur (figure 9).
2. Placez un niveau sur la grille. Prenez deux lectures en plaçant le niveau diagonalement dans un sens, puis dans l'autre sens. Utilisez des cales en bois sous le four encastré pour le mettre à niveau au besoin.
3. Refaites ces étapes pour le four inférieur si vous avez un modèle de four encastré double. Si le niveau indique que la grille n'est pas de niveau, utilisez des cales en bois pour obtenir un compromis entre les deux fours.

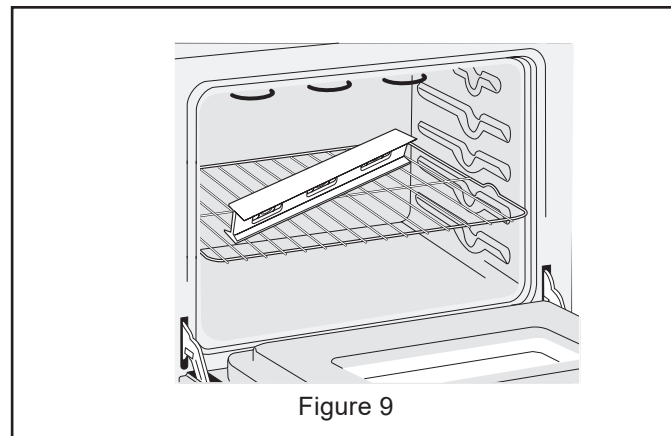


Figure 9

REMARQUE IMPORTANTE

Un ventilateur de refroidissement situé dans le coin supérieur arrière du four (certains modèles) permet de refroidir les commandes et les composants électroniques du four. Si le four a fonctionné à une température élevée, le ventilateur restera en marche même une fois le four éteint.

6. Vérification de l'opération

Votre modèle est muni d'un régulateur électronique de four. Chaque fonction a été vérifiée en usine avant la livraison. Toutefois, nous vous recommandons de vérifier une autre fois le fonctionnement des commandes électroniques du four. Reportez-vous au Guide d'utilisation et d'entretien pour obtenir des instructions.

1. Retirez tous les articles qui se trouvent à l'intérieur du four.
2. Mettez le four sous tension (reportez-vous au Guide d'utilisation et d'entretien).
3. Vérifiez le fonctionnement des commandes électroniques du four :
BAKE (cuisson) : vérifiez que cette fonction fait chauffer le four. Vingt secondes après avoir allumé le four, ouvrez la porte du four et vous devriez sentir la chaleur qui vient du four.
BROIL (gril) : lorsque le four est réglé à BROIL (gril), l'élément supérieur du four devrait rougir.

Avant de faire appel au service après-vente

Lisez la section de vérification « Avant de faire appel au service après-vente », ainsi que les instructions d'utilisation de votre Guide d'utilisation et d'entretien. Cela pourrait vous faire économiser temps et argent. Cette liste décrit des situations courantes qui ne sont causées ni par un défaut de fabrication ni par un matériau défectueux.

Reportez-vous au Guide d'utilisation et d'entretien pour obtenir les numéros de téléphone du service après-vente.