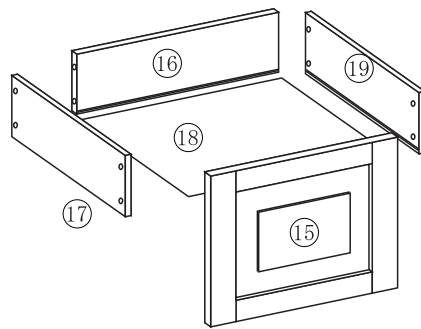
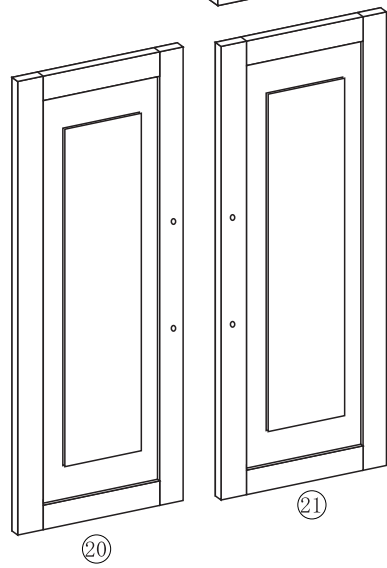
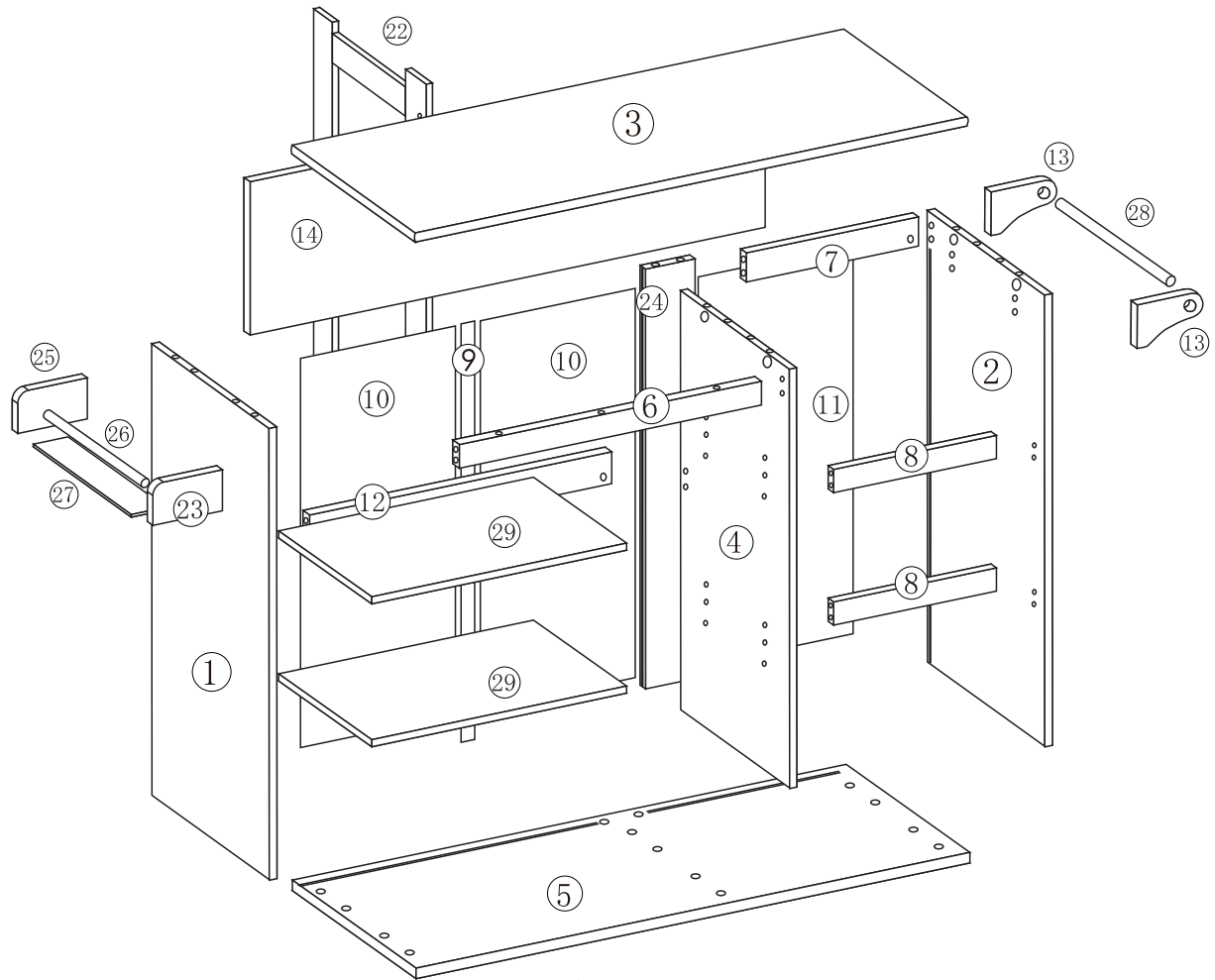
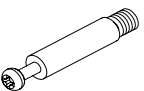
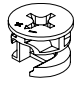
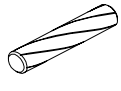
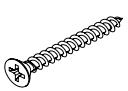
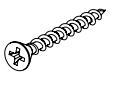

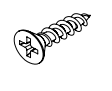
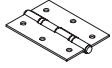
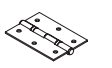
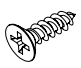
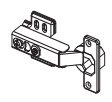
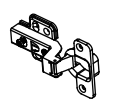

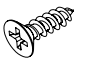
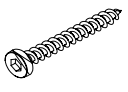
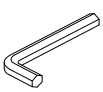

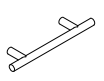
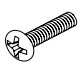

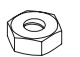



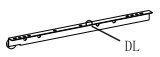
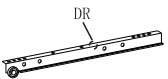
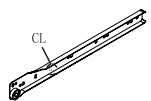
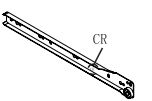


**Attention please :**  
**Improper use of screws may cause the product surface damage!**  
**Please be careful when installing.**



x3

<p><b>A</b> x29</p>  <p>M6x35mm</p>	<p><b>B</b> x29</p>  <p>15x10mm</p>	<p><b>C</b> x24</p>  <p>M8x30mm</p>	<p><b>D</b> x7</p>  <p>M4x40mm</p>	<p><b>E</b> x5</p>  <p>M4x35mm</p>	<p><b>F</b> x12</p>  <p>M4x30mm</p>	<p><b>G</b> x60</p>  <p>M3x12mm</p>
<p><b>H</b> x3</p>  <p>51x15mm</p>	<p><b>I</b> x2</p>  <p>47x14mm</p>	<p><b>J</b> x24</p>  <p>M4x14mm</p>	<p><b>K</b> x2</p> 	<p><b>L</b> x2</p> 	<p><b>M</b> x8</p>  <p>5x17mm</p>	<p><b>N</b> x20</p>  <p>M5x12mm</p>
<p><b>O</b> x8</p>  <p>M5x40mm</p>	<p><b>P</b> x1</p> 	<p><b>Q</b> x2</p> 	<p><b>R</b> x3</p> 	<p><b>S</b> x10</p>  <p>M4x25mm</p>	<p><b>T</b> x1</p>  <p>M6x25mm</p>	<p><b>U</b> x1</p>  <p>6x10mm</p>
<p><b>V</b> x 1</p> 	<p><b>W</b> x2</p> 	<p><b>X</b> x3</p> 	<p><b>Y</b> x3</p>  <p>DL</p>	<p><b>Z</b> x3</p>  <p>DR</p>	<p><b>Y</b> x3</p>  <p>CL</p>	<p><b>Z</b> x3</p>  <p>CR</p>

x3



Ax12



Bx12



Fx12



Gx12



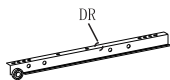
Rx3



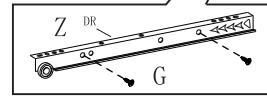
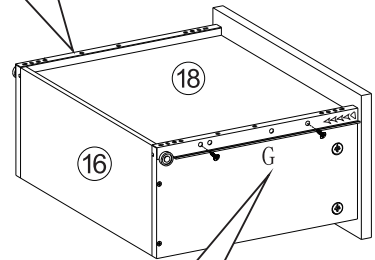
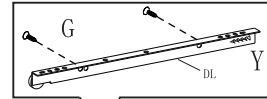
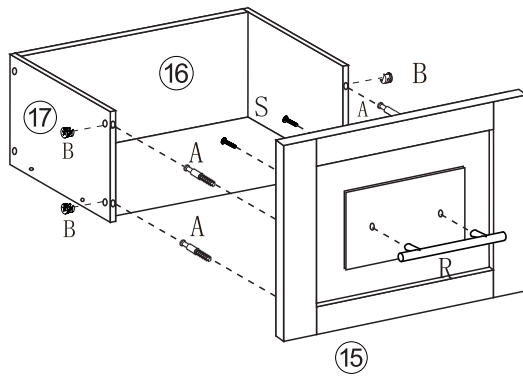
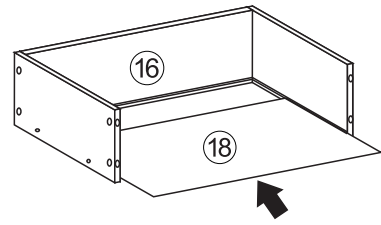
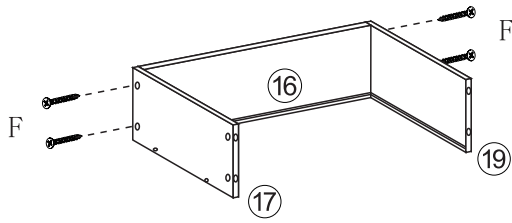
Sx6



Yx3



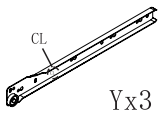
Zx3



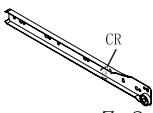
Ax6



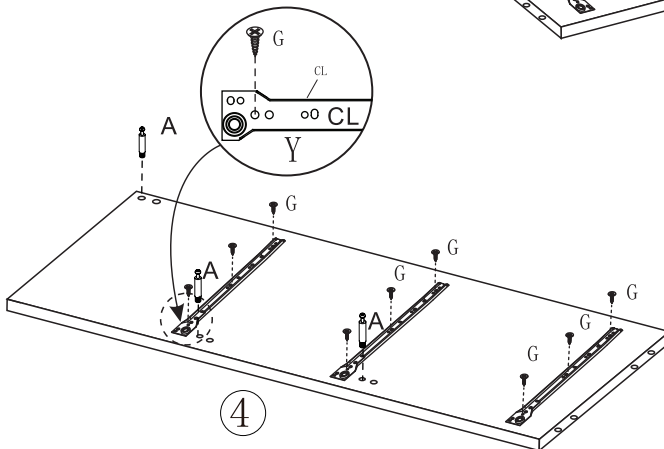
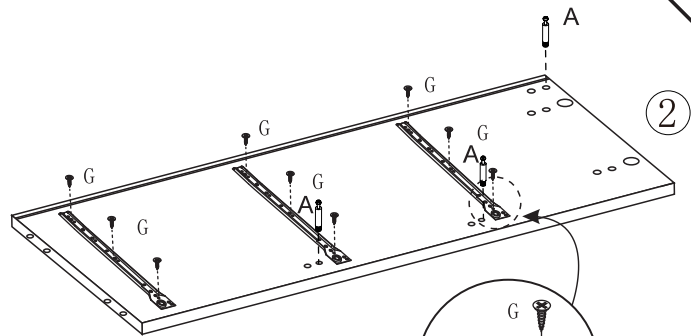
Gx18

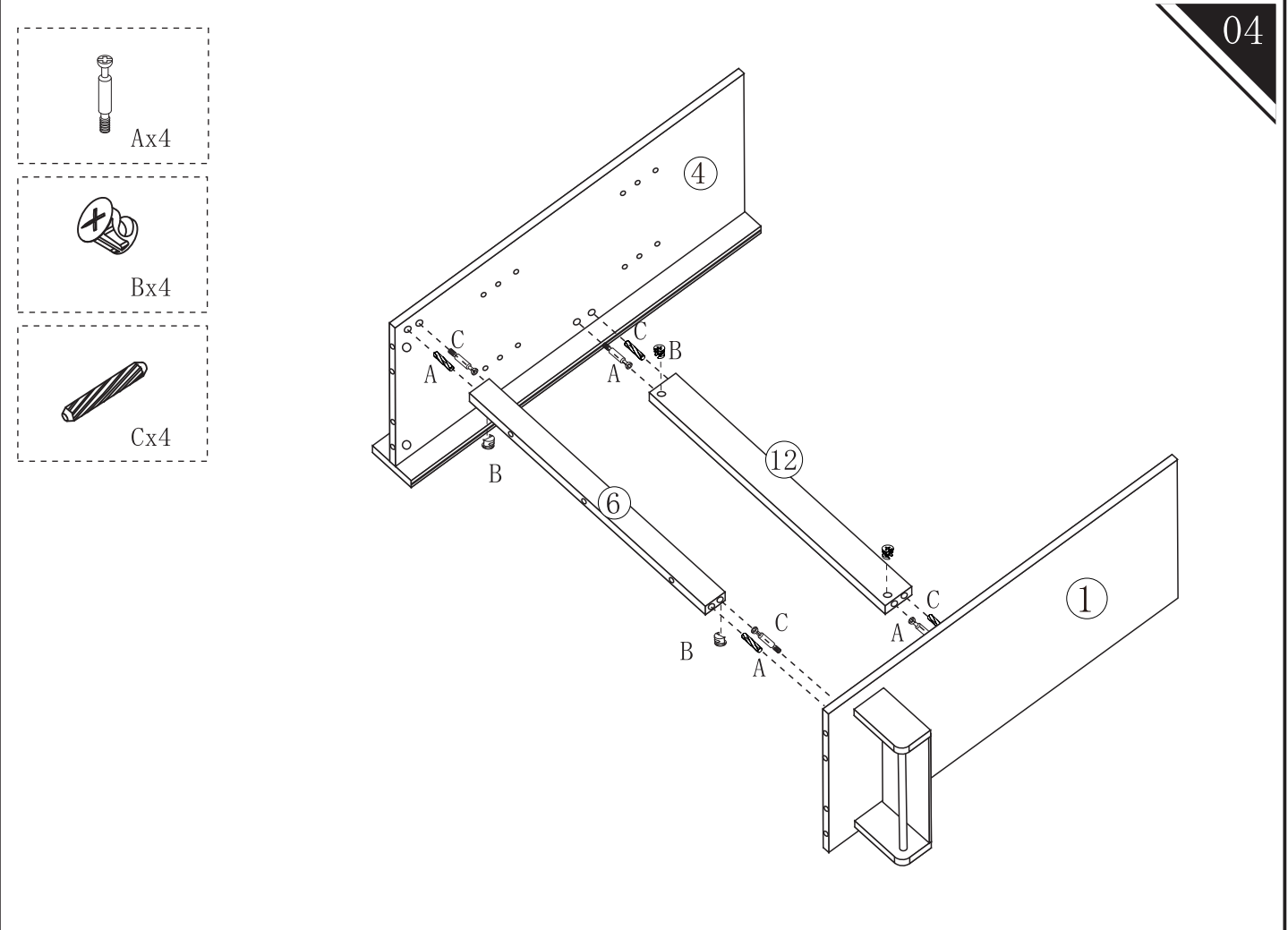
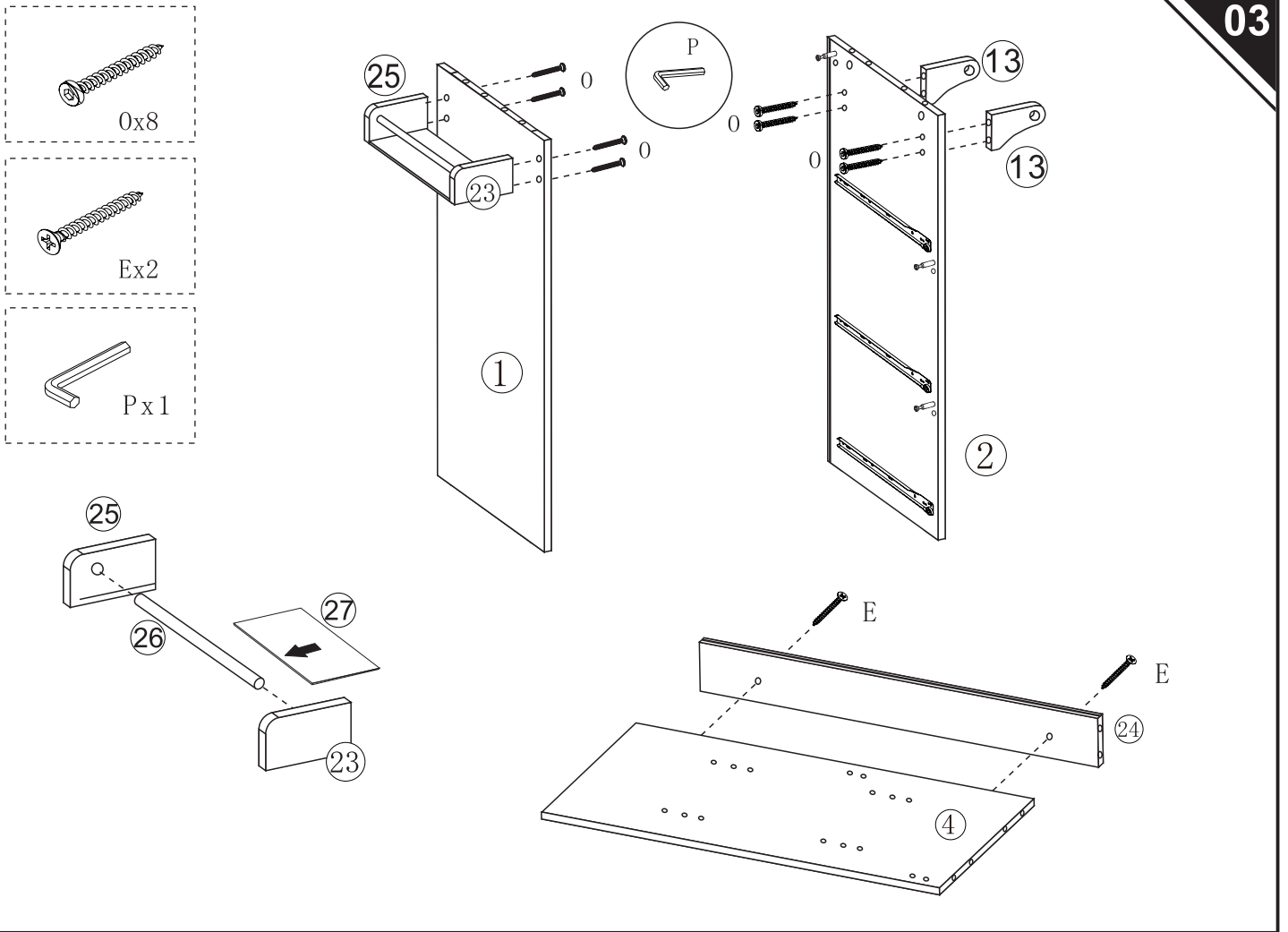


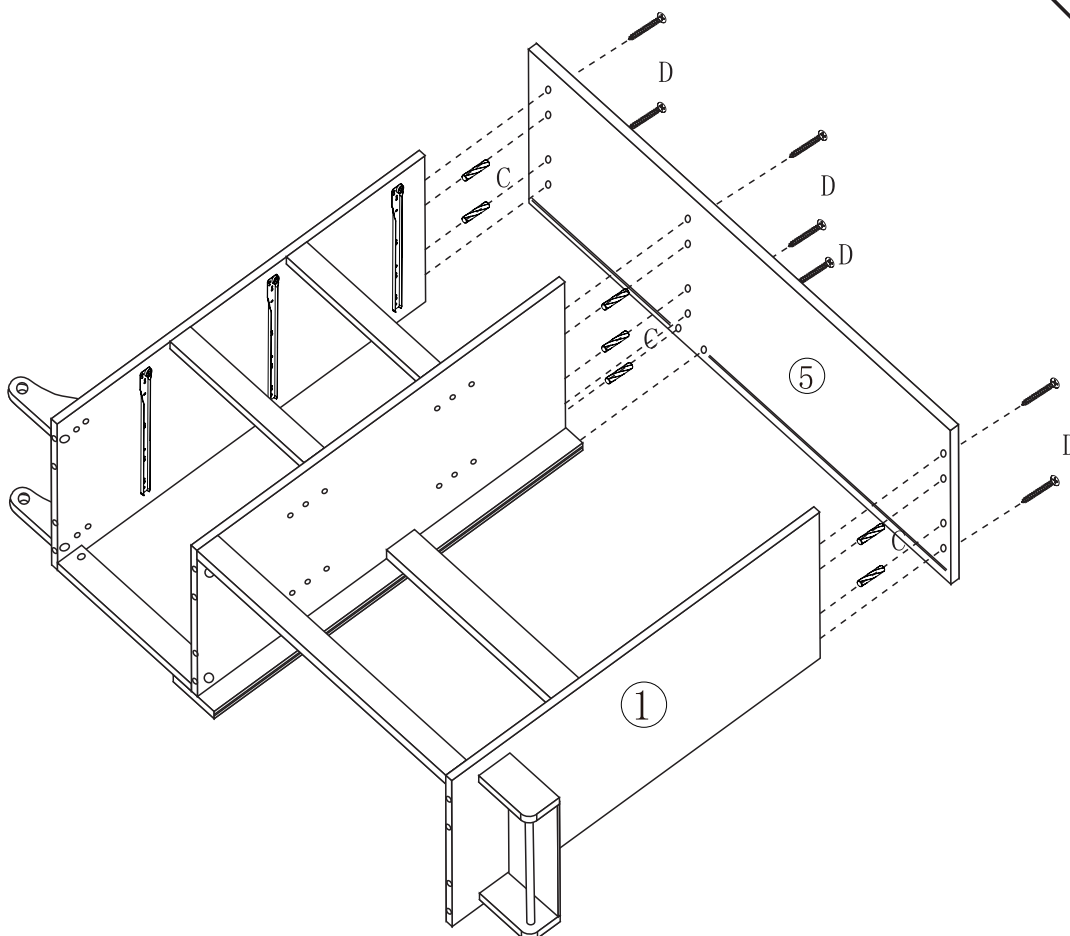
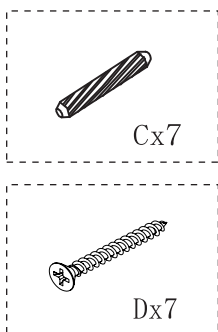
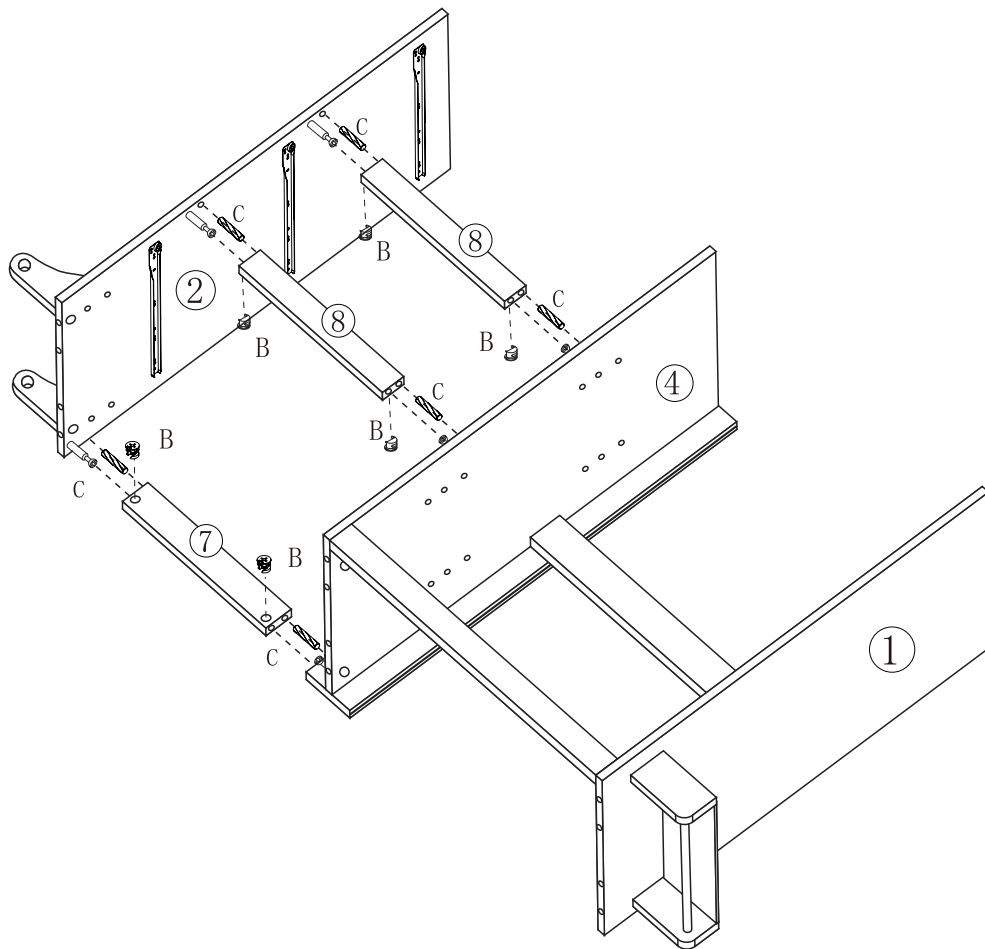
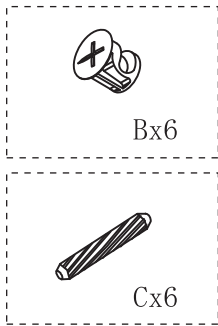
Yx3

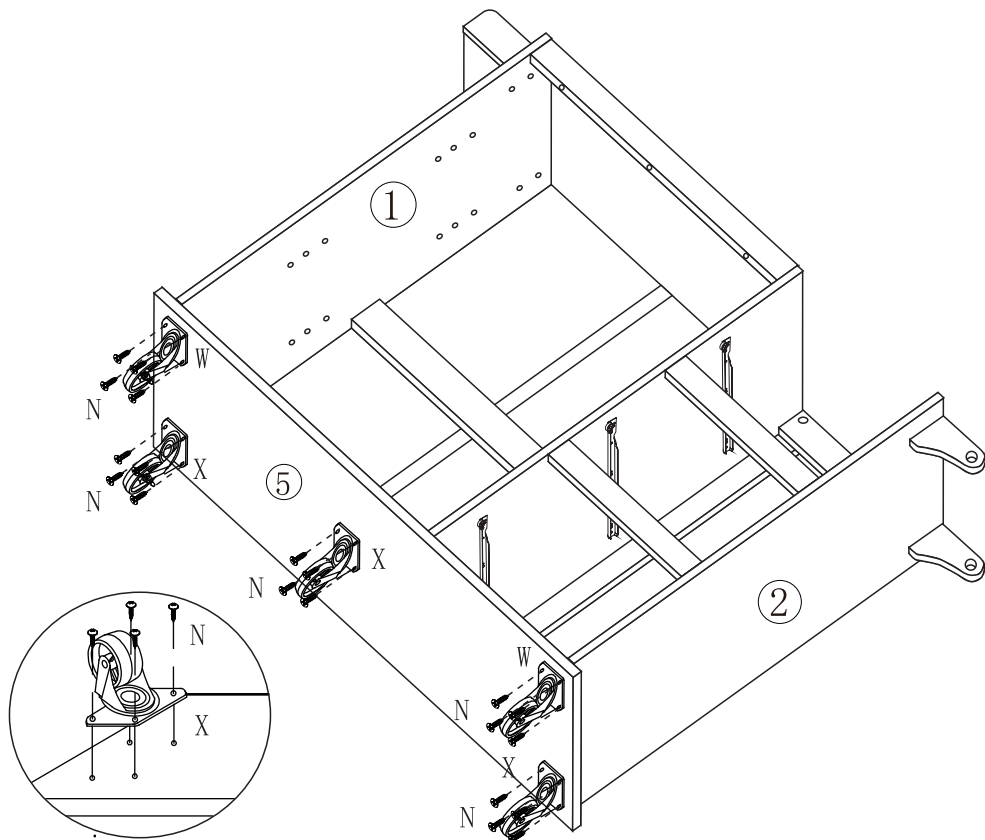
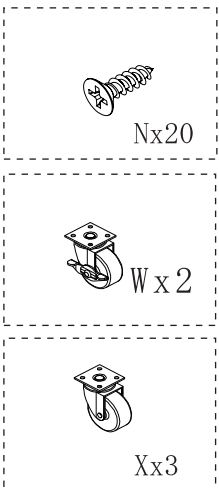
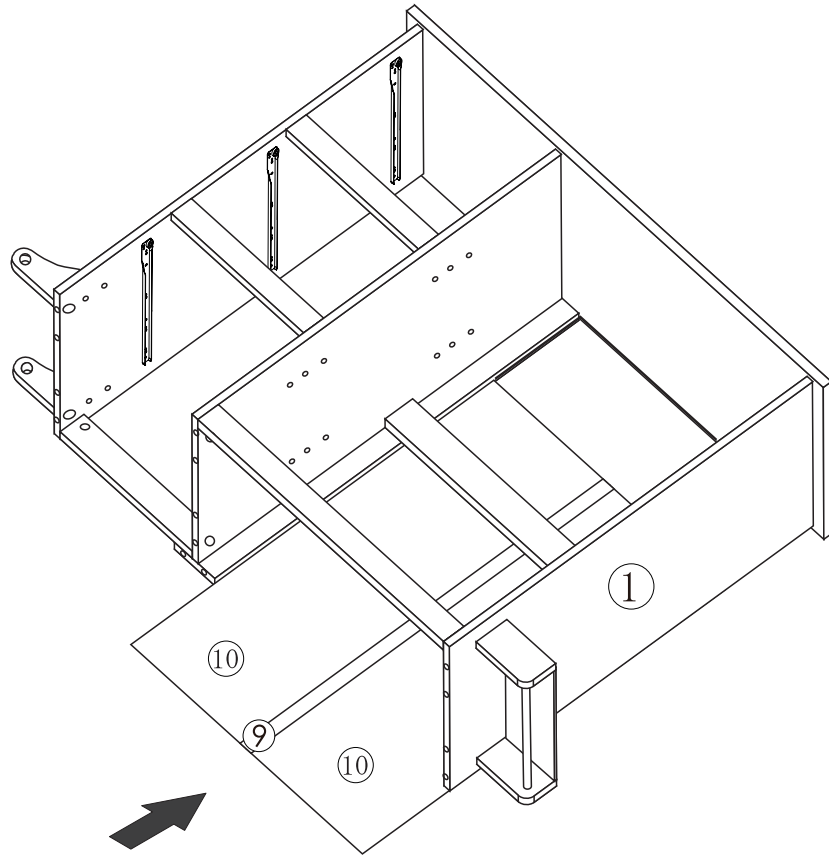



Zx3




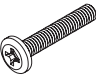


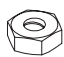





- 

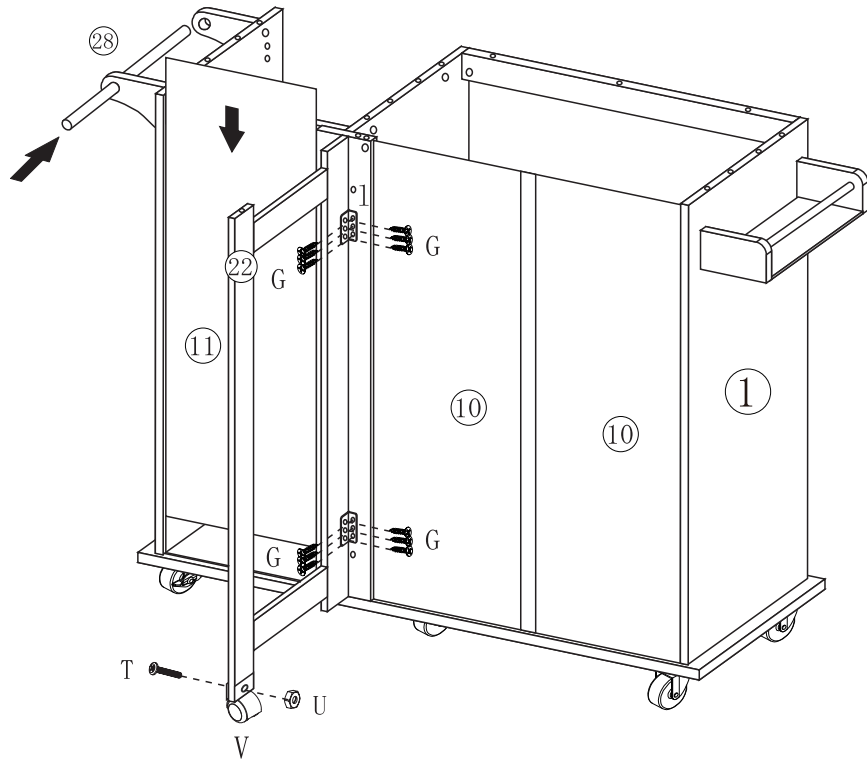
1x2
- 


Gx12
- 

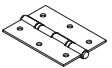
Tx1
- 


Ux1
- 

Vx1



- 

Ax7
- 

Hx3
- 

Gx18

