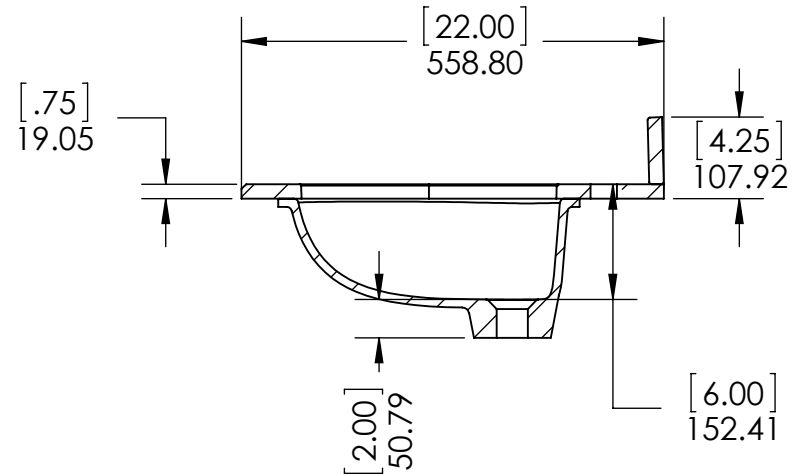
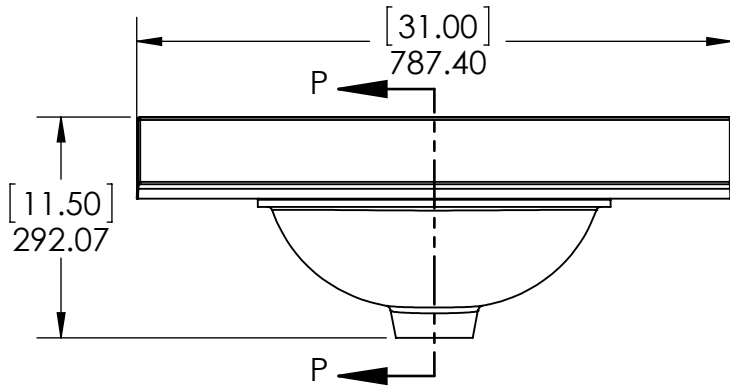
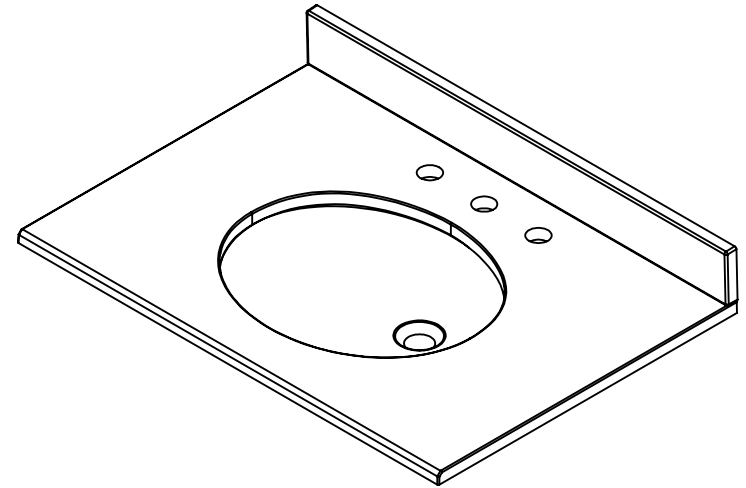
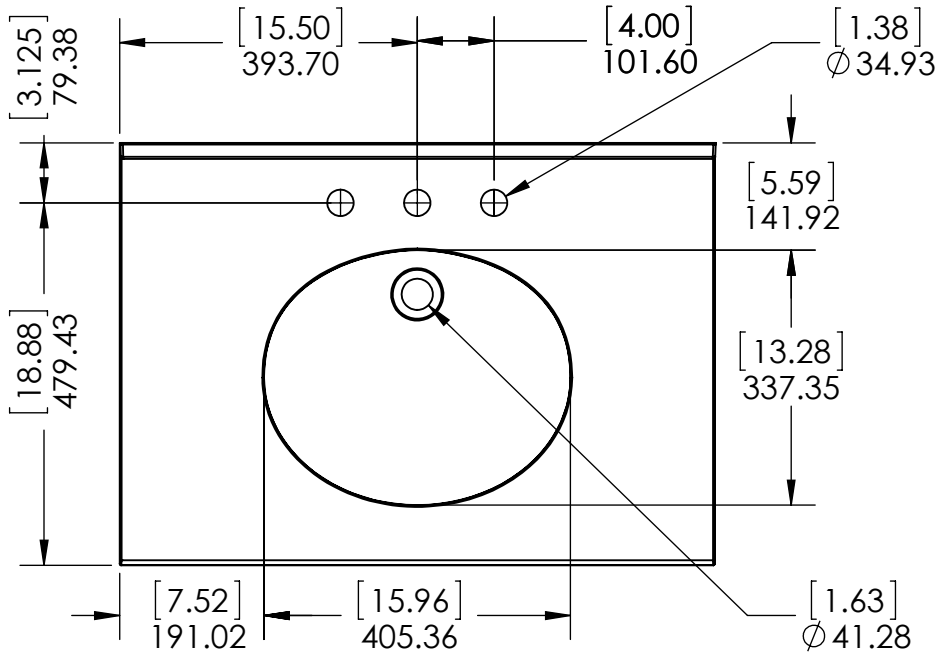



Rev #	Approved by	Change
0	R. Rubio	Released



<p>PROPRIETARY AND CONFIDENTIAL</p> <p>THE INFORMATION CONTAINED IN THIS DRAWING IS THE SOLE PROPERTY OF WOODCRAFTERS. ANY REPRODUCTION IN PART OR AS A WHOLE WITHOUT THE WRITTEN PERMISSION OF WOODCRAFTERS IS PROHIBITED.</p>	UNLESS OTHERWISE SPECIFIED		NAME		DATE		SHEET 1 OF 2 REV: 0
	DIMENSIONS ARE IN MM. AND (INCHES)		DRAWN	R. Rubio	09/01/16		
	TOLERANCES ARE		CHECKED	R. Rubio	09/01/16		
	+ 0.125 [3.175] - 0.125 [-3.175]		ENG APPR.	R. Rubio	09/01/16		
	SCALE:1:10		MFG APPR.	C. Leal	09/01/16		
SIZE DWG. NO. A Vtop Stone Effect, Oval 31x22 (Bevel)							

ID	Description	Technology	Status
SEB3122-CE	Vtop SE 31x22 Oval 8in Bevel - Carrera	Stone Effect	Approved for production
SEB3122-CF	Vtop SE 31x22 Oval 8in Bevel - Coffee	Stone Effect	Approved for production
SEO3122-WM	Vtop SE Oval 31x22 - Winter Mist	Stone Effect	Approved for production
SEB3122COM-CE	Vtop SE 31x22 Oval 8in Bevel COM - Carrera	Stone Effect	Approved for production
SEB3122COM-CF	Vtop SE 31x22 Oval 8in Bevel COM - Coffee	Stone Effect	Approved for production

Rev #	Approved by	Change
0	R. Rubio	Released

PROPRIETARY AND CONFIDENTIAL
 THE INFORMATION CONTAINED IN THIS DRAWING IS THE
 SOLE PROPERTY OF WOODCRAFTERS. ANY
 REPRODUCTION IN PART OR AS A WHOLE WITHOUT THE
 WRITTEN PERMISSION OF WOODCRAFTERS IS PROHIBITED.

UNLESS OTHERWISE SPECIFIED
 DIMENSIONS ARE IN MM.
 AND [INCHES]
 TOLERANCES ARE
 + 0.125 [3.175] - 0.125 [-3.175]
 SCALE:1:10

	NAME	DATE
DRAWN	R. Rubio	09/01/16
CHECKED	R. Rubio	09/01/16
ENG APPR.	R. Rubio	09/01/16
MFG APPR.	C. Leal	09/01/16


Wood Crafters

SIZE DWG. NO. SHEET 2 OF 2
A Vtop Stone Effect, Oval 31x22 (Bevel) REV: **0**