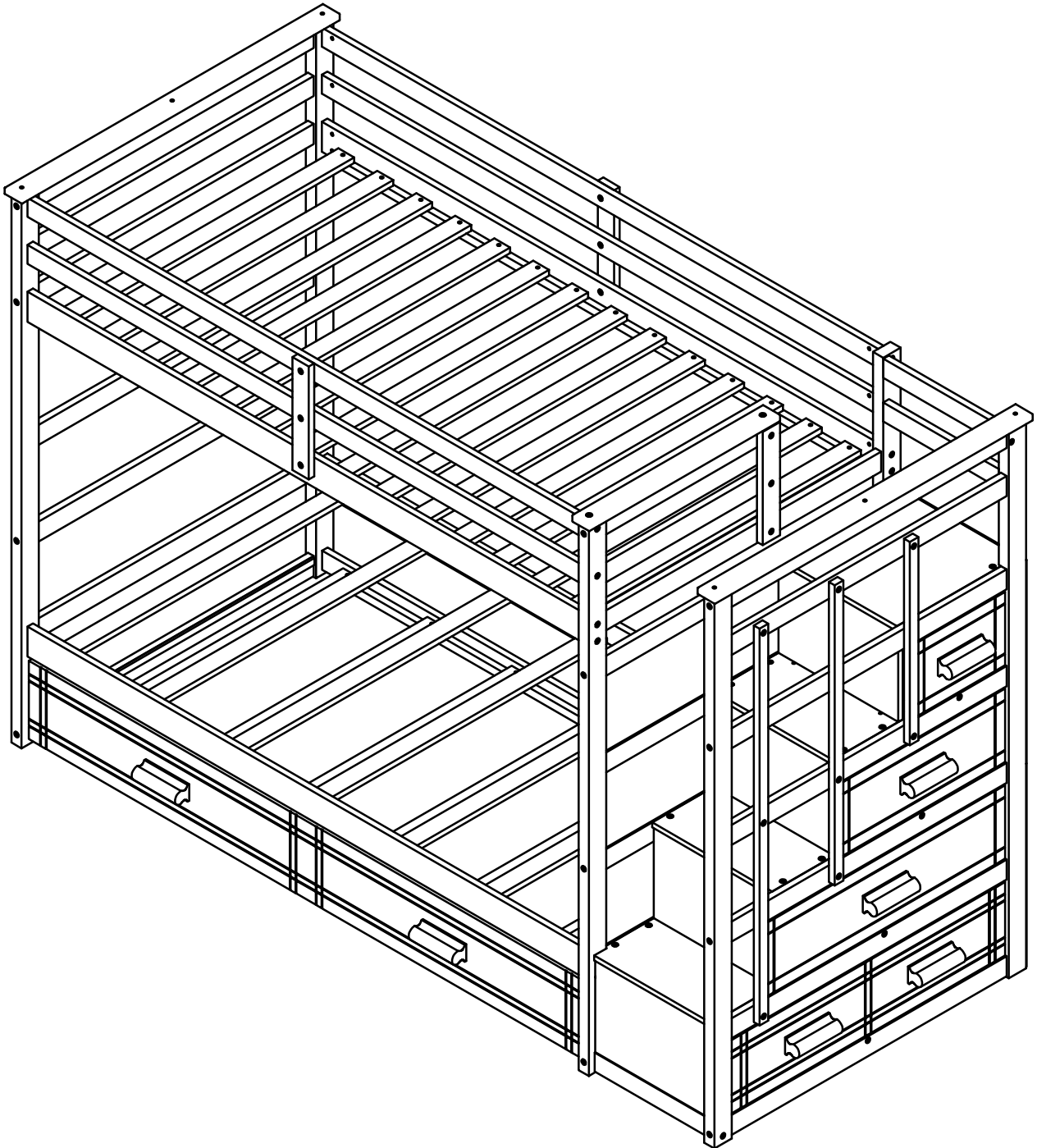


ASSEMBLY INSTRUCTION

SKU CODE: (WF286862-WF286863-WF286864)

This set is included 3 boxes if don't receive full 3 boxes please contact our customer service team



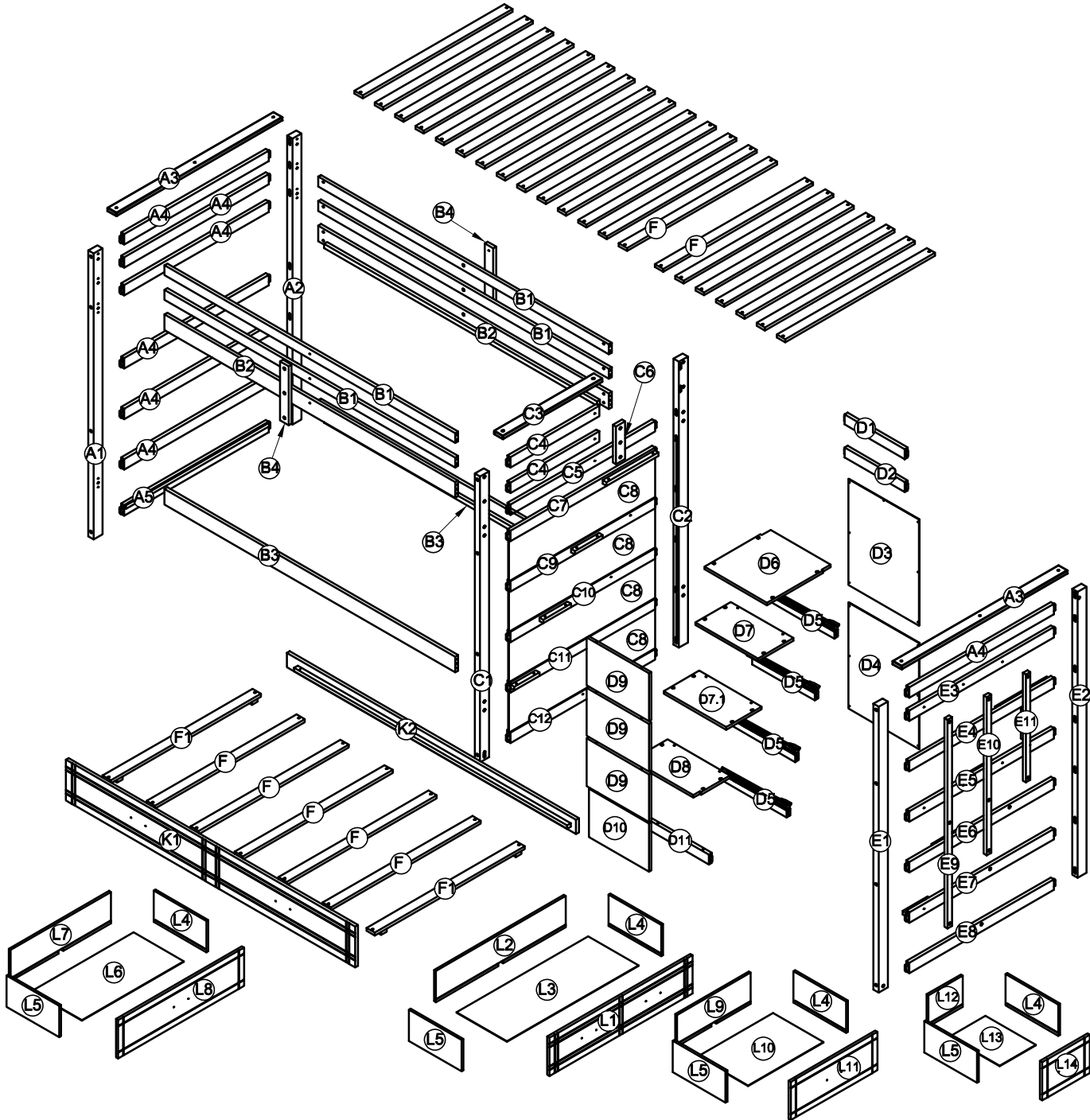
! SAFETY WARNINGS !

1. This bed is designed for use only mattress(es) meeting the following specifications on the upper bunk, and lower bunk:

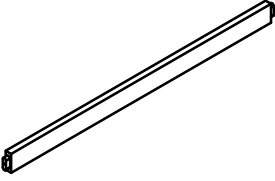

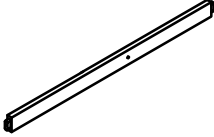

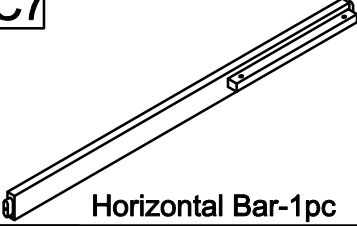
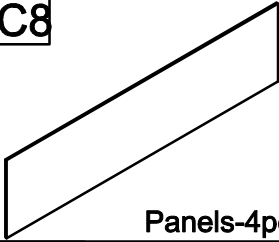
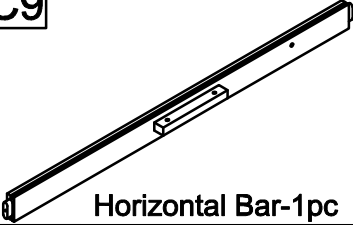
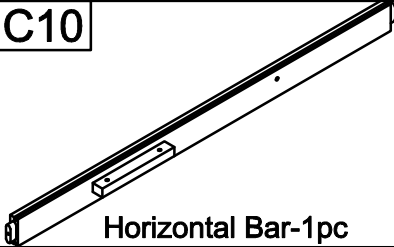
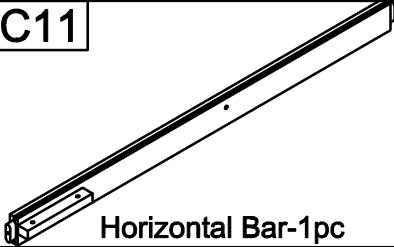
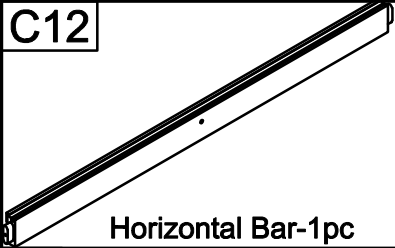
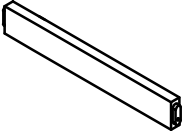
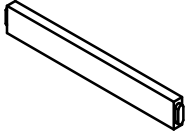
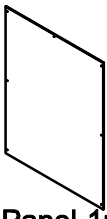
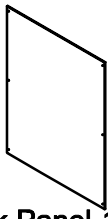
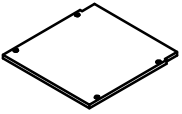
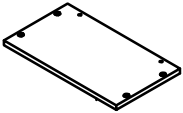
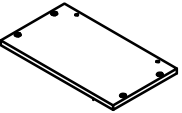
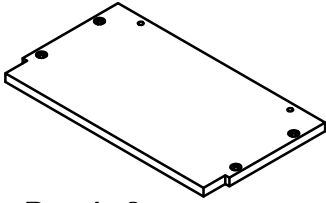
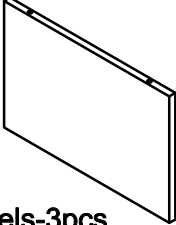
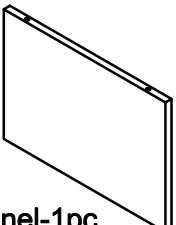
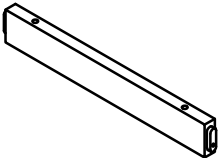
Bed Type	Length	Width	Thickness
<i>Twin Standard</i>	<i>74" - 75"</i>	<i>38 1/2"</i>	<i>8" max</i>

2. Replacement parts, including additional guardrails, may be obtained from any of our (GIGACLOUD TECHNOLOGY(USA) INC) dealers
3. Follow the information on the warnings appearing on the upper bunk bed end structure and on the carton. Do not remove warning label from bed.
4. Always use the recommended size mattresses or mattress supports, or both, to help prevent the likelihood of entrapment or falls.
5. Surface of the mattress must be at least 5" (127 mm) below the upper edge of guardrails.
6. Do not allow children under 6 years of age to use the upper bunk.
7. Periodically check and ensure that the guardrail, ladder, and other components are in their proper position, free from damage, and that all connectors are tight.
8. Do not allow horseplay on or under the bed and prohibit jumping on the bed
9. Always use the ladder for entering and leaving the upper bunk.
10. Do not use substitute parts. Contact the manufacturer or dealer for replacement parts.
11. Use of a night light may provided added safety precaution for a child using the upper bunk.
12. Always use guardrails on both long sides of the upper bunk. If the bunk bed will be placed next to the wall, the guardrail that runs the full length of the bed should be placed against the wall to prevent entrapment between the bed and wall.
13. The use of water or sleep flotation mattresses is prohibited.
14. **STRANGULATION HAZARD** – Never attach or hang items to any part of the bunk bed that are not designed for use with the bed; for example, but not limited to, hook, belts and jump ropes.
15. Keep these instructions for future reference

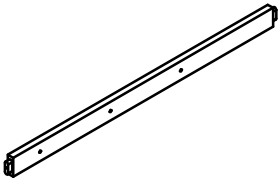
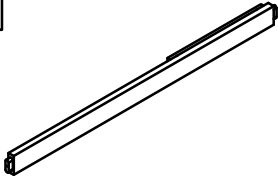
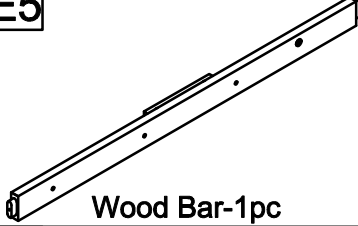
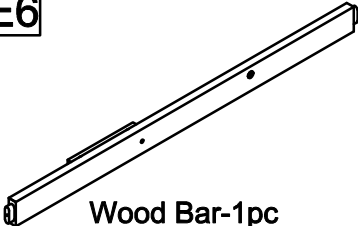
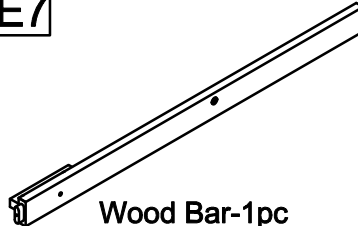
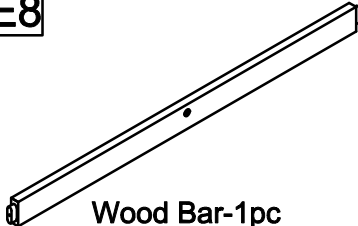
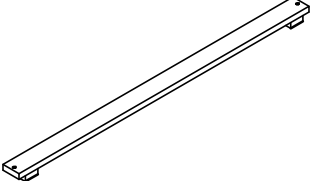
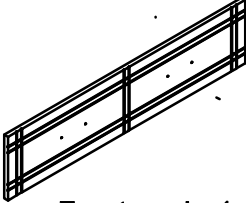
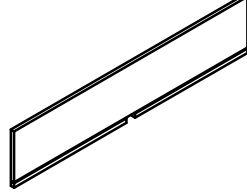
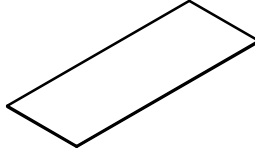
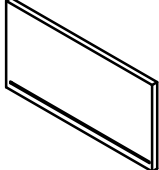
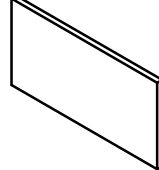
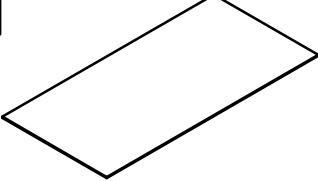
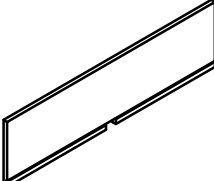
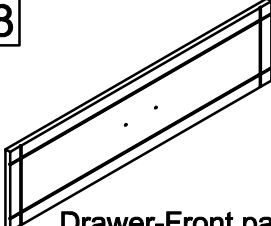
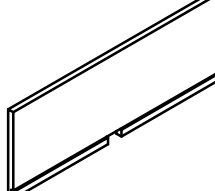
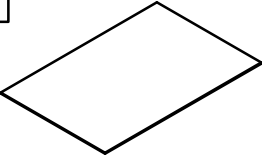
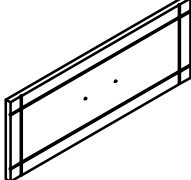
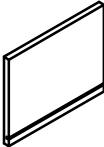
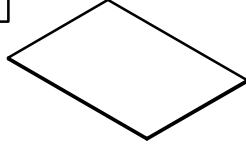
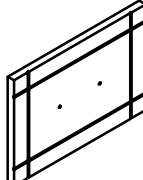
ASSEMBLY INSTRUCTION



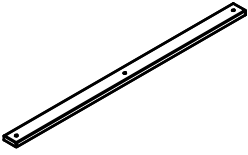
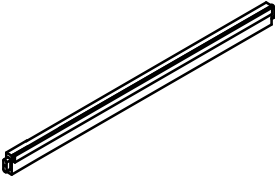
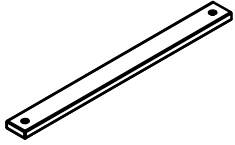
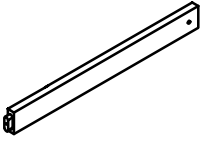
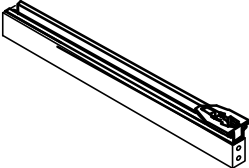



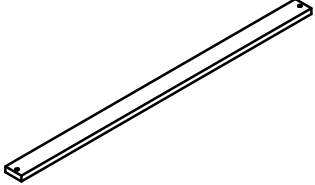
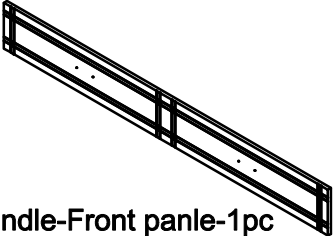
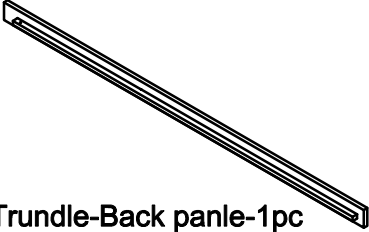
Part List(Box 1-WF286862)

<p>A4</p>  <p>Horizontal Bars-7pcs</p>	<p>B4</p>  <p>Support Side Rails-2pcs</p>	<p>C5</p>  <p>Horizontal Bar-1pc</p>
<p>C6</p>  <p>Vertical Bar-1pc</p>	<p>C7</p>  <p>Horizontal Bar-1pc</p>	<p>C8</p>  <p>Panels-4pcs</p>
<p>C9</p>  <p>Horizontal Bar-1pc</p>	<p>C10</p>  <p>Horizontal Bar-1pc</p>	<p>C11</p>  <p>Horizontal Bar-1pc</p>
<p>C12</p>  <p>Horizontal Bar-1pc</p>	<p>D1</p>  <p>Wood Bar(Back)-1pc</p>	<p>D2</p>  <p>Wood Bar(Back)-1pc</p>
<p>D3</p>  <p>Back Panel-1pc</p>	<p>D4</p>  <p>Back Panel-1pc</p>	<p>D6</p>  <p>Panel-1pc</p>
<p>D7</p>  <p>Panels-1pc</p>	<p>D7.1</p>  <p>Panels-1pc</p>	<p>D8</p>  <p>Panels-2pcs</p>
<p>D9</p>  <p>Panels-3pcs</p>	<p>D10</p>  <p>Panel-1pc</p>	<p>D11</p>  <p>Wood Bar(Front)-1pc</p>

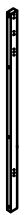

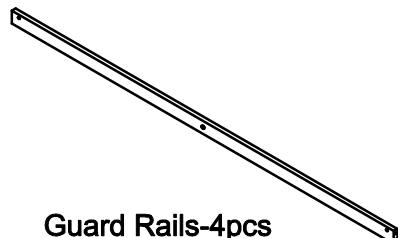
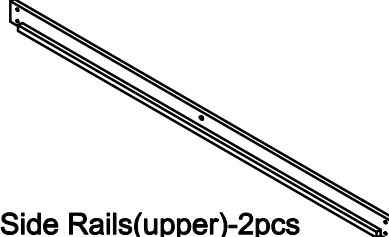
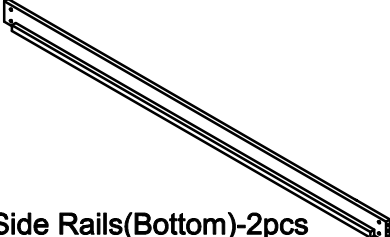




Part List (Box 1-WF286862)

<p>E3</p>  <p>Wood Bar-1pc</p>	<p>E4</p>  <p>Wood Bar-1pc</p>	<p>E5</p>  <p>Wood Bar-1pc</p>
<p>E6</p>  <p>Wood Bar-1pc</p>	<p>E7</p>  <p>Wood Bar-1pc</p>	<p>E8</p>  <p>Wood Bar-1pc</p>
<p>F1</p>  <p>Slats-2pcs</p>	<p>L1</p>  <p>Drawer-Front panle-1pc</p>	<p>L2</p>  <p>Drawer-Back panle-1pc</p>
<p>L3</p>  <p>Drawer-Bottom panle-1pc</p>	<p>L4</p>  <p>Drawer-Side panles-4pcs</p>	<p>L5</p>  <p>Drawer-Side panles-4pcs</p>
<p>L6</p>  <p>Drawer-Bottom panle-1pc</p>	<p>L7</p>  <p>Drawer-Back panle-1pc</p>	<p>L8</p>  <p>Drawer-Front panle-1pc</p>
<p>L9</p>  <p>Drawer-Back panle-1pc</p>	<p>L10</p>  <p>Drawer-Bottom panle-1pc</p>	<p>L11</p>  <p>Drawer-Front panle-1pc</p>
<p>L12</p>  <p>Drawer-Back panle-1pc</p>	<p>L13</p>  <p>Drawer-Bottom panle-1pc</p>	<p>L14</p>  <p>Drawer-Front panle-1pc</p>






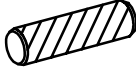
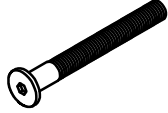



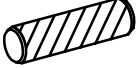

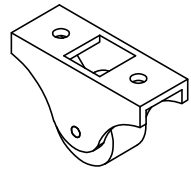


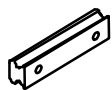



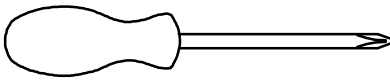
Part List(Box 2-WF286863)

A3  Wood Bars-2pcs	A5  Horizontal Bar-1pc	C3  Wood Bar-1pc
C4  Horizontal Bar-2pc	D5  Support Drawers-4pcs	E9  Vertical Bar-1pc
E10  Vertical Bar-1pc	E11  Vertical Bar-1pc	F  Slats-26pcs
K1  Trundle-Front panle-1pc	K2  Trundle-Back panle-1pc	

Part List -Hardware List (Box 3-WF286864)

A1  Leg(Front+Left)-1pc	A2  Leg(Back+Left)-1pc	B1  Guard Rails-4pcs
B2  Side Rails(upper)-2pcs	B3  Side Rails(Bottom)-2pcs	C1  Leg(Front+Center)-1pc
C2  Leg(Back+Center)-1pc	E1  Leg(Front+Right)-1pc	E2  Leg(Back+Right)-1pc

Hardware List



<p>1</p>  <p>Screws 1/4" x80 23pcs</p>	<p>2</p>  <p>M4 x 30 mm Wood Screws 96pcs</p>	<p>3</p>  <p>Ø1/4" x 25 mm Hex-Head bolts 9cs</p>
<p>4</p>  <p>Ø1/4" x 15 mm Canopy head though -9pcs</p>	<p>5</p>  <p>Ø1/4" x 13 mm Horizontal-Hole bolts 24pcs</p>	<p>6</p>  <p>Ø10 x 40 mm Wood dowel 16pcs</p>
<p>7</p>  <p>Ø1/4" x 80 mm Hex-Head bolts 24pcs</p>	<p>8</p>  <p>Allen Key 1pc</p>	<p>9</p>  <p>Ø1/4" x 30 mm Hex-Head bolts 32pcs</p>
<p>10</p>  <p>Screws 1/4" x60 4pcs</p>	<p>11</p>  <p>Ø8 x 30 mm Wood dowel 24pcs</p>	<p>12</p>  <p>Pan head Screw M4x15 13pcs</p>
<p>13</p>  <p>Wheels 4pcs</p>	<p>14</p>  <p>M4 x 15 mm Wood Screws 20pcs</p>	<p>15</p>  <p>Steel Bracket 3pcs</p>
<p>16</p>  <p>Handle 7pcs</p>	<p>17</p>  <p>Small Bolts M4x20 14pcs</p>	<p>18</p>  <p>Runner(4pcs) 340*30mm</p>
<p>19</p>  <p>Screw M3.5x12 mm 12pcs</p>		

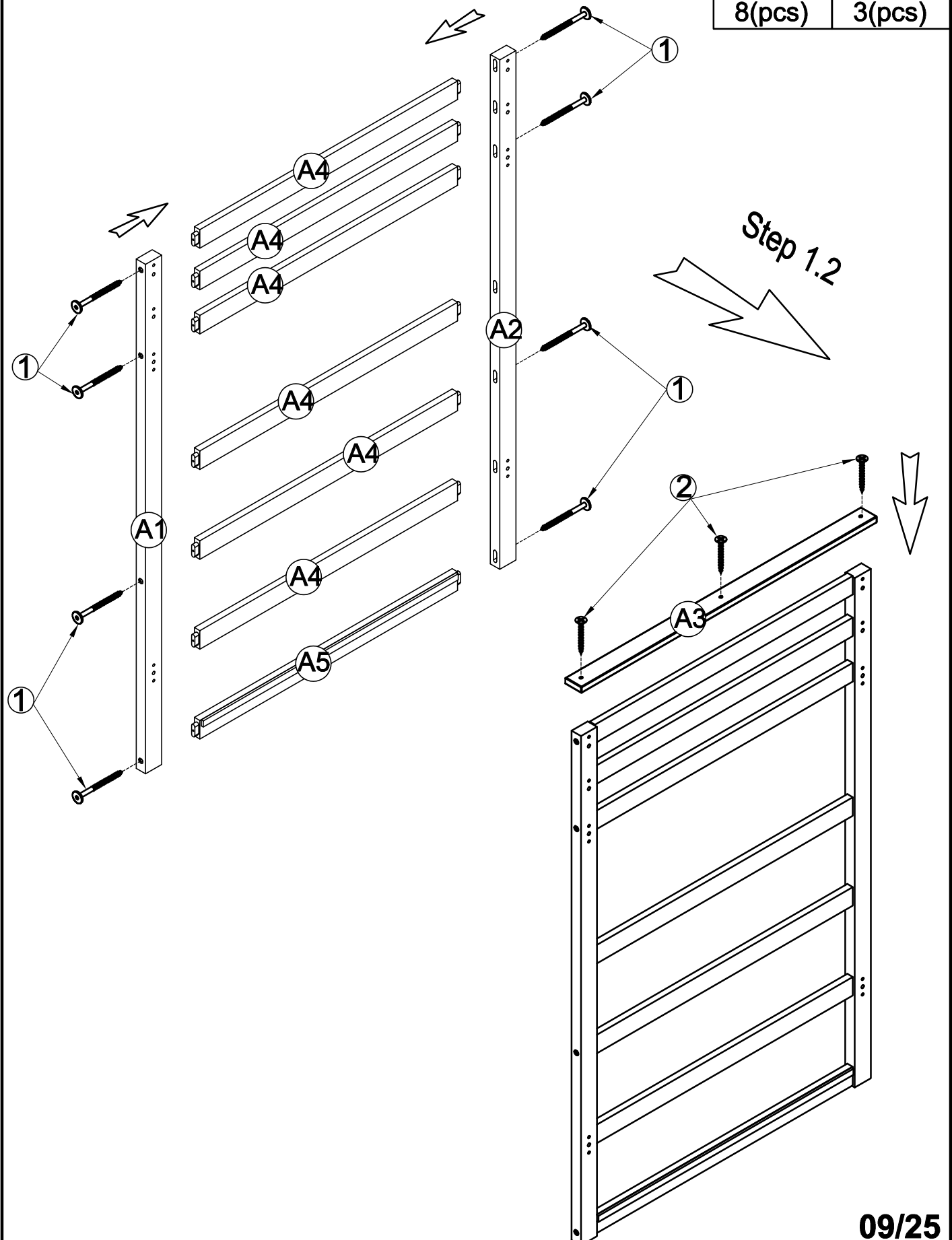
Assembly Tools Required (Not Included)

STEP 1: Following below illustration Assembly Headboard:

-1.1: Using hardware #1 Connect A4(x6), A5 Woodbar with A1, A2 Legs

-1.2: Using hardware #2 Connect Frame (completed on step 1.1) with A3 Woodbar

1	2
	
8(pcs)	3(pcs)







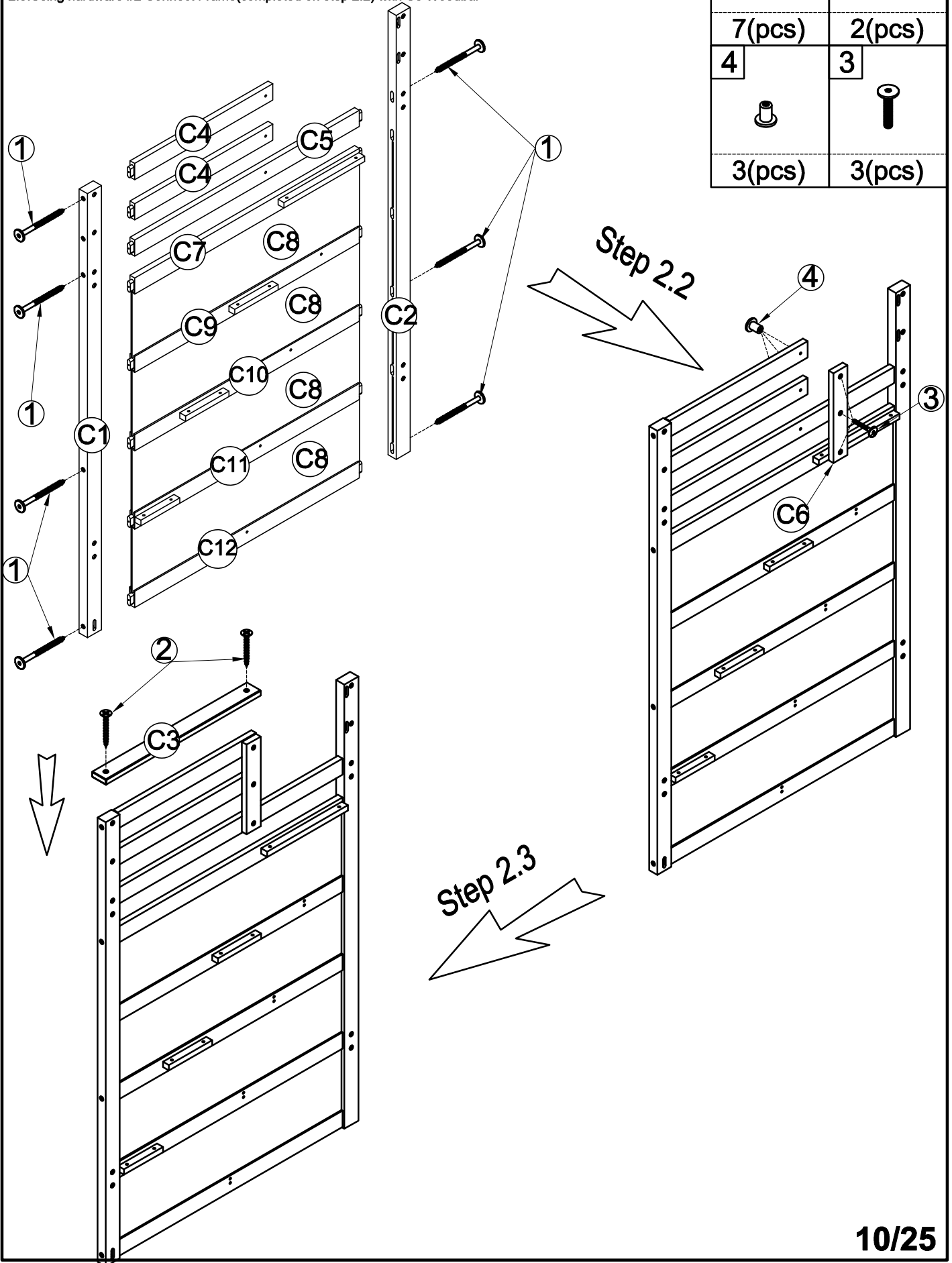
STEP 2: Following below illustration Assembly Footboard:

-2.1: Using hardware #1 Connect C4,C5,C7,C9,C10,C11,C12 Woodbars and C8(x4) Panels with C1,C2 Legs

-2.2: Using hardware #3,#4 Connect Frame(completed on step 2.1) with C6 Woodbar

-2.3: Using hardware #2 Connect Frame(completed on step 2.2) with C3 Woodbar

1	2
	
7(pcs)	2(pcs)
4	3
	
3(pcs)	3(pcs)






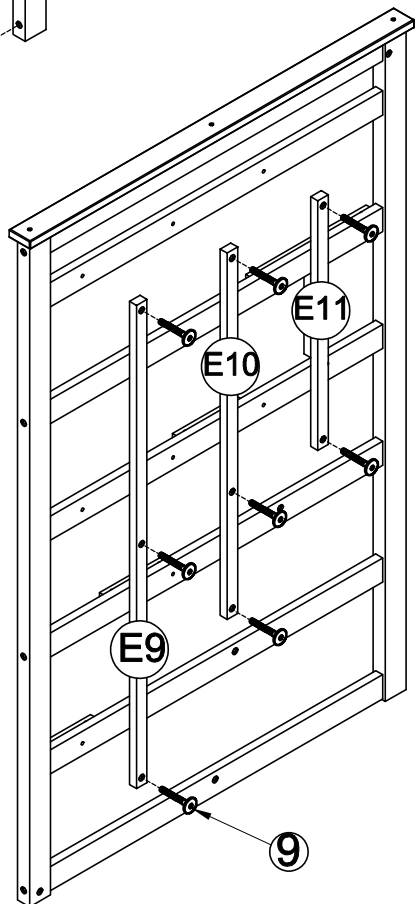
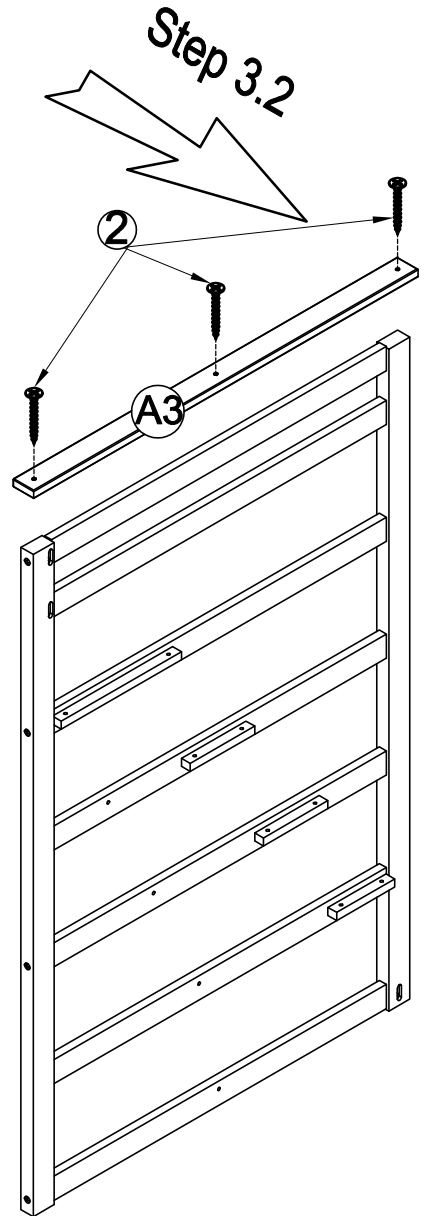
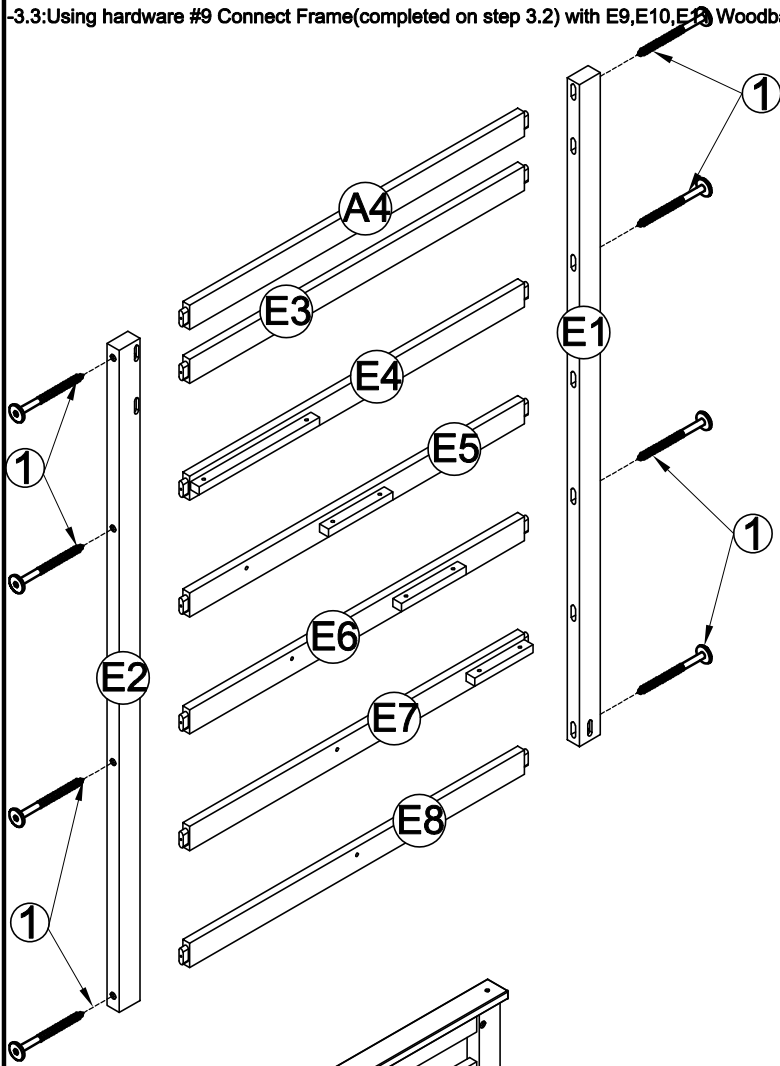
STEP 3: Following below illustration:

-3.1: Using hardware #1 Connect A4,E3,E4,E5,E6,E7,E8 Woodbars with E1,E2 Legs

-3.2: Using hardware #2 Connect Frame(completed on step 3.1) with A3 Woodbar

-3.3: Using hardware #9 Connect Frame(completed on step 3.2) with E9,E10,E11 Woodbar


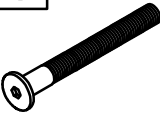

1	2
	
8(pcs)	3(pcs)
	9
	
	8(pcs)

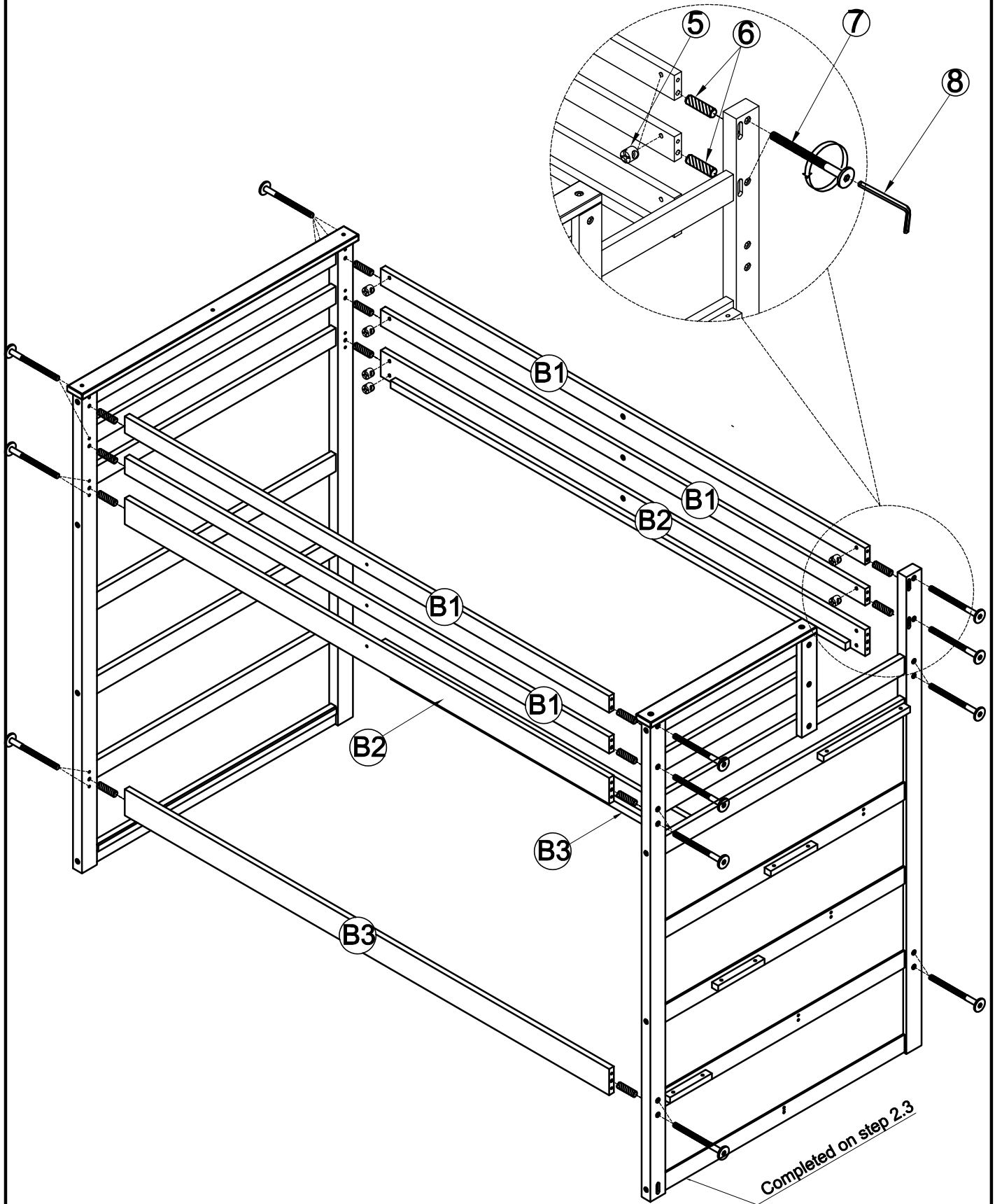


Step 3.3

STEP 4: Following below illustration:



-Using hardware #5,#7 and dowel #6 follow detail view to Assembly Frame (Completed on step 1.2) and Frame(Completed on step 2.3) with siderail B2(x2),B3(x2) and Guard Rails B1(x4)
-Look at detail view for more detail

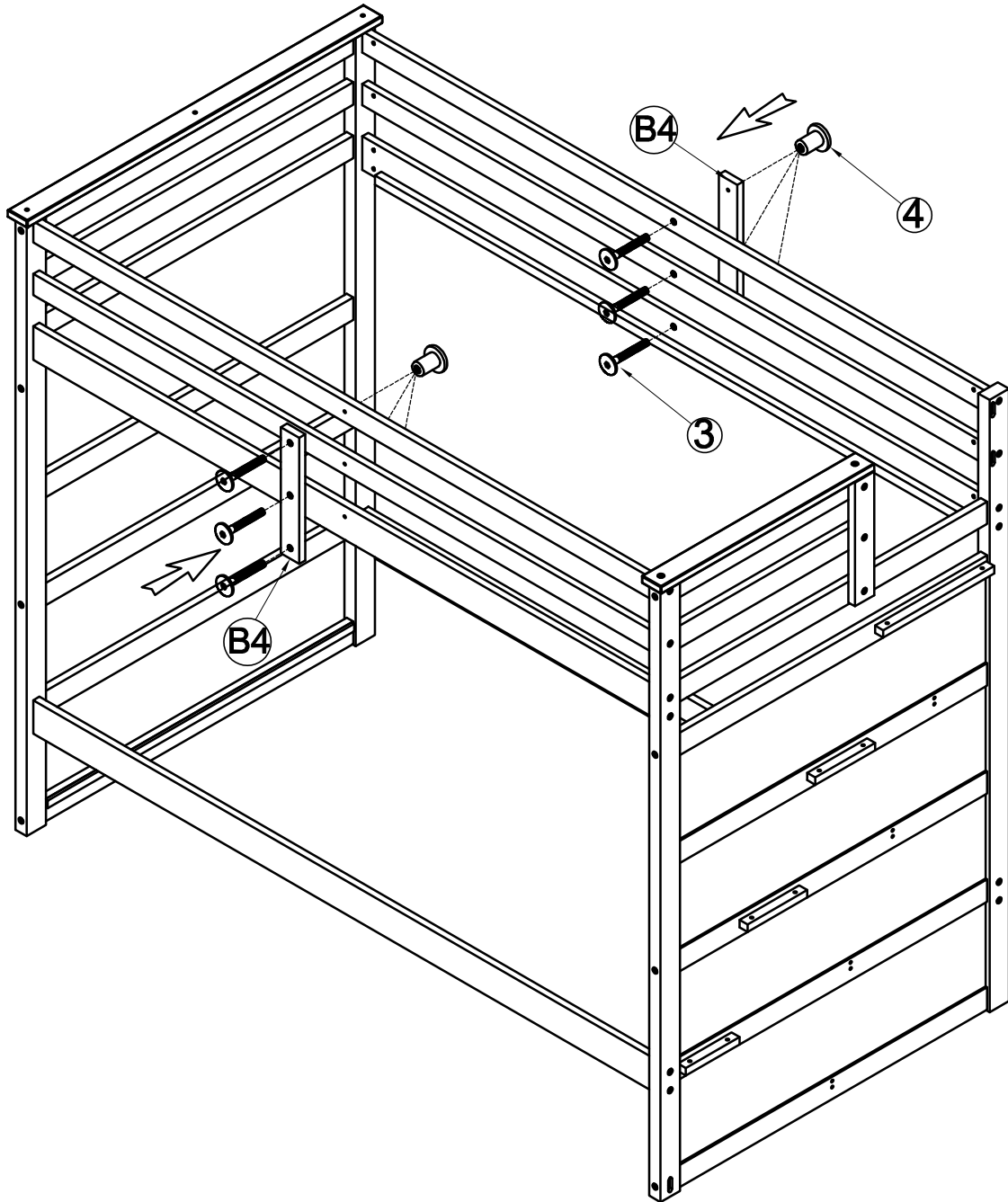
5	7	6
		
24pcs	24pcs	16pcs



STEP 5: Following below illustration:




- Using hardware #3,#4 to Assembly Frame (Completed on step 4) With Support Side Rails B4(x2)
- Look at detail view for more detail

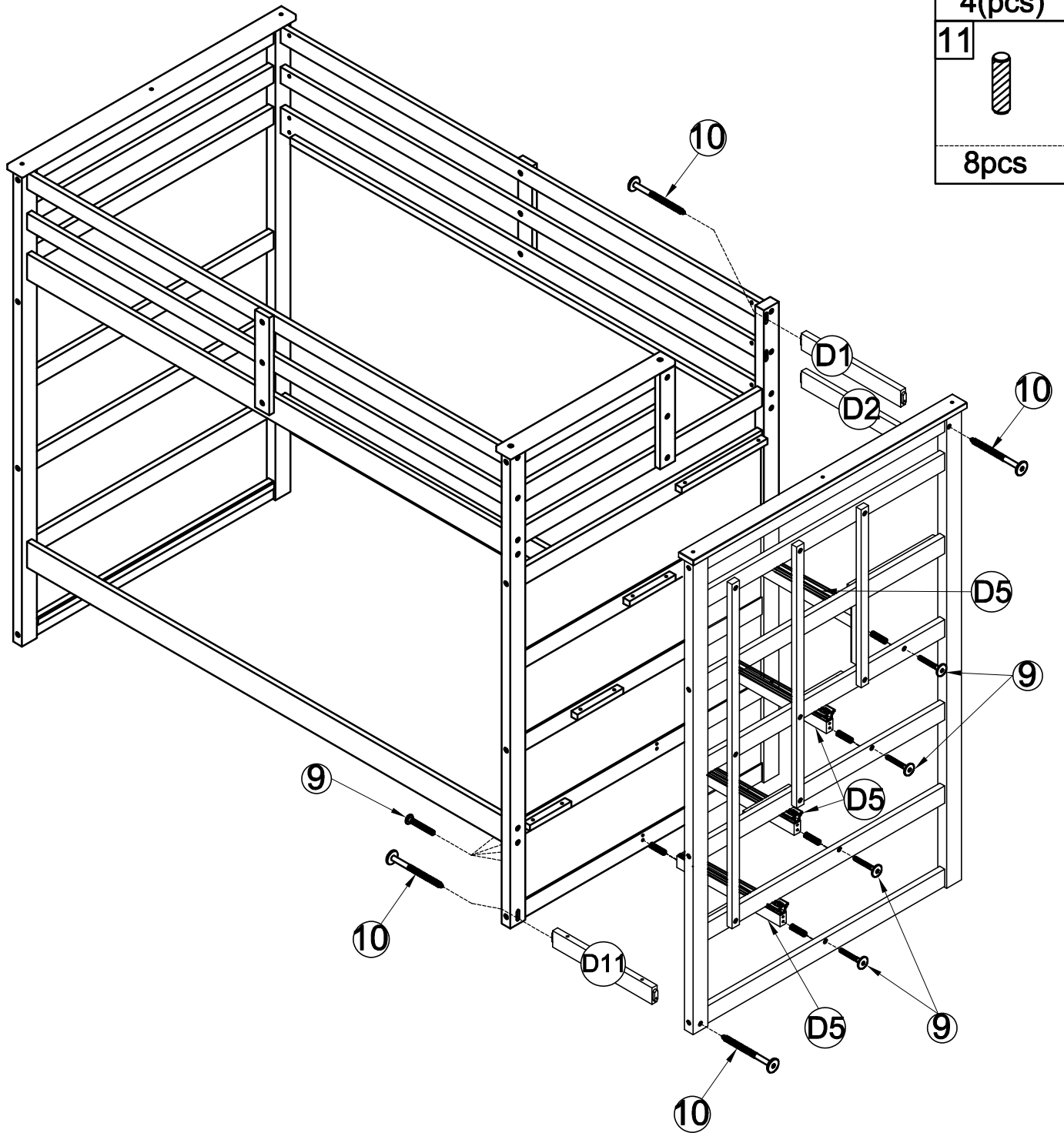
4	3
	
6(pcs)	6(pcs)



STEP 6: Following below illustration:

-Using hardware #9,#10 and Dowel #11 to Assembly Frame (Completed on step 5) and Frame(Completed on step 3.3) With Support Drawers D5(x4) and Wood Bar D1,D2,D11
-Look at detail view for more detail

9	
8(pcs)	
10	
4(pcs)	
11	
8(pcs)	

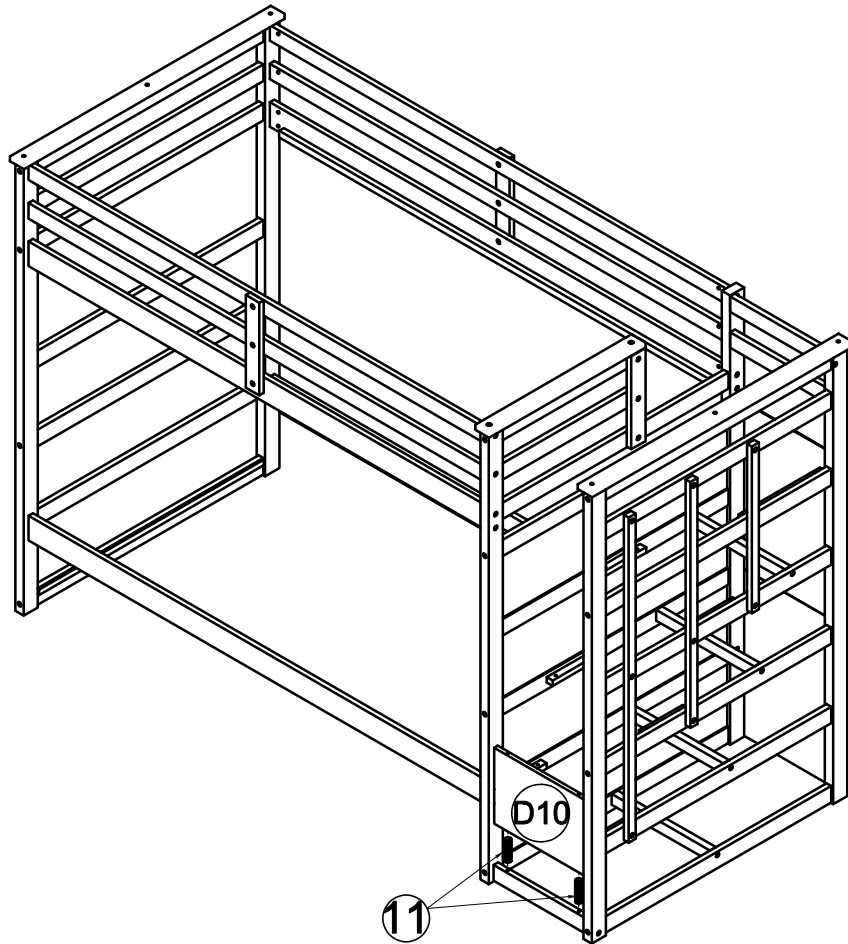


STEP 7-1:ASSEMBLY STAIRS

11



2pcs



STEP 7-2:ASSEMBLY STAIRS

11

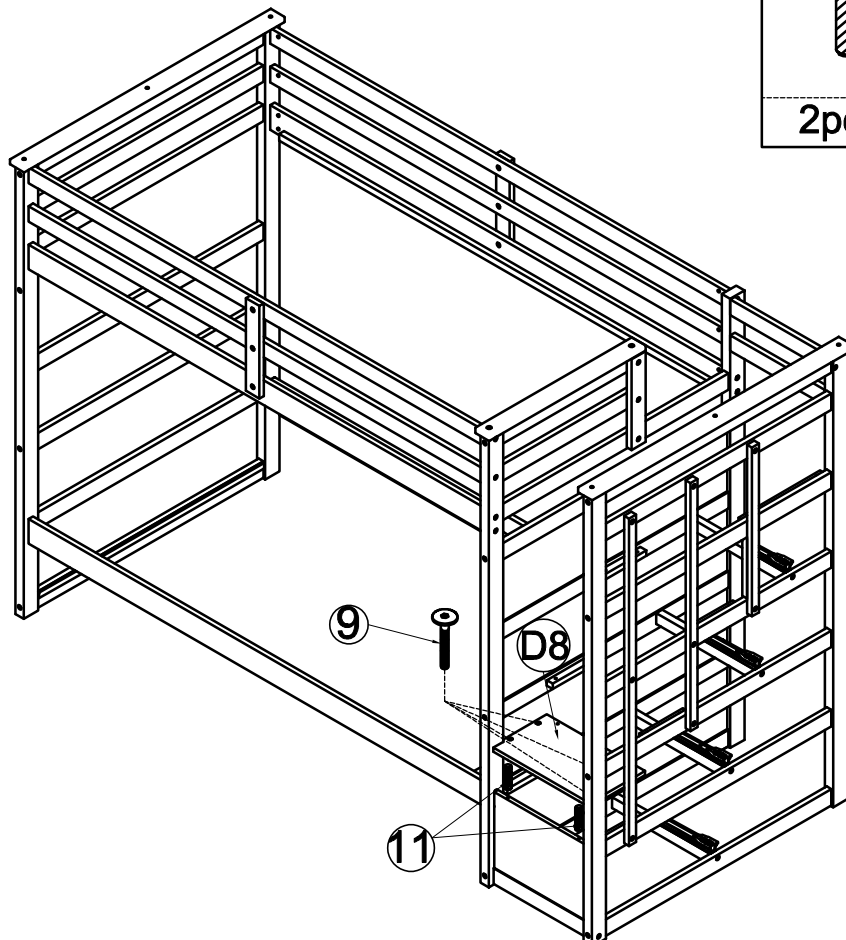


2pcs

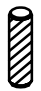
9

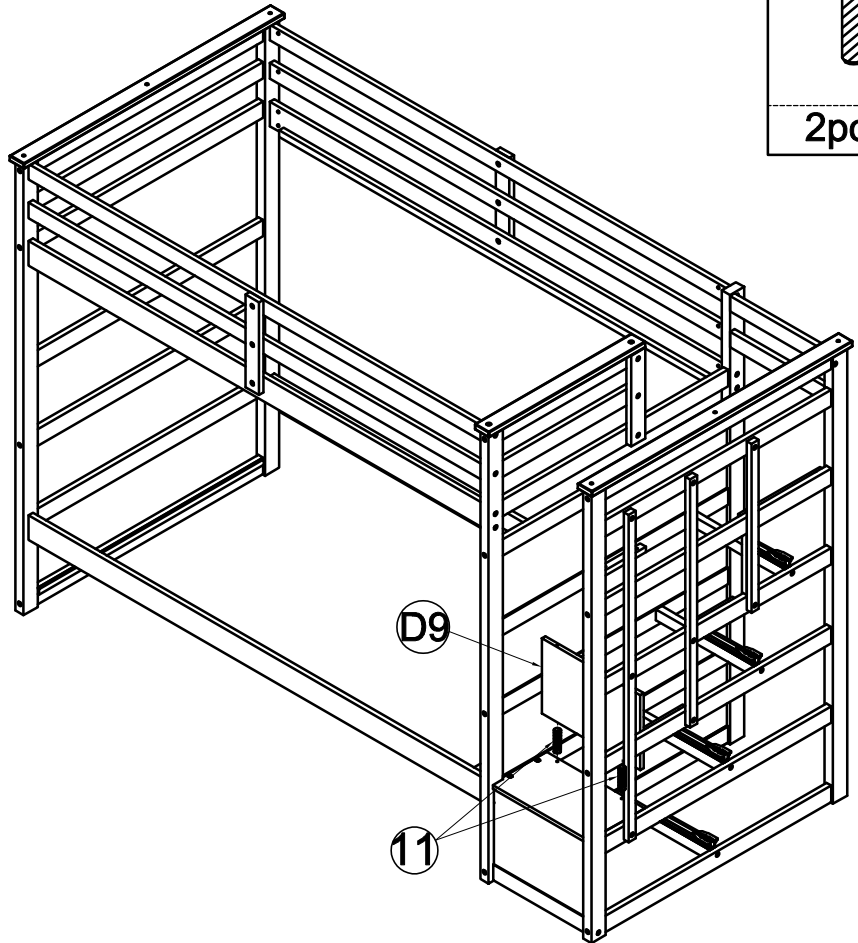


4(pcs)





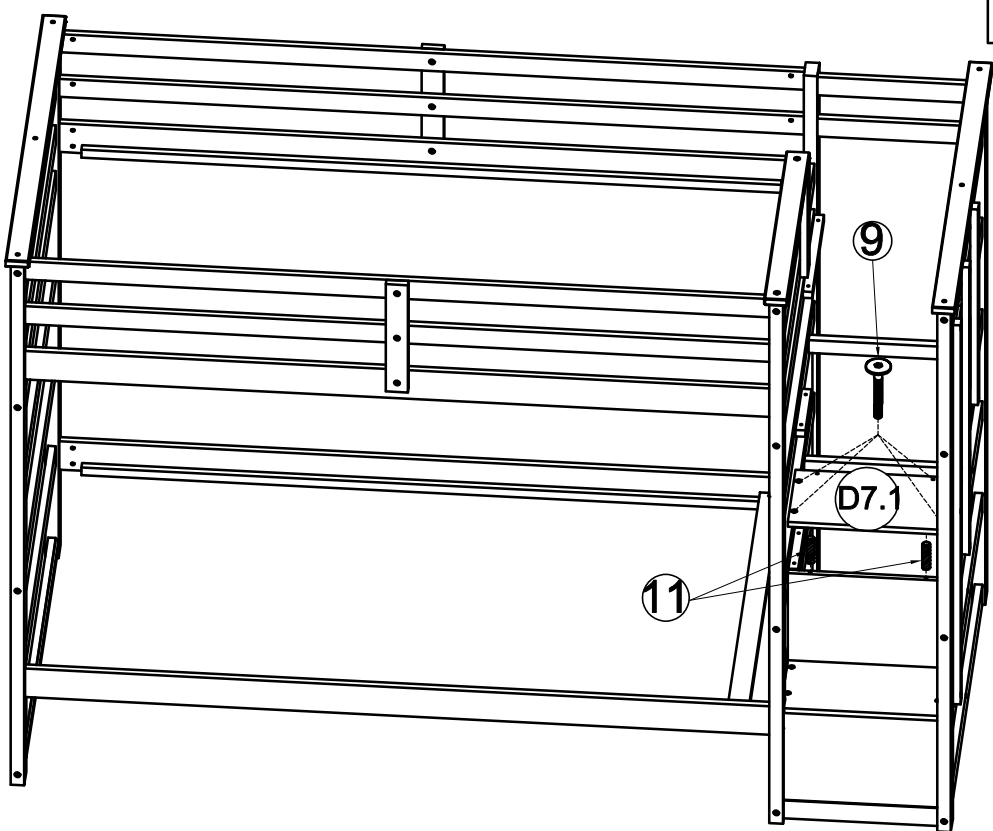
STEP 7-3:ASSEMBLY STAIRS

11	
2pcs	

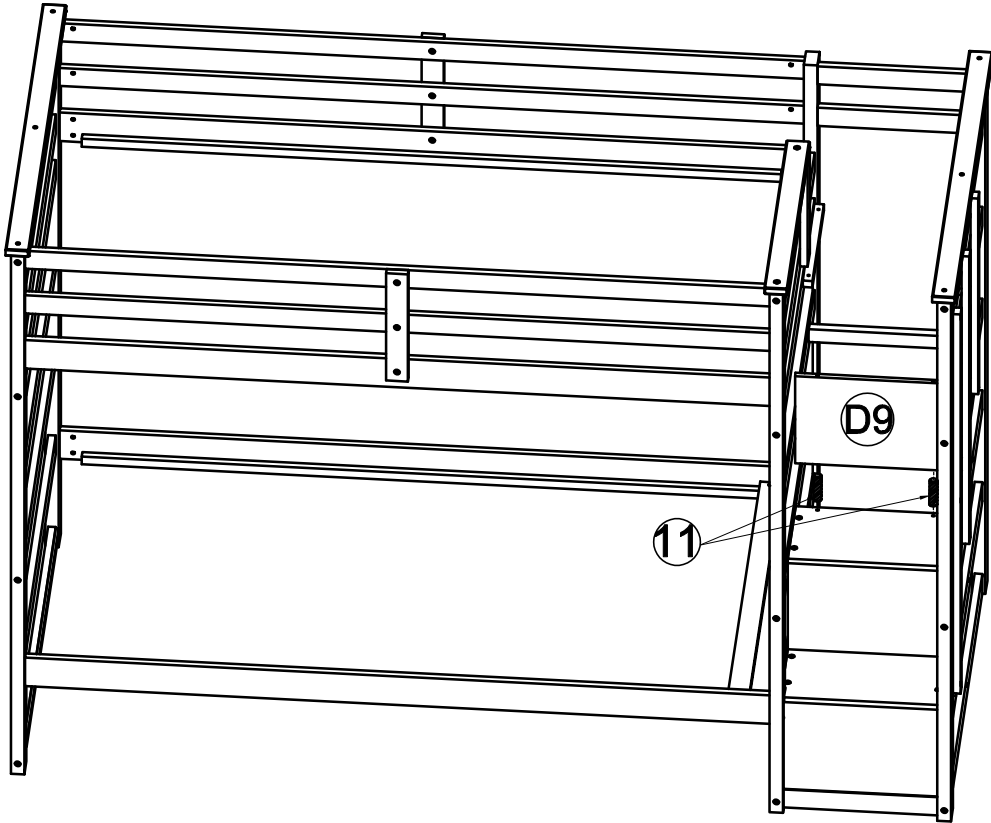


STEP 7-4:ASSEMBLY STAIRS

11		9	
2pcs		4(pcs)	



STEP 7-5:ASSEMBLY STAIRS

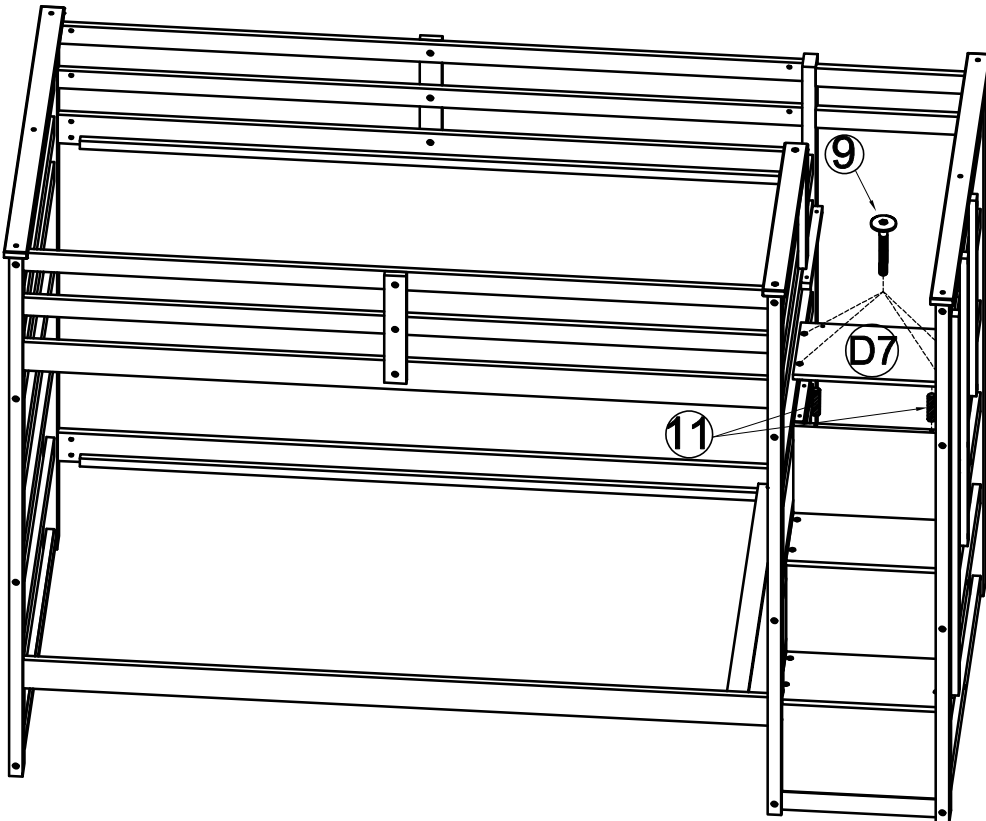


11



2pcs

STEP 7-6:ASSEMBLY STAIRS



11



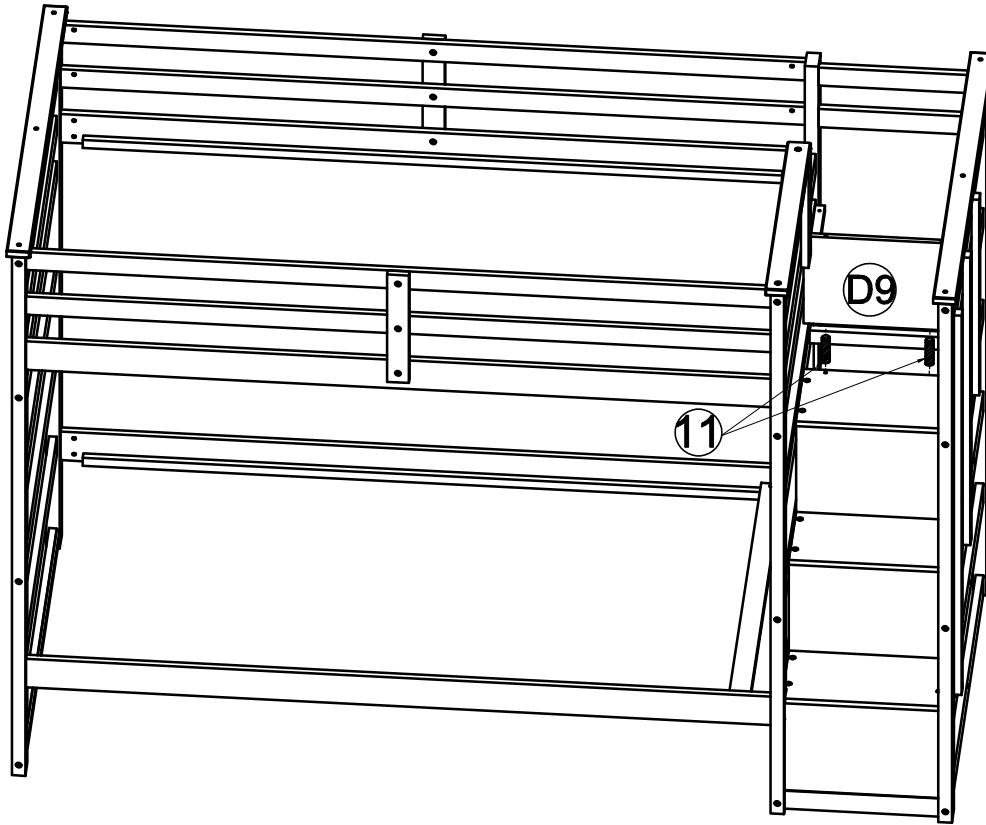
2pcs


9



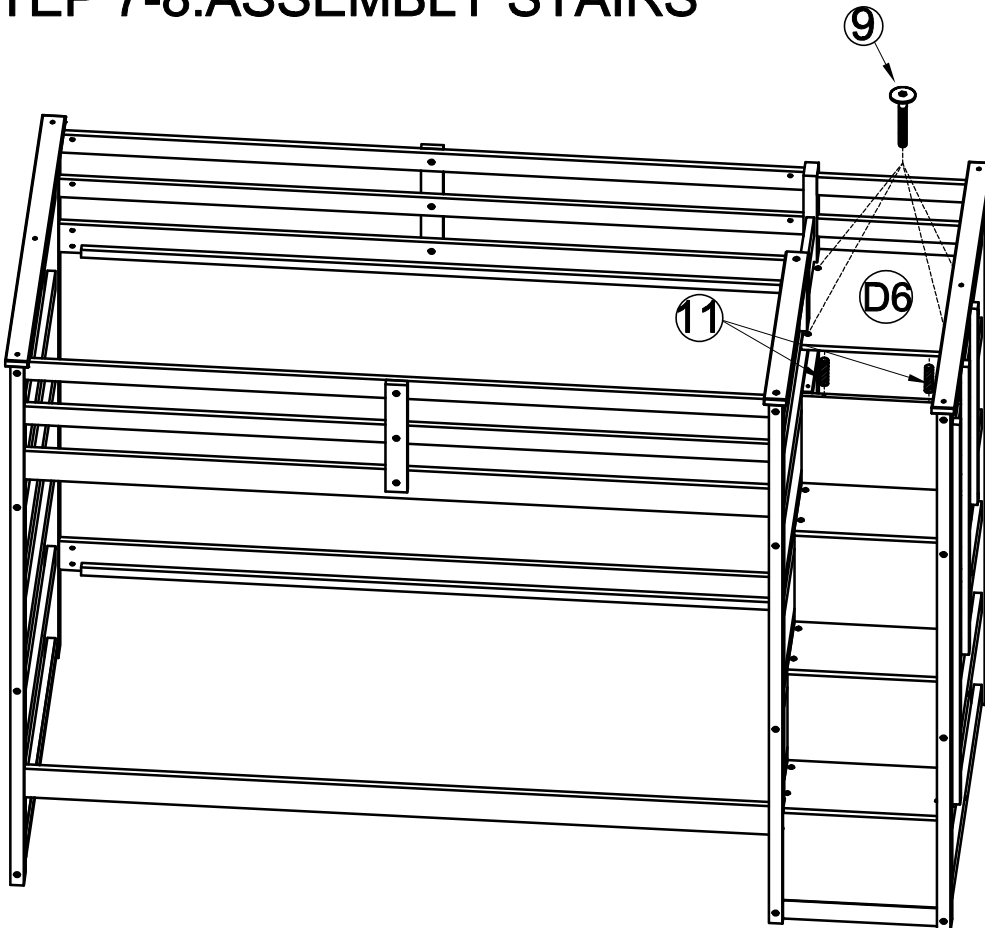
4(pcs)



STEP 7-7:ASSEMBLY STAIRS



11	
2pcs	


STEP 7-8:ASSEMBLY STAIRS



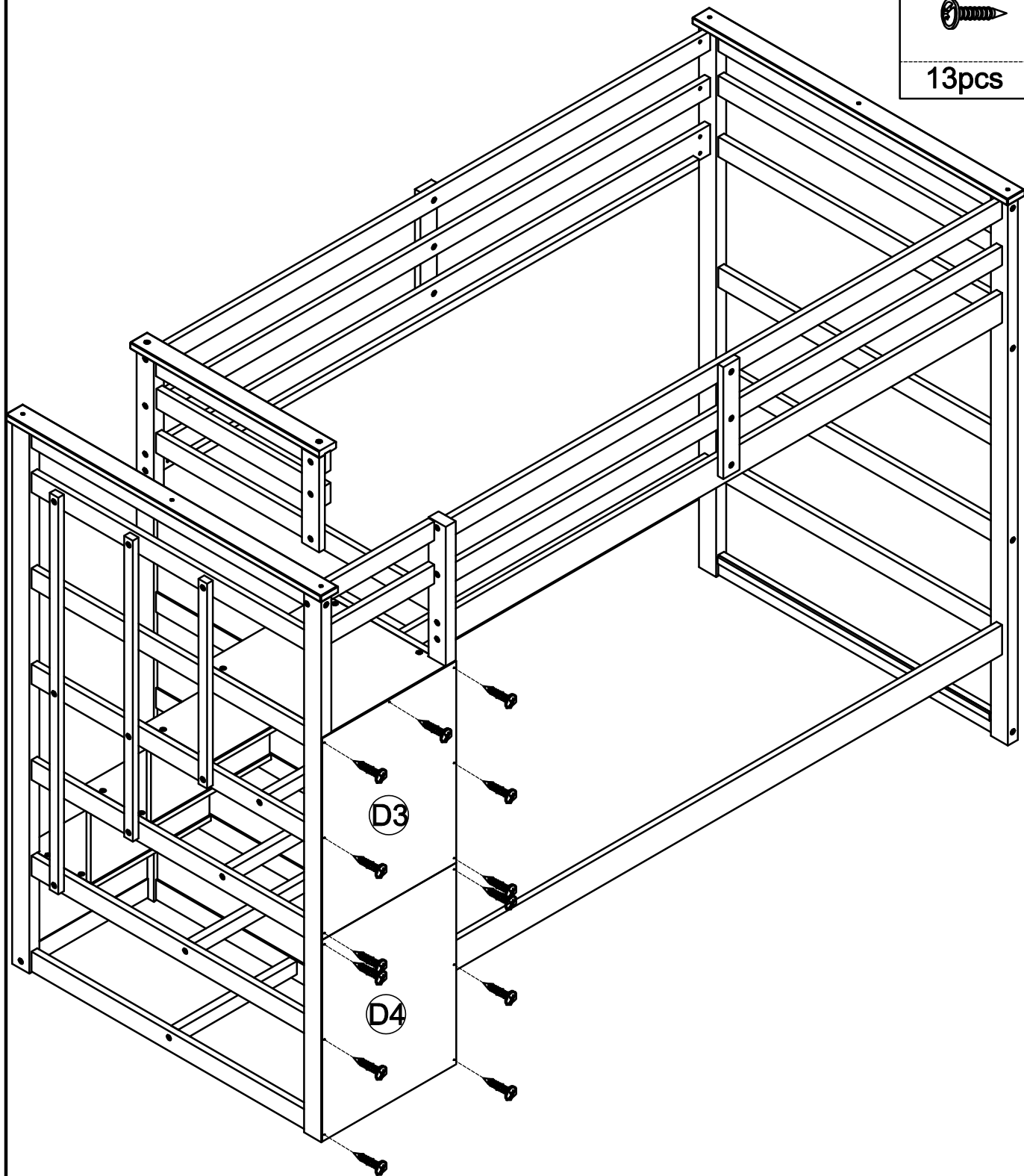
11		9	
2pcs		4(pcs)	

STEP 7-9: ASSEMBLY STAIRS

12



13pcs



STEP 8:

Following below illustration:

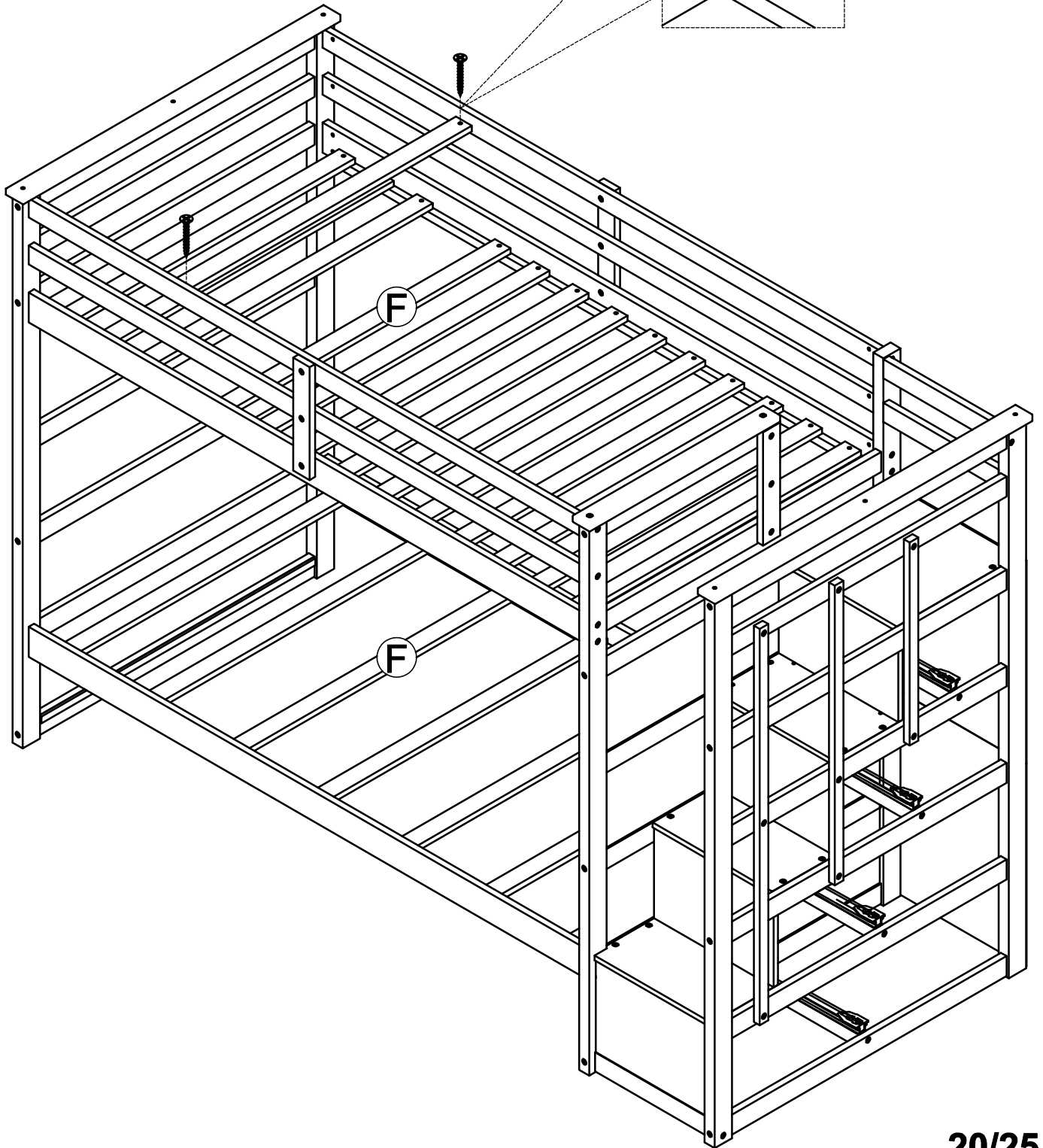
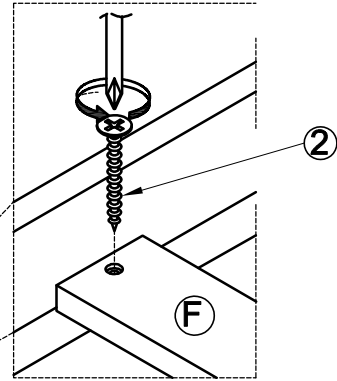
-Screw 21 slats F with Side Rail B2(x2),B3(x2) by using hardward #2.

-Look at detail view for more detail

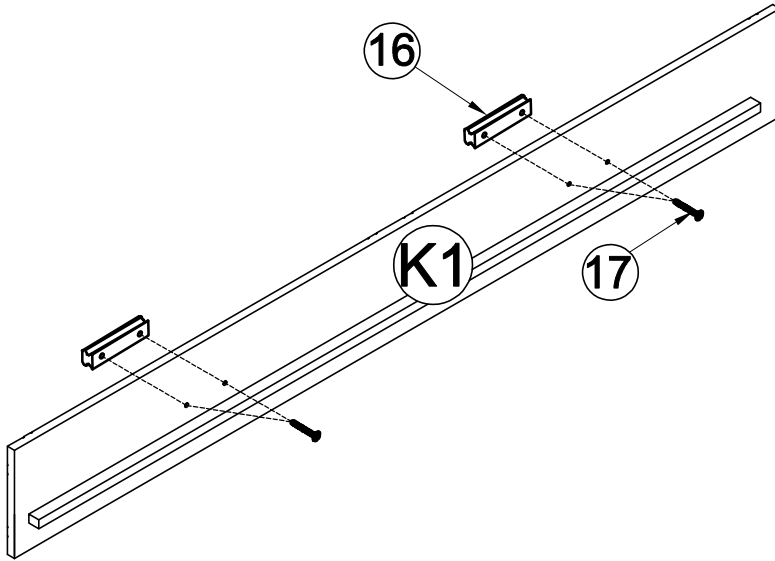
2



42(pcs)



STEP 9-1:ASSEMBLY TRUNDLE



16



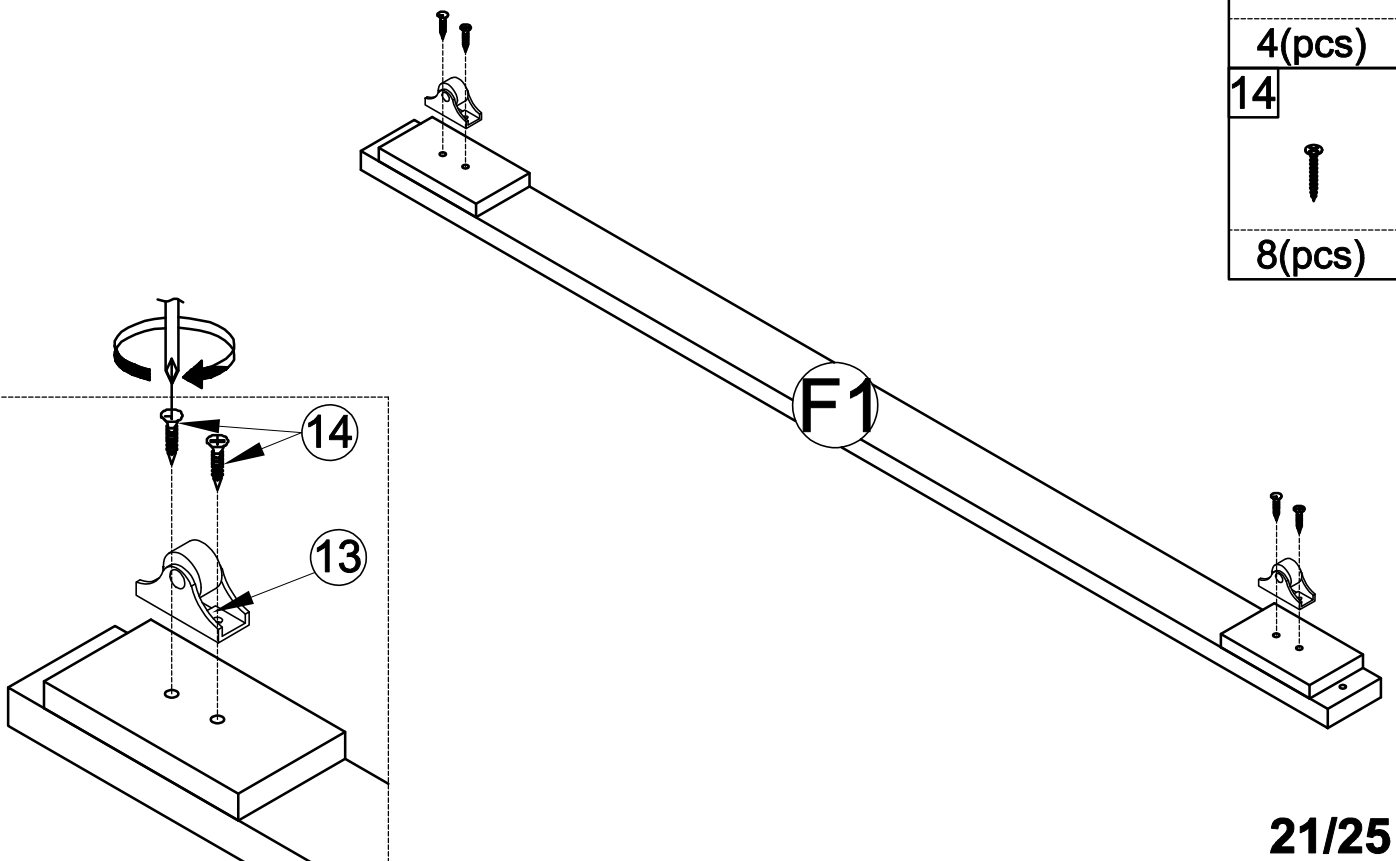
2(pcs)

17

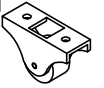


4(pcs)

STEP 9-2:ASSEMBLY TRUNDLE



13



4(pcs)


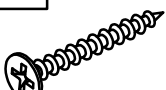

14

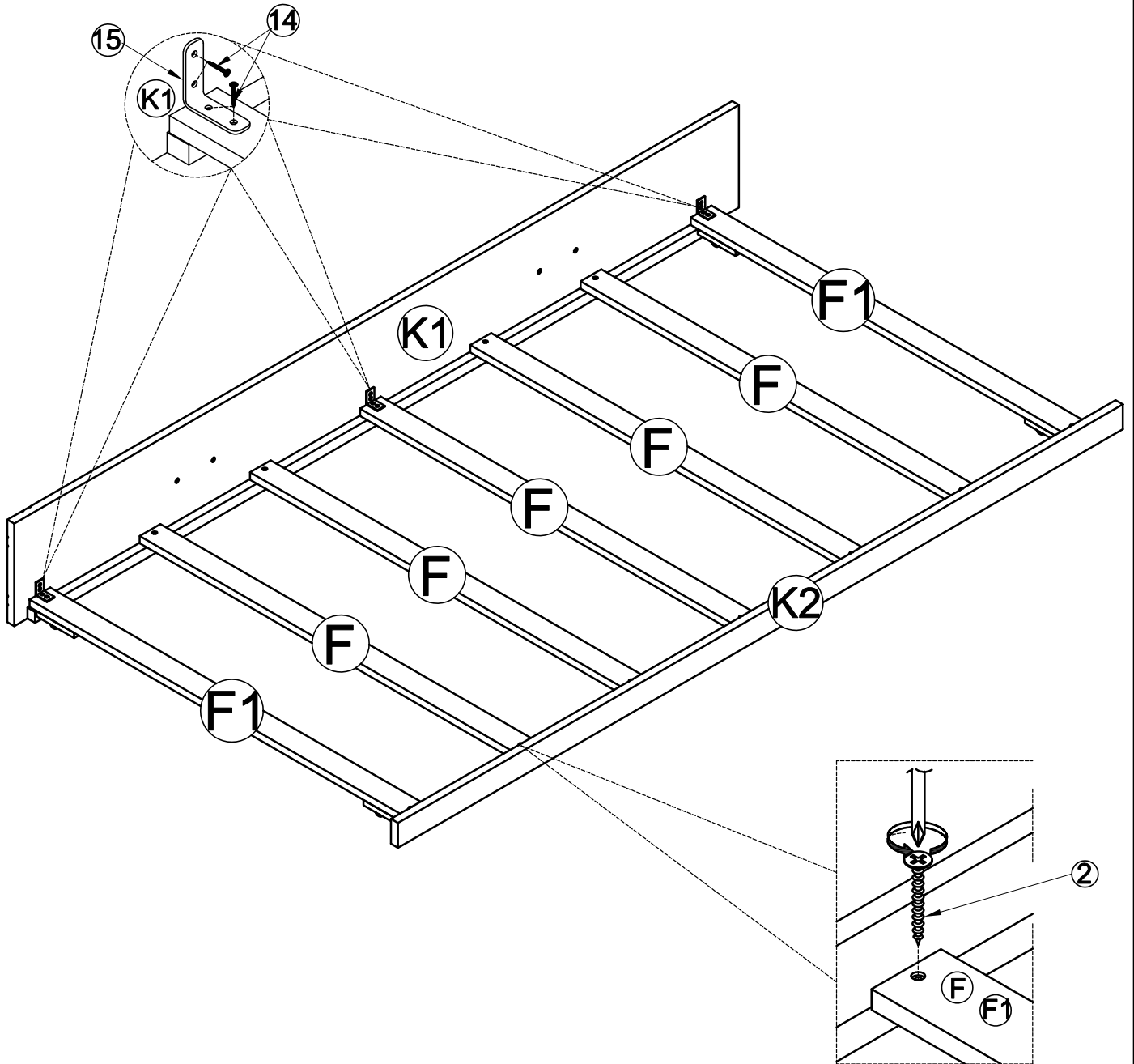


8(pcs)

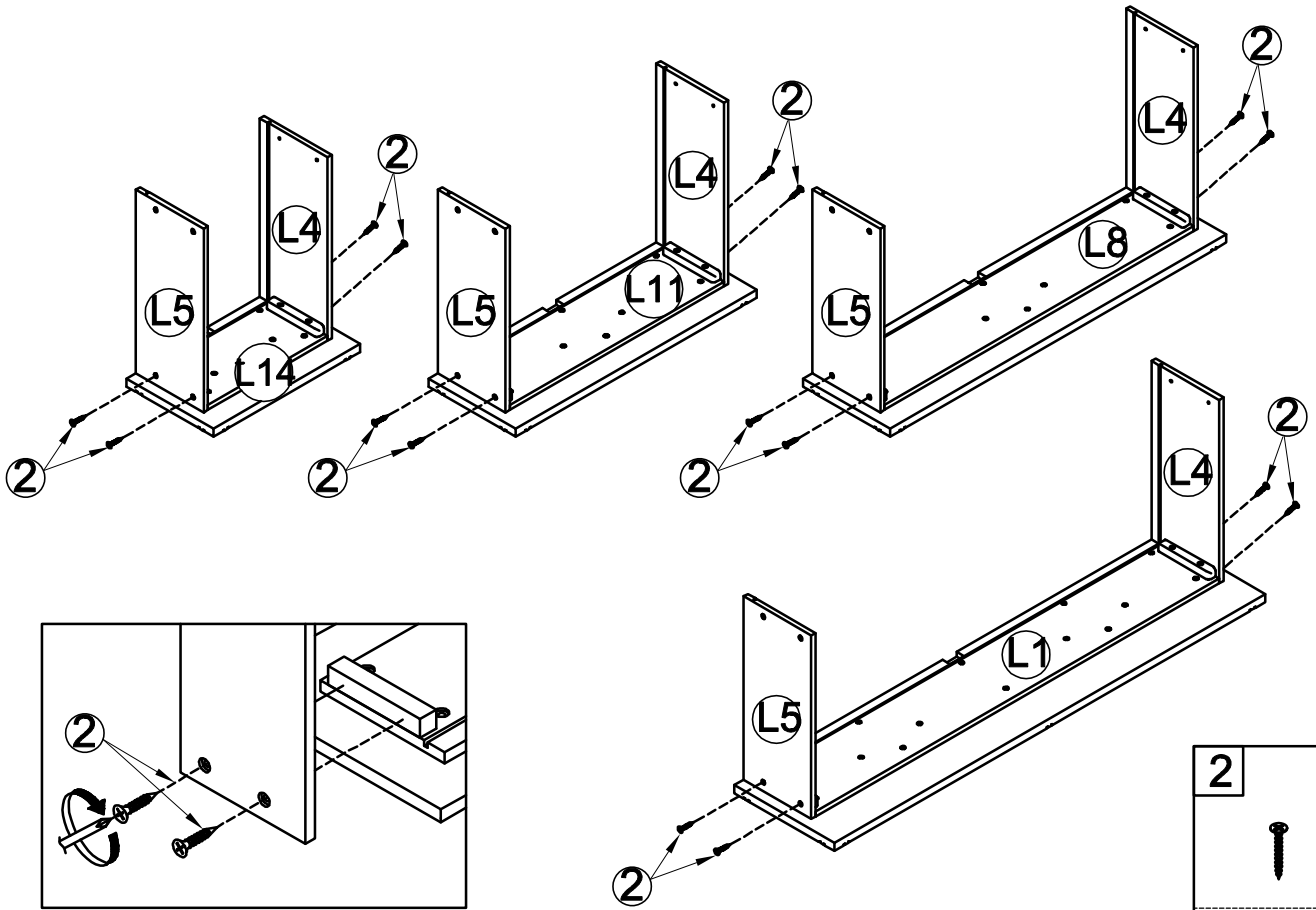
STEP 9-3: Following below illustration:

- Screw 5 slats F, 2 slats F1 with Front Trundle(K1) and Back Trundle(K2) using hardware #2.
- Screw Steel Bracket (#15) with Front Trundle(K1) and slats F1 using hardware #14
- Look at detail view for more detail

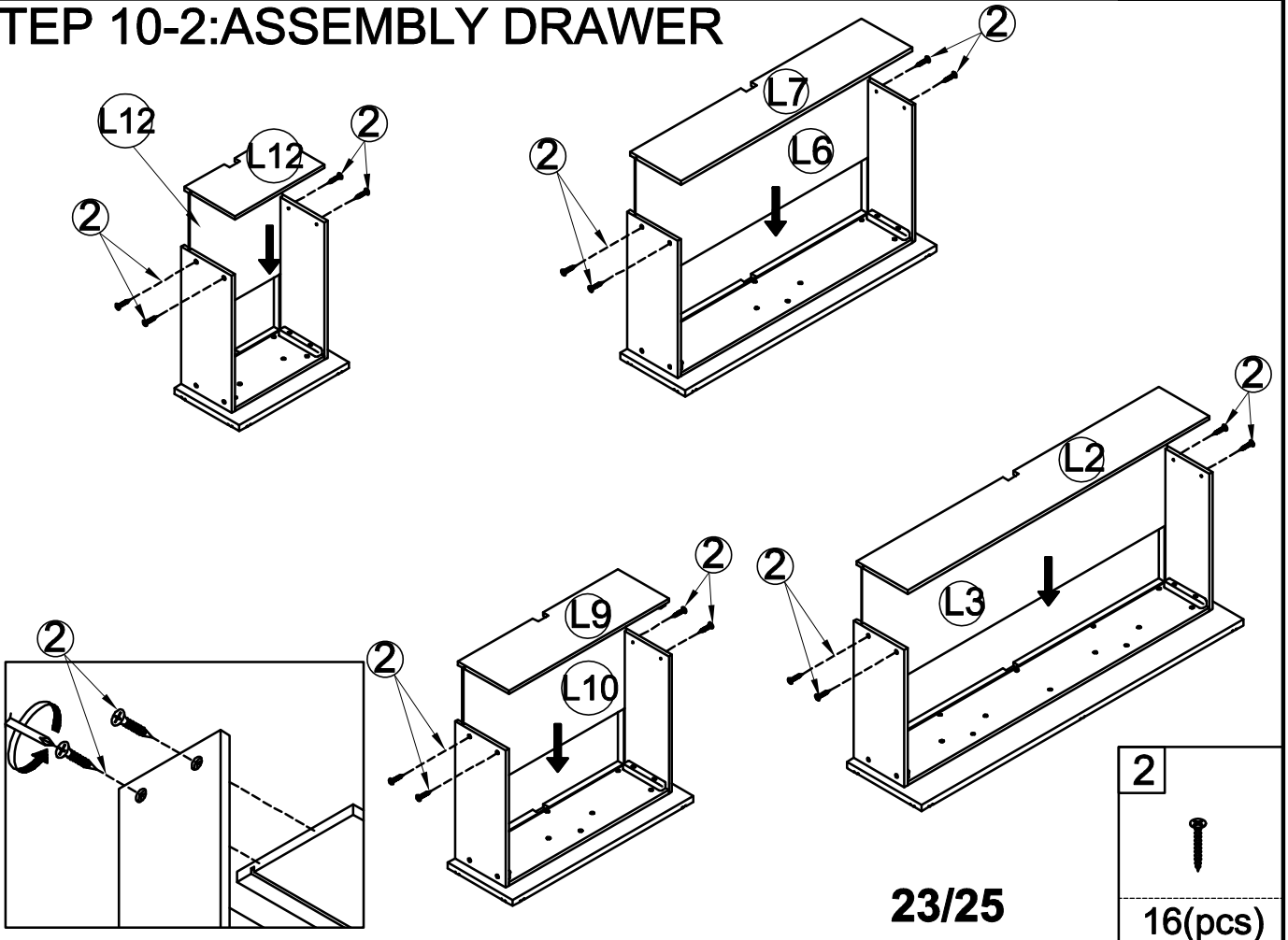
15		14		2	
3pcs		12pcs		14pcs	





STEP 10-1: ASSEMBLY DRAWER

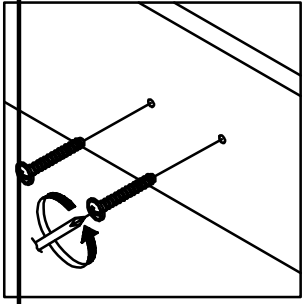
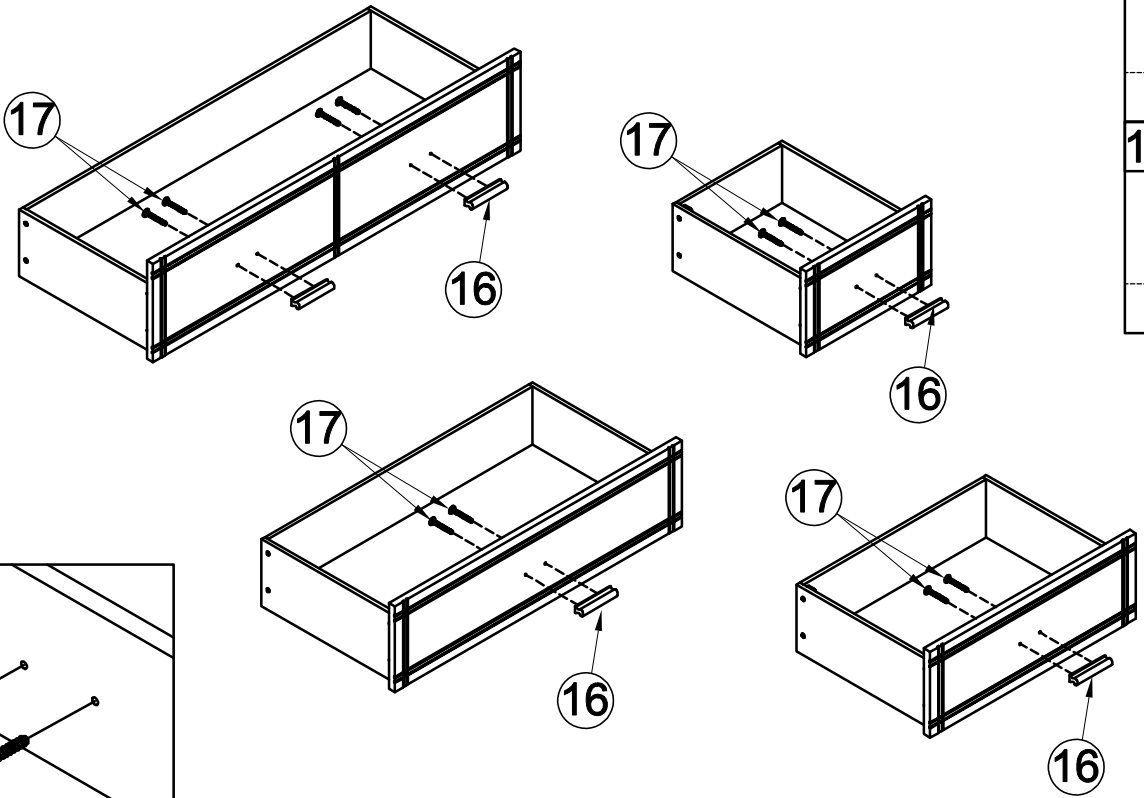


STEP 10-2: ASSEMBLY DRAWER





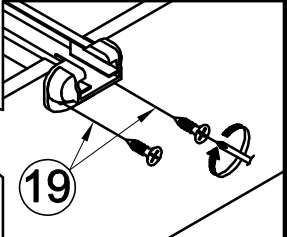
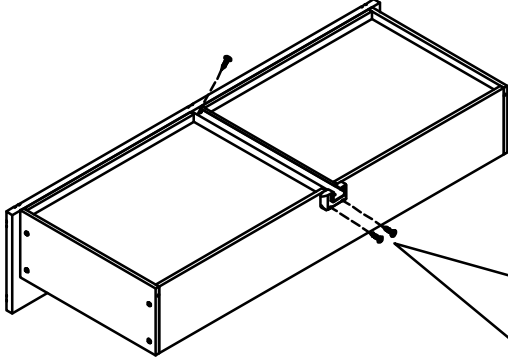
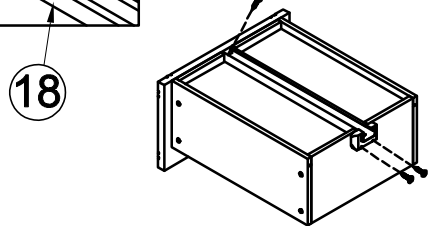
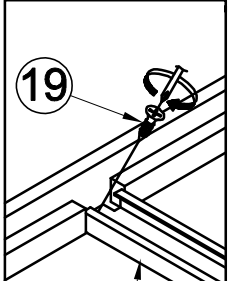
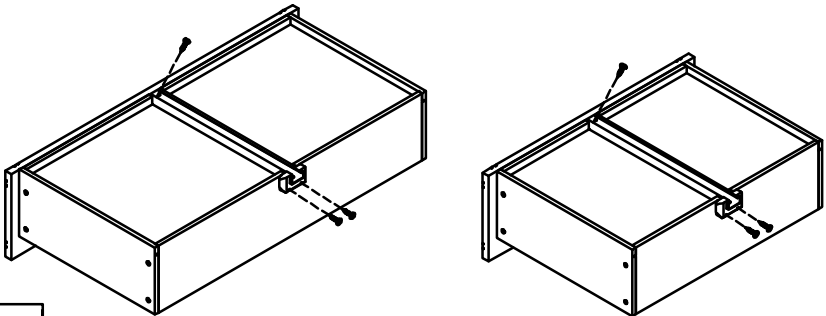
STEP 10-3:ASSEMBLY DRAWER

- 16 
- 5(pcs)
- 17 
- 10(pcs)



STEP 10-4:ASSEMBLY DRAWER

- 18 
- 4PCS
- 19 
- 12PCS



STEP 11: CONGRARULATION. YOU HAVE COMPLETED THE BED.

just one more step to push the Under Bed Trundle and 4 Drawers into it position

