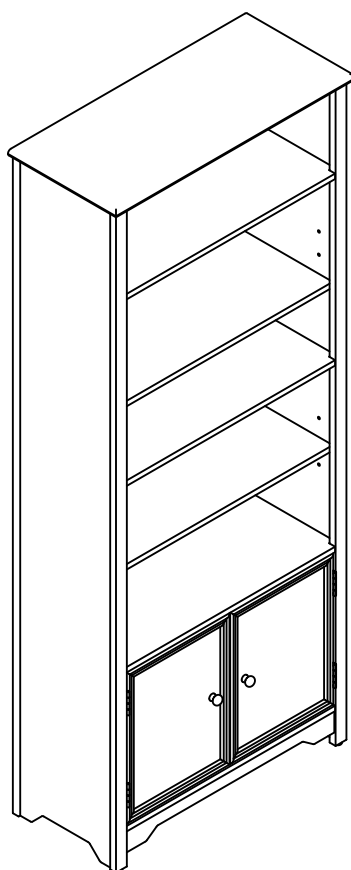


## USE AND CARE GUIDE

---

### BRADSTONE OPEN BOOKCASE WITH 2 DOORS



Questions, problems, missing parts? Before returning to the store,  
call Home Decorators Collection Customer Service.  
8 a.m. – 7 p.m., EST, Monday – Friday, 9 a.m. – 6 p.m., EST, Saturday

**1-800-986-3460**

**[HOMEDEPOT.COM/HOMEDECORATORS](http://HOMEDEPOT.COM/HOMEDECORATORS)**

---

#### THANK YOU

*We appreciate the trust and confidence you have placed in Home Decorators Collection through the purchase of this Bradstone Open Bookcase with 2 Doors. We strive to continually create quality products designed to enhance your home. Visit us online to see our full line of products available for your home improvement needs. Thank you for choosing Home Decorators Collection!*

# Table of Contents

Table of Contents.....	2	Pre-assembly (continued).....	4
Safety Information.....	2	Package Contents.....	4
Pre-assembly.....	3	Notification.....	5
Planning Assembly.....	3	Assembly.....	6-10
Tools Required.....	3	Maintenance.....	11
Hardware Included.....	3	Care and Cleaning.....	11
		Troubleshooting.....	11

## Safety Information



### DANGER

- Keep small parts away from children during assembly.
- Read and follow instructions carefully.



### WARNING

- Read these instructions carefully and keep in a safe place.
- TO GUARANTEE THE SAFE USE OF THIS PRODUCT, FOLLOW THE WARNINGS, GUIDELINES AND RECOMMENDATIONS IN THIS MANUAL.
- Adult assembly required.
- Small parts may present choking hazard prior to assembly.
- Do not stand, step or climb on unit.



### CAUTION

- Do not use power tools to assemble your item.
- Power tools may strip or damage parts/product.
- Do not over tighten connectors (screws, bolts, etc.) Overtightening can lead to product damage.
- Be sure to check all packing materials carefully for small parts that may have come loose inside the carton during shipment. If parts are missing, contact THE HOME DEPOT to obtain any missing parts.
- DO NOT USE SUBSTITUTE PARTS.
- This product should only be used on a flat, level surface.
- Assembly requires 2 people; assembly alone may cause injury.

## Warranty

### 3 YEARS WARRANTY

#### WHAT IS COVERED

We guarantee this product to be free of manufacturing defects to the original purchaser for three years.

#### WHAT IS NOT COVERED

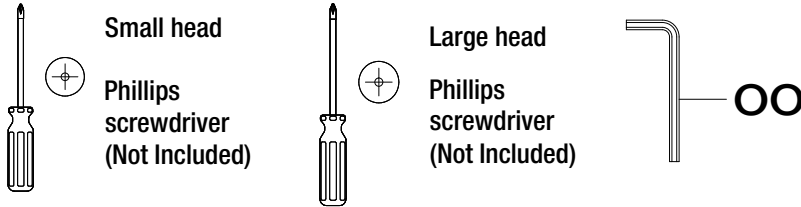
This warranty does not cover commercial use, acts of nature, and abusive use.

# Pre-assembly


## PLANNING ASSEMBLY

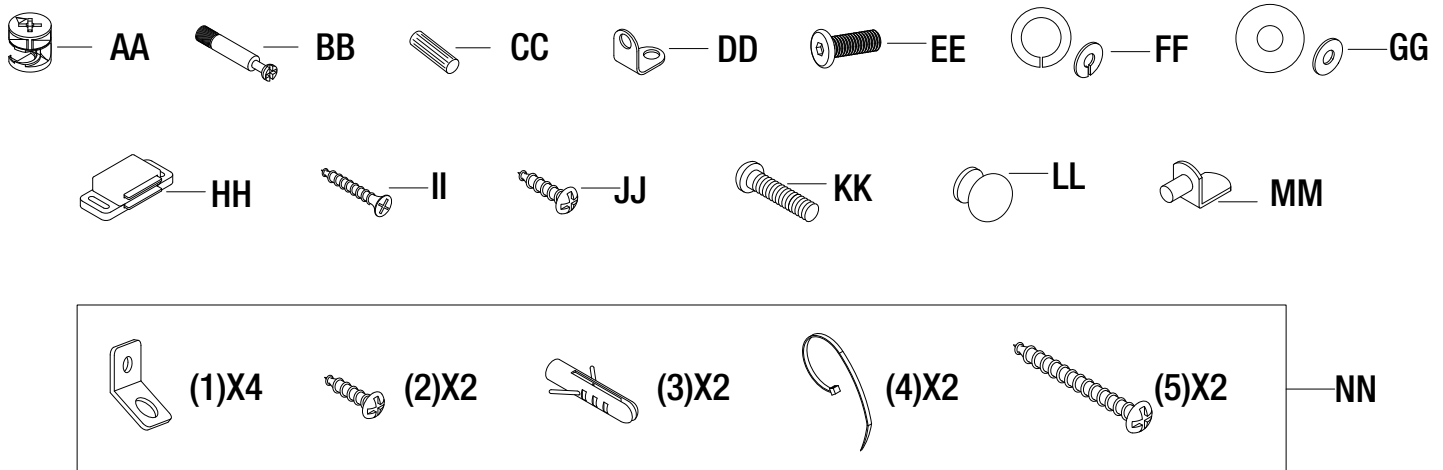
Keep children and pets away from build area. Make sure your area is large enough to unpack, sort and assemble the unit.

### TOOLS REQUIRED



### HARDWARE INCLUDED

 NOTE: Hardware not shown to actual size.

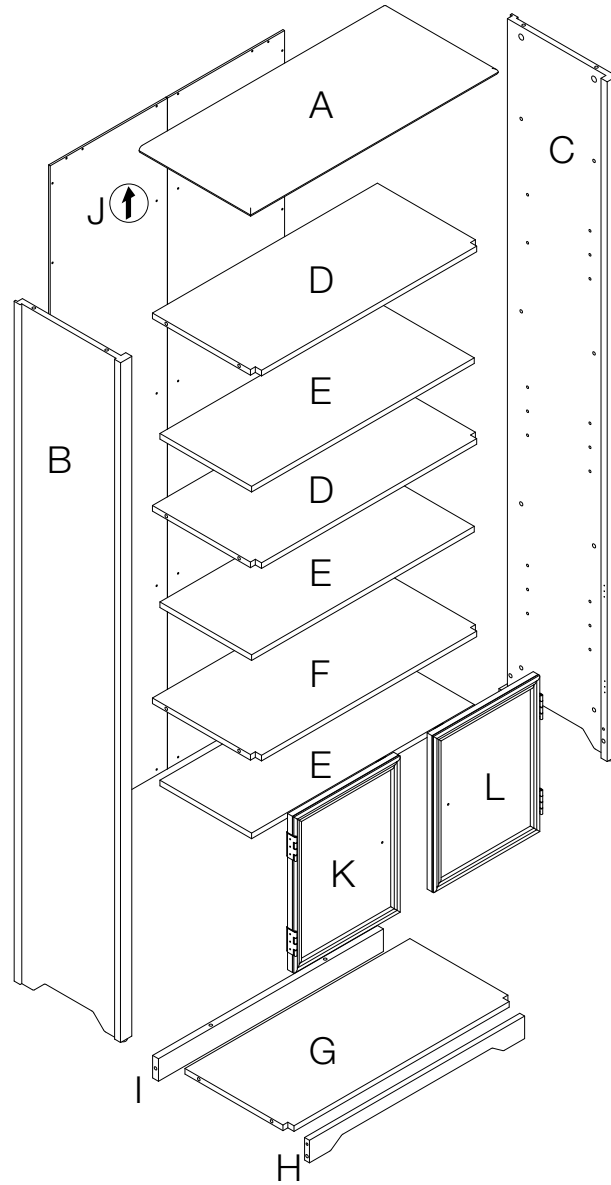


Part	Description	Quantity
AA	Cam lock	26+2
BB	Cam lock bolt	26+2
CC	Wood dowel	2
DD	L shaped bracket	1
EE	Hexagon socket screw	2
FF	Spring washer	2
GG	Flat gasket	2
HH	Magnetic clamp	2

Part	Description	Quantity
II	Flat head screw	16+2
JJ	Cross round head screw	32+2
KK	Cross round head bolt	2
LL	Handle	2
MM	Layer board support	12
NN	Anti-tipping hardware package	1
OO	Spanner	1

# Pre-assembly (continued)

## PACKAGE CONTENTS

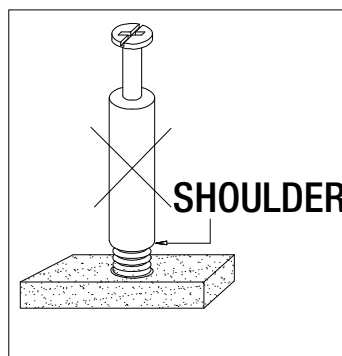
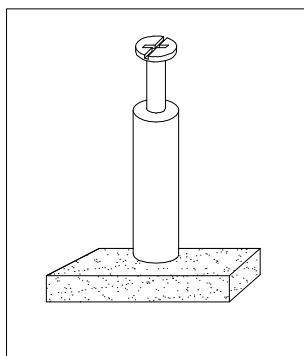


Part	Description	Quantity
A	Top panel	1
B	Left side panel	1
C	Right side panel	1
D	Fixed shelf	2
E	Shelf support	3
F	Fixed shelf	1

Part	Description	Quantity
G	Bottom panel	1
H	Front damper	1
I	Back damper	1
J	Back panel	1
K	Left door panel	1
L	Right door panel	1

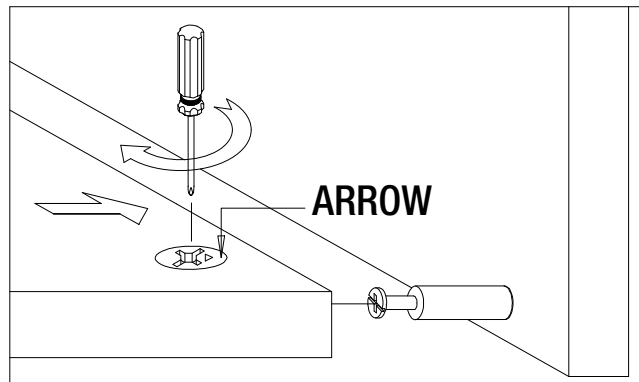
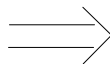
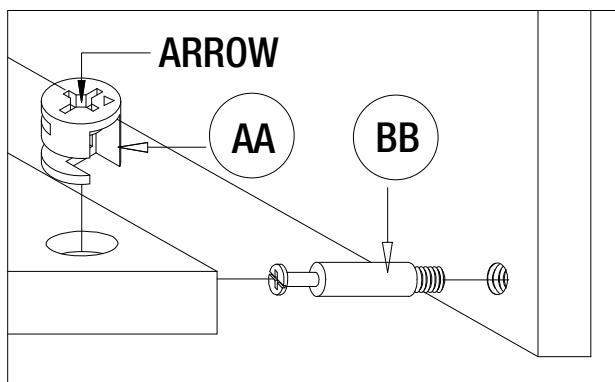
# Notification

**NOTE: UPON OPENING THOROUGHLY CLEAN ALL WOODS SURFACES TO REMOVE DUST AND DIRT THAT MAY HAVE SETTLED ONTO FINISH DURING SHIPMENT. IN ORDER TO PREVENT DAMAGE DURING ASSEMBLY, PLEASE ASSEMBLE THIS ITEM WITH AT LEAST TWO PEOPLE.**



**NOTE: TURN THE CAM-BOLT SCREWS UNTIL THEY ARE TIGHT, THE SHOULDER SHOULD BE AGAINST THE SURFACE OF THE PART.**

## HOW TO USE THE CAM TOOL

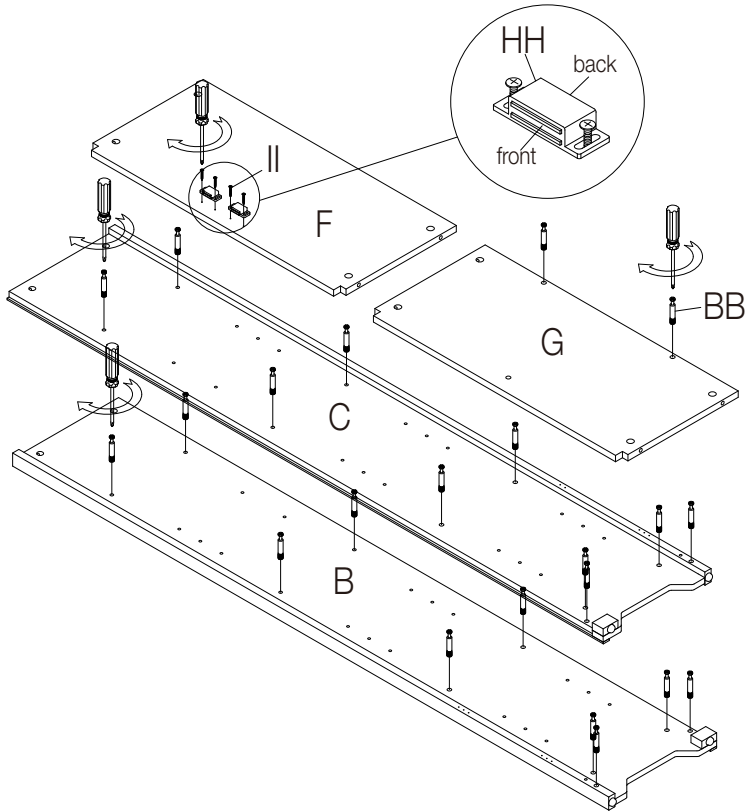


● **NOTE: THE ARROWS ON THE HIDDEN CAM-LOCKS SHOULD POINT TO THE CAM-BOLTS.**

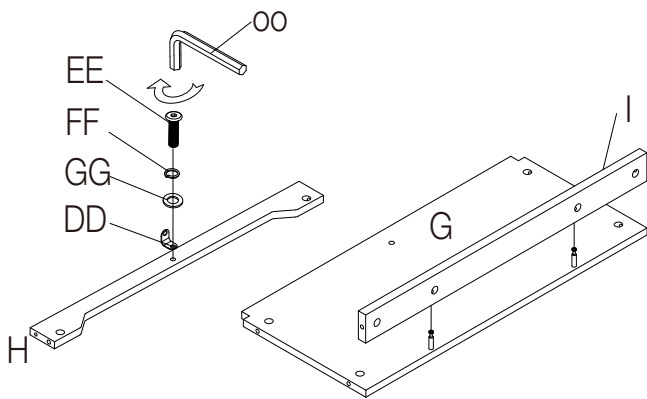
# Assembly

## 1 Assemble side panel

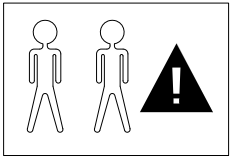
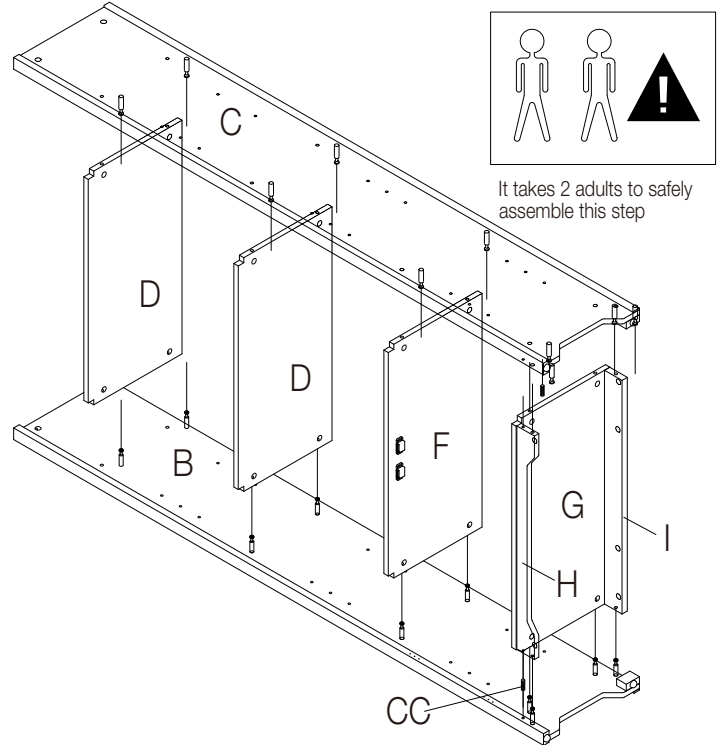
- a) Insert cam lock bolt(BB) to side panels(B/C), bottom panel (G); and install magnetic clamp(HH) on fixed shelf(F)



- b) Assemble L shaped bracket(DD), spring washer(FF), flat gasket (GG) to front damper(H) with hexagon socket screw(EE) ; Connect bottom panel(G) and back damper(I)

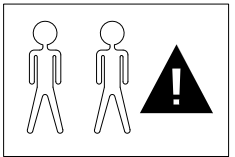


- c) Insert wool dowel(CC) to side panels(B/C)

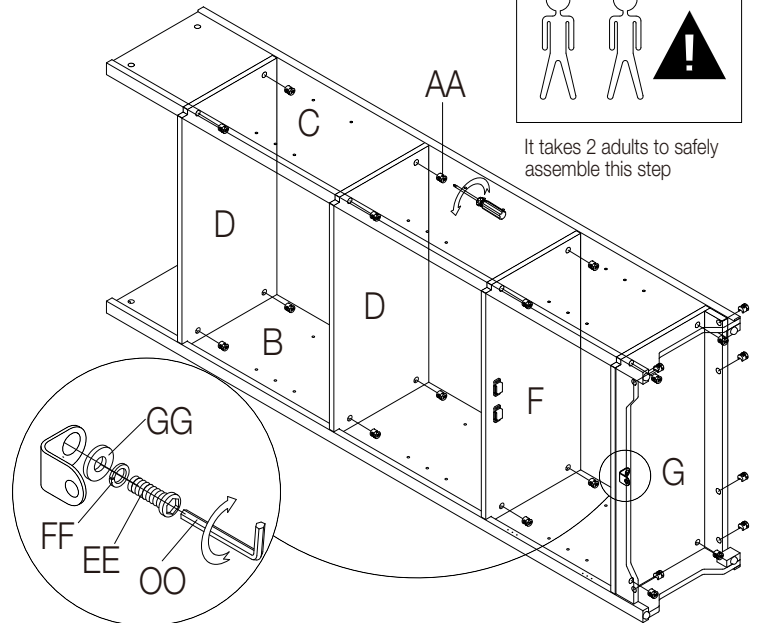


It takes 2 adults to safely assemble this step

- b) Connect side panels(B/C) & back damper(I) with cam lock(AA); Connect front damper(H) & bottom panel (G) with spring washer(FF), flat gasket (GG), hexagon socket screw(EE)



It takes 2 adults to safely assemble this step

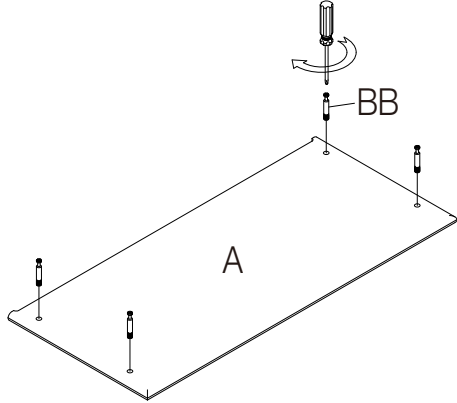


Cam lock	Cam lock bolt	Wool dowel	L shaped bracket	Hexagon socket screw	Spring washer	Flat gasket	Magnetic clamp	Flat head screw	Spanner	Large head	Small head
(AA)x22	(BB)x22	(CC)x2	(DD) x 1	(EE) x 2	(FF) x 2	(GG) x 2	(HH)x2	(II)x4	(OOx 1)		

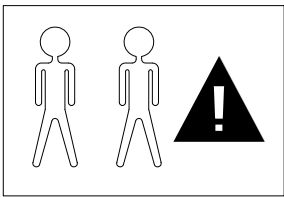
# Assembly

## 2 Assemble top panel

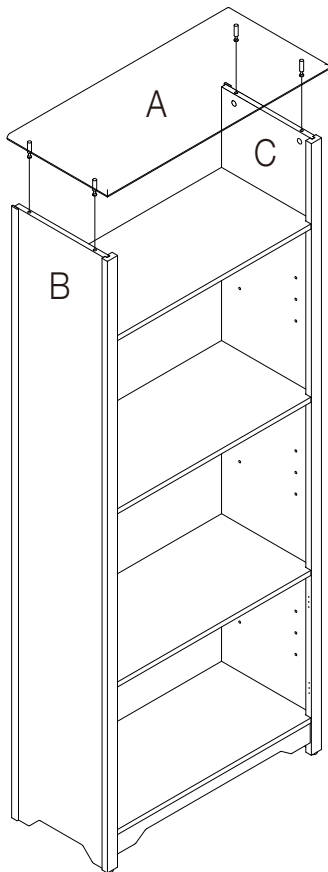
□ a) Insert cam lock bolt(BB) to top panel(A)



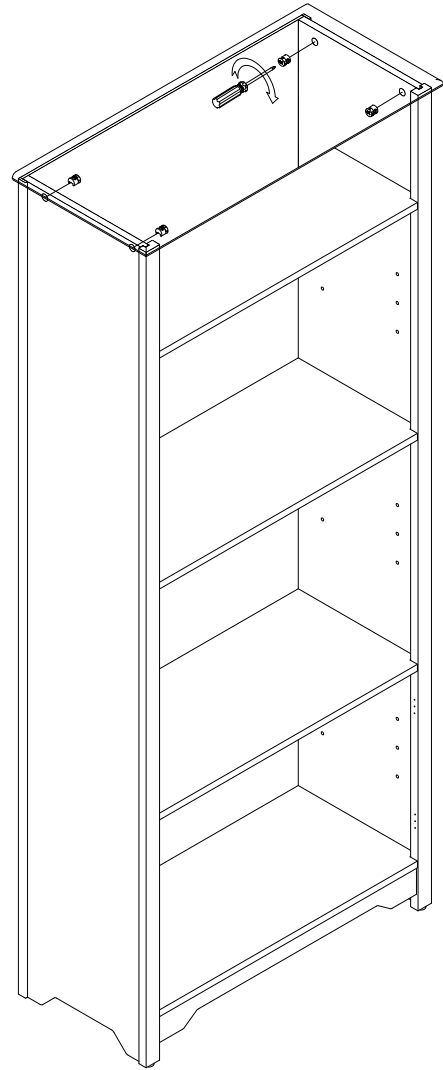
□ b) Connect to top panel(A)



It takes 2 adults to safely assemble this step



□ c) Insert cam lock(AA) to top panel(A)



Cam lock

(AA)x4

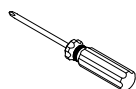


Cam lock bolt

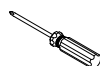
(BB)x4



Large head



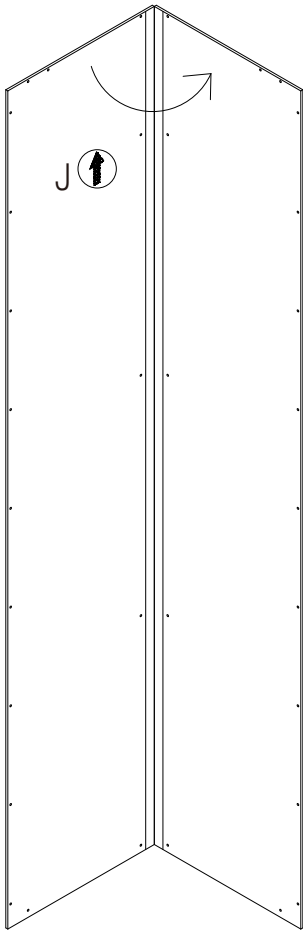
Small head



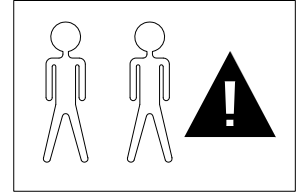
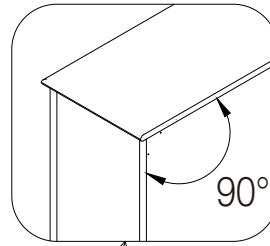
# Assembly

## 3 Assemble back panel

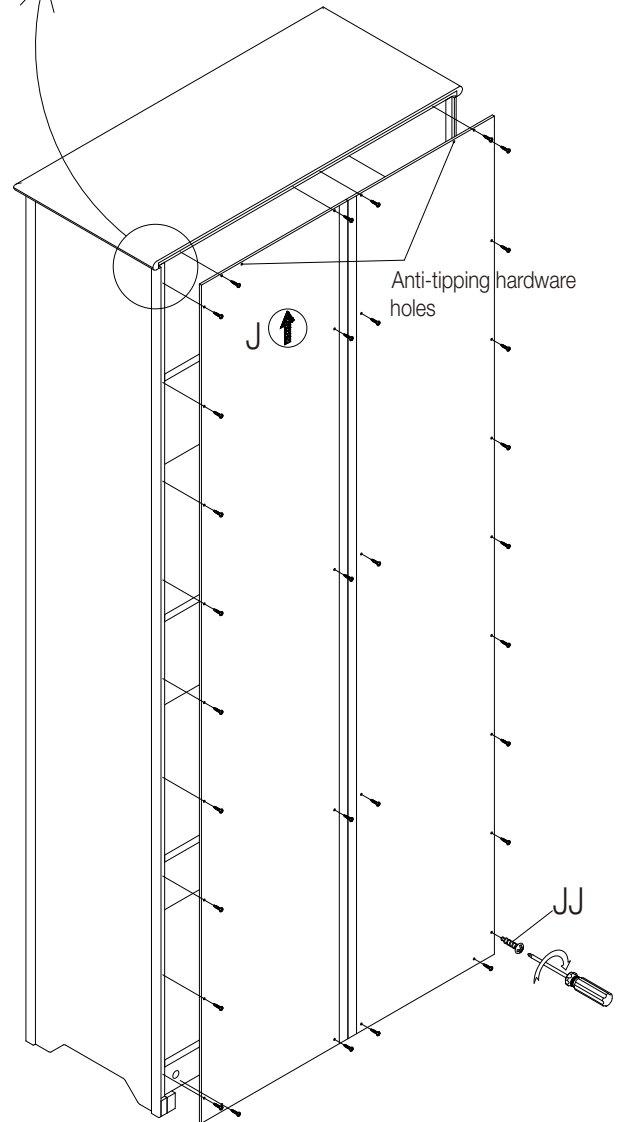
□ a) Open back panel(J)



□ b) Centralizer the back panel(J) and then lock with round head screw(JJ)



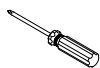
It takes 2 adults to safely assemble this step



Round head screw

Small head

(JJ)x32



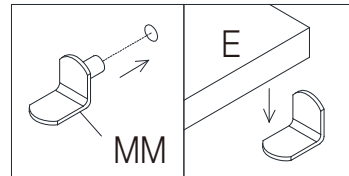
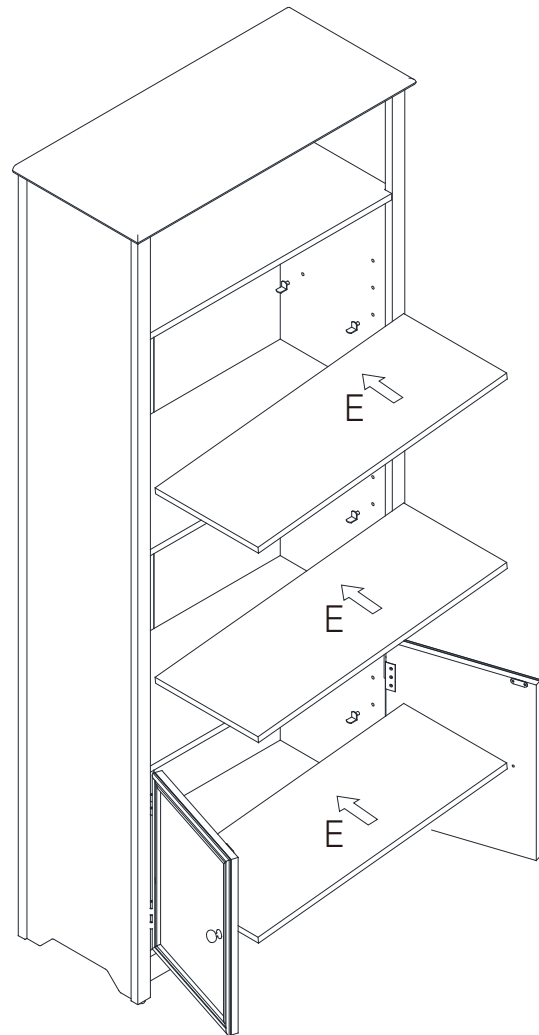
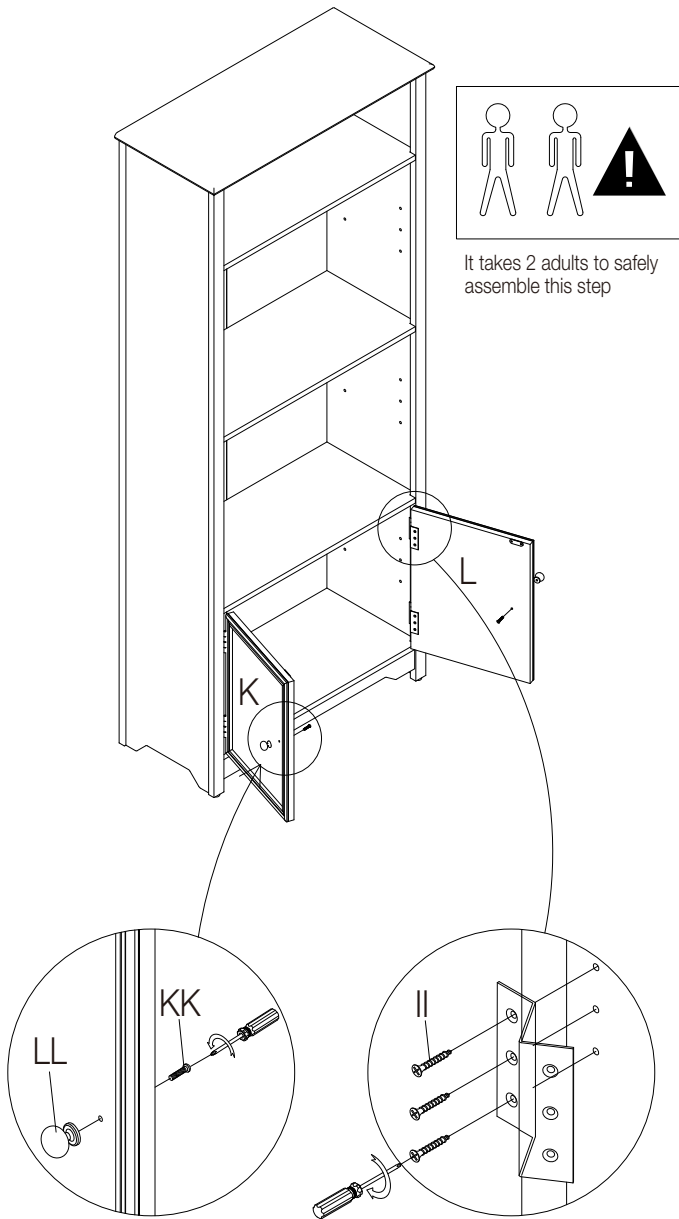


# Assembly

## 4 Assemble door panels/shelf

□ a) Assemble door panel(L/K) and handle(LL)

□ b) Insert layer board support(MM) to side panel(B/C), then put shelf(E) inside



Flat head screw

Cross round head bolt

Handle

Layer board support

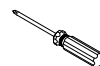
Small head

(II)x12

(KK)x2

(LL)x2

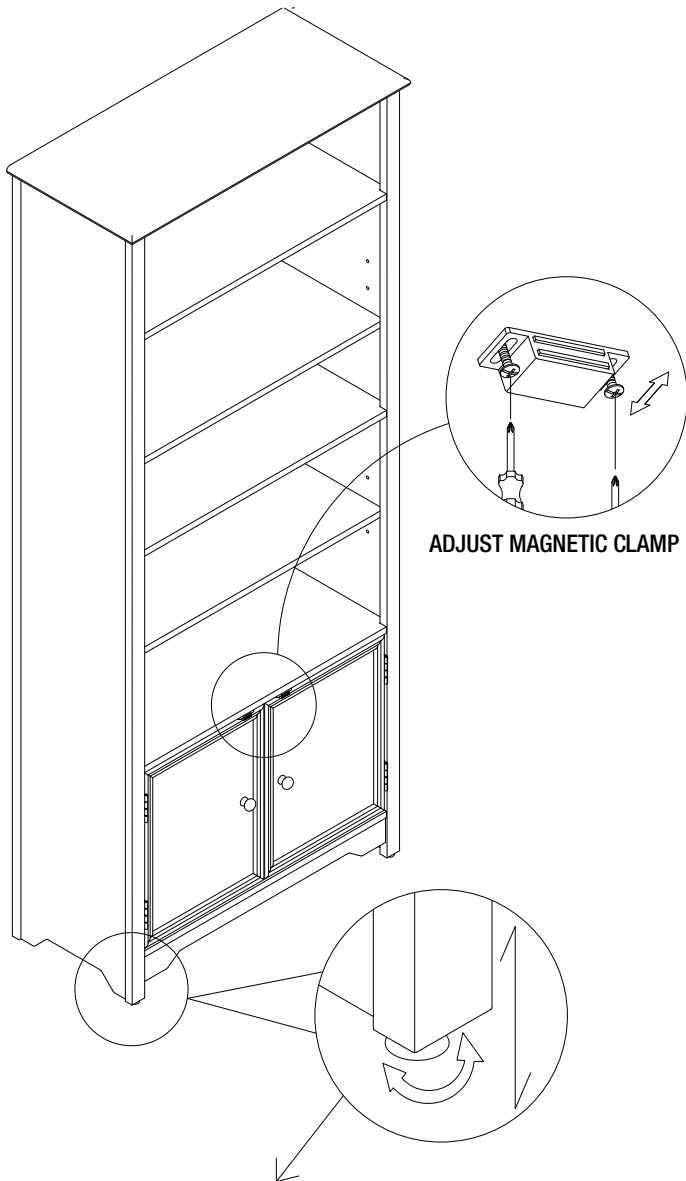
(MM)x12



# Assembly

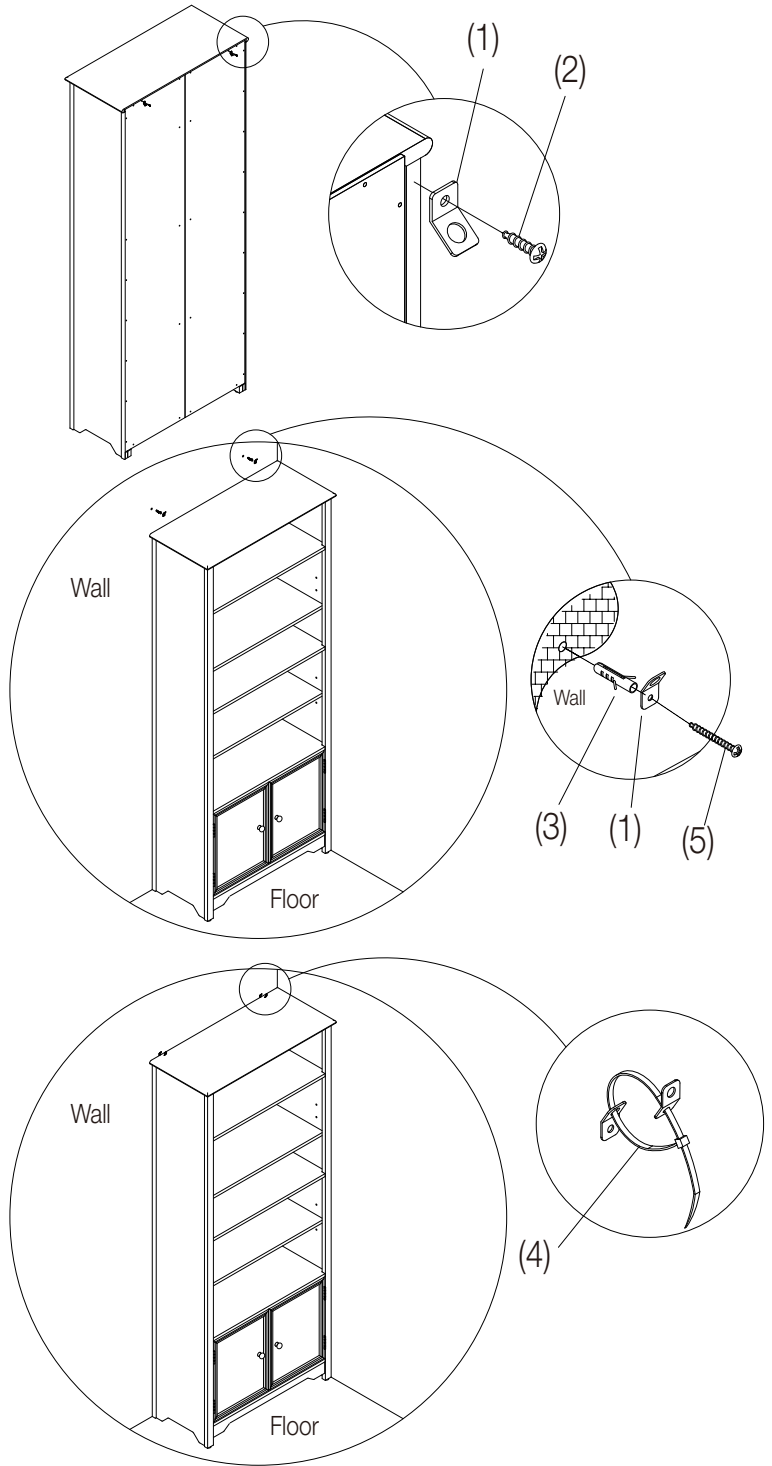
## 5 Adjust magnetic clamp/foot leveler/ Assemble anti-tipping hardware package (NN)



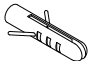


- a) Adjust magnetic clamp(HH) and adjustable foot leveler to the appropriate position



IF THE GROUND IS NOT EVEN THE SIDEBOARD WILL BE UNSTABLE OR THE DOORS UNSYMMETRICAL, YOU CAN ADJUST THE FOOT LEVELER UNDER THE LEG. TURN LEFT TO TIGHTEN, TURN RIGHT TO LOOSEN.

- b) Lock rectangle metal plate (1) with round head screw (2) on back panel, and lock plastic anchor(3) and rectangle metal plate (1) with round head screw(5) on the wall



Rectangle metal plate (1)X4	0.63 in.Round head screw (2)X2	Plastic anchor (3)X2	Plastic band (4)X2	1.97 in.Round head screw (5)X2	Small head —NN
					

## Maintenance

- If your furniture is stained or otherwise damaged during use, contact a professional for repairs.

## Care and Cleaning

- Use a soft, clean cloth that will not scratch the surface when dusting.
- Use of furniture polishes is not necessary. Should you choose to use polishes, test the polish in an inconspicuous area before using over the entire surface of the product.
- Using solvents of any kind on your furniture may damage the finish.
- Never use water to clean your furniture as it may cause damage to the finish.
- Always use coasters under beverage glasses and flowerpots.
- Liquid spills should be removed immediately. Using a soft, clean cloth, blot the spill gently avoid rubbing.
- Always use protective pads under hot dishes and plates. Heat can cause chemical changes that may create spotting within the furniture finish.
- Use care as stains or marks from crayons or ink markers will be difficult to remove.
- Be sure to immediately clean red wine or soda stains within 30 minutes or the surface will stain.

## Troubleshooting

PROBLEMS	SOLUTIONS
Not all of the product's legs touch the floor	Make sure adjustable center feet levelers are adjusted properly. The levelers are pre-assembled on the bottom of the legs
	The product is KD construction. You may need to loosen the bolts and place the product on a flat surface. Ensure that the legs all touch the flat surface and then re-tighten the bolts.
	Loosen all the bolts and apply some weight to the product to get all the feet to touch the floor. Then re-tighten the bolts in that position.
Panel cannot be assembled	Make sure panel is on right direction.
Door cannot be closed or without magnetic function	Adjust the magnetic clamp, make sure it is assembled on appropriate position.
Door is not flat	Adjust the hinge, make sure it is assembled on appropriate position.

**HOME**  
**DECORATORS**  
COLLECTION®

Questions, problems, missing parts?  
Before returning to the store, call Home Decorators Collection Customer Service.  
8 a.m. – 7 p.m., EST, Monday – Friday, 9 a.m. – 6 p.m., EST, Saturday

**1-800-986-3460**

**[HOMEDEPOT.COM/HOMEDECORATORS](http://HOMEDEPOT.COM/HOMEDECORATORS)**

Retain this manual for future use.