

## ENGLISH

### TO INSTALL:

**WARNING:** TO BE INSTALLED AND/OR USED IN ACCORDANCE WITH APPROPRIATE ELECTRICAL CODES AND REGULATIONS.

**WARNING:** IF YOU ARE NOT SURE ABOUT ANY PART OF THESE INSTRUCTIONS, CONSULT AN ELECTRICIAN

**CAUTION:** USE THIS DEVICE WITH COPPER OR COPPER CLAD WIRE ONLY.

1. **WARNING:** TO AVOID FIRE, SHOCK, OR DEATH; TURN OFF POWER AT CIRCUIT BREAKER OR FUSE AND TEST THAT THE POWER IS OFF BEFORE WIRING!
2. Remove insulation per strip gauge on device [about 5/8" (1.6 cm)].
3. Connect wires per WIRING DIAGRAM as follows:

#### To Side Wire:

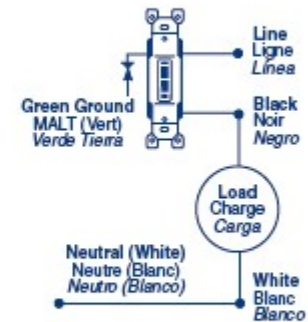
Loop wires clockwise 3/4 turn around terminal screws. GREEN or BARE (Ground) wire to GREEN screw, BLACK (Hot) wire to any terminal screw, other BLACK wire to remaining terminal screw. Firmly tighten screws over wire loops. Terminal screws accept up to #12 AWG copper or copper clad wire.

#### To Quickwire™:

Insert straight #14 AWG solid copper or copper clad wires into round Quickwire™ holes. Quickwire™ terminals accept #14 AWG solid copper or copper clad wires ONLY! For circuits with #12 AWG solid copper or copper clad wires, use terminal screws instead. To replace or rewire after Quickwiring, gently press the tip of a small screwdriver in the release slot and back the wire out gradually.

4. Mount device using long mounting screws. Attach wallplate (not included).
5. Restore power at circuit breaker or fuse. Installation is complete.

WIRING DIAGRAM  
SCHEMA DE CÂBLAGE  
DIAGRAMA DE CABLEADO



STRIP GAGE  
GABARIT DÉNUDAGE  
MEDIDA DE PELADO

5/8" (1.6 cm)  
1.6 cm (0.625 po)  
1.6 cm (5/8")