

Item # : BRMOR4DDR

Assembly Instructions



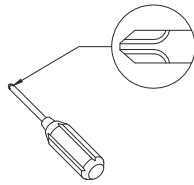
Walker
Edison®

Please visit our website for the most current instructions, assembly tips, report damage, or request parts. www.walkerredison.com

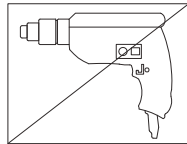
Revised 04/2020

General Assembly Guidelines

- I. Ensure that all parts and hardware are available before beginning assembly.
- II. Follow each step carefully to ensure the proper assembly of this product.
- III. Two people are recommended for ease in the assembly of this product.
- IV. The three main types of hardware used to assemble this product are wood dowels, screws and bolts.
- V. A Phillips head screwdriver is required for the assembly of this product.



- V I. Power tools should not be used to assemble this product.

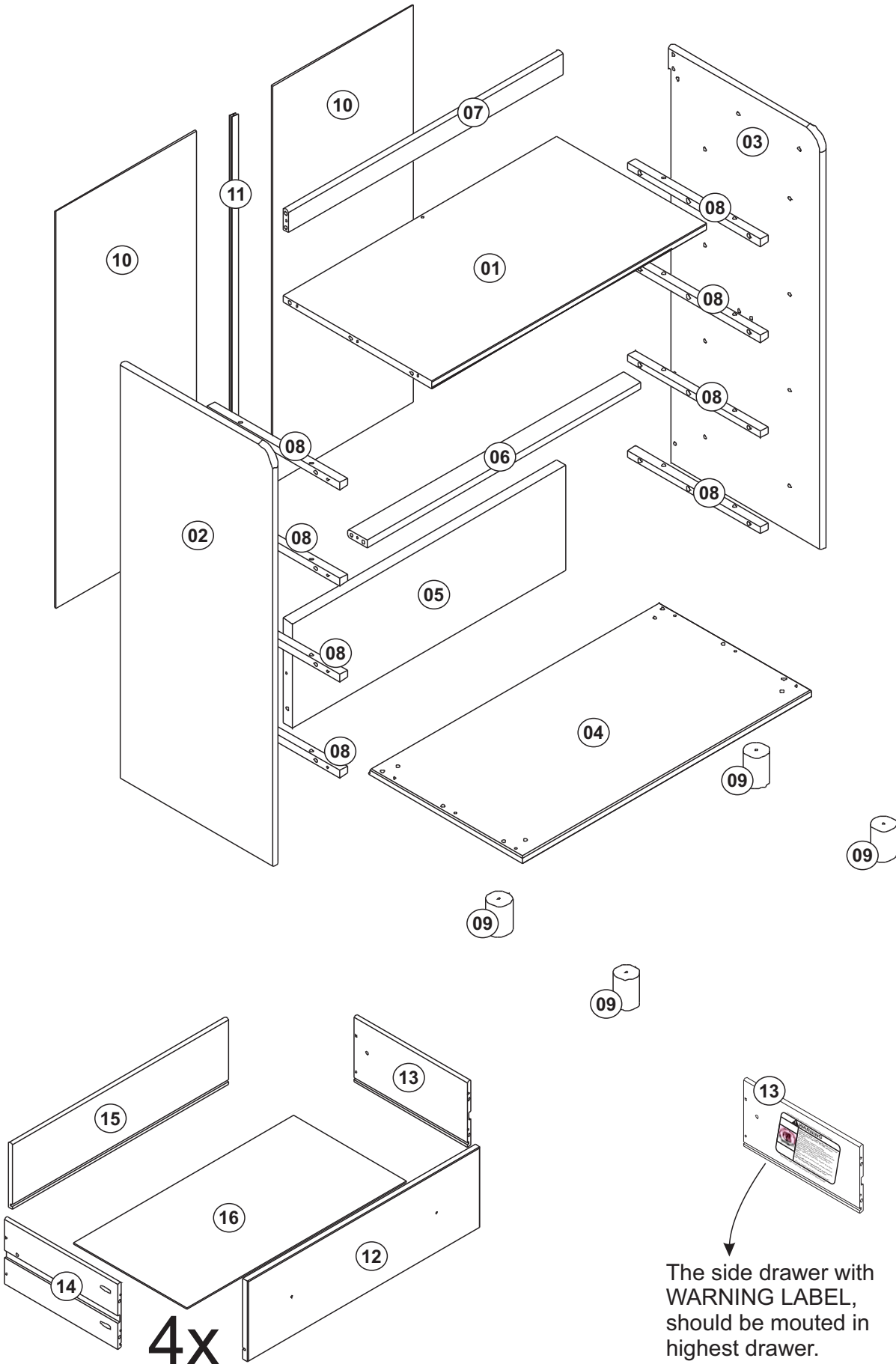


VII. Maintenance Guide

To maintain long term performance and easy gliding of your solid wood drawers, we recommend applying wax to the wooden guide rails.




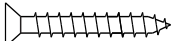

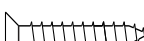


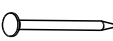
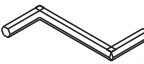
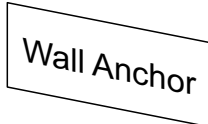
1. Bee's wax is recommended or Paraffin wax from a standard candle can be used.
2. Apply the wax by rubbing it on the wooden guide rails where there is wood-on-wood contact when opening and closing the drawer. (Wax should be room temperature, do not melt the wax onto the wood)
3. Wax should be applied every few months for the first year and then only when needed after that to keep the drawers sliding smoothly.

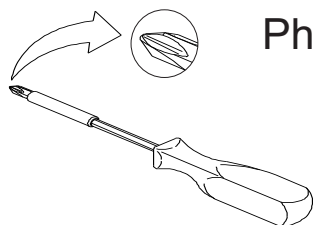
Parts List



This drawer side needs to be assembled in the highest drawer

Hardware List

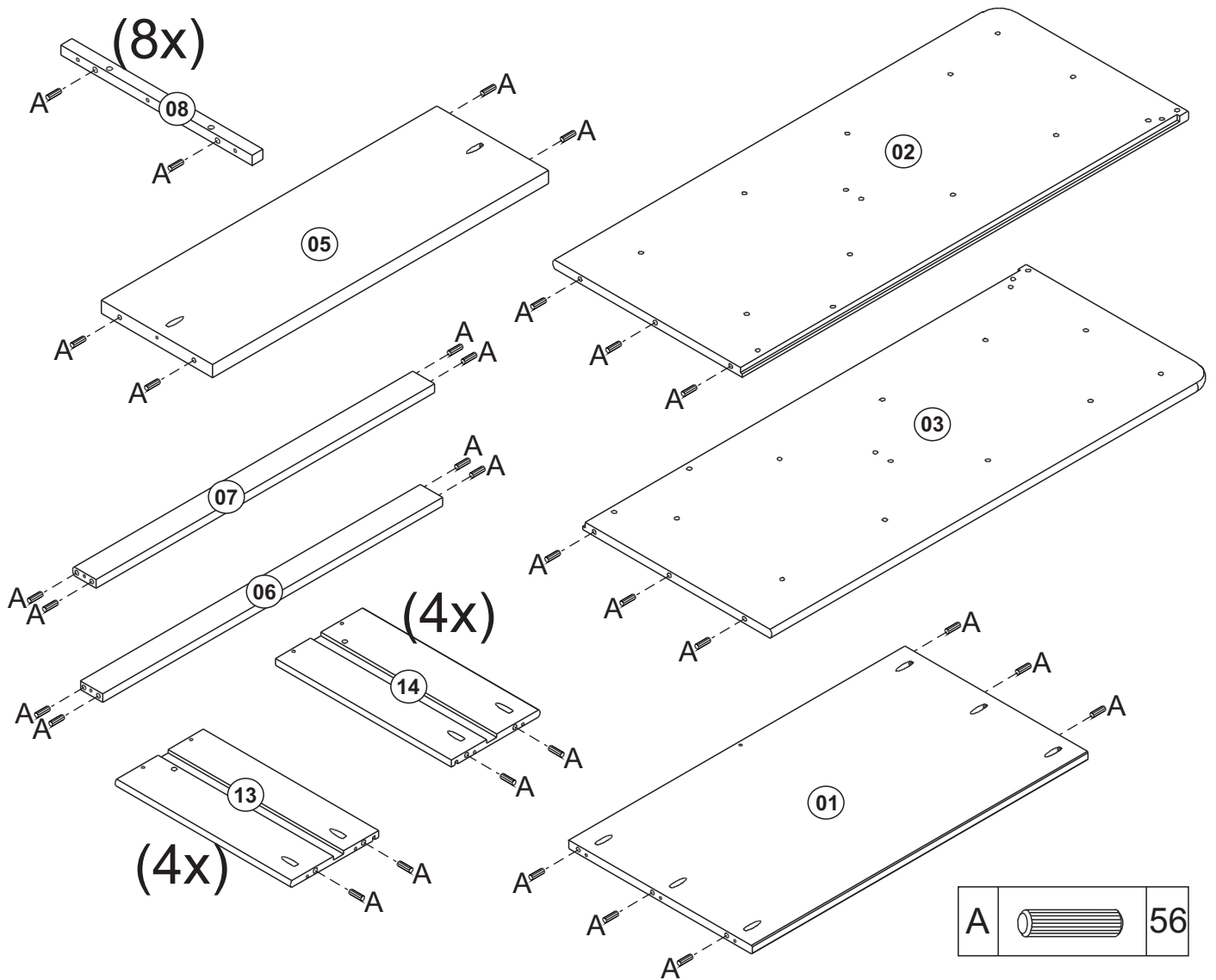
A		Ø8,0 x 25mm	Wood Dowel	72x
B		Ø4,0 x 25mm	Screw	24x
C		Ø3,5 x 30mm	Screw	28x
D		Ø4,0 x 40mm	Screw	7x
E		Ø7,0 x 50mm	Screw	4x
F		Ø3,0 x 30mm	Screw	16x
G		ØM4 x 22mm	Screw	8x
H		30 x 15mm	Puller	8x
I		Ø8 x 8mm	Nail	26x
J		Ø 4mm		1x
Y		Wall Anchor	Wall Anchor	1x



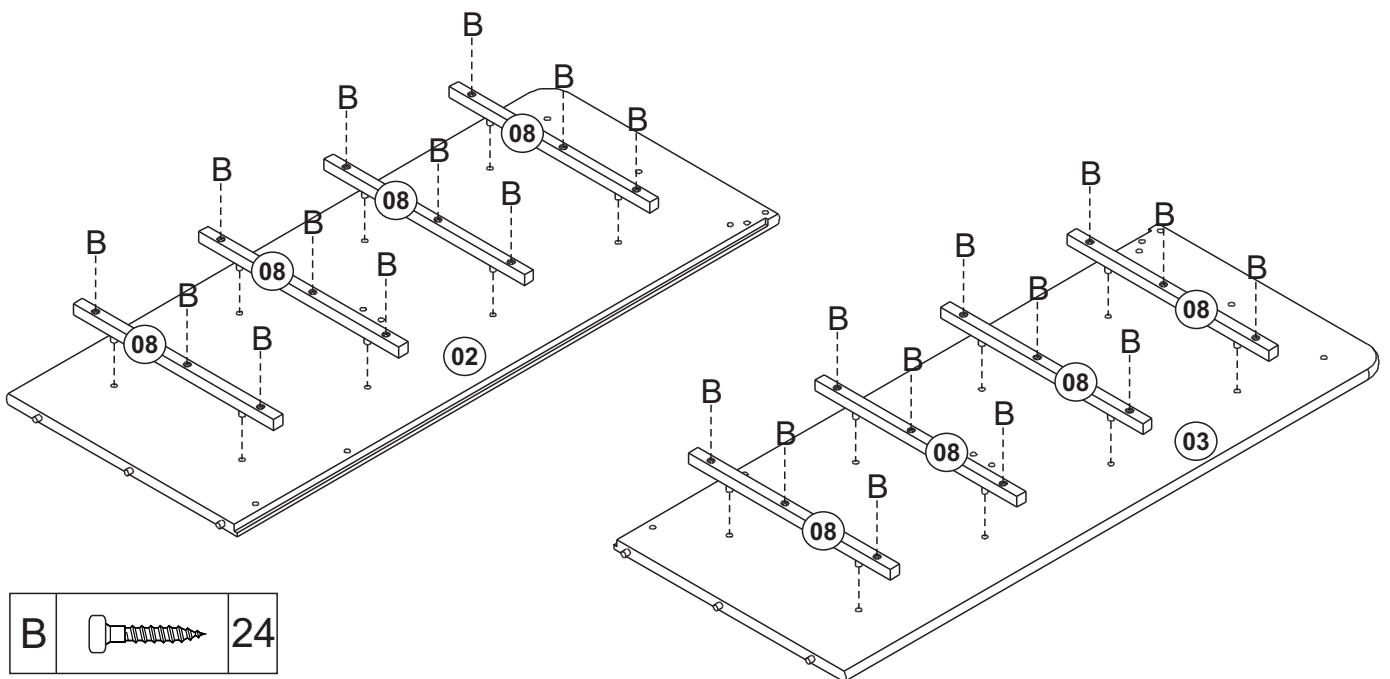
Philips head screwdriver required for assembly
(not included)

The hardware quantities listed above are required for proper assembly
Some extra hardware may also have been included

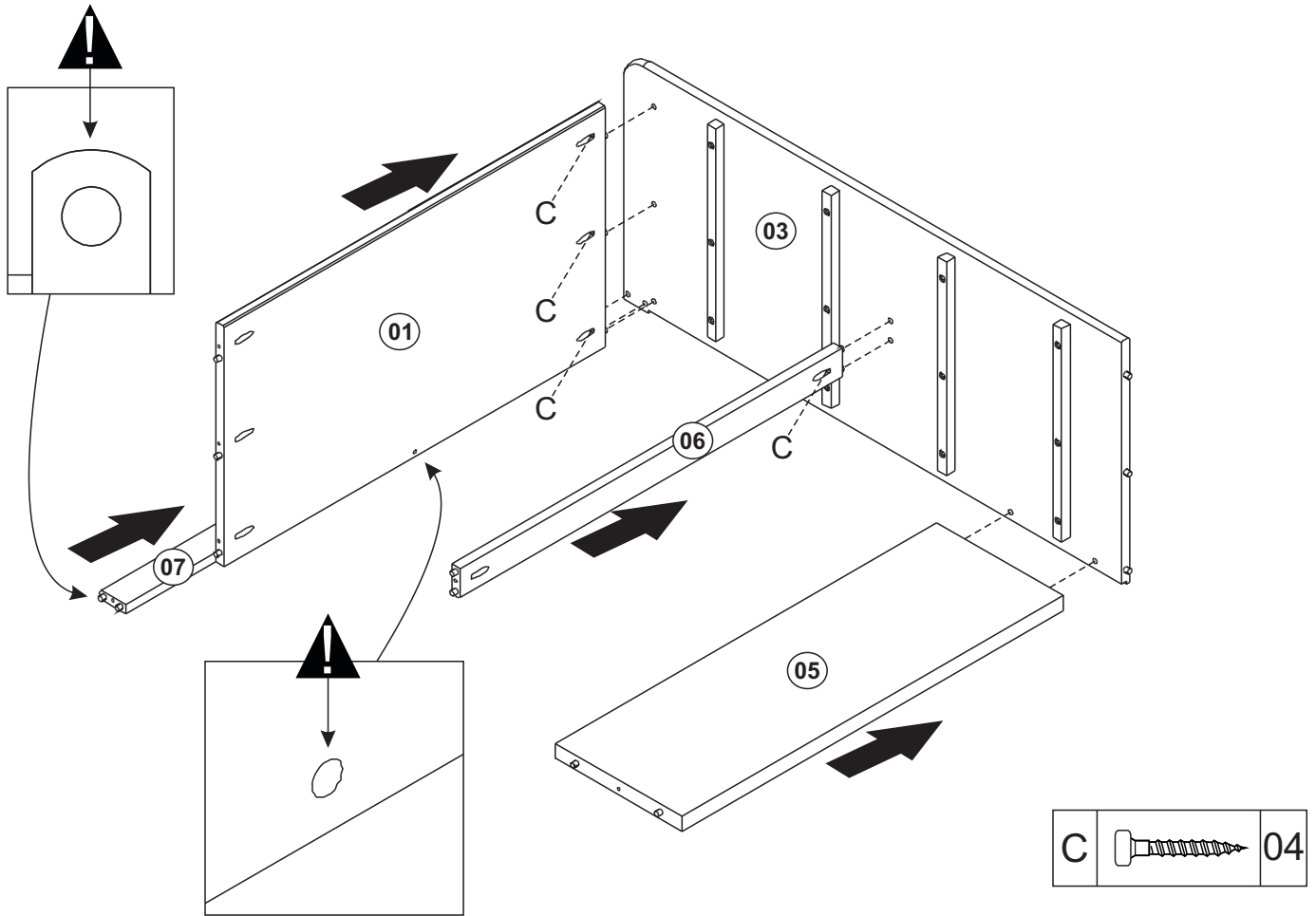
Step 1 Insert wood dowel A(x56) into parts (01),(02),(03),(05),(06),(07),(08),(13),(14).



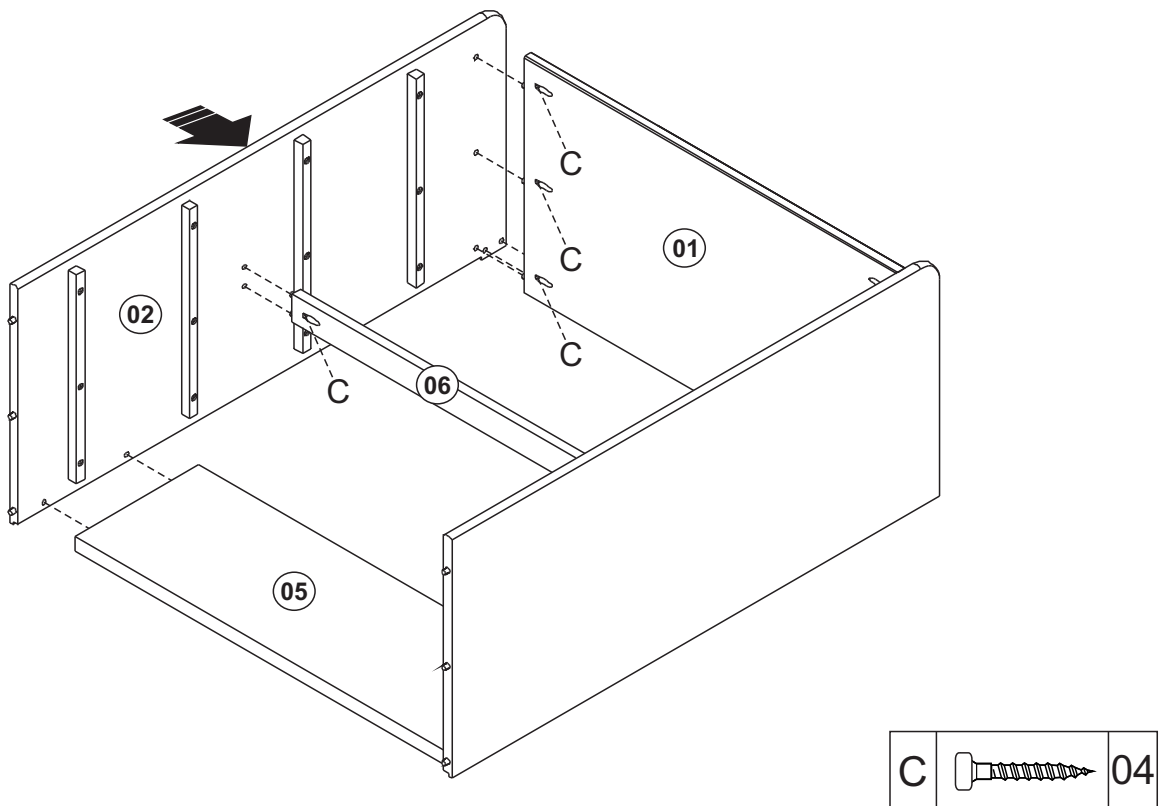
Step 2 Insert screw B (x24) into parts (02),(03).



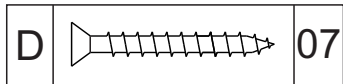
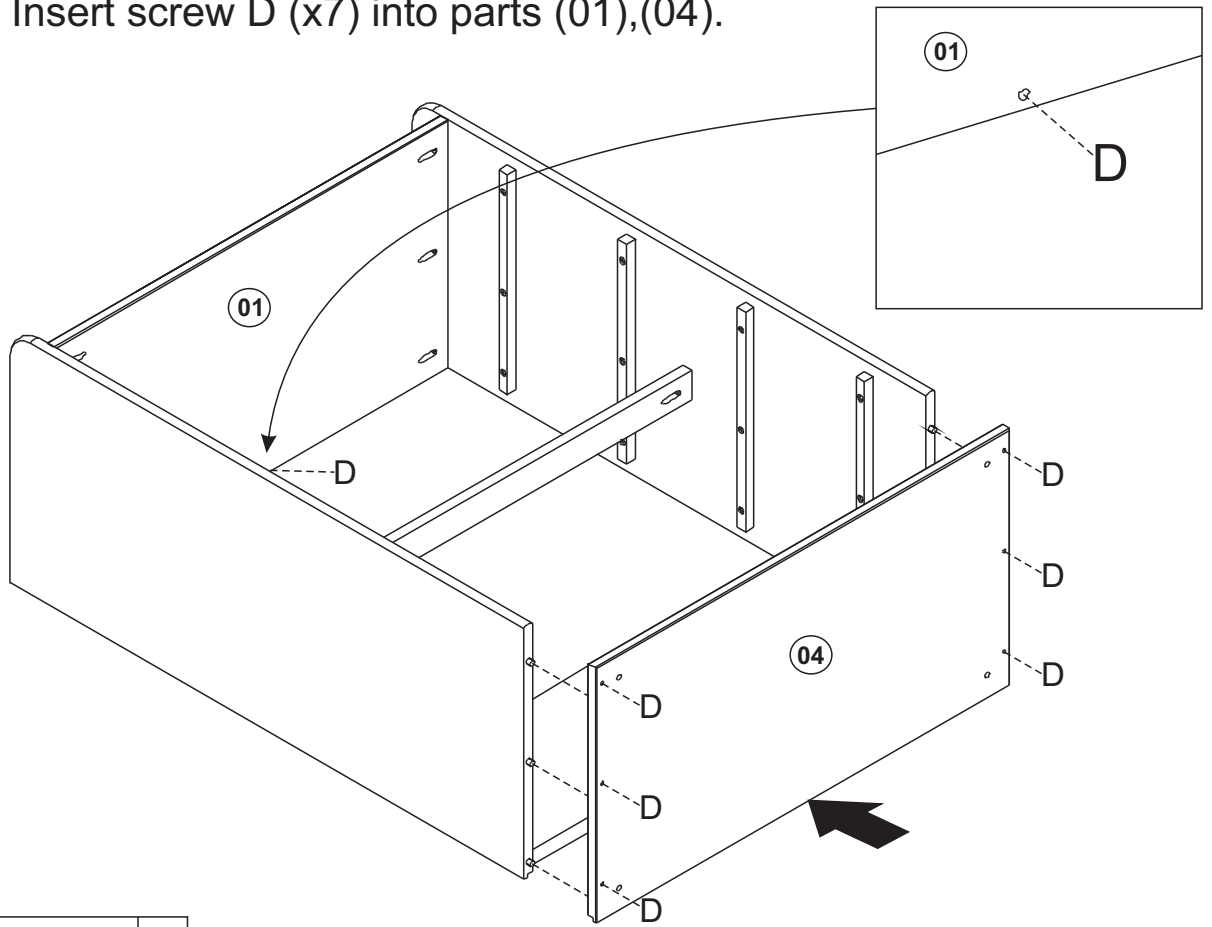
Step 3 Insert screw C (x4) into parts (01),(06).



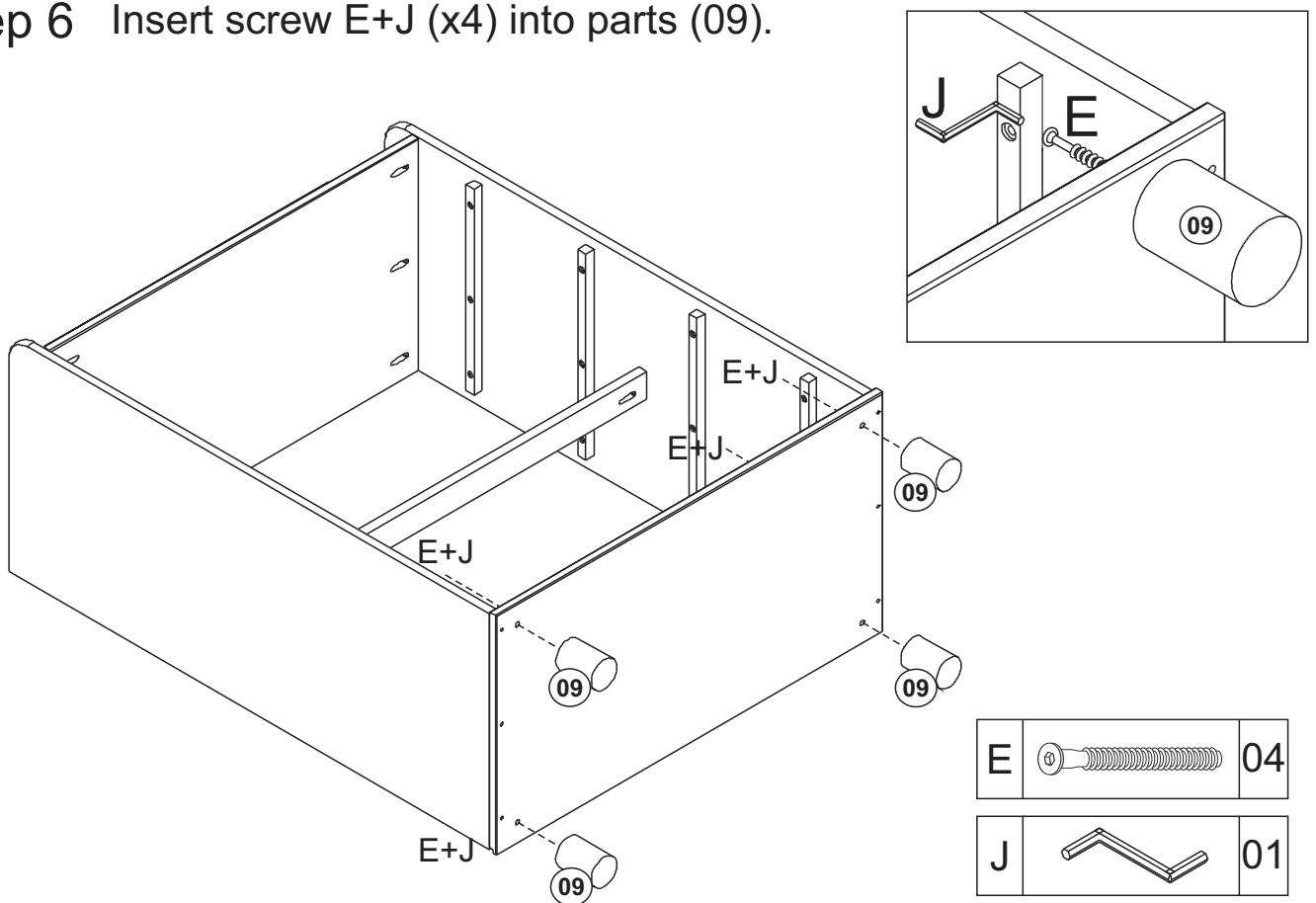
Step 4 Insert screw C (x4) into parts (01),(06).



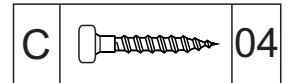
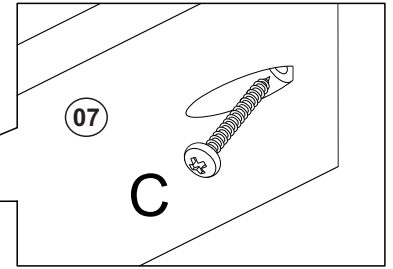
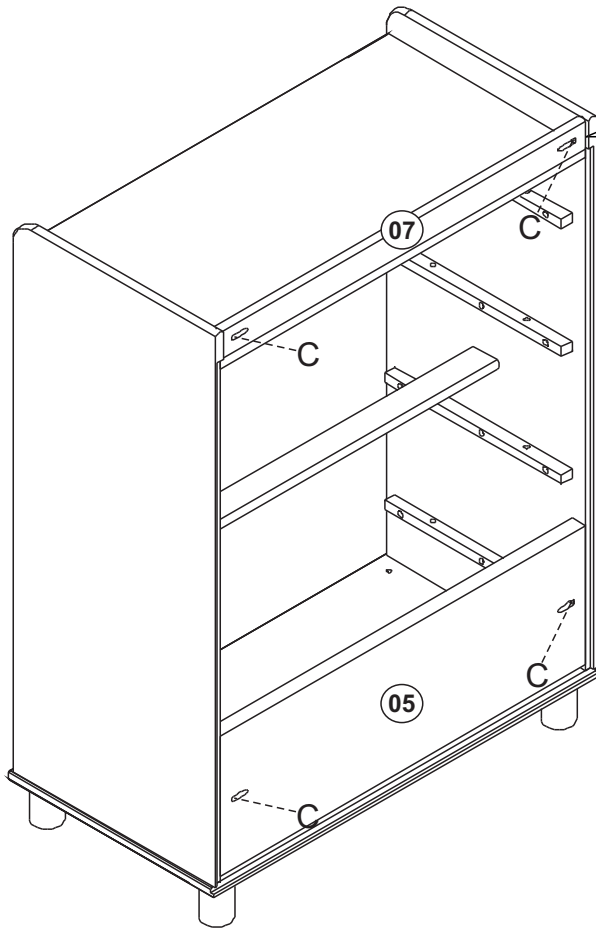
Step 5 Insert screw D (x7) into parts (01),(04).



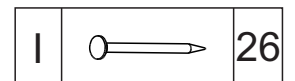
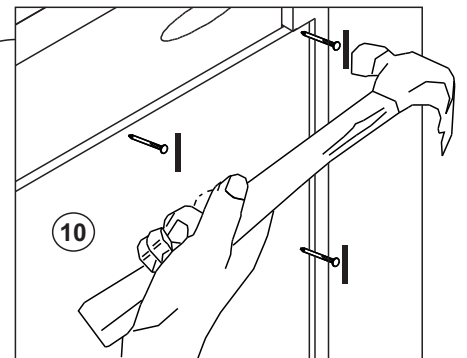
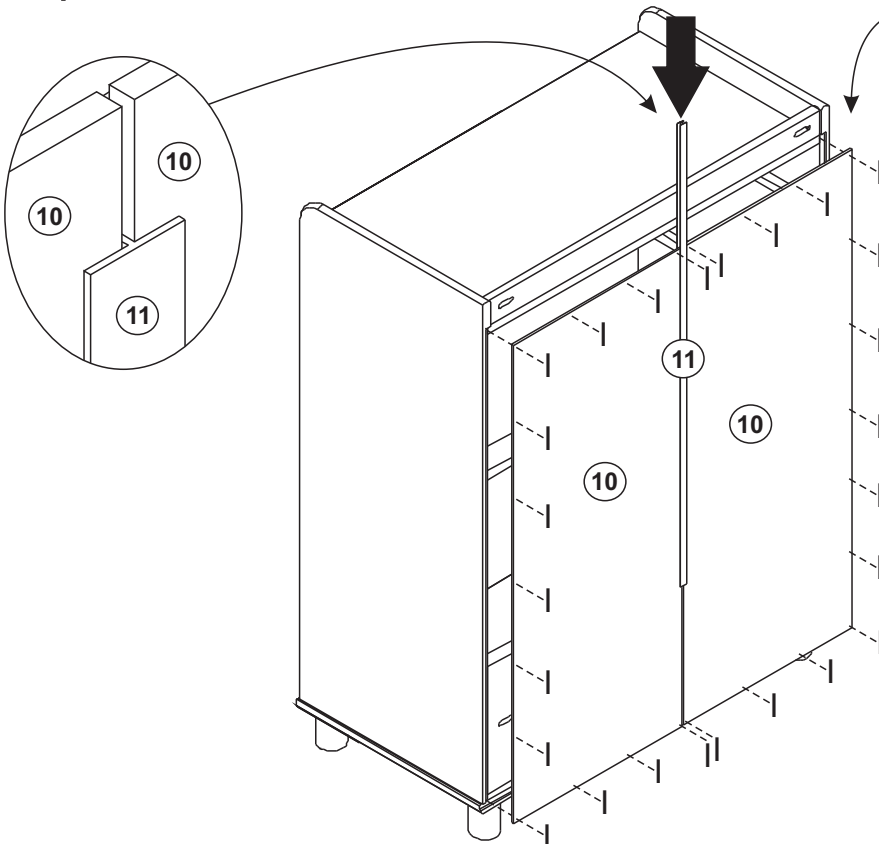
Step 6 Insert screw E+J (x4) into parts (09).



Step 7 Insert screw C (x4) into parts (05),(07).



Step 8 Insert Nail I (x26) into parts (10),(11).

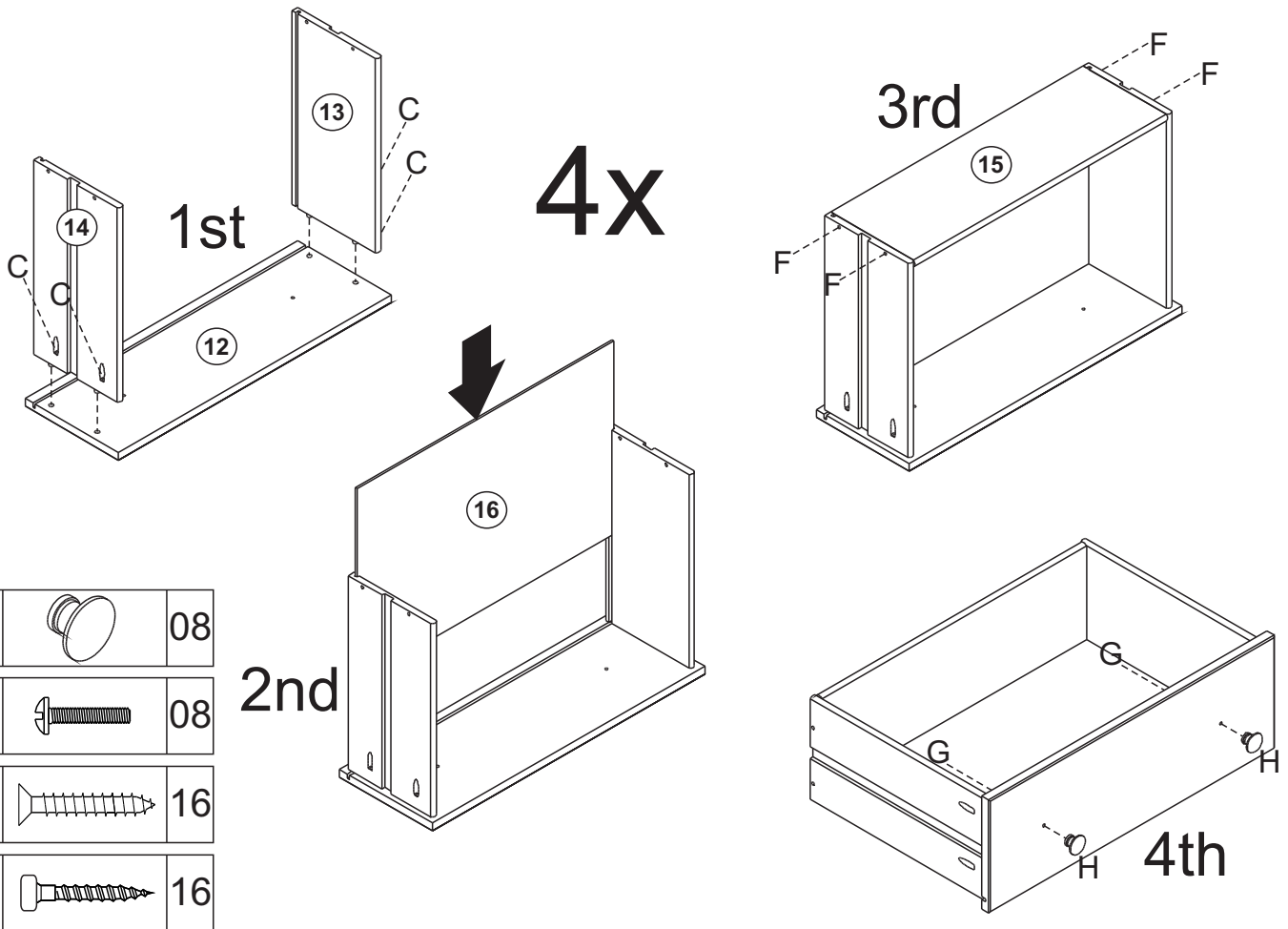




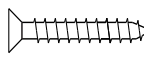

Step 9

Insert screw C (x16) into parts (13),(14).

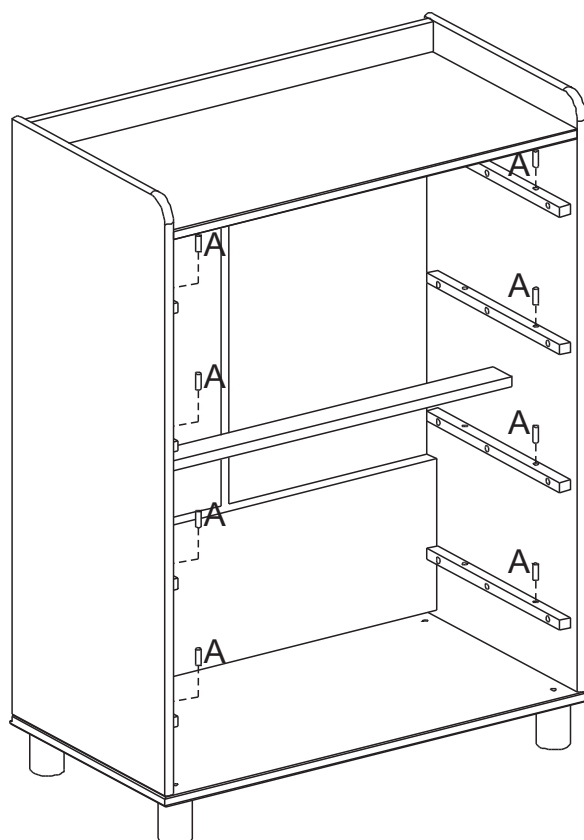
Insert screw F (x16) into parts (13),(14),(15).

Use screw G (x8) to attach Puller H (x8) to the drawers.




H		08
G		08
F		16
C		16

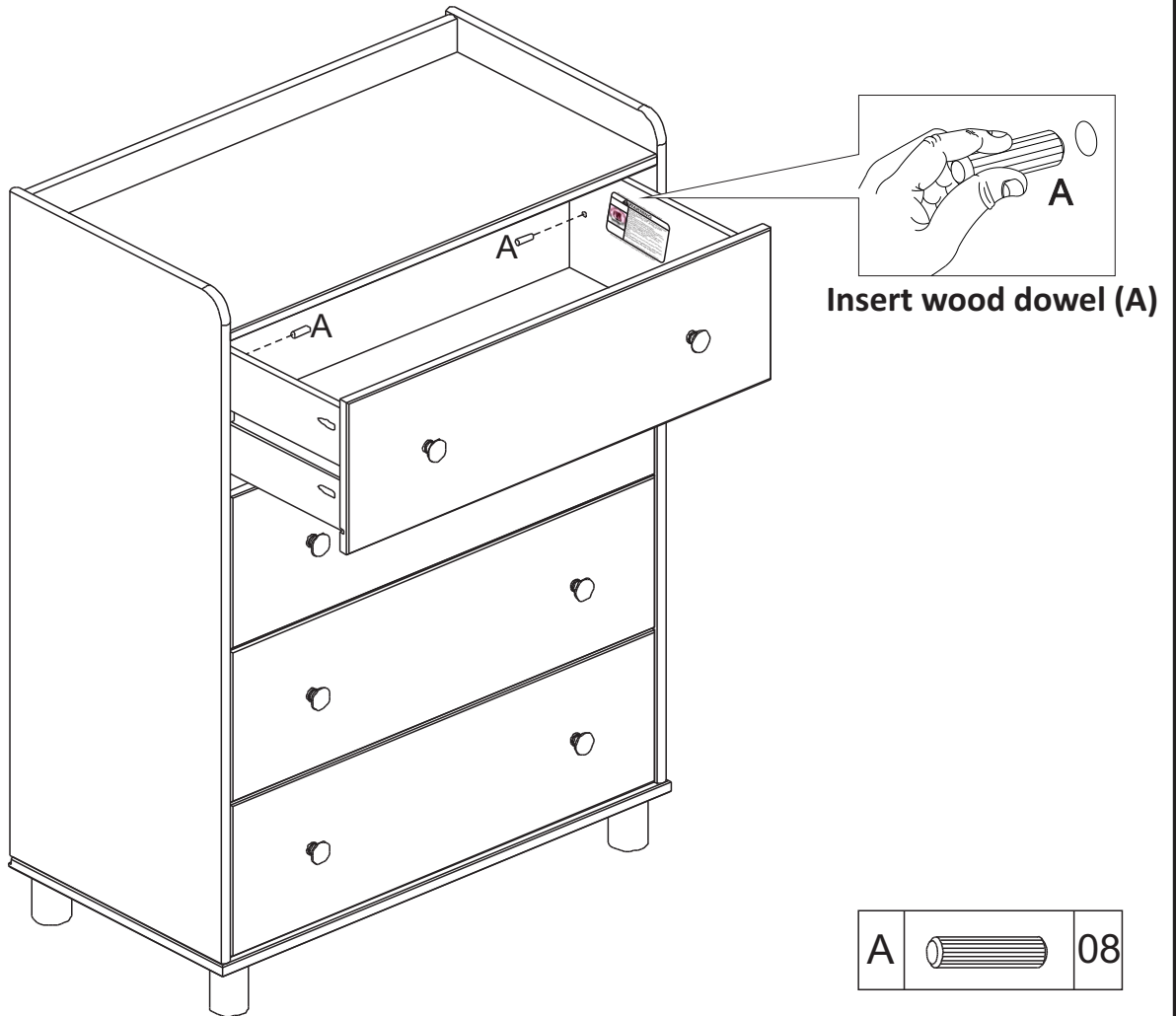
Step 10



Insert wood dowel (A) into part (8) (Runner small).

A		08
---	---	----

Step 11



Assembly Complete!

Maintenance Guide

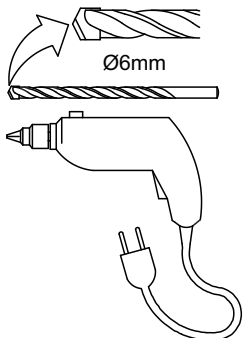
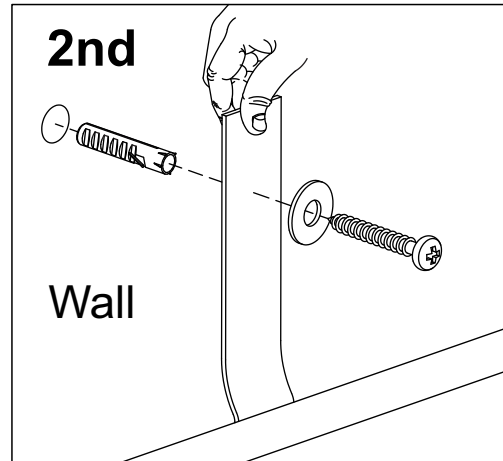
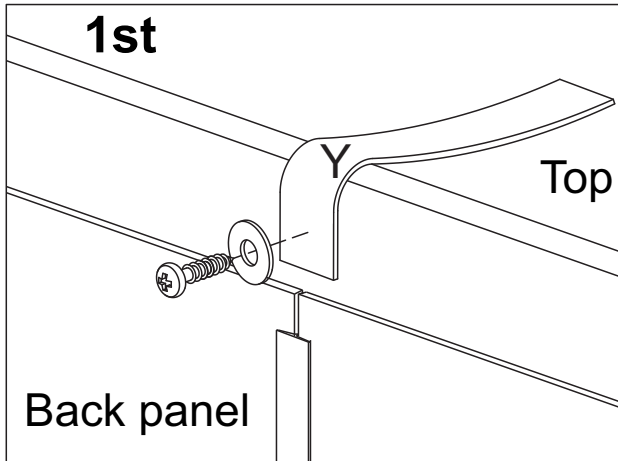
To maintain long term performance and easy gliding of your solid wood drawers, we recommend applying wax to the wooden guide rails.

1. Bee's wax is recommended or Paraffin wax from a standard candle can be used.
2. Apply the wax by rubbing it on the wooden guide rails where there is wood-on-wood contact when opening and closing the drawer. (Wax should be room temperature, do not melt the wax onto the wood)
3. Wax should be applied every few months for the first year and then only when needed after that to keep the drawers sliding smoothly.

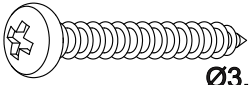
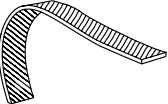


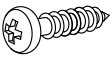
WARNING

Serious or fatal injuries can occur from furniture tipping over. To prevent the furniture from tipping over we recommend that it is permanently fixed to the wall.

Wall anchor and hardware are included with this product. Please make sure hardware is suitable for your walls before installing, as different wall materials may require different types of anchors.



Hardware of Wall Anchor

 Ø3,5*30mm	01
	01
	02
	01
 Ø3,5*14mm	01

CHECK FOR HIDDEN PIPES AND CABLES BEFORE DRILLING