

newair[®]

SKU: NWC029SS01

15" Built-in 29 Bottle Dual Zone Wine Fridge



OWNER'S MANUAL

Read and save these instructions.


Intertek
Manual v1.0

READ AND SAVE THESE INSTRUCTIONS.

TABLE OF CONTENTS

Register Your Product Online.....	3
Safety Information & Warnings	4
Parts List	5
Installation	6
Operating Instructions	7
Cleaning & Maintenance	8
Wine Storage Guide.....	9
How Long Should I Store My Wine?	9
Troubleshooting.....	10
Limited Manufacturer's Warranty.....	12

SPECIFICATIONS

MODEL NO.	NWC029SS01
VOLTAGE:	110-120V
CURRENT:	1.2A
FREQUENCY:	60Hz
POWER CONSUMPTION:	90W
STORAGE CAPACITY:	3.2 cubic feet
TEMPERATURE RANGE:	40°F - 50°F (upper zone) 50°F - 66°F (lower zone)
PROTECTION CLASS:	I
CLIMATE CLASS:	T/ST/N/SN
PRODUCT WEIGHT:	79 lbs
SHIPPING WEIGHT:	94 lbs
UNIT DIMENSIONS (W X D X H):	22.60"D (24.40" w/handle) x 14.80"W x 33.75"H

REGISTER YOUR PRODUCT ONLINE

Register Your NewAir Product Online Today!

Take advantage of all the benefits product registration has to offer:



Service and Support

Diagnose troubleshooting and service issues faster and more accurately



Recall Notifications

Stay up to date for safety, system updates and recall notifications



Special Promotions

Opt-in for NewAir promotions and offers

Registering your product information online is safe & secure and takes less than 2 minutes to complete:

newair.com/register

Alternatively, we recommend you attach a copy of your sales receipt below and record the following information, located on the manufacturer's nameplate on the rear of the unit. You will need this information if it becomes necessary to contact the manufacturer for service inquiries.

Date of Purchase: _____

Serial Number: _____

Model Number: _____

SAFETY INFORMATION & WARNINGS



When using any electrical appliance, basic safety precautions must be followed in order to reduce the risk of fire, electrical shock and/or injury to persons or property. Be sure to read all instructions before using this appliance and observe the following safety tips:

Attention: To avoid the risk of child entrapment, do not allow children to operate, play with, or crawl inside the unit. If the unit will not be used for an extended period of time, remove the door and leave the shelves in place so that children cannot crawl inside. Also remove the door when disposing of the unit.



Shock Hazard – Electrical Grounding Required

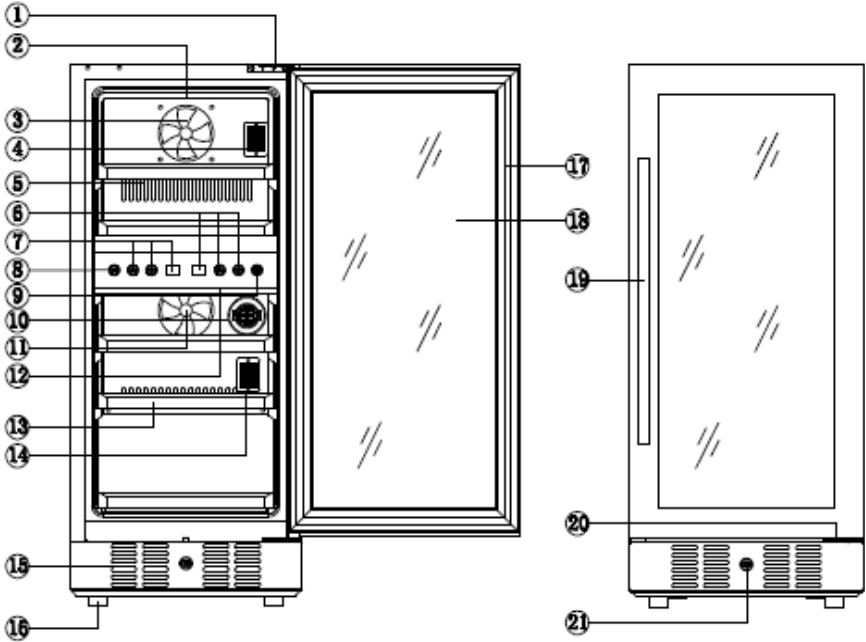
- Never attempt to repair or perform maintenance on the unit until the electricity has been disconnected.
- Never remove the round grounding prong from the plug and never use a two-prong grounding adaptor.
- Altering or cutting of power cord, removal of power cord, removal of power plug, or direct wiring can cause serious injury, fire, and loss of property and/or life, and will void the warranty.
- Never use an extension cord to connect power to the unit.
- Avoid operating this wine cooler in excessively moist or humid environments.



Important Precautions:

- Do not lift unit by door handle.
- Never install or operate the unit behind closed doors.
- Be sure the kick-plate on the front bottom is free of obstruction. Obstructing airflow can caused the unit to malfunction and will void the warranty.
- Failure to clean the condenser every six months can cause the unit to malfunction.
- Allow unit temperature to stabilize for 24 hours before use.
- Do not block any internal fans.
- Keep the wine cooler away from hazardous materials or combustible/flammable substances.
- Use only genuine supplier's replacement parts. Imitation parts can damage the unit, affect its operation or performance, and may void the warranty.

PARTS LIST



1. Right upper Hinge
2. Upper zone Light
3. Fan
4. Upper zone NTC point
5. Exhaust window
6. Lower zone temperature
7. Upper zone temperature

8. Temperature switch
9. Light switch
10. Carbon filter
11. Lower zone Fan
12. Lower zone Light
13. Shelf
14. Lower zone NTC point

15. Exhaust window
16. Foot
17. Door seal
18. Glass
19. Handle
20. Lower Hinge
21. Lock

INSTALLATION



Before connecting the appliance to a power source, let it stand upright for approximately 24 hours. This will reduce the possibility of a malfunction in the cooling system from handling during transportation.

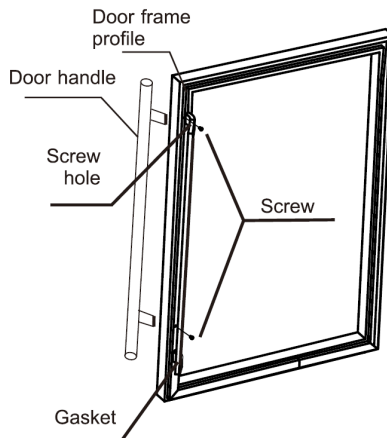
Before operating your wine cooler for the first time, follow these steps:

- Remove the exterior and interior packing.
- Clean the interior surface of the unit with lukewarm water and a soft cloth.
- Place the cooler on a level surface that will be strong enough to support the unit when it is fully loaded. To level your cooler, adjust the front feet located at the bottom of the unit.

INSTALLING THE STAINLESS STEEL HANDLE

To install the handle, follow the instructions below:

1. Remove the rubber gasket from the right side of the inside of the door (you don't need to remove the whole gasket, just the side that covers the openings for the screws).
2. Remove the screws from the included bag. Feed the screws through the holes from the inside until they poke through to the outside front of the door frame.
3. Align the handle with the two screws, then tighten the screws into the handle using a screwdriver until the handle is both flush and secured tightly against the door frame. **DO NOT** over-tighten the screws, as you may cause damage to the door frame.



OPERATING INSTRUCTIONS

HOW TO USE THE BUTTONS ON THE DISPLAY PANEL



Raise the desired temperature. *



Lower the desired temperature. *

* To set the upper zone temperature, press the UP or DOWN button on the control panel. The interior temperature of the upper zone can be adjusted in increments of 1 degree between 40°F and 50°F (5° - 10°C).

* To set the lower zone temperature, press the UP or DOWN button on the control panel. The interior temperature of the lower zone can be adjusted in increments of 1 degree between 50°F and 66°F (10° - 18°C).

The interior light can be turned on or off by pressing the “Light” button.

ADDITIONAL NOTES

- The appliance should not be used by children or persons with reduced physical, sensory or mental capabilities, or lack of experience.
- Children should not play with the appliance. Cleaning and user maintenance should be performed under adult supervision.
- If the supply cord is damaged, it must be replaced by the manufacturer, its service agent, or similarly qualified persons in order to avoid a safety hazard.
- Keep ventilation openings, in the appliance enclosure or in the built-in structure, clear of obstruction.
- Do not use mechanical devices or means other than those recommended by the manufacturer to accelerate the defrosting process.
- Do not damage the refrigerant circuit.
- Do not use electrical appliances other than those recommended by the manufacturer inside the wine storage compartments of the appliance.
- Do not store explosive substances such as aerosol cans with a flammable propellant in the appliance.
- This appliance is intended for use only in the household, office and similar environments.

CLEANING & MAINTENANCE

CLEANING YOUR COOLER

To clean your cooler:

- Unplug the cooler and remove anything inside.
- Wash the inside of the unit with a solution made of warm water and baking soda solution (2 tablespoons of baking soda to one quart of water).
- Unscrew the water reservoir at the bottom of the unit and rinse with water.
- To clean the outside of the unit, use a mild detergent and warm water.

MOVING YOUR COOLER

To move your cooler:

- Remove anything stored inside.
- Securely tape down all loose parts located inside the unit.
- Turn the leveling feet up to the base in order to avoid damage.
- Tape the door shut.
- Be sure the cooler stays in an upright position during transportation.

WINE STORAGE GUIDE

- The ideal temperature for storing red or white wines is 55°F, with humidity between 60% and 75% RH.
- Store corked bottles on their sides, to keep the cork from drying out and allowing air into the bottle.
- UV rays make wine age faster, so keep bottles out of direct sunlight.
- Avoid heavy vibrations from motors, etc.
- Store wine separately from strong odors that might contaminate the flavor of the wine.

HOW LONG SHOULD I STORE MY WINE?

While most wines today are meant to be drunk “young” (within a few years of production) some fine wines are best served by proper aging. But aging too long can decrease the flavor of the wine. Generally speaking, red wines can age longer than white wines, but here is a storage guide for some popular vintages.

Cabernet Sauvignon	7-10 years
Pinot Noir	5 years
Merlot	3-5 years
Zinfandel	2-5 years
Beaujolais	Drink now
Chardonnay.....	2-3 years
Riesling.....	3-5 years
Sauvignon Blanc.....	18 months – 2 years
Pinot Gris.....	1-2 years
Champagne	Ready to drink

TROUBLESHOOTING

Problem	Possible Causes	Solution
Wine cellar does not operate.	The unit may be plugged in using a different voltage.	Check if using the wrong voltage.
	The circuit breaker may be tripped or there is a blown fuse.	Reset the circuit breaker or check for a broken fuse
Wine cellar is not cold enough.	The external environment may require a higher setting.	Lower the temperature of the cooler.
	The door may be opened too frequently.	Open the door less frequently.
	The door is not closed completely.	Make sure the door is closed securely.
	The door seal does not seal properly.	Replace the seal on the door. Replacements can be acquired from the manufacturer.
	The front grille is obstructed.	Make sure nothing is blocking the front grille.
The light does not work.	There may be a problem with the display board.	Contact the manufacturer.
The cooler vibrates while operating.	The unit is not sitting on a level floor, or the unit's feet are not correctly installed.	Make sure the unit's feet are in the proper position and tightened securely.
The cooler produces a lot of noise.	The unit is not leveled.	See above.
	The fan may be obstructed	Check the fan to make sure there is no debris or obstruction. If not, contact the manufacturer.
The door will not close properly.	The unit is not leveled.	See above.

Problem	Possible Causes	Solution
	The door is not properly installed.	Check the door hinges to make sure they are properly installed.
	The seal is weak.	Replace the seal on the door. Replacements can be acquired from the manufacturer.
	The shelves are out of position.	Make sure the shelves slide all the way into the unit.
The LED display does not work.	There may be a problem with the main control board.	Contact the manufacturer.
	There is a problem with the plug.	Contact the manufacturer.
There is an LED display error, or the LED displays "LO".	The cooling kit is no longer working properly.	Contact the manufacturer.
	The PC Board is faulty.	Contact the manufacturer.
The buttons do not function.	The temperature control panel may be damaged.	Contact the manufacturer.

LIMITED MANUFACTURER'S WARRANTY

This appliance is covered by a limited manufacturer's warranty. For one year from the original date of purchase, the manufacturer will repair or replace any parts of this appliance that prove to be defective in materials and workmanship, provided the appliance has been used under normal operating conditions as intended by the manufacturer.

Warranty Terms:

During the first year, any components of this appliance found to be defective due to materials or workmanship will be repaired or replaced, at the manufacturer's discretion, at no charge to the original purchaser. The purchaser will be responsible for any removal or transportation costs, if needed.

Warranty Exclusions:

The warranty will not apply if damage is caused by any of the following:

- Power failure
- Damage in transit or when moving the appliance
- Improper power supply such as low voltage, defective household wiring or inadequate fuses
- Accident, alteration, misuse or abuse of the appliance such as using non-approved accessories, inadequate air circulation in the room or abnormal operating conditions (extreme temperatures)
- Use in commercial or industrial applications
- Fire, water damage, theft, war, riot, hostility or acts of God such as hurricanes, floods, etc.
- Use of force or damage caused by external influences
- Partially or completely dismantled appliances
- Excess wear and tear by the user

Replacement parts and/or units will be new, re-manufactured or refurbished and is subject to the manufacturer's discretion. For technical support and warranty service, please email support@newair.com