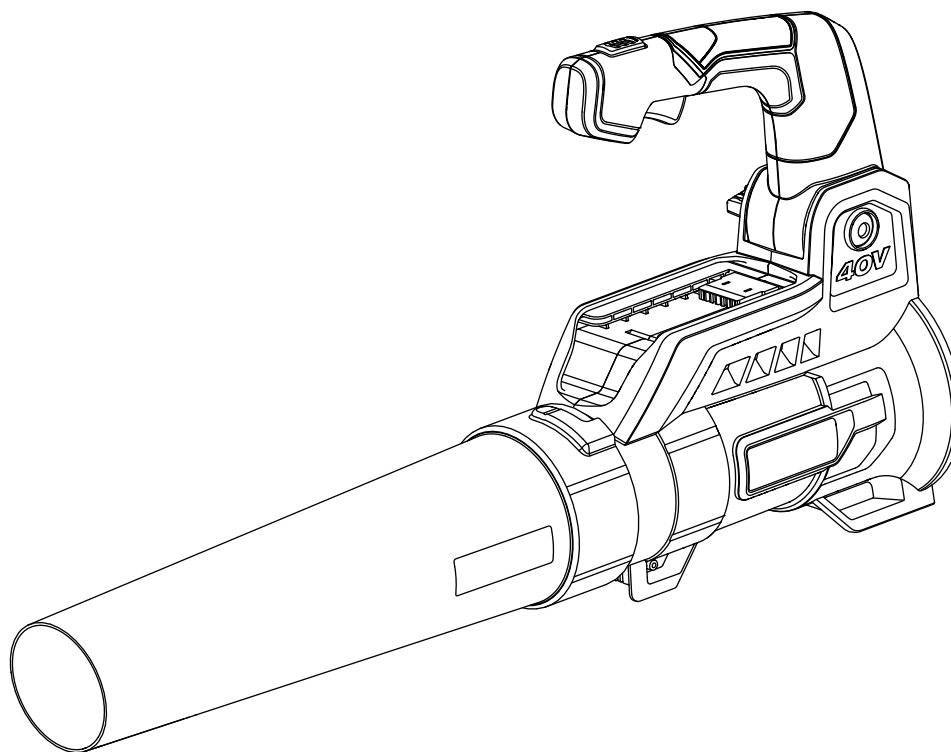


REPAIR SHEET

BRAND RYOBI		DESCRIPTION 40 Volt Jet Fan Blower
MODEL NO. RY40408VNM	MFG. NO. 108600101	

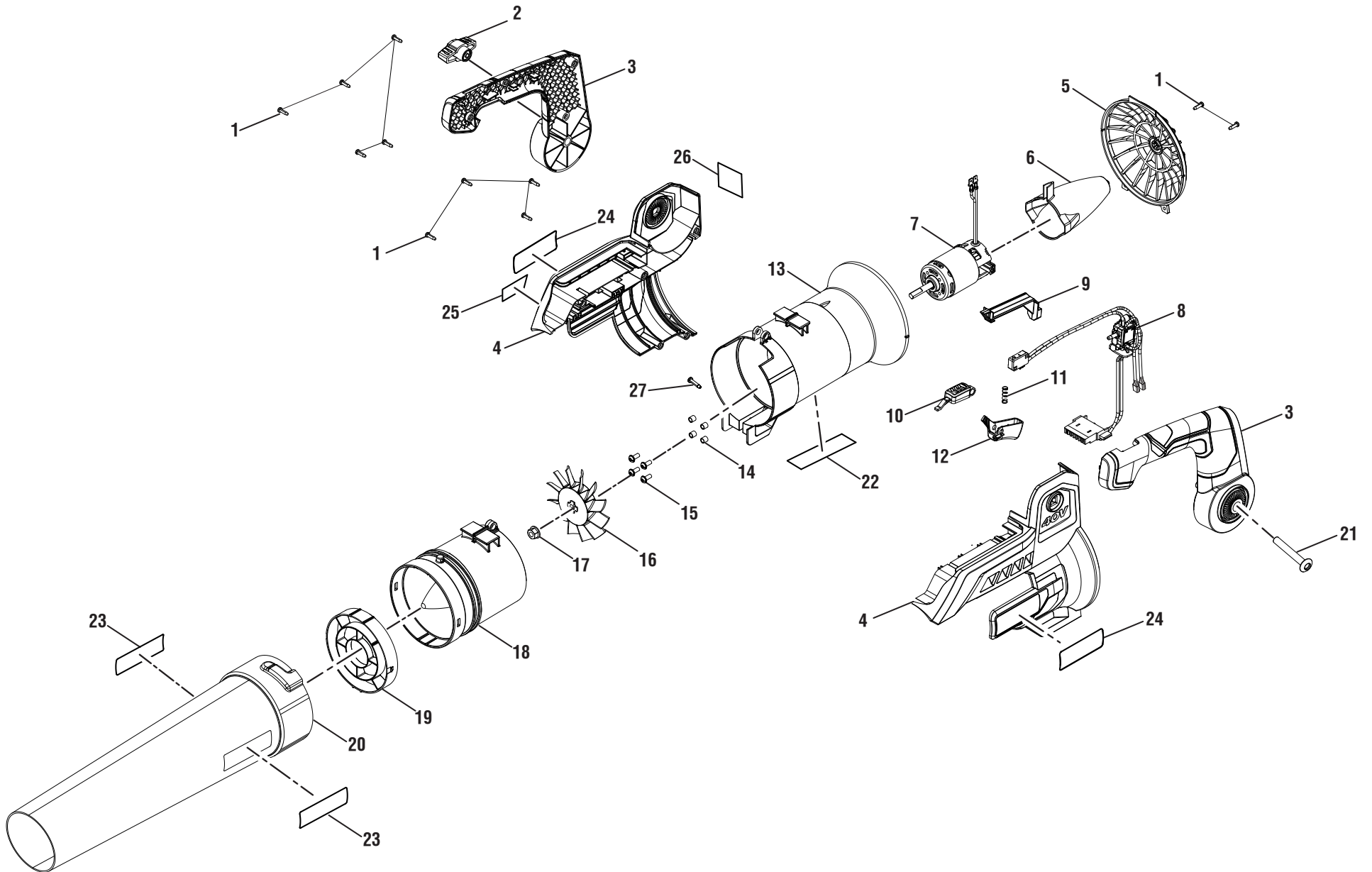


TECHTRONIC INDUSTRIES POWER EQUIPMENT

P.O. Box 1288, Anderson, SC 29622 ■ 1-800-525-2579 ■ www.ryobitools.com

4-21-21 (Rev:02)

The model number and manufacturing location will be found on a label attached to the product. Always mention this information in all communications regarding this product and when ordering parts.





RY40408VNM

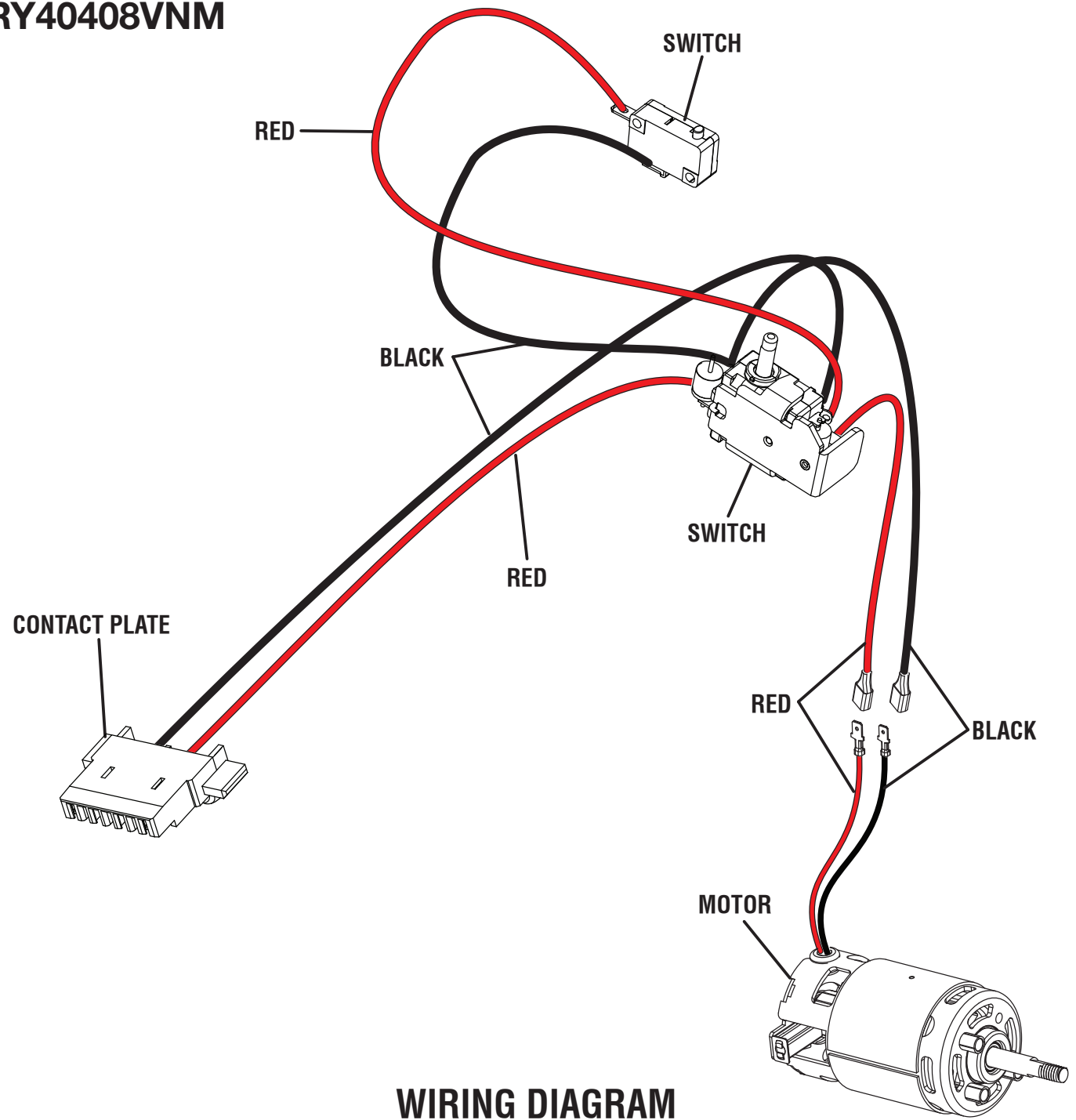
PARTS LIST

KEY NO.	PART NO.	DESCRIPTION	QTY.
1	661817001	Screw (M4 x 14 mm, T15 Torx Pan Hd.)	11
2	539320002	Handle Knob	1
3	205336001	Handle Assembly	1
4	205335001	Housing Assembly (Inc. Key Nos. 24-26)	1
5	539791001	Inlet Guard	1
6	539793001	Motor Cone	1
7	742510003	Motor	1
8	205337001	Battery Holder and Switches Assembly	1
9	539800001	Switch Cap	1
10	539799001	Turbo Button	1
11	671073001	Compression Spring	1
12	539798001	Trigger	1
13	205357001	Motor Mount Assembly (Inc. Key No. 22)	1
14	697725001	Bushing	4
15	660917004	Screw (M5 x 0.8 mm, T25 Torx Pan Hd.)	4

KEY NO.	PART NO.	DESCRIPTION	QTY.
16	537642001	Fan	1
17	678128002	Lock Nut (M8)	1
18	539792001	Stator	1
19	537637001	Vane Insert	1
20	205334001	Blower Tube Assembly (Inc Key No. 23)	1
21	541033001	Handle Knob Bolt	1
22	941588638	Data Label	1
23	940114537	Jet Fan Logo Label	2
24	940851584	Logo Label	2
25	940657342	Warning Label (French & Spanish)	1
26	940657341	Warning Icon Label	1
27	661864007	Screw (M4 x 18 mm, T15 Torx Pan Hd.)	1
	Not Shown:		
	998000091	Operator's Manual	



RY40408VNM



WIRING DIAGRAM