

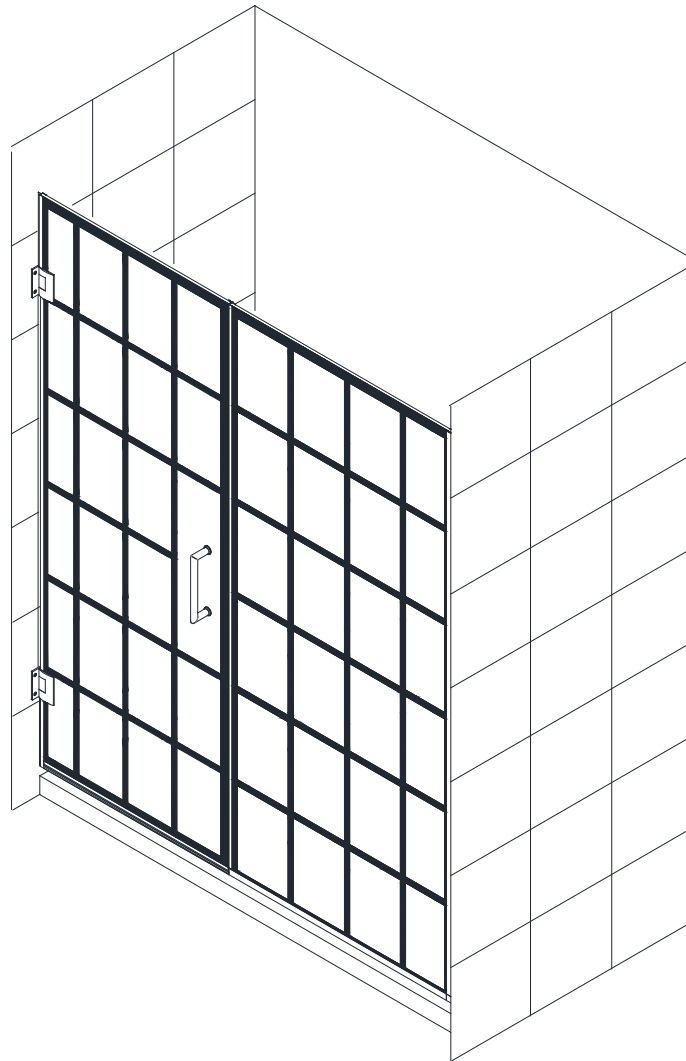


# UNIDOOR TOULON

## SHOWER DOOR INSTALLATION INSTRUCTIONS

### IMPORTANT

DreamLine® reserves the right to alter, modify or redesign products at any time without prior notice. For the latest up-to-date technical drawings, manuals, warranty information or additional details please refer to your model's web page on [DreamLine.com](http://DreamLine.com)



**MODEL #**  
SHDR-2458720-89

##=finish  
89- French Black

*Left hand door installation shown*



### Questions?

Please Call **DreamLine** Customer Support: **1-855-831-2126**  
Hours of Operation M-F 8AM - 7PM EST and Saturday 9AM - 5PM EST

[Support@DreamLine.com](mailto:Support@DreamLine.com)

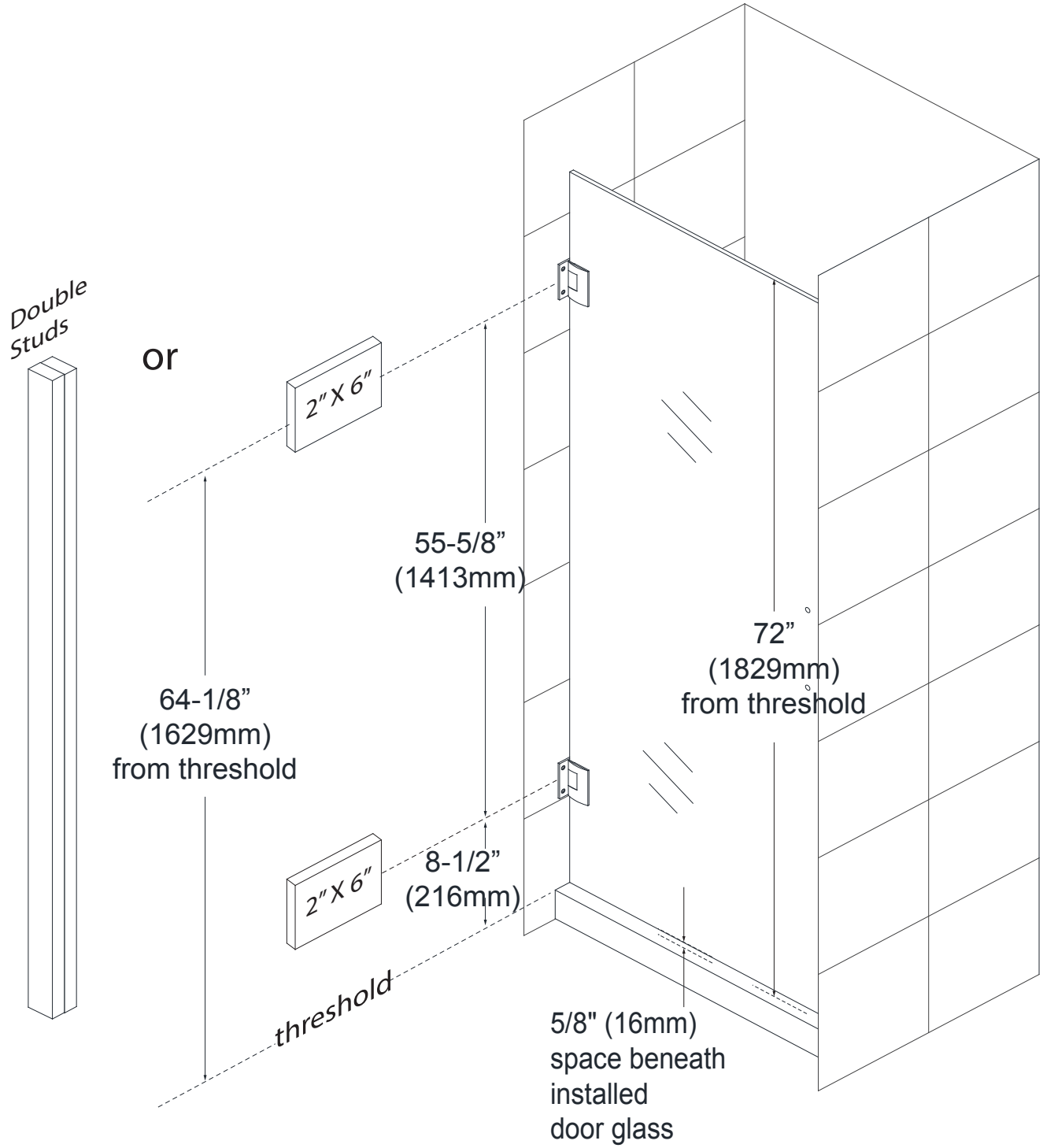


For more information about DreamLine® Shower Doors, Tub Doors & Enclosures, please visit [DreamLine.com](http://DreamLine.com)

## **Table of Contents**

<b>Section title</b>	<b>Page #</b>
Preparation	4
Tools	5
Detailed Diagram of Shower Door Components	6
Parts List	7
Installation Steps	8-21
Vinyl Seals	20-21
Adjustable Hinge Details	22
Product maintenance	23

INSTALL DOUBLE STUDS **OR** INSTALL 2" X 6" WOOD BLOCKING BETWEEN THE STUDS WHERE THE HINGES WILL ATTACH TO THE WALL





**This model is treated with DreamLine's exclusive ClearMax™ Glass technology. This is a specially formulated coating that prevents the buildup of soap and water spots.**

**Install the surface with the ClearMax™ label towards the inside of the shower. Please note that depending on the model, the glass may be coated on either one or both surfaces.**

**For best results, squeegee the glass after each use and dry with a soft cloth.**

## Preparation

1. Prior to installation, examine all boxes and packages for shipping damage and compare the piece count with the packing slip. After opening all boxes and packages read this introduction carefully. Check that all of the necessary parts are included in the package by checking off the components on the "Detailed Diagram of Shower Door Components". If the unit has been damaged, has a finishing defect, or has missing parts, please contact our customer support department within **3 business days** of the delivery date. **Please note that DreamLine® will not replace any damaged products or missing parts free of charge after 3 business days or if the product has been installed.** Feel free to contact DreamLine® if you have any questions, and please provide an order number, job name or other proof of purchase to help identify the original order.
2. **Please note that you should consult your local building codes with questions on installation compliance standards. Building and plumbing codes may vary by location, and DreamLine® is not responsible for code compliance standards for your project and will not accept any returns.**
3. If this unit is going to be installed in a new construction, please install all of the required plumbing and drainage before installing the shower. Use a competent and licensed (if required by local code) plumber for all plumbing installation
4. Please make sure that prior to beginning the installation, the surfaces are leveled and solid and will be able to support the total weight of the unit. Also make sure the walls are at right angles. Irregular installation surface level, radius corners or improper angle of side walls will result in serious problems for your installation. Note that some adjustments and drilling will be necessary during the installation process.
5. **Please protect all primary surfaces of the product during installation.** Never set the glass down directly onto a tile floor. Leave corner protectors in place until necessary to remove them. Always use a piece of wood or cardboard to protect the bottom edge and corners of the glass prior to and during installation.
6. This unit must be installed upon a finished threshold and against finished walls.
7. **This door is extremely heavy and the hinges on this door must be attached to the studs or to preinstalled 2" x 6" wood reinforcement behind the wall. See step #5 for details.**
8. **Note: The installation of this unit requires that you drill down into the threshold.**
9. This model requires a minimum 5/8" of flat threshold space for installation.
10. **This model has 1/2" of adjustment within the U-Channel on the stationary panel side for out-of-plumb wall conditions and overall width within the model size. Confirm the finished opening conditions before proceeding with the installation.**
11. **Professional installation recommended.**

**NOTE:** This model is reversible for left or right hand installation. This manual will show the left-hand door installation. For a right hand door installation, simply begin on the opposite wall and reverse the orientation of the parts as necessary.

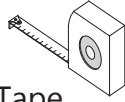


**NOTE: DO NOT attach the handle to the door glass until instructed to do so. DO NOT use the handle to lift the glass during installation. This may result in damage to the glass and/or serious injury. Always use an assistant or a professional grade glass suction cup when handling heavy glass.**

## Tools



Level



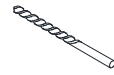
Tape Measure



Pencil



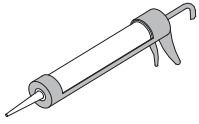
Phillips Screwdriver



Drill bit  
Ø5/16"  
(8mm)



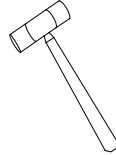
Drill bit  
Ø=1/8"  
(3mm)



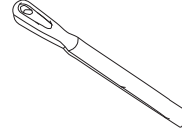
Silicone



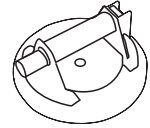
Power Drill



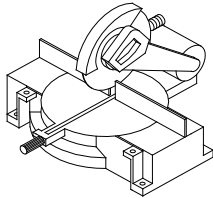
Hammer



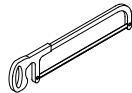
Metal File



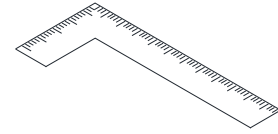
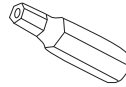
Professional grade  
Glass suction cup



Miter saw or Hacksaw



Hex Head Driver 4mm

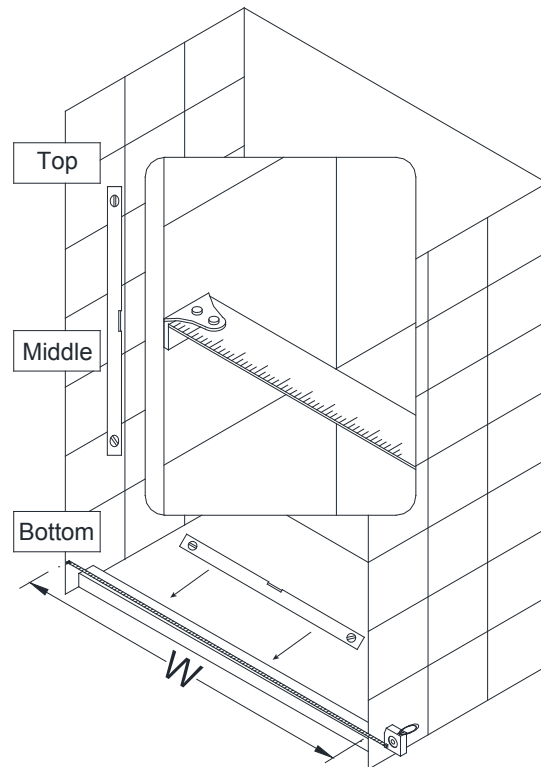


Carpenter's Square

**Tip:** Measure the finished opening before proceeding with the installation to be sure that the correct model size has been ordered.

**Tip:** Prior to installation, cover the shower/tub drain with tape to prevent losing screws or small parts.

**Tip:** Set screw gun clutch to low setting when installing screws and bolts to prevent stripping the heads.

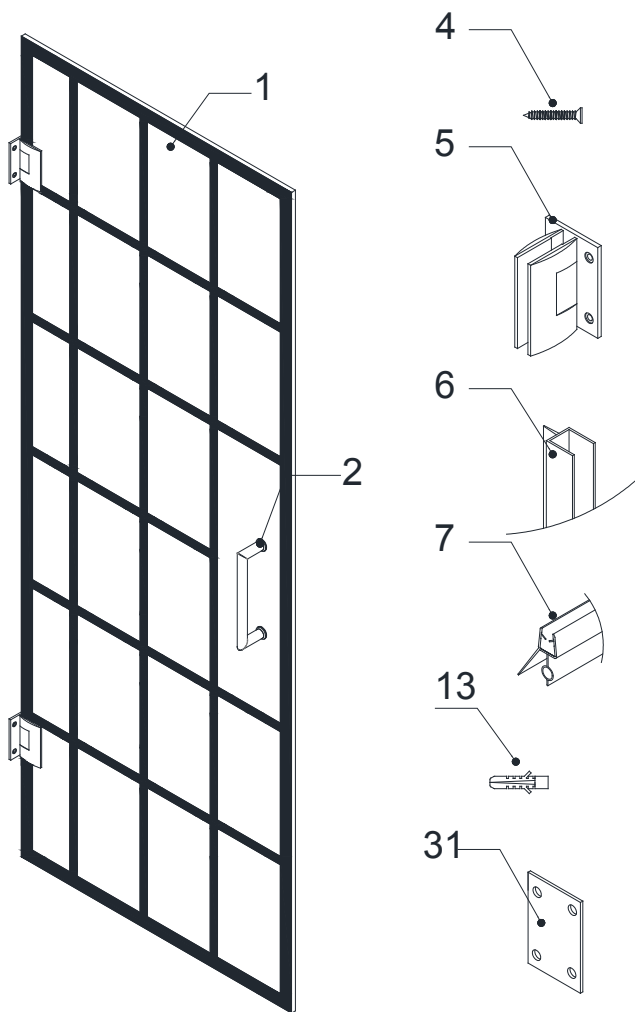


**NOTE:** Unpack your unit carefully and inspect it. Lay it out and identify all parts using the detailed diagram and packing list in this manual as a reference. Before discarding the carton, check for small hardware bags that may have fallen to the bottom of the box. If any parts are damaged or missing, please contact DreamLine® for replacement. The shipping boxes may contain extra parts not used in your model configuration.

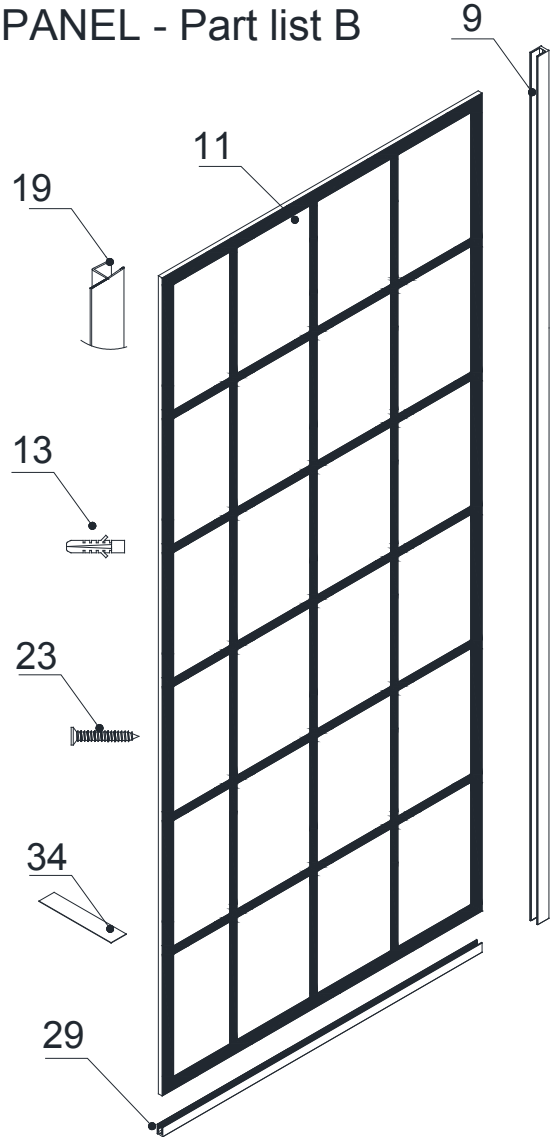
**NOTE:** Retain these installation instructions for future reference.

# Detailed Diagram of shower door components

## DOOR- Part list A



## PANEL - Part list B



**The glass surface  
with the ClearMax™  
label must be  
installed facing the  
inside of the shower**

## Part List-A

Part#	Description	Qty	Part#	Description	Qty
01	Door glass	1pc	06	Side strip (3 sections to cut)	1pc
02	Handle	1pc	07	Bottom anti-water strip	1pc
04	Countersunk screw ST5×70	8pcs	13	Ø 5/16" Wall anchor	8pcs
05	Hinge with Adjustable angle	2pcs	31	PVC-hinge spacer	4pcs

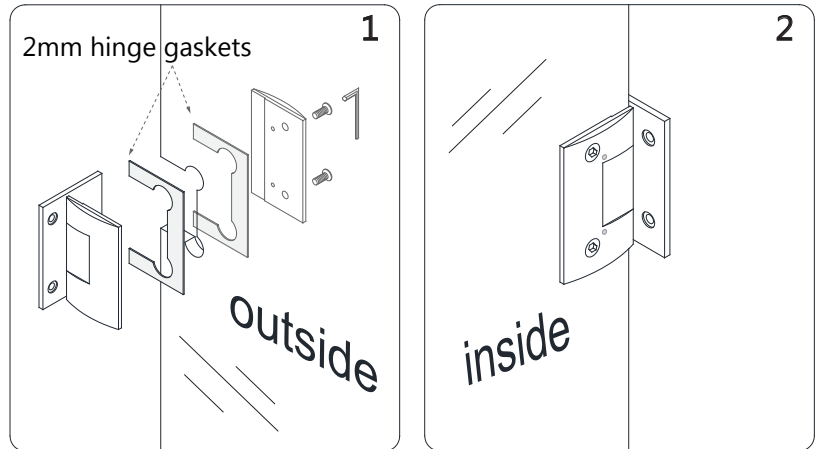
## Part List-B

Part#	Description	Qty	Part#	Description	Qty
09	U-channel 1 (73" wall profile)	1pc	23	Countersunk screw ST4.2×40	8pcs
11	Stationary panel glass	1pc	29	U-channel 2 (32" bottom profile)	1pc
13	Ø 5/16" Wall anchor	8pcs	34	PVC-glass spacer(0.5mm)	1pc
19	Anti - Water strip (inline panel)	1pc			

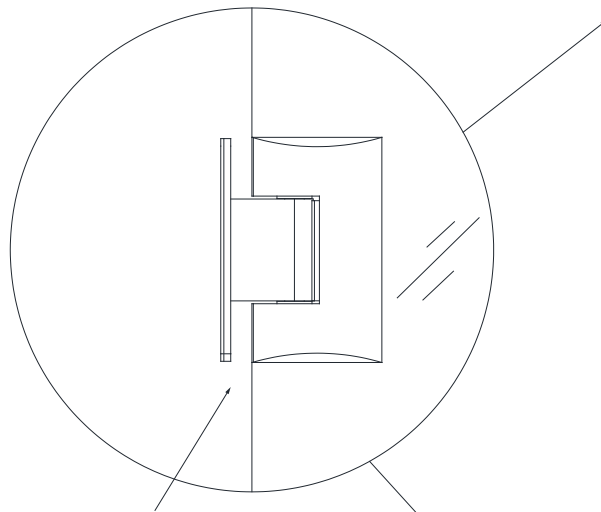


# Installation steps

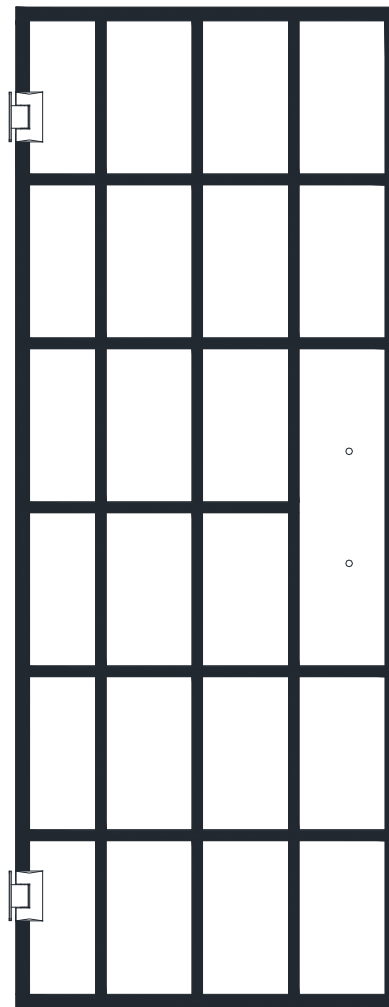
**1.** Attach the **Hinges (#05)** onto the **Door Glass (#01)**, using one (**2mm**) vinyl hinge gasket per side. Center the hinge in the notch and flush with the edge of the glass. (**Fig 1 and Fig 2**)



**Fig 1**



Install the hinges flush with the edge of the Door Glass



**Fig 2**



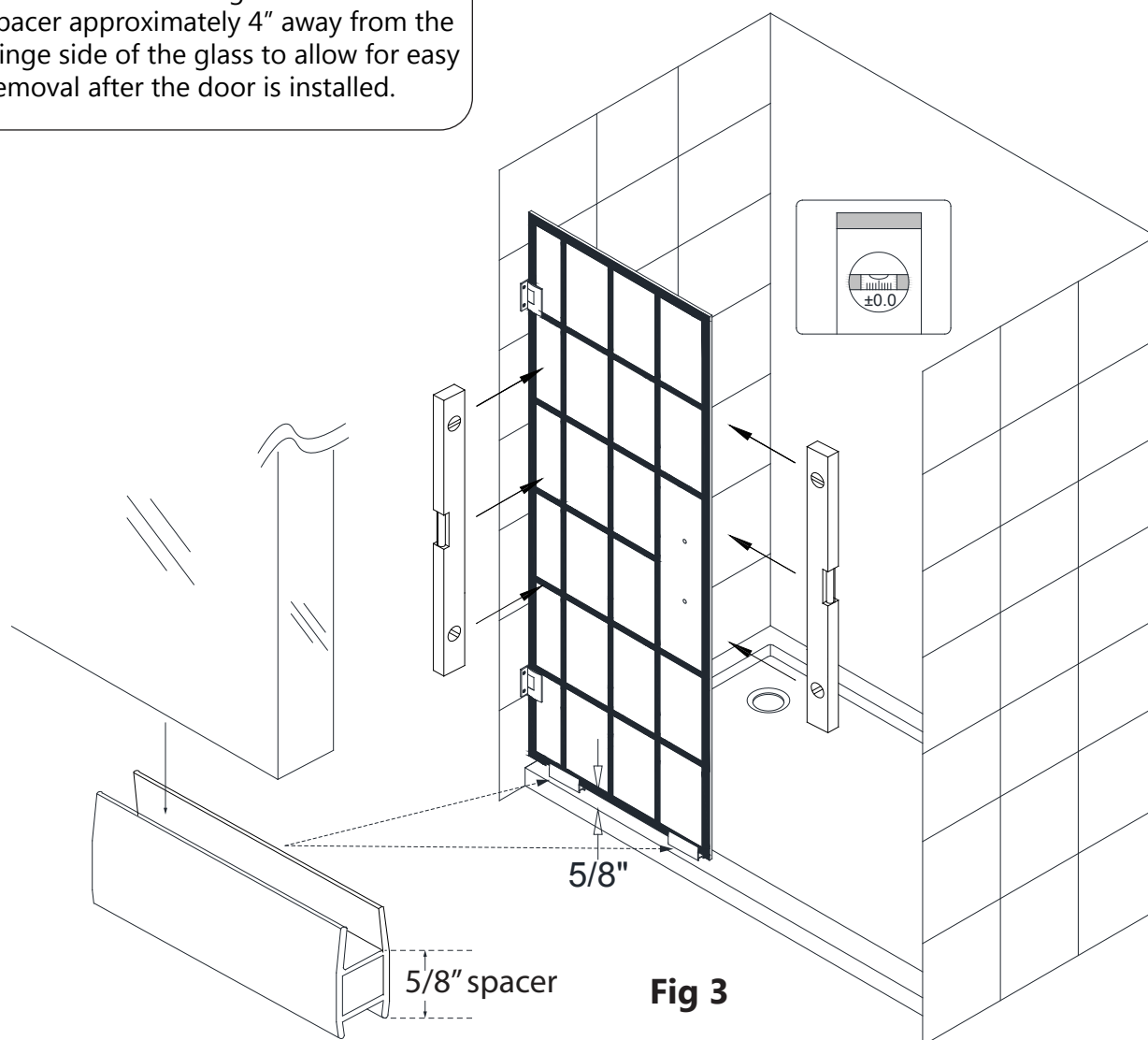
**NOTE: DO NOT attach the handle to the door glass at this time. DO NOT use the handle to lift the glass during installation. This may result in damage to the glass and/or serious injury. Always use an assistant or a professional grade glass suction cup when handling heavy glass.**

2. Set the **Door Glass (#01)** (with two **5/8" spacers** attached to the bottom) onto the threshold at the desired location and check for level. The provided **5/8" spacers** will leave the proper spacing at the bottom of the **Door Glass (#01)**. Carefully position the **Door Glass (#01)** with the hinge side against the wall, adjust its position and check for plumb with a level before marking the hinge positions. **(Fig 3)**

**Note:** Use a tape measure to confirm that the installed height of the **Door Glass (#01)** will match the height of the **Stationary Panel Glass (#11)** before marking the hinge locations.



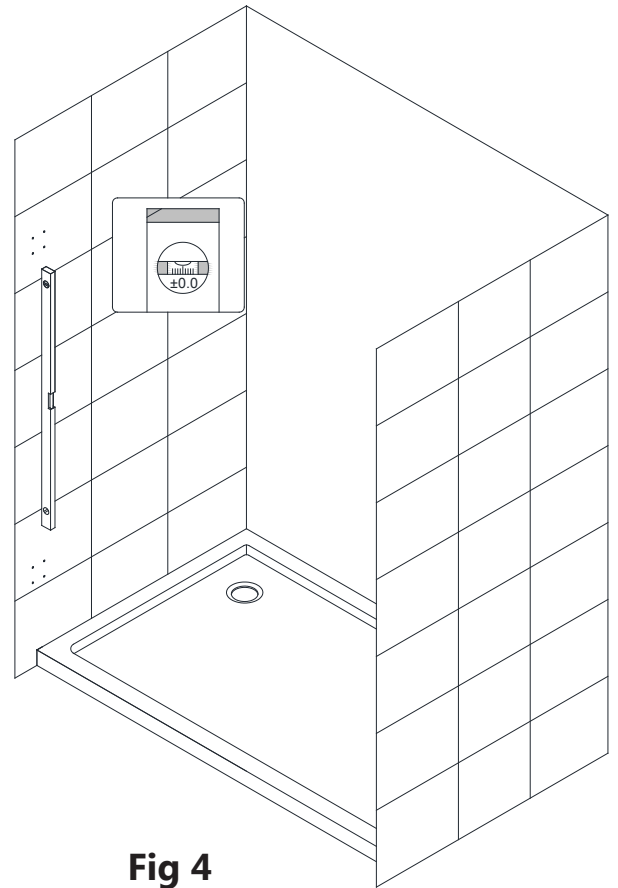
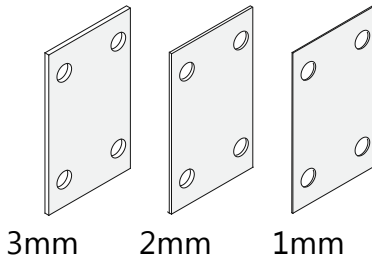
**TIP:** Position the hinge-side bottom spacer approximately 4" away from the hinge side of the glass to allow for easy removal after the door is installed.



**3.** If the hinge-side wall is out-of-plumb, use the **PVC Hinge Spacers (#31)** to plumb the door. **Do not exceed 1/4" of adjustment. (Fig 4)**

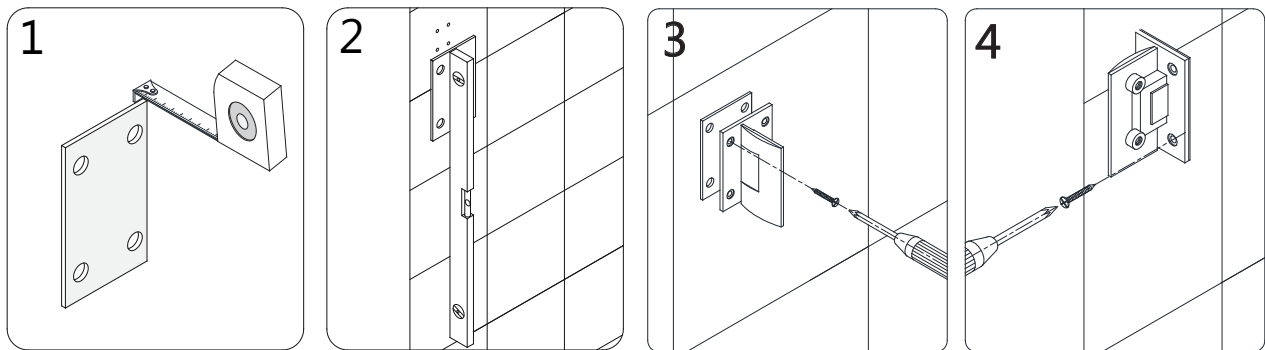


**IMPORTANT:** The included **PVC Hinge Spacers (#31)** are provided to compensate for minor out-of-plumb wall conditions. **Use only as needed** as their use could compromise the opening size of your shower and prevent proper installation.



**Fig 4**

**4.** Check the hinge-side wall with a level to determine if the wall is out-of-plumb. Use the correct **PVC Glass Spacer(s) (#34)** to correct for the condition if it exists. Then use the same spacers during the final installation of the hinges to the wall. **(Fig 5)**



**Use the PVC Hinge Spacer only if necessary to correct for up to 1/4" out-of-plumb on the hinge-side wall.**

**Fig 5**

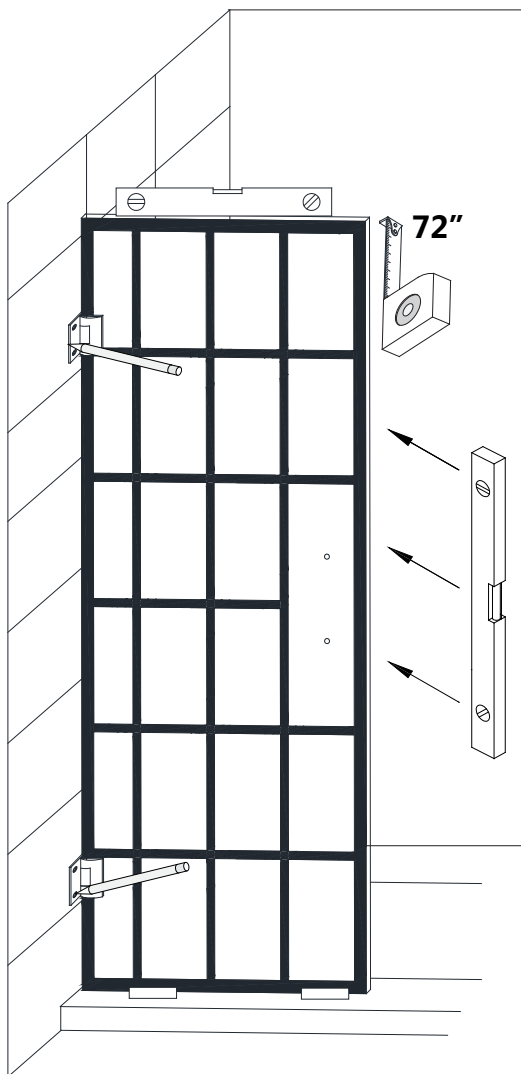
**TIP:** The PVC hinge spacer can also be used as a template to assist with marking the hinge mounting holes.



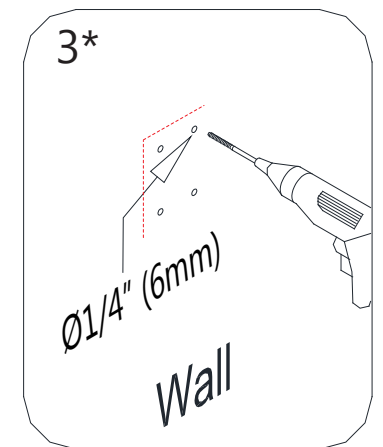
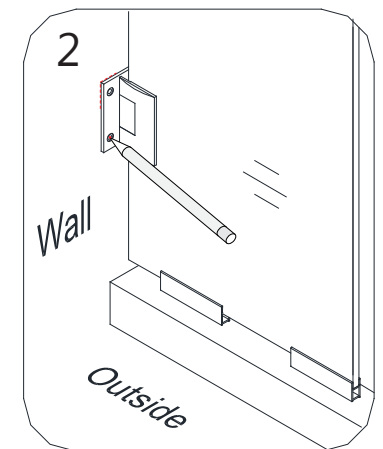
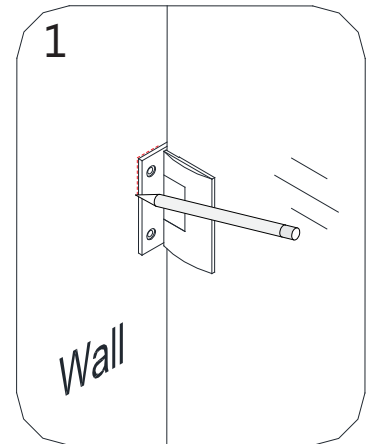
**\*ATTENTION:**

**This door is extremely heavy.  
The hinges must be installed into the studs or to preinstalled 2" × 6" wood reinforcement behind the wall.**

**5.** Once the **Door Glass (#01)** is level and plumb, mark the location of the hinge plates and holes on the wall. Remove the **Door Glass (#01)** and drill  $\text{Ø}1/4"$  holes up to the stud and let the screw bore into the wood. **DO NOT** use wall anchors. (Fig 6a and Fig 6b)



**Fig 6a**



**Fig 6b**

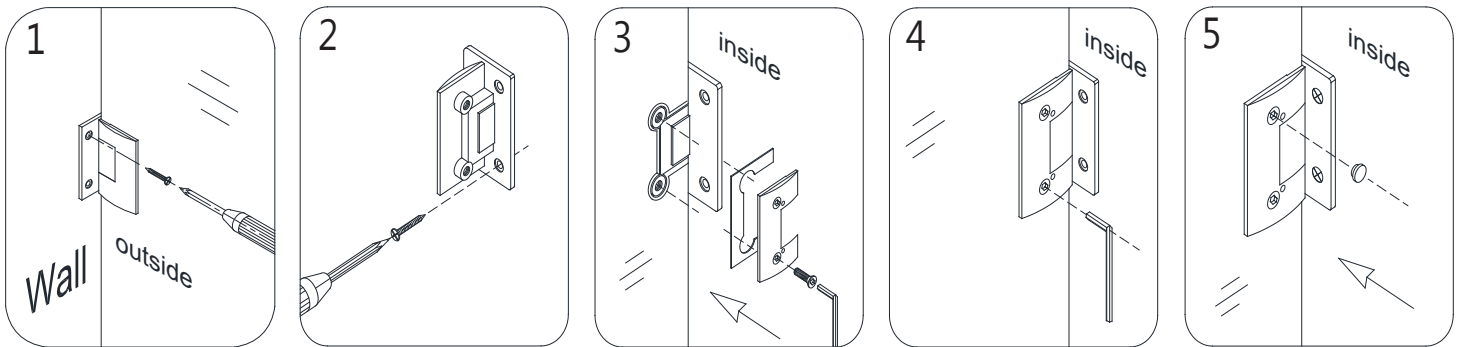
**6.** Install the hinges to the wall using the **ST5x70 (#04) screws**. **Be careful not to scratch the hinge surfaces during installation.** If necessary, remove the inside hinge cover plate to install the mounting screws that are inside the shower. **(Fig 7.2)**

**INSTALL THE DOOR:**

**Option #1** - Leave the hinges on the **Door Glass (#01)**. Install the outside hinge plate screws first, then open the door slightly and install the inside hinge screws.

**Option #2** - Remove the hinges from the **Door Glass (#01)**. Install the hinges onto the wall. Attach the **Door Glass (#01)** to the installed hinges.

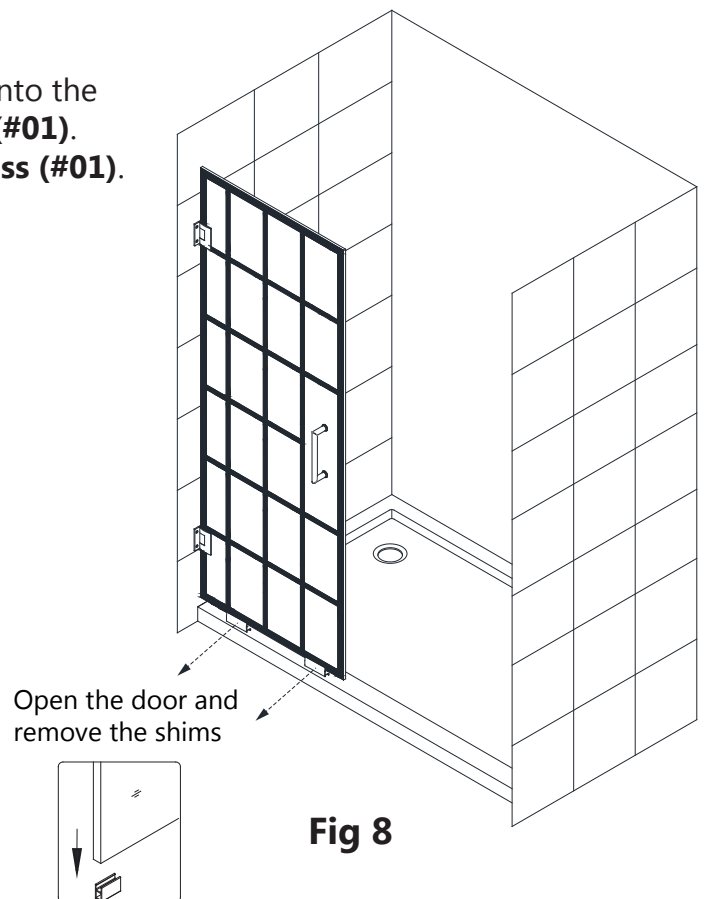
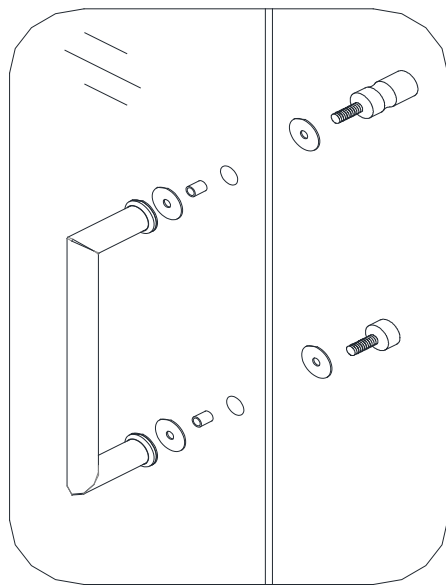
Use one (**2mm**) vinyl hinge gasket per side. Tighten the allen bolts and cover the allen bolts with the decorative covers. **(Fig 7)**



**Note:** See page 22 for details regarding the adjustable hinge features.

**Fig 7**

**7.** After the **Door Glass (#01)** is securely installed onto the hinges, attach the **Handle (#02)** to the **Door Glass (#01)**. Remove the shims from the bottom of the **Door Glass (#01)**. **(Fig 8)**

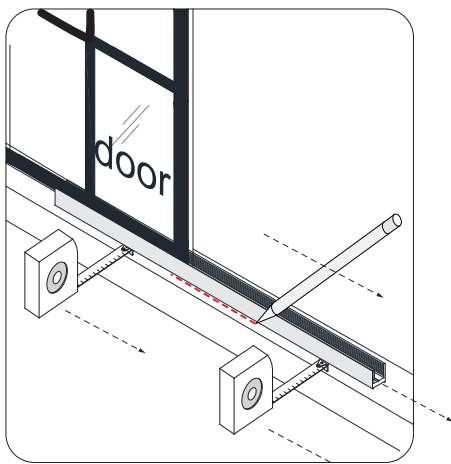


**Fig 8**

**8.** Close the door. Temporarily use the bottom **U-Channel 1 (#09)** to mark a reference line for the alignment of the inline panel glass. Slide the **U-Channel 1 (#09)** onto the bottom of the installed door glass.

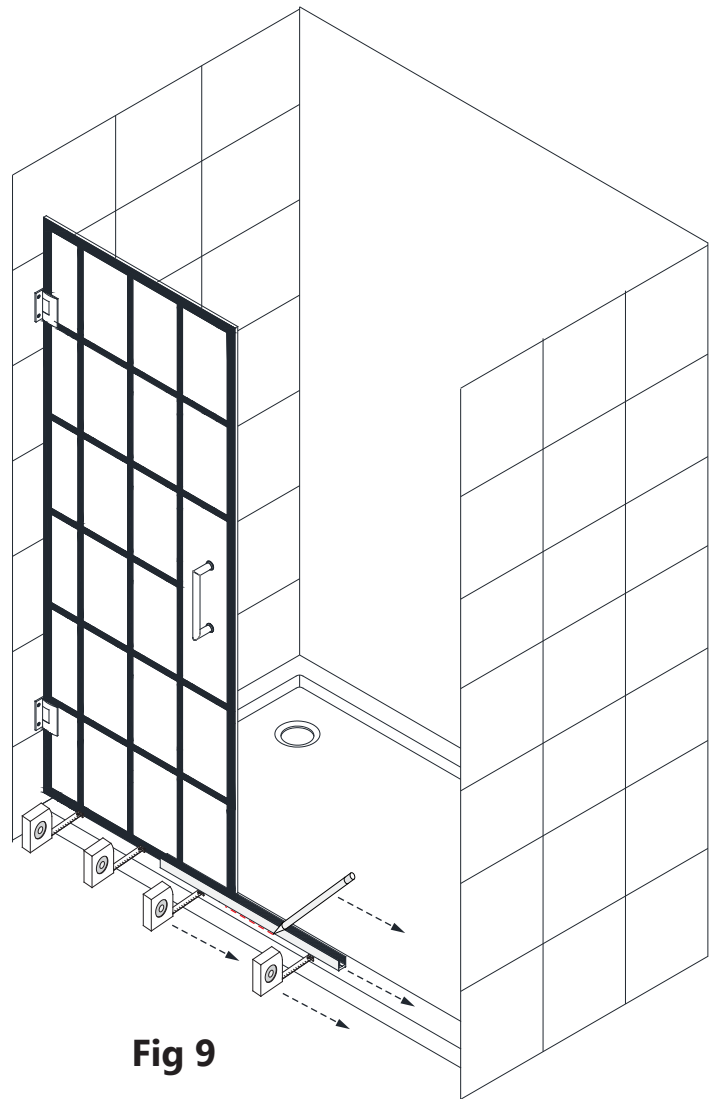
Hold the door in a closed position, parallel to the outside edge of the threshold. Mark the threshold in several places along the U-Channel, checking with a tape measure to stay in-line.

Slide the U-Channel over toward the panel-side wall to mark the rest of the threshold. Use this line as a reference to install the bottom U-Channel for the **Stationary Panel Glass (#11)**, Remove the bottom u-channel from the door glass and proceed to the next step. **(Fig 9)**

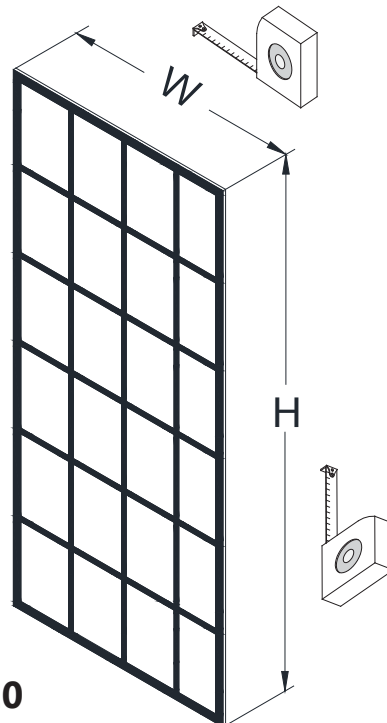


Use the bottom U-channel to mark a reference line relative to the door glass

**9.** Measure the actual width and the height of the **Stationary Panel Glass (#11)**. **(Fig 10)**



**Fig 9**



**Fig 10**

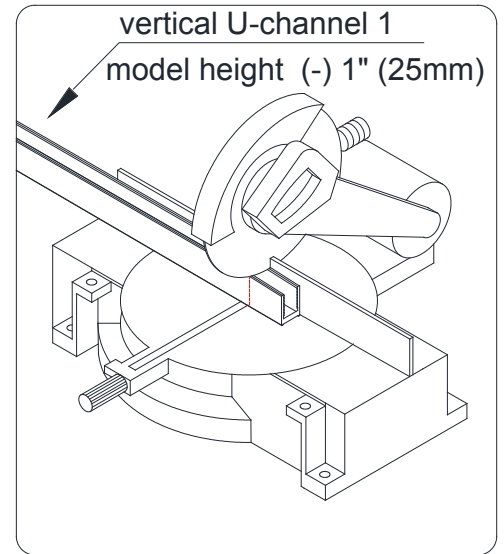
**10.** Cut the vertical **U-Channel 1 (#09)** to size:

**Model height (-) 1" or Glass Height (-) 13/16".**

**Example:**

**If the actual Glass Height = 71-13/16", cut the vertical U-Channel to 71"**

**(Fig 11)**



**Fig 11**

**11.** Cut the bottom **U-Channel 2 (#29)** to size.

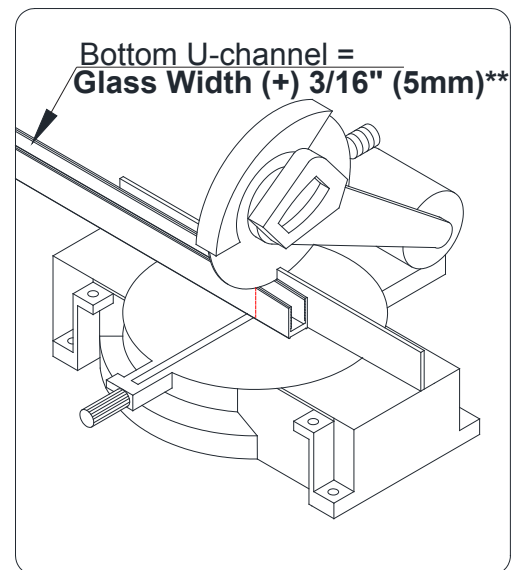
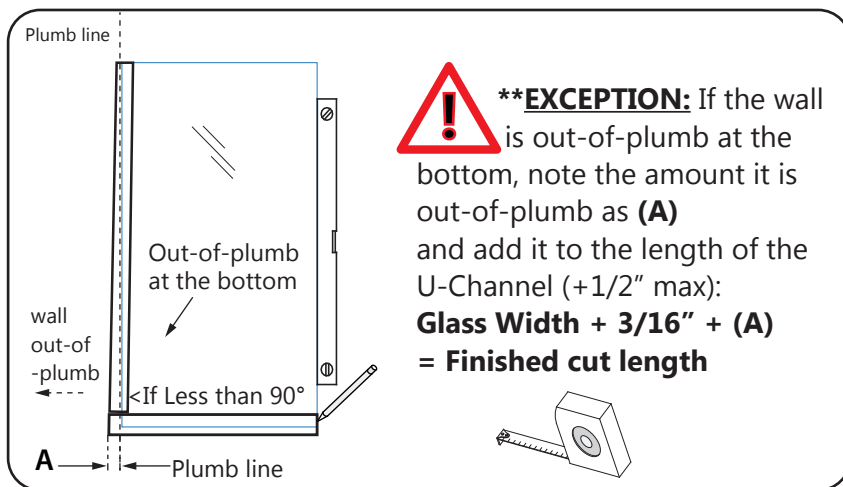
Cut the bottom **U-Channel 2 (#29)** to:

**Glass Width (+) 3/16" (\*\*see exception below)**

**Example:**

**If the actual Glass Width = 29-13/16", cut the bottom U-Channel to: 30"**

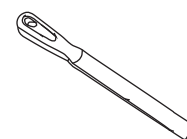
**(Fig 12)**



**Fig 12**



**TIP:** Use a metal file to remove any burrs from the cut ends of the U-Channels before placing them onto the glass.

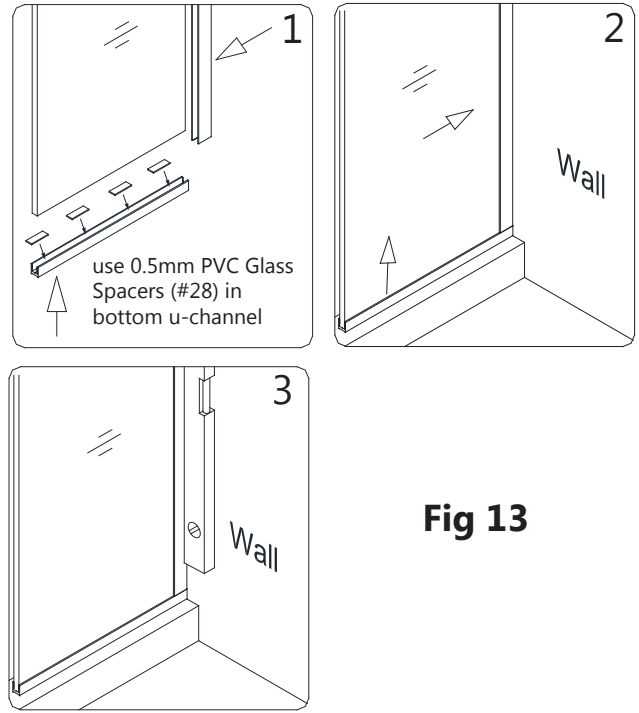


**Metal File**

The **Stationary Panel Glass (#11)** needs to be aligned with the installed **Door Glass (#01)** and the positions of the U-Channels marked for drilling and installation.

**12.** Dry fit the **Stationary Panel Glass (#11)** and **U-Channels** onto the threshold. Use the mark on the threshold from the previous step for reference. The install positions of the **U-Channels** need to be marked on the threshold and wall **after** the panel glass is aligned with the door glass.

- Open the door and place the bottom **U-Channel 2 (#29)** onto the threshold.
- Add several **2" pieces** of the **0.5mm PVC Glass Spacers (#28)** into the bottom **U-Channel 2 (#29)** to protect the bottom corners of the glass. (Fig 13.1)
- Attach the vertical **U-Channel 1 (#09)** onto the **Stationary Panel Glass (#11)**.
- Place the glass into the bottom **U-Channel 2 (#29)** and slide the assembly tight to the wall. (**Fig 13**)

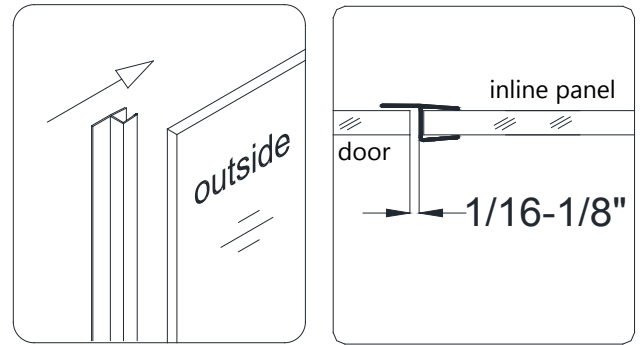


**Fig 13**

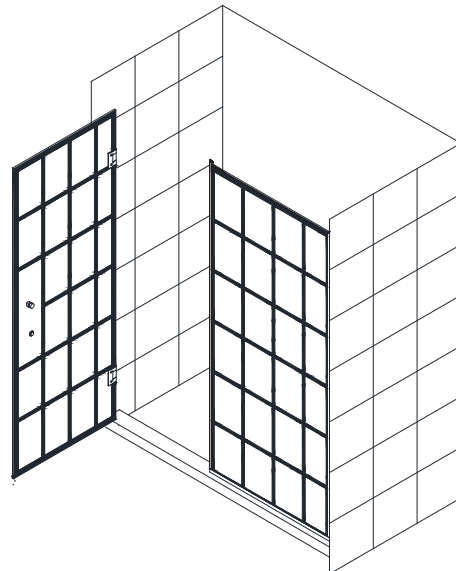
**13.** Attach the **Anti-Water Strip (#19)** to the edge of the **Stationary Panel Glass (#11)** to protect the edge and to simulate the proper spacing with the **Door Glass (#01)**. (**Fig 14**)



**NOTE:** The **Anti-Water Strip (#19)** will extend above the glass for now, but will need to be notched to fit around the bottom U-Channel in a later step.



**Fig 14**

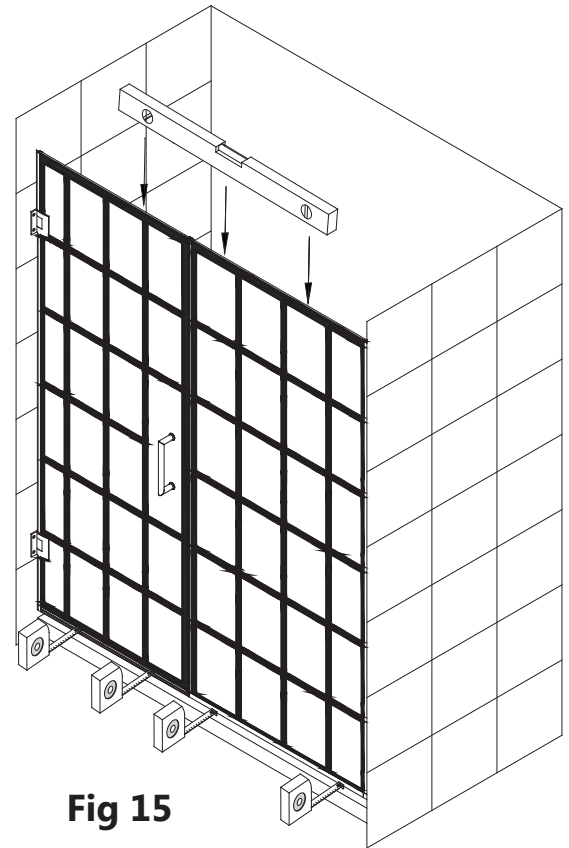




**14.** Close the door and align the **Stationary Panel Glass (#11)** with the **Door Glass (#01)** for a tight seal against the **Anti-Water Strip (#19)**. Hold the door parallel to the outside edge of the threshold. Use a tape measure in two or more locations to confirm that the bottom **U-Channel 2 (#29)** is also parallel to the outside edge of the threshold. **(Fig 15)**



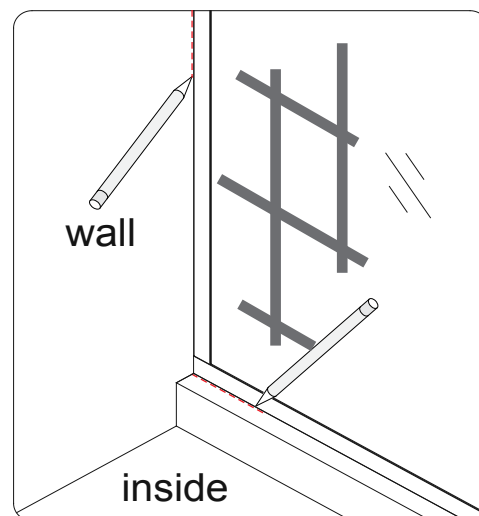
**Note:** It is very important that the door glass makes a good seal with the strike vinyl on the stationary panel glass from top to bottom to prevent leakage.



**Fig 15**

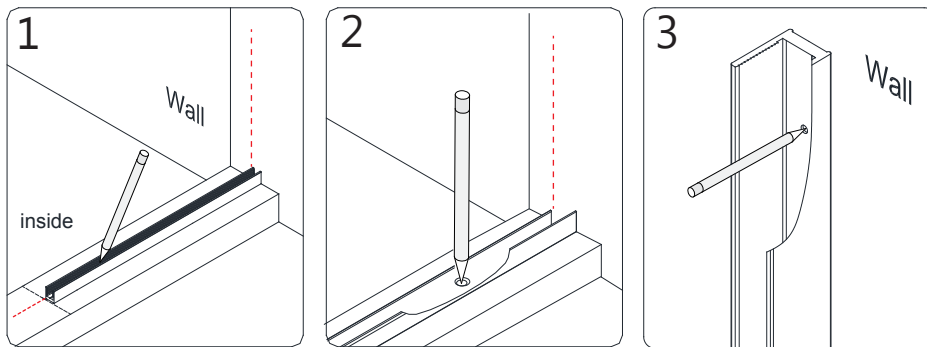
**15.** Once the **Stationary Panel Glass (#11)** is aligned with the **Door Glass (#01)**, mark the positions of the **U-Channels** on the threshold and wall.

**(Fig 16)**

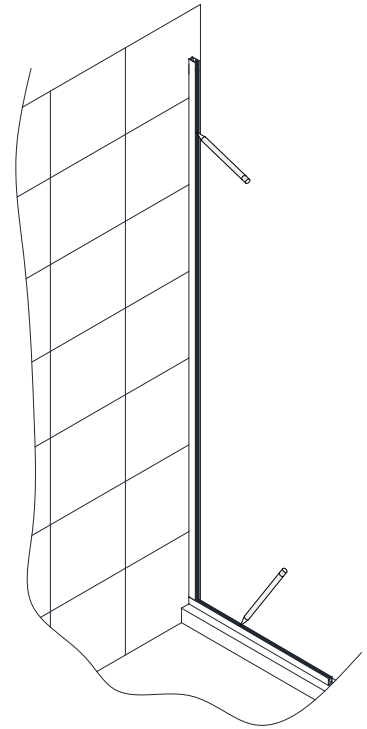


**Fig 16**

**16.** Open the **Door Glass (#01)** and remove the **Stationary Panel Glass (#11)**. Re-position the **U-Channels** onto the reference marks in the opening and mark the hole locations for drilling through the pre-drilled holes in the **U-Channels**. (**Fig 17**)

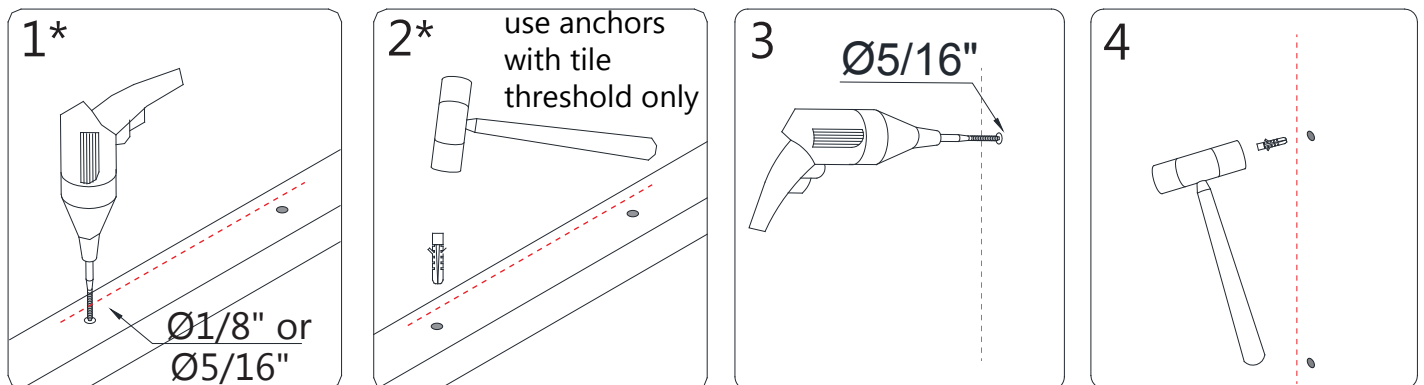


**Fig 17**



**17.** Drill the holes into the threshold and wall:

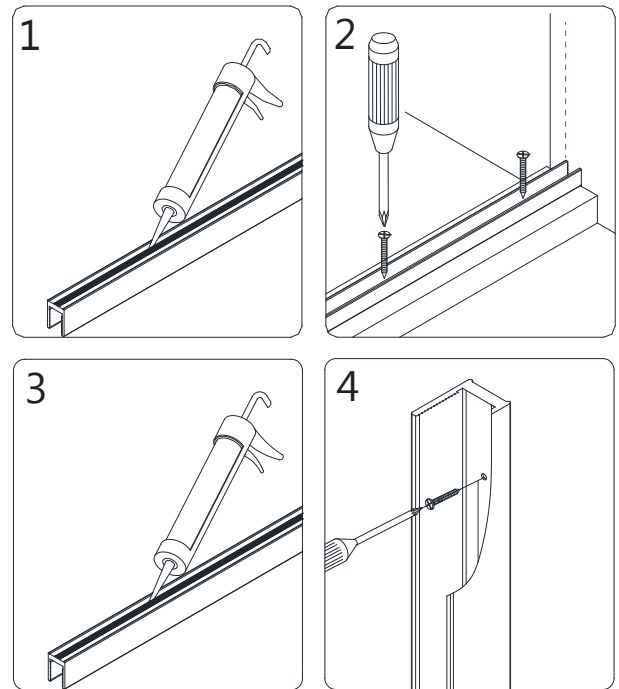
- **Ø1/8"** holes into the threshold for an acrylic base (**or Ø5/16"** holes and **anchors for a tile threshold**)
- **Ø5/16"** holes into the wall and insert the **Wall Anchors (#13)**. (**Fig 18**)



**Fig 18**

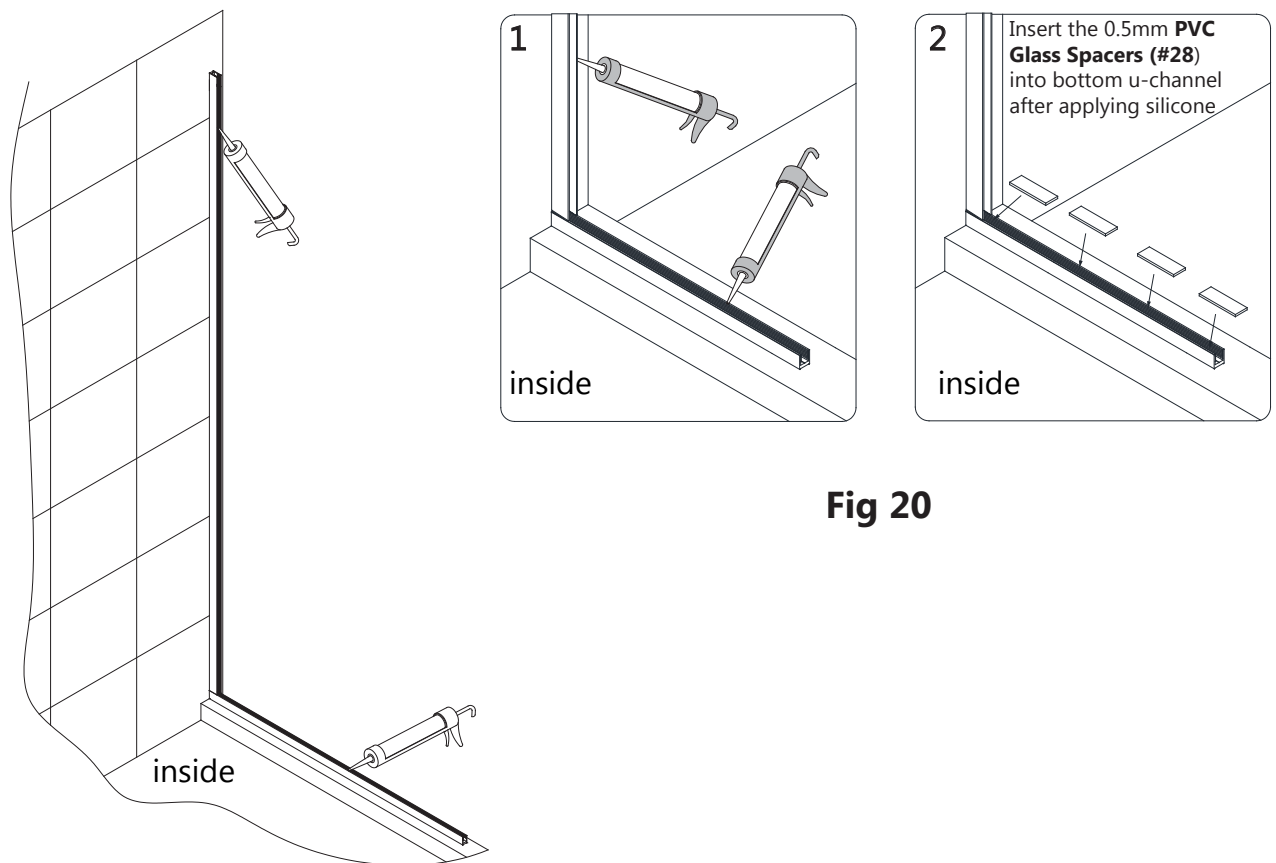
**18.** Add silicone to the back surface of the U-Channels and install using the **ST4.2 x 40 Countersunk Screws (#23)** (**Fig 19**):

- Install the bottom **U-channel 2 (#29)** first
- then Install the vertical **U-channel 1 (#09)**



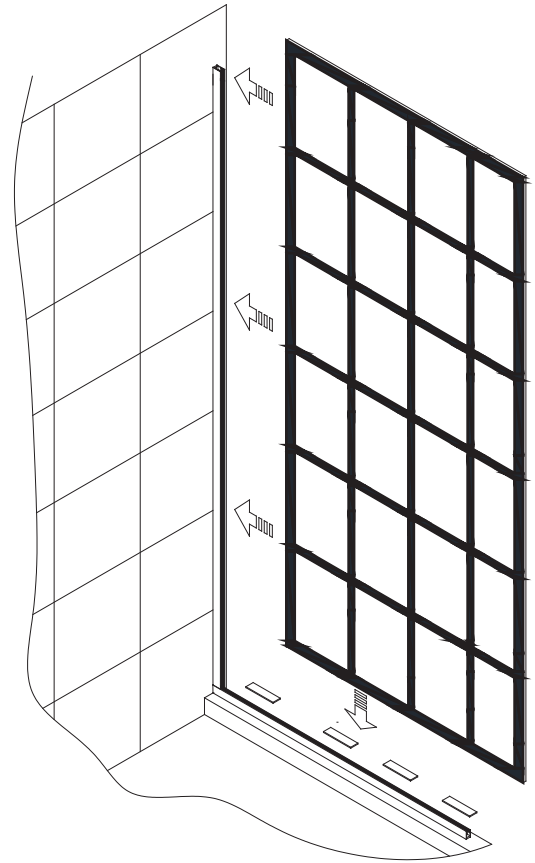
**Fig 19**

**19.** Apply silicone into the **U-Channels**. Add 2" pieces of the **0.5mm PVC glass spacers (#28)** into the bottom **U-Channel 2 (#29)**. (**Fig 20**)



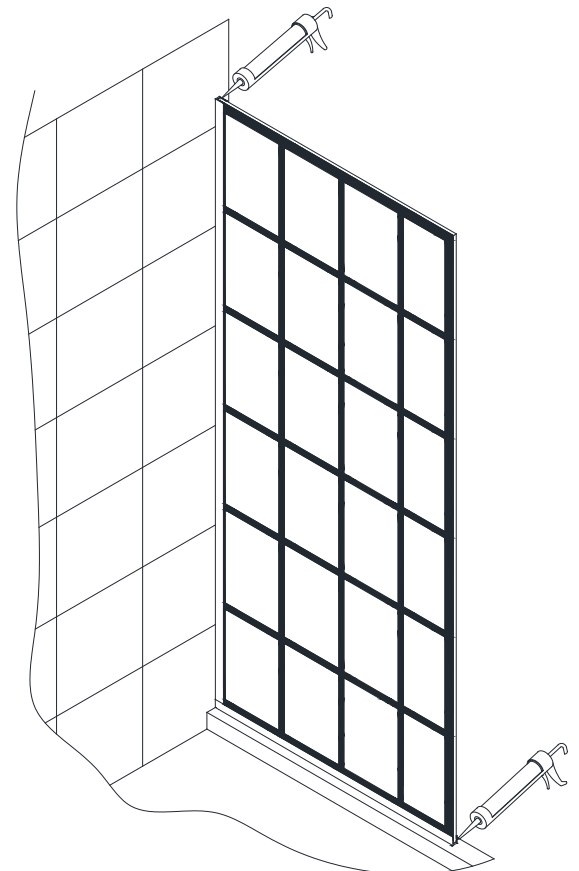
**Fig 20**

**20.** Gently set the **Stationary Panel Glass (#11)** down onto the **0.5mm PVC glass spacers (#28)** in the bottom **U-Channel 2 (#29)** and push the **Stationary Panel Glass (#11)** tight into the vertical **U-Channel 1 (#09)** so that the edge of the **Stationary Glass (#11)** is flush with the end of the bottom **U-Channel 2 (#29)**. (**Fig 21**)



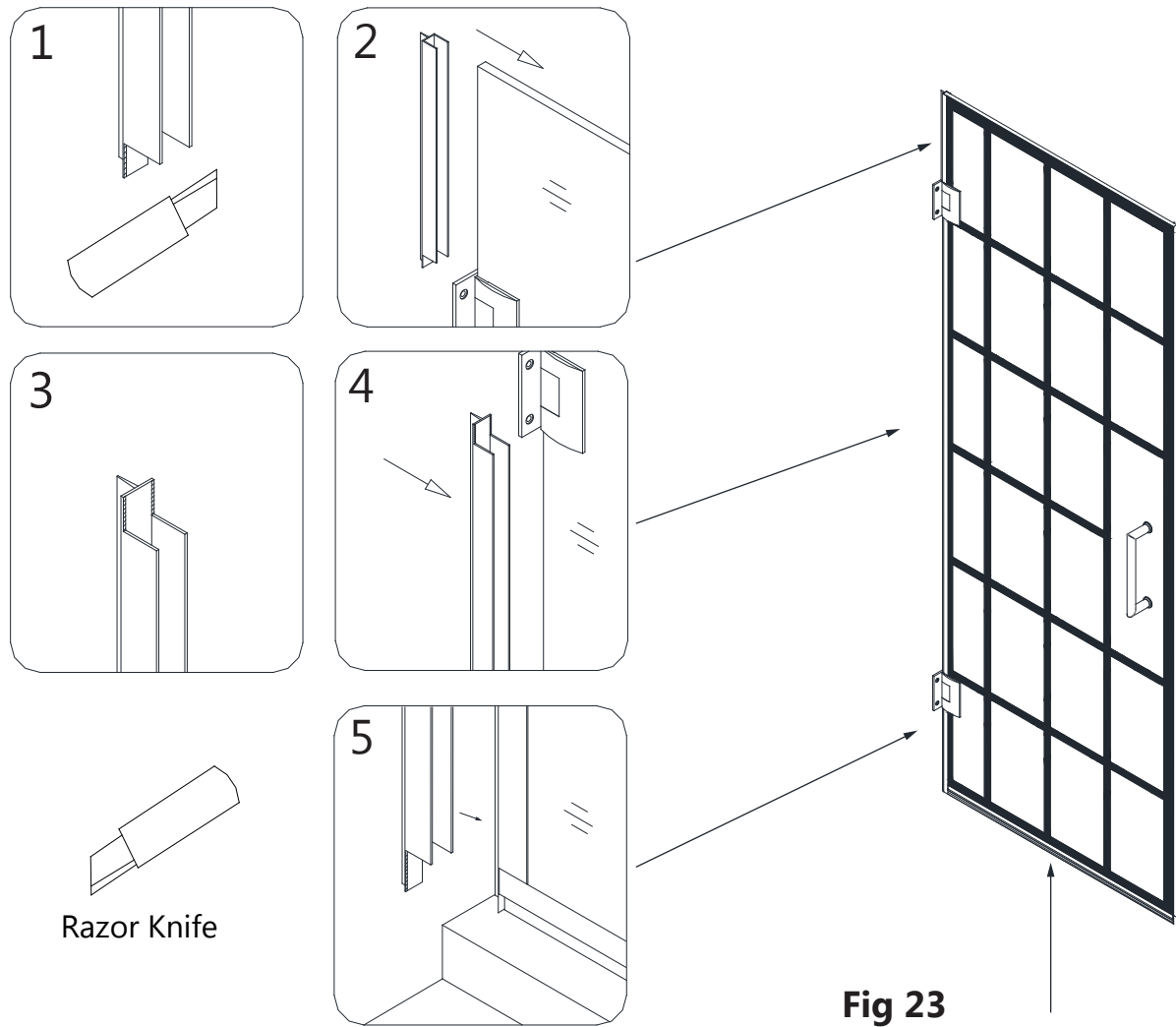
**Fig 21**

**21.** Apply a small amount of silicone to the exposed ends of the U-Channels if necessary. (**Fig 22**)

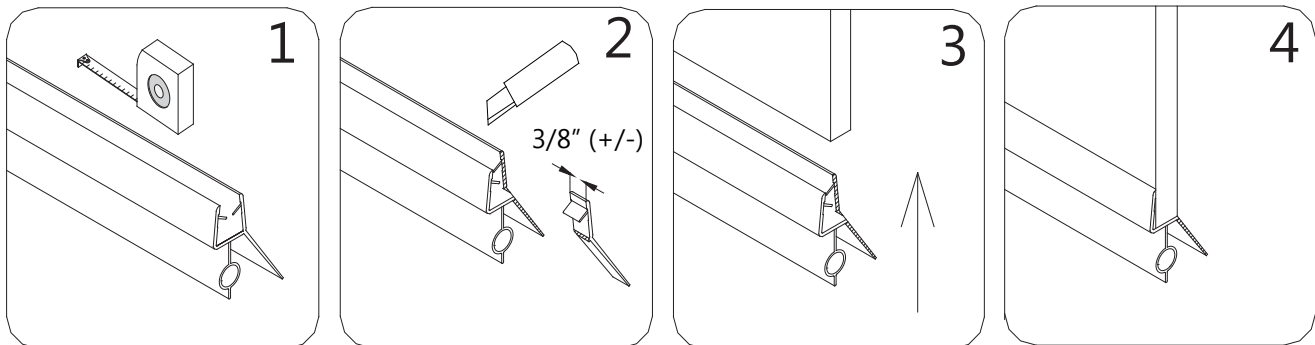


**Fig 22**

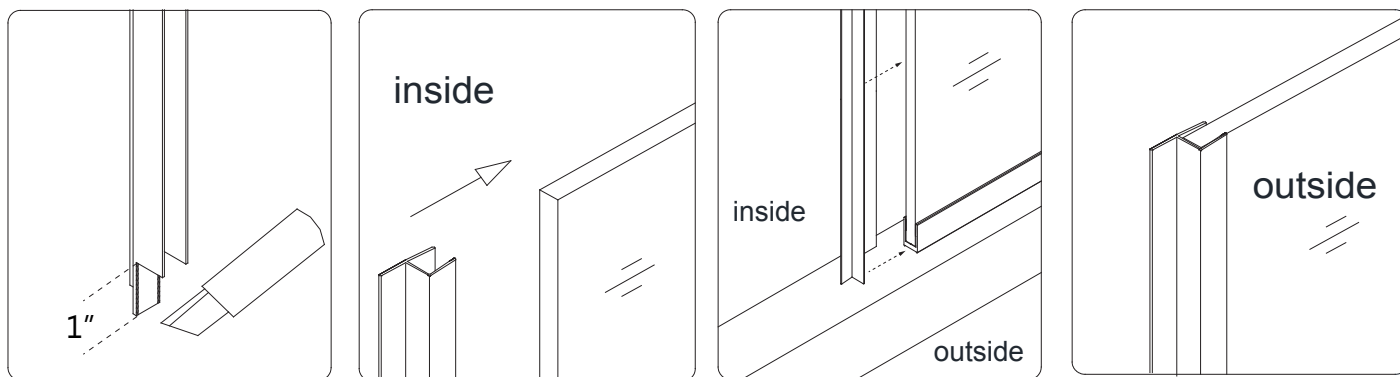
**22.** Use a razor knife to notch the **Side Strip (#06)** to fit around the hinges and sweep vinyl as shown. Open the Door and attach the **Side Strip (#06)** to the hinge-side of the **Door Glass (#01)**. (Fig 23)



**23.** Cut the **Bottom anti-water strip (#07)** to the width of the **Door Glass (#01)**. Notch approximately **3/8"** off of the inner side of the **Bottom Anti-Water Strip (#07)** where it will overlap the strike vinyl as shown. Press the **Bottom Anti-Water Strip (#07)** tightly onto the bottom edge of the **Door Glass (#01)**. (Fig 24)



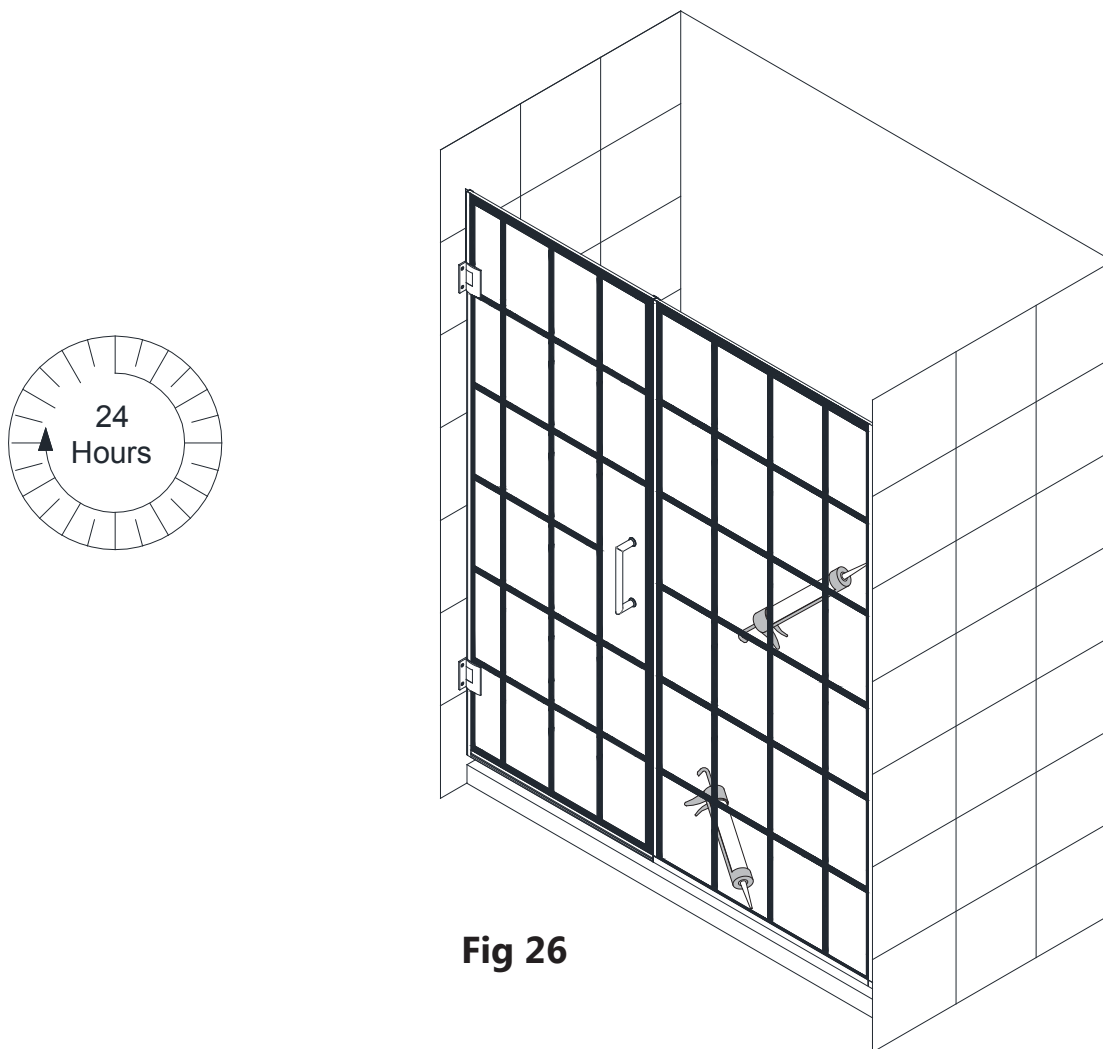
**24.** Notch the **Anti-Water Strip (inline panel) (#19)** to fit around the bottom **U-Channel 2 (#29)** as shown. Push the strike vinyl tightly onto the edge of the **Stationary Panel Glass (#11)**. (**Fig 25**)



**Fig 25**

**25.** From inside the shower, apply a good quality mildew-resistant silicone where the u-channels meet the walls and threshold. Silicone may also be applied on the outside of the u-channels if desired.

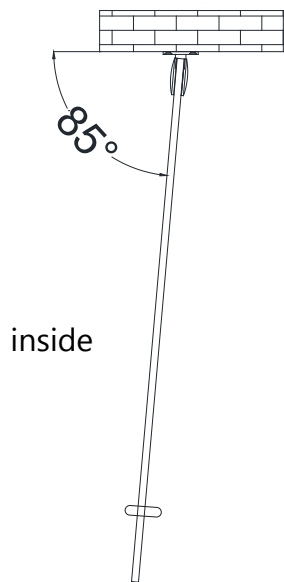
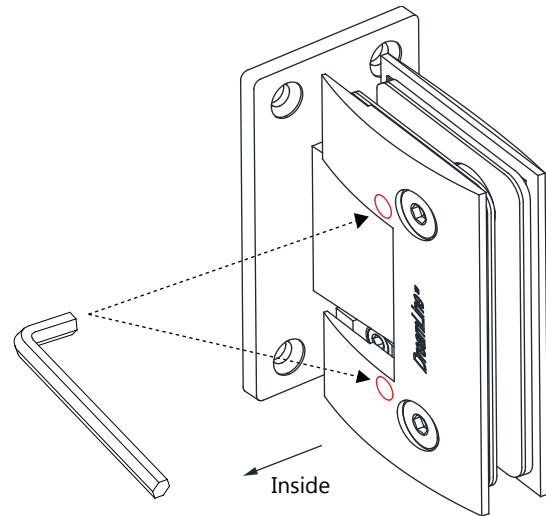
**(Fig 26)**



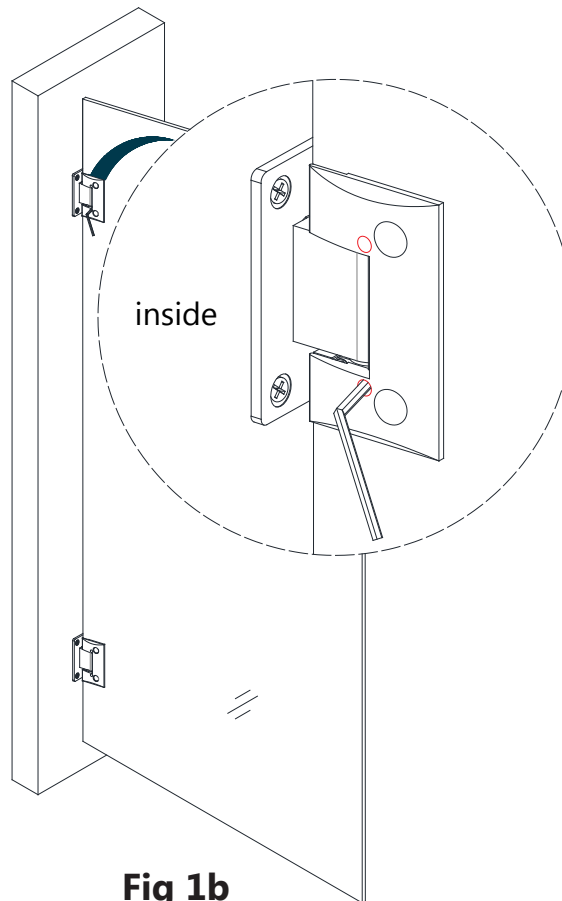
**Fig 26**

## Setting the Adjustable Hinges

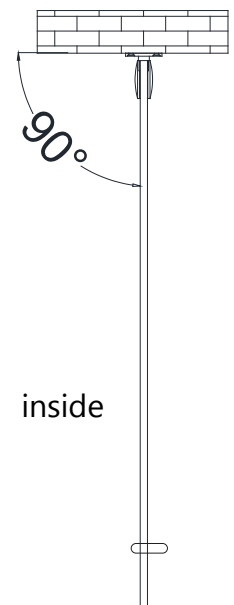
**1)** The adjustable hinges are pre-set to overclose to 85° and are adjustable up to 90° after the door is installed. (Strike vinyl must be used when the hinges are set to overclose).



**Fig 1a**



**Fig 1b**



**Fig 1c**

**2)** The hinges are factory set to 85° (**Fig 1a**). The closing angle can be changed by using the adjustment screws on the hinge faceplate.

**3)** Use the supplied Allen key to loosen the adjustment screws on the inside faceplates (**Fig 1b**), adjust the door to the desired closing angle (90° for example), then re-tighten the adjustment screws (**Fig 1b**). Be sure to create a tight seal with the strike vinyl when the door is in the closed position.

## Product Maintenance

**BASES and BACKWALLS:** To ensure long-lasting life for your acrylic back walls, wipe them off after each use with a soft cloth. To clean the acrylic back walls use non-abrasive sprays or cream based cleaners. Avoid the use of aerosol spray cleaners. Never use abrasive cleansers, metal brushes or scrapers that could scratch or dull the surface.

**GLASS:** To ensure long-lasting life for your glass shower products, wipe them off after each use with a soft cloth. Rinse and wipe off the glass using either a soft cloth or a squeegee to prevent soap buildup and water spots (Hard water can etch the surface of the glass over time if left to dry). To prevent scratching the surface: never use abrasive cleaners or cleaning products that contain scouring agents. Never use bristle brushes or abrasive sponges that may scratch the surface.

**HARDWARE:** To ensure a long-lasting finish, wipe off the metal parts after each use with a soft cloth. Do not use abrasive cleaners or cleaning products containing ammonia, bleach or acid. If accidentally used, rinse the surface as soon as possible to prevent damage to the finish (peeling or corrosion). After cleaning the polished finishes, rinse thoroughly and wipe dry with soft cloth. Clean stainless steel surfaces at least once a week. When applying stainless steel cleaner or polish to stainless steel hardware, work with (not across) the grain. Never use an abrasive sponge or cloth, steel wool or wired brush as these may permanently scratch the surfaces.

**NOTE: To maximize the life of your door, it is important to regularly inspect the glass and all hardware for misalignment, proper attachment, and/or damage. Contact DreamLine® with any questions or concerns.**

**DreamLine® shower doors and enclosures are designed not to leak when installed properly and the flow of water is not pointed directly at the wall mounted hinges or vinyl seals.**





**DREAMLINE**<sup>®</sup>  
THE ULTIMATE SHOWER DOOR

TEL: 866-731-2244  
FAX: 866-857-3638  
DREAMLINE.COM

For more information on DreamLine<sup>®</sup> Shower Doors and Enclosures please visit **DreamLine.com**