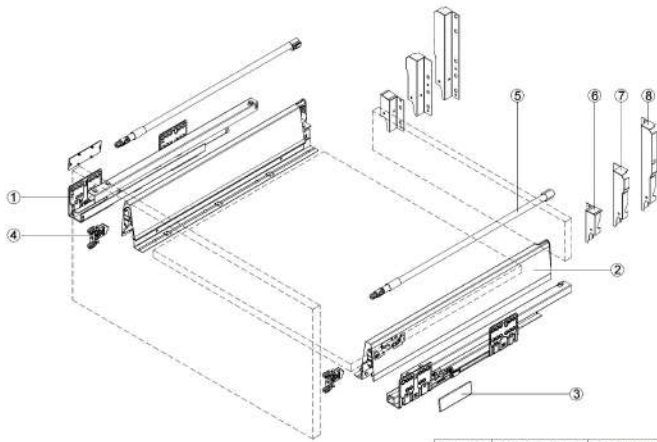


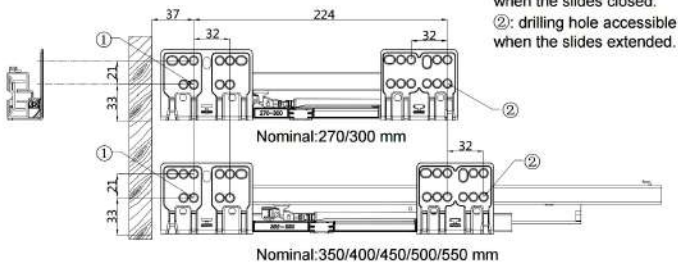
## Components



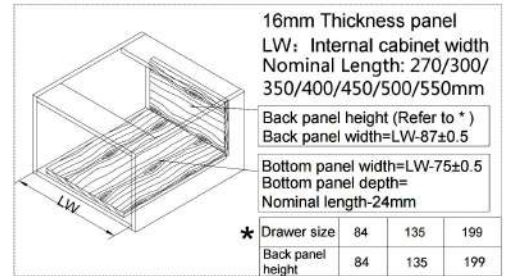
- |                           |                                 |
|---------------------------|---------------------------------|
| 1.Cabinet profiles: (L/R) | 6.BL84 Rear connecting bracket  |
| 2.Drawer profiles: (L/R)  | 7.BL135 Rear connecting bracket |
| 3.Side cover plate        | 8.BL199 Rear connecting bracket |
| 4.Front fixing brackets   |                                 |
| 5.Gallery tube            |                                 |

Nominal size	Internal drawer depth	Min. internal cabinet depth
270mm	244mm	280mm
300mm	274mm	310mm
350mm	324mm	360mm
400mm	374mm	410mm
450mm	424mm	460mm
500mm	474mm	510mm
550mm	524mm	560mm

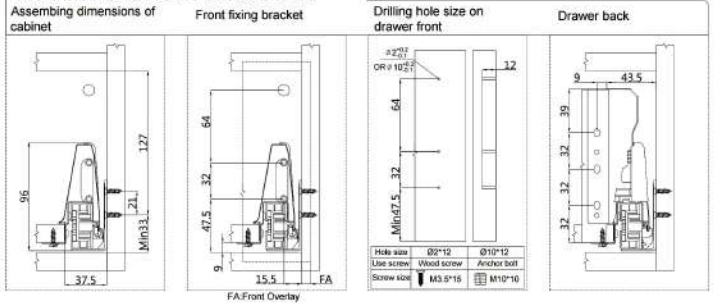
## Slide installation



## Bottom and back panels measurement



## 135mm Installation dimensions



## 199mm Installation dimensions

