

PRODUCT SPECIFICATIONS

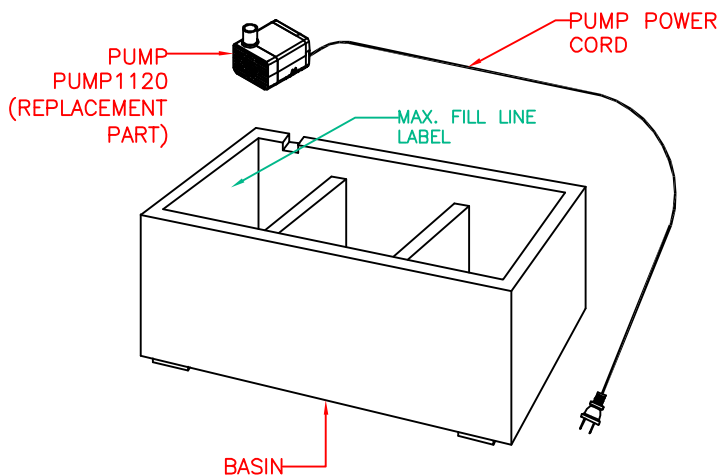
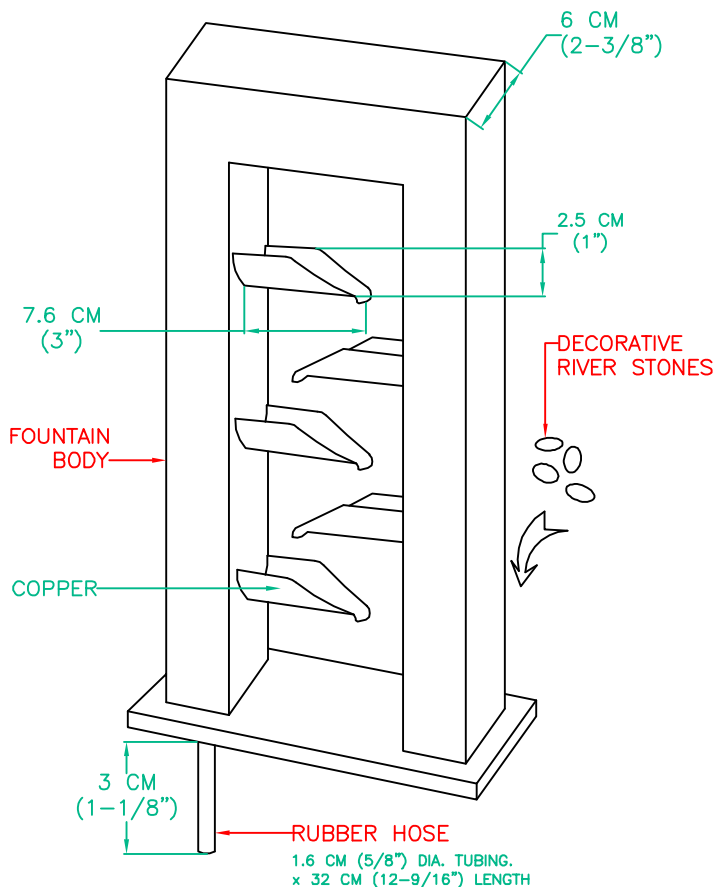
- OVERALL ASSEMBLED DIMENSIONS**
HEIGHT: 48.3 CM (19"), WIDTH: 25.4 CM (10"), EXTENSION: 15.2 CM (6").
- PUMP:** UL LISTED. 120V, 60HZ, 4 WATT. MODEL: PT-1020, SUBMERSIBLE FOUNTAIN PUMP, FLOW RATE: 53 GPH. HEAD: 55 CM (21-5/8") HEIGHT.
- FOUNTAIN BODY:** NATURAL RUSTY GREEN SLATE, WIDTH: 22.2 CM (8-3/4"), HEIGHT: 40.6 CM (16"), EXTENSION: 12 CM (4-3/4").
- BASIN:** NATURAL RUSTY GREEN SLATE, 25.4 CM (10") WIDTH x 10.1 CM (4") HEIGHT x 15.2 CM (6") EXTENSION. SHAPED AS SHOWN. PLASTIC WASHERS INSTALLED ON BOTTOM OF BASIN.
- DECORATIVE STONES:** A BAG OF POLISHED RIVER STONES (2~3 CM, 1.8 LBS.) INCLUDED.
- PUMP POWER CORD:** UL LISTED, FROM PUMP TO PLUG: MIN. 2 M (6.5 FEET) LENGTH. 18 AWG., 2 CONDUCTORS, 105°C, TYPE SPT-1W, WATER PROOF. BLACK COLOR. COPPER MATERIAL. WIRES MUST BE LEAD FREE.
- LABELS:** MANUFACTURING DATE, MODEL # AND COUNTRY OF ORIGIN LABEL PROVIDED, WARNING LABEL FOR PARTS AND PARTS ARROW LABEL WERE STUCK ON INSIDE OF BOX.

PACKAGING AND SHIPPING DETAILS

- THE FOUNTAIN AND PUMP ARE CAREFULLY WRAPPED IN A PLASTIC BAG AND PLACED SECURELY IN THE INNER PACKING SO THEY CAN NOT MOVE DURING SHIPPING.
- THE CARTON IS MADE OF DOUBLE WALL CORRUGATED CARDBOARD "K MA A". BROWN IN COLOR. THE INNER PACKING IS CASTING POLYFOAM TO PROTECT AND SECURE THE FOUNTAIN AND MUST PASS THE FEDEX AND ISTA-3A DROP TEST REQUIREMENTS.
- EACH CARTON SHALL BE PRINTED WITH A LINE DRAWING AND THE KENROY HOME NAME, LOGO AND CUSTOMER SERVICE PHONE NUMBER (FOUNTAIN HELP LINE - 904.642.4340), MODEL NUMBER FINISH, EACH CARTON SHALL BE PROVIDED A UPC LABEL. THE UPC BAR CODE AS FOLLOWS: 053392984526.

OTHER DETAILS

- MODEL 51008SLCOP INSTRUCTIONS ARE TO BE PACKED WITH EACH FOUNTAIN. INSTRUCTIONS MUST BE PRINTED CLEARLY ON QUALITY PAPER.
- ALL VISIBLE PARTS MUST MATCH FOUNTAIN FINISH UNLESS OTHERWISE SPECIFIED.
- ALL BAGS MUST BE LABELED WITH OFFICIAL "THIS BAG IS NOT A TOY" STATEMENT.
- ASSEMBLY TIME: 5 MINUTES.
- DIMS OF BOX: 48.9 CM (19-1/4") LENGTH x 29.2 CM (11-1/2") WIDTH x 30.5 CM (12") HEIGHT. (CUFT.: 1.54')
- NET WEIGHT: 21.5 LBS. GROSS WEIGHT: 25 LBS.
- THIS FOUNTAIN IS RATED FOR INDOOR USE ONLY.



**AVAILABLE PART IS:
PUMP1120 (PUMP)**

A 7 cm length x 4 cm width hang tag should be hung on the fountain. The hang tag should be read as below:

Kenroy Home's natural slate pieces are hand crafted and cut one at a time. They are distinctive with the inherent color and textural variations created by nature.

**KENROY
HOME**

3723 Regent Boulevard
JACKSONVILLE, FL. 32224
PHONE: 904-642-4340
FAX: 904-642-4150

THIS DOCUMENT AND THE INFORMATION THAT IT DISCLOSES IS THE EXCLUSIVE PROPERTY OF KENROY HOME. ANY REPRODUCTION OR USE OF THIS DRAWING IN PART OR IN WHOLE, WITHOUT THE EXPRESS CONSENT OF THE PROPRIETOR IS PROHIBITED. © 2018 KENROY HOME.

DATE: 1/11/2018

SCALE: NONE

DRAWN BY: ARVIN

REFERENCE:
SPILLWAY INDOOR TABLE FOUNTAIN

APPROVAL:

REVISION DATE:

MODEL #:

REVISION DATE:

51008SLCOP

REVISION DATE:

FINISHES:
SLATE AND COPPER

REVISION DATE:

PAGE: 1 OF 1