




LED CLASSIC FIXTURE

LED "CLASSIC" SERIES

INSTRUCTIONS PERTAINING TO RISK OF FIRE OR INJURY TO PERSONS
READ ALL INSTRUCTIONS



IMPORTANT SAFETY INSTRUCTIONS
SAVE THESE INSTRUCTIONS

TOOLS AND MATERIALS REQUIRED:



Phillips Screwdriver



Wire Cutters

Wiring supplies as required by electrical code

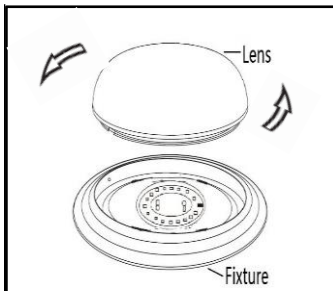


Pliers

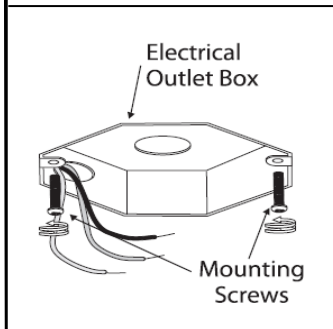
SAFETY PRECAUTIONS:

1. TURN OFF ELECTRICAL POWER BEFORE STARTING INSTALLATION OF LIGHT FIXTURE.
2. THIS PRODUCT MUST BE INSTALLED IN ACCORDANCE WITH THE APPLICABLE INSTALLATION CODE BY A CERTIFIED ELECTRICIAN FAMILIAR WITH LOCAL MUNICIPAL CODES AND REQUIREMENTS.
3. CAUTION - RISK OF ELECTRIC SHOCK. CONSULT A QUALIFIED ELECTRICIAN TO ENSURE CORRECT BRANCH CIRCUIT CONDUCTOR.
4. WARNING, THIS IS A LINE VOLTAGE MODEL AND DOES NOT AND CANNOT USE A DRIVER.
5. LINE VOLTAGE MODELS ALREADY HAVE A POWER SUPPLY CHIP BUILT INTO THE LED ARRAY.

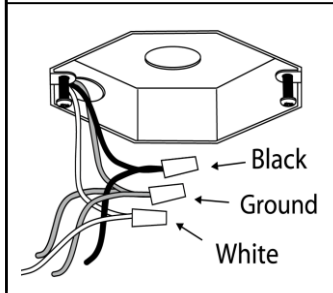
INSTALLATION



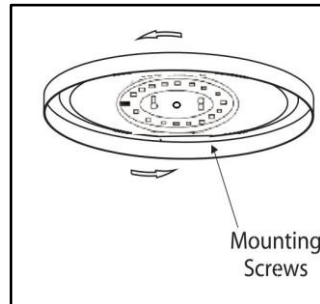
1. Remove plastic lens by gently rotating and lifting.



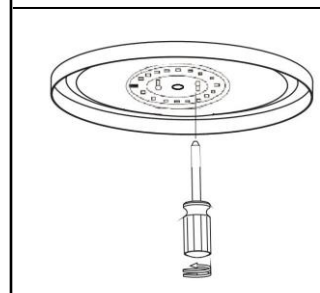
2. Place mounting screws (included) in electrical box screwing in halfway.



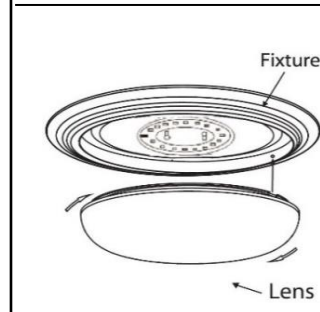
3. Using wire nuts to connect ground wire (green) from fixture and LED board to ground wire from electrical box. Connect black wire from fixture to black wire from electrical box. Connect white wire from fixture to white wire from electrical box.



4. Attach fixture to mounting screws, turn fixture counter-clockwise to lock.



5. Secure fixture by tightening mounting screws.



6. To install acrylic plastic lens, hold lens up to fixture, and rotate until notches in lens line up with tabs in fixture. Continue rotating until lens stops.

This LED Light is compatible to be dimmed by Leviton# 6672, 6633, 6631, 6633-P, Lutron# DVCL-153P,MACL-153M,CTCL-153P, TGCL-153P. Dimming levels may vary by different dimmer.

Customer service: 888-945-5221

Do not return to the store.

Made in China