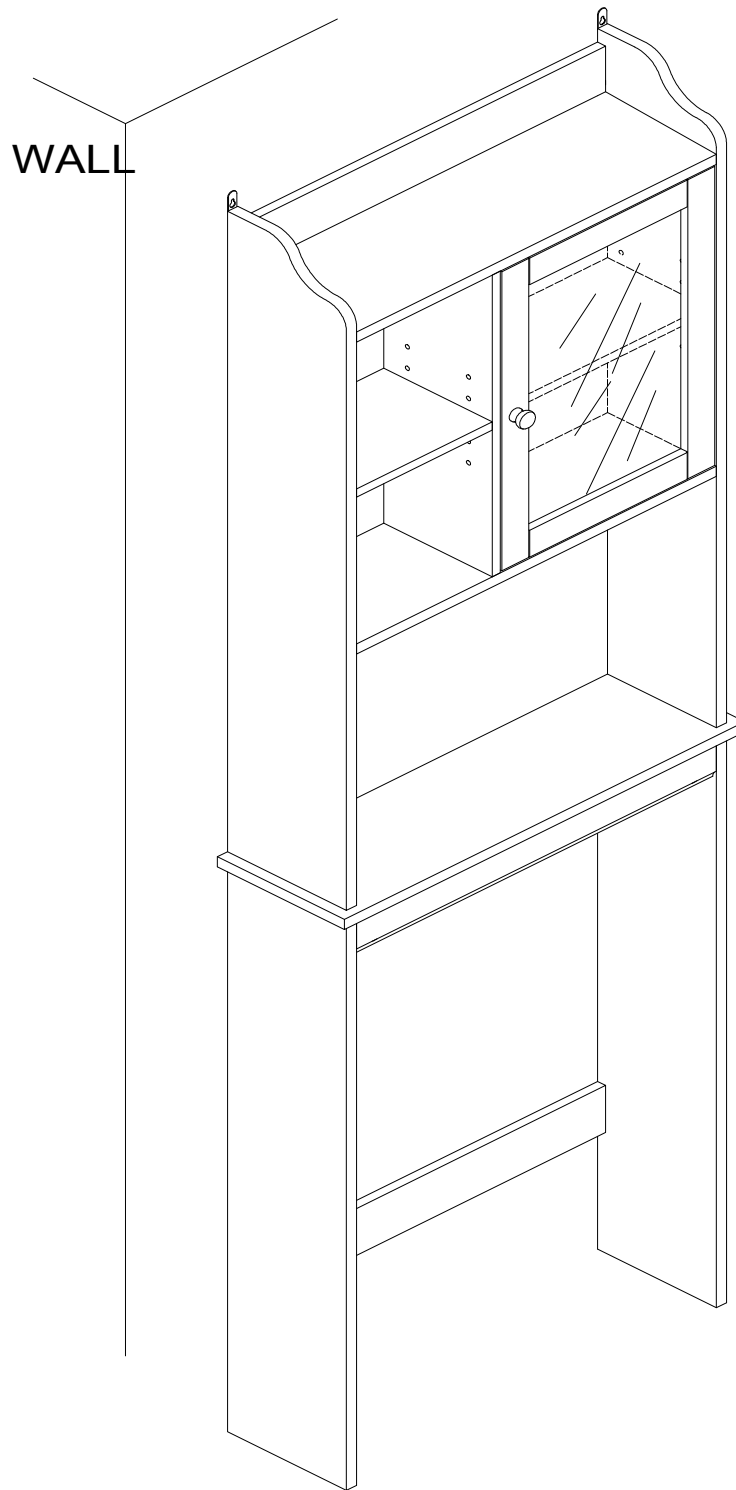


ASSEMBLY INSTRUCTIONS

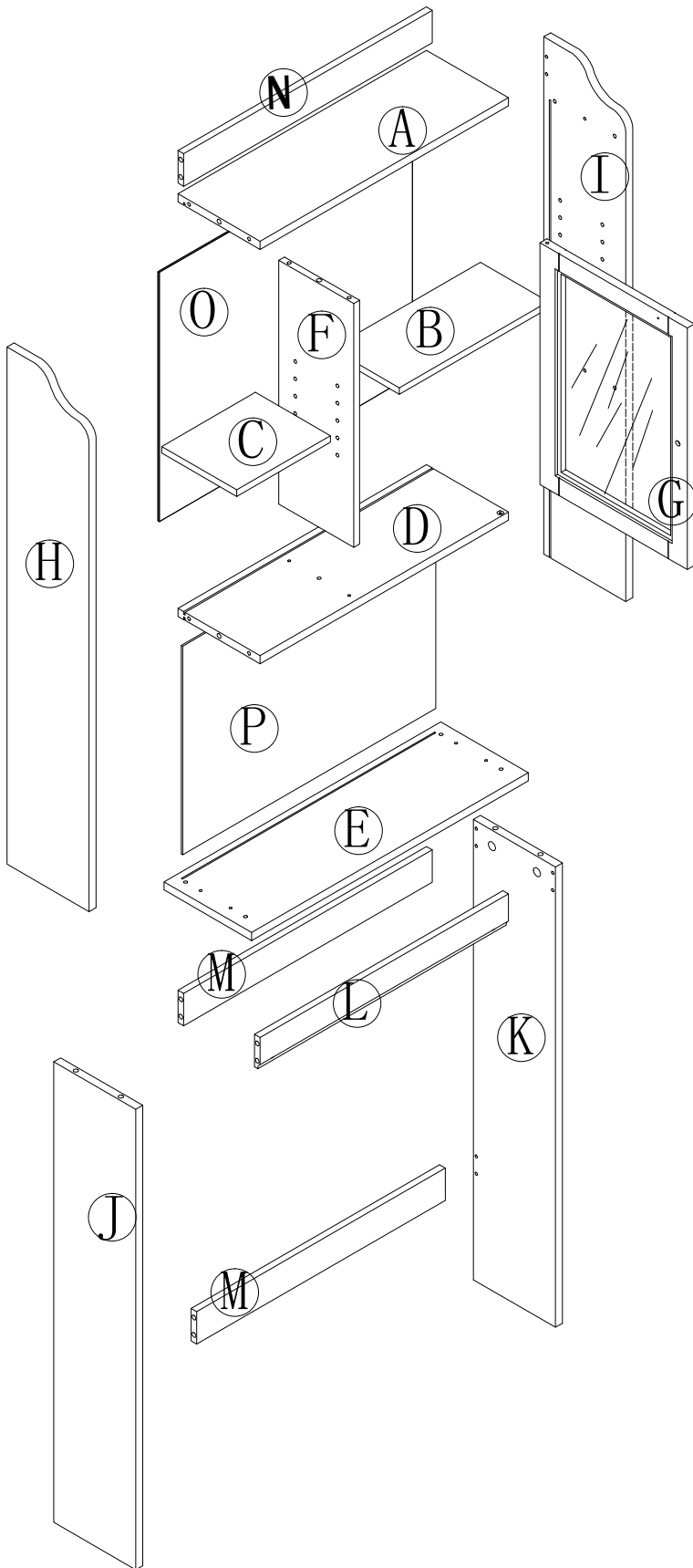
<<Before assembling, read all instructions>>


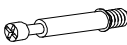


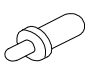

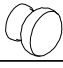
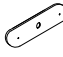



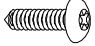

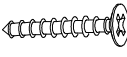
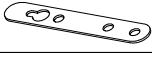





Please make sure to locate the studs in the wall before drilling any holes

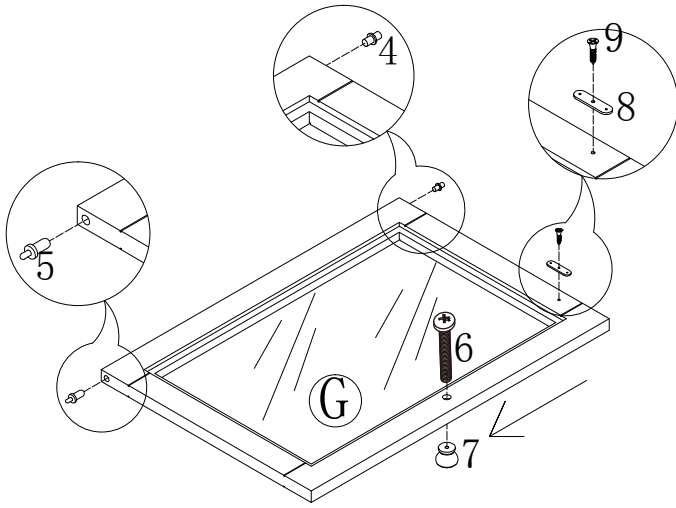
Parts List:

Hardware:



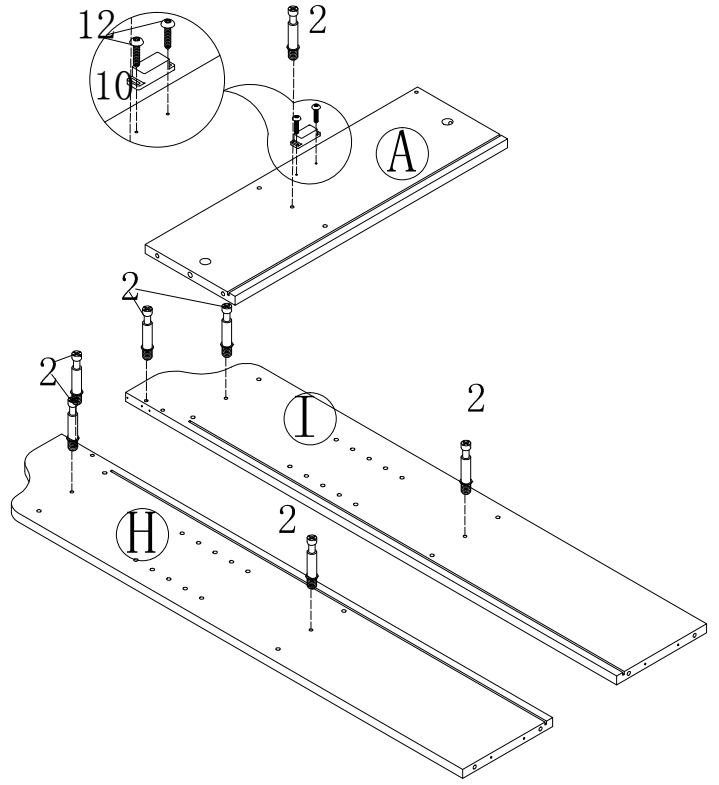
Letter	Draw	Number
1	 Ø8x30mm	24pcs
2		17pcs
3	 φ 15x9.5mm	7pcs
4		1pc
5		1pc
6	 M4x16mm	1pc
7		1pc
8		1pc
9	 φ 3x12mm	1pc
10		1pc
11		8pcs
12	 φ 3x14mm	2pcs
13	 φ 15x12mm	10pcs
14	 φ 4x35mm	6pcs
15		2pcs
16		6pcs
17		2pcs
18		2pcs

Step1



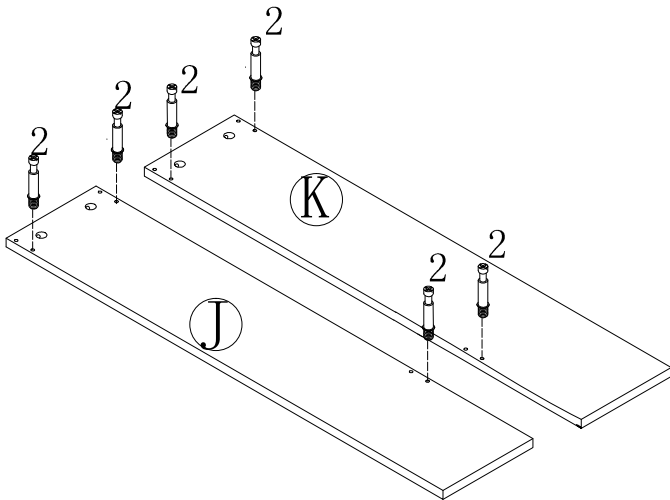
	4x1pc
	5x1pc
	6x1pc
	7x1pc
	8x1pc
	9x1pc

Step2



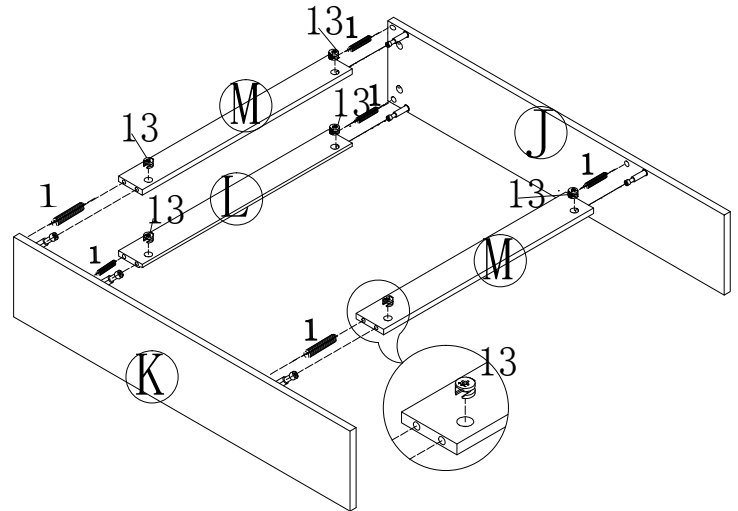
	2x7pcs
	10x1pc
	12x2pcs

Step3



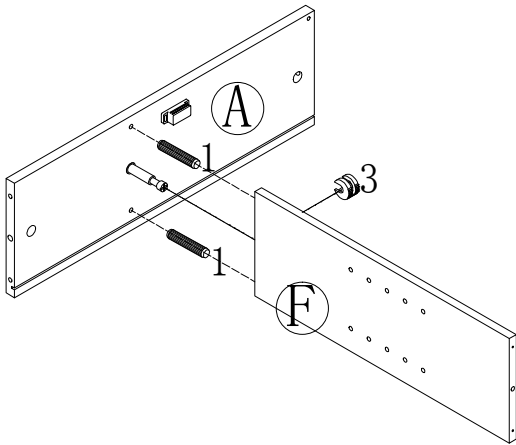
	2x6pcs
--	--------

Step4



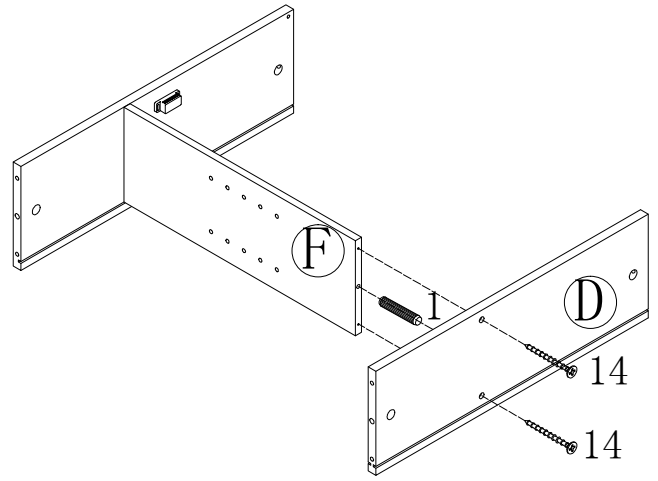
	1x6pcs
	13x6pcs

Step5



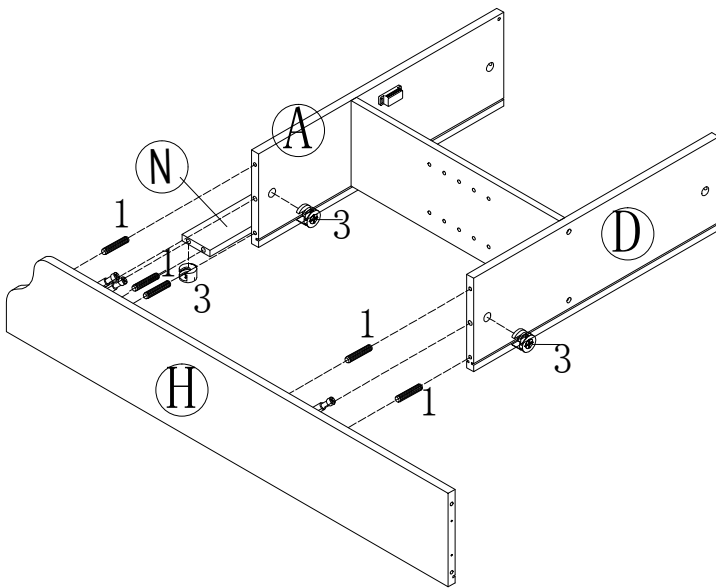
- 1x2pcs
- 3x1pc

Step6



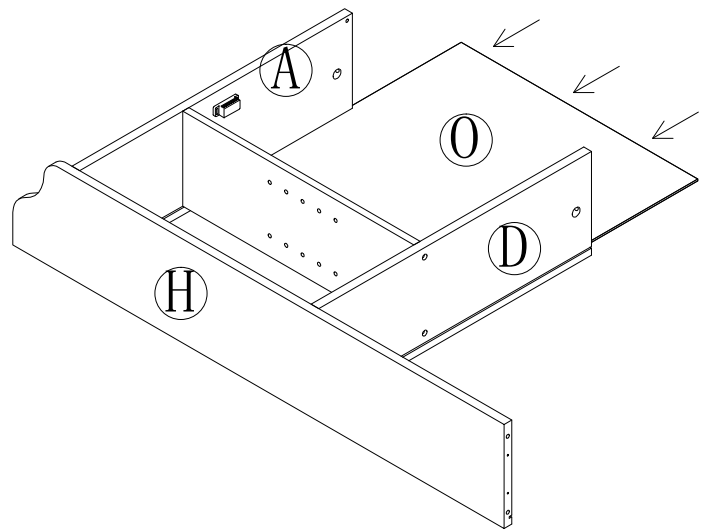
- 1x1pcs
- 14x2pcs

Step7

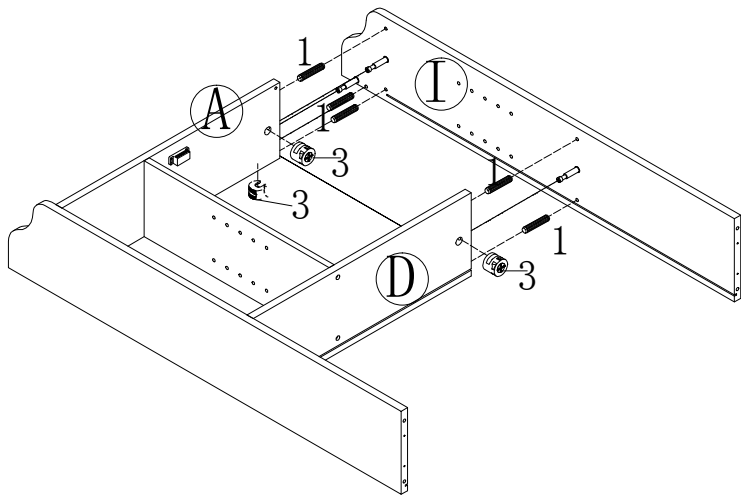




- 1x5pcs
- 3x3pcs

Step8

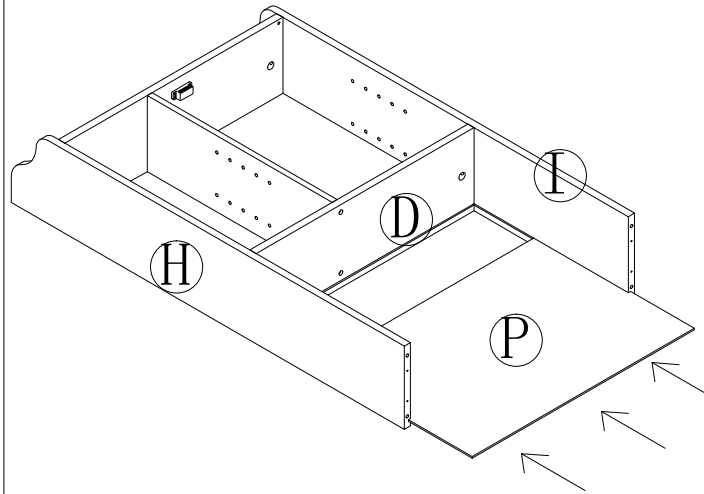


Step9

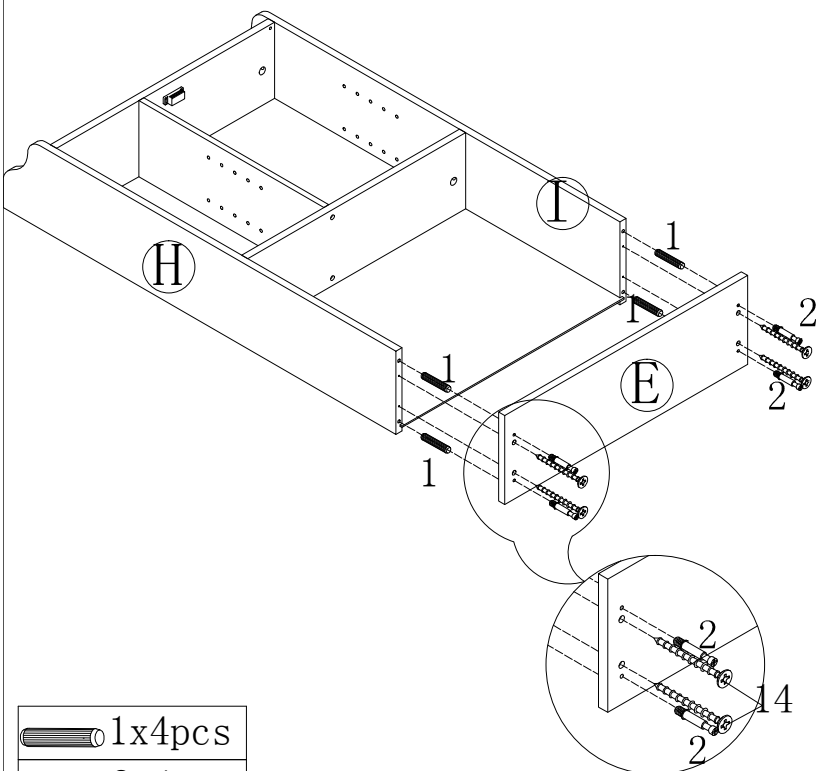




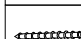
-  1x5pcs
-  3x3pcs

Step10

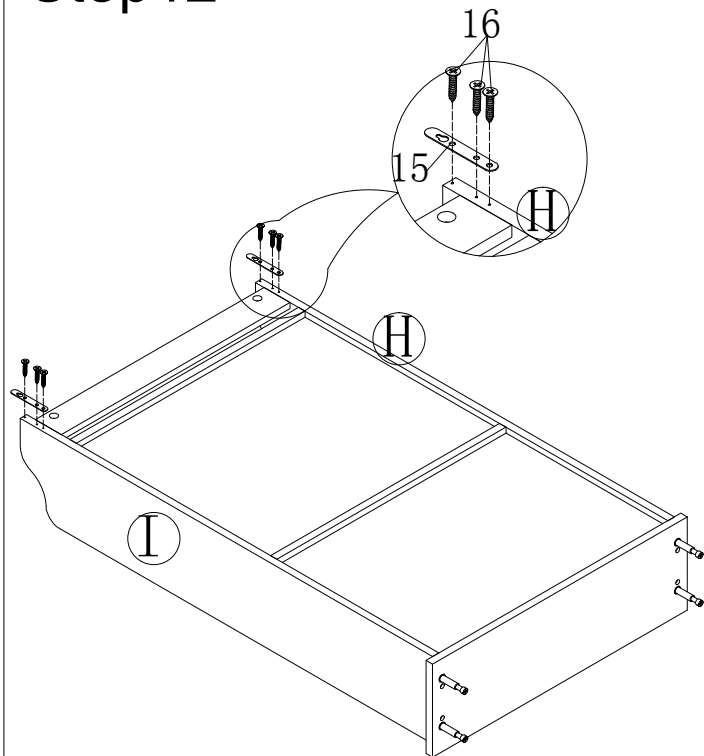




Step11



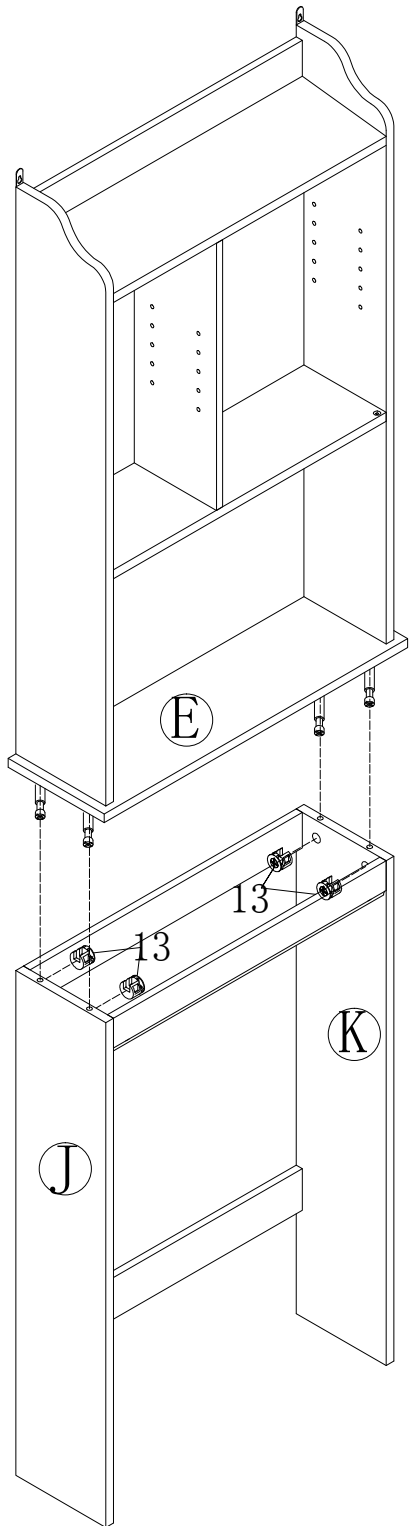
-  1x4pcs
-  2x4pcs
-  1.4x4pcs

Step12

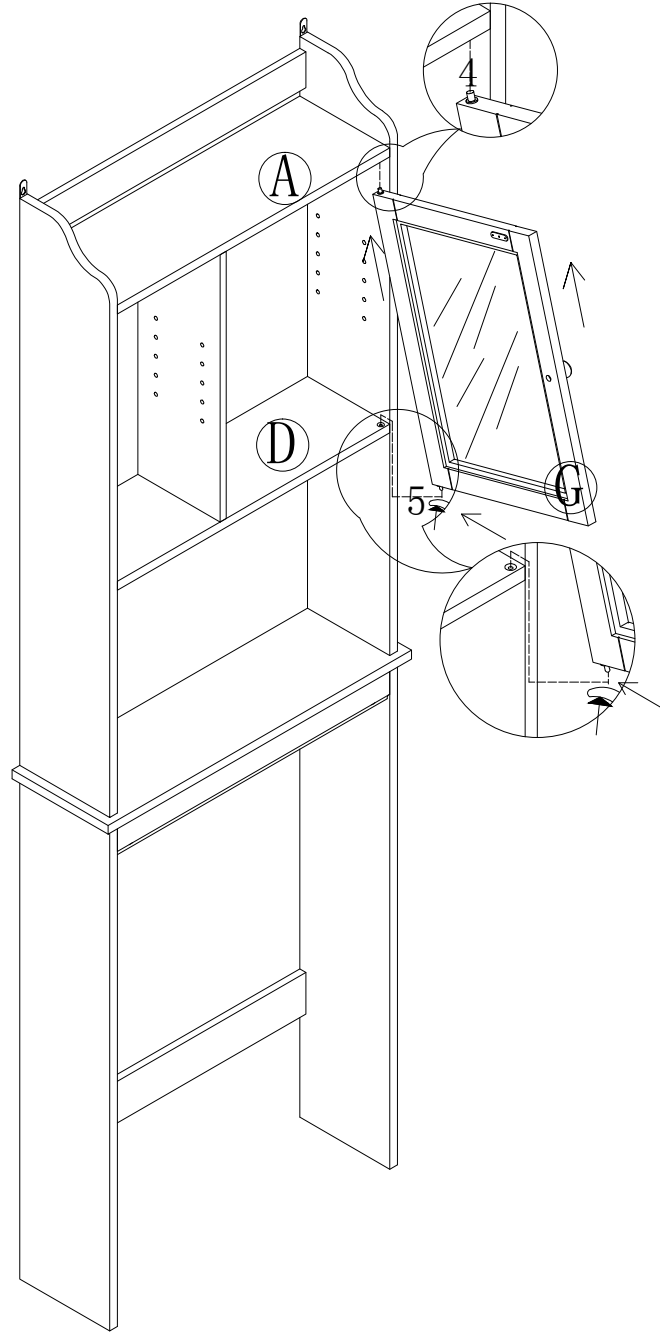


-  1.5x2pcs
-  1.6x6pcs

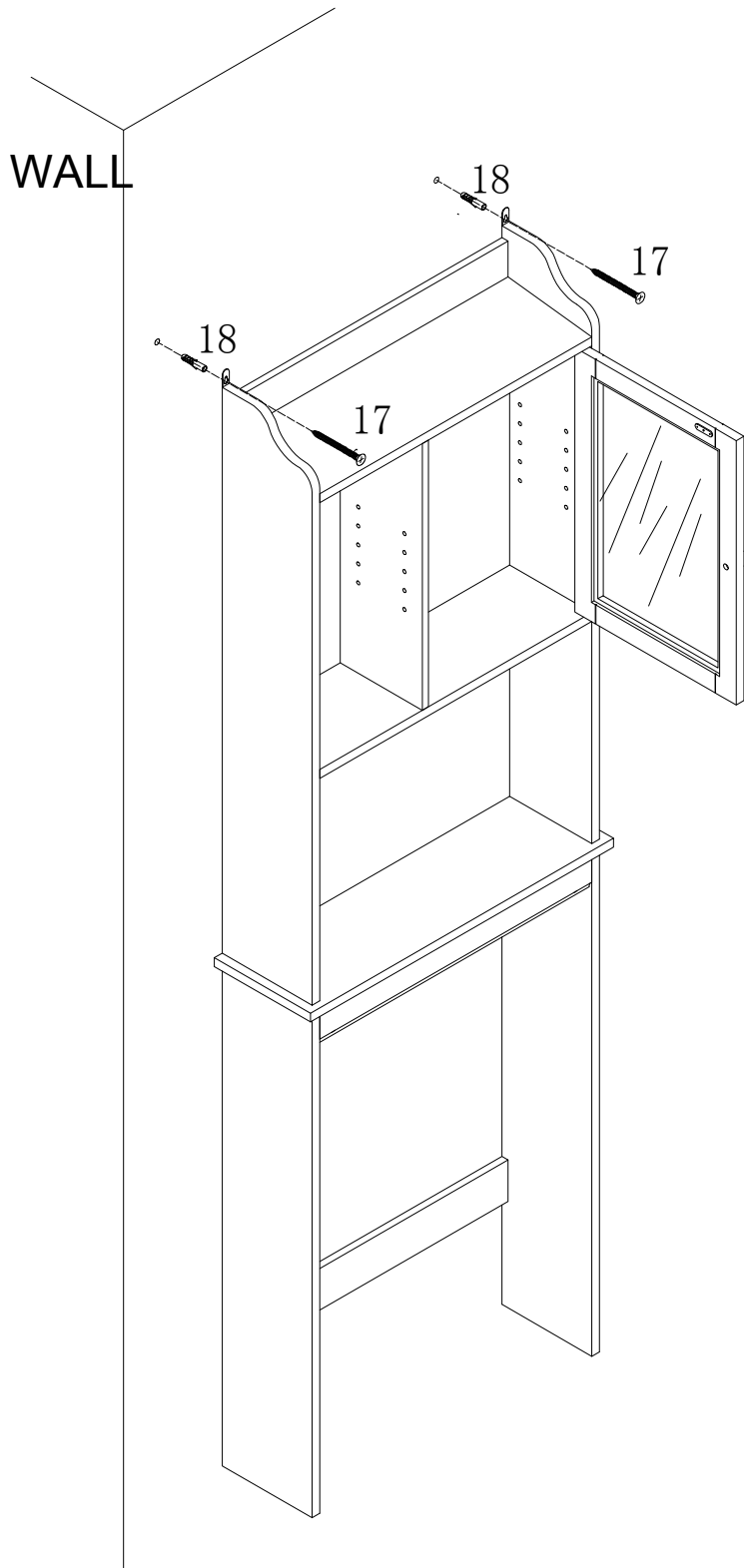
Step13





Step14



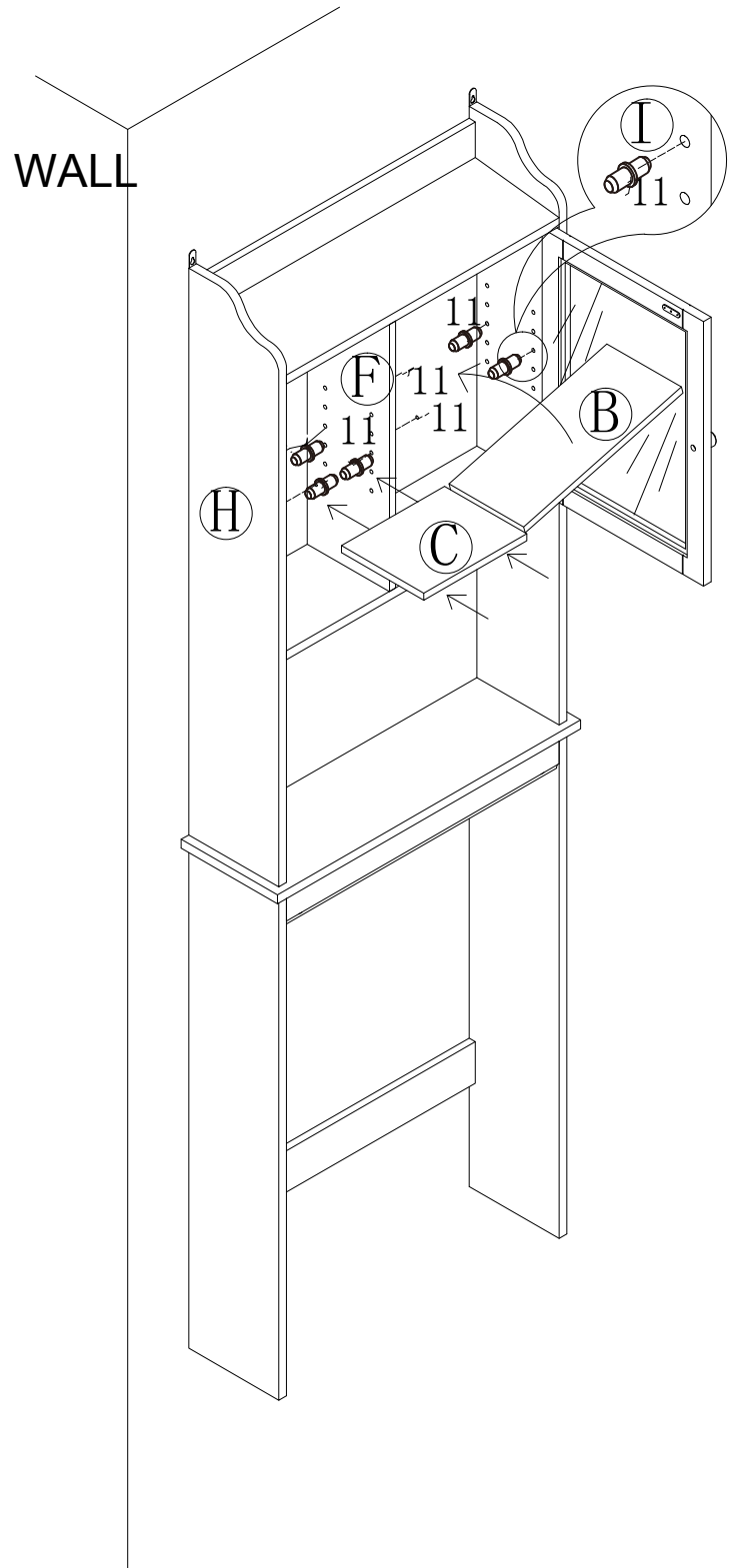
Step15




 17x2pcs

 18x2pcs

Step16



 11x8pcs