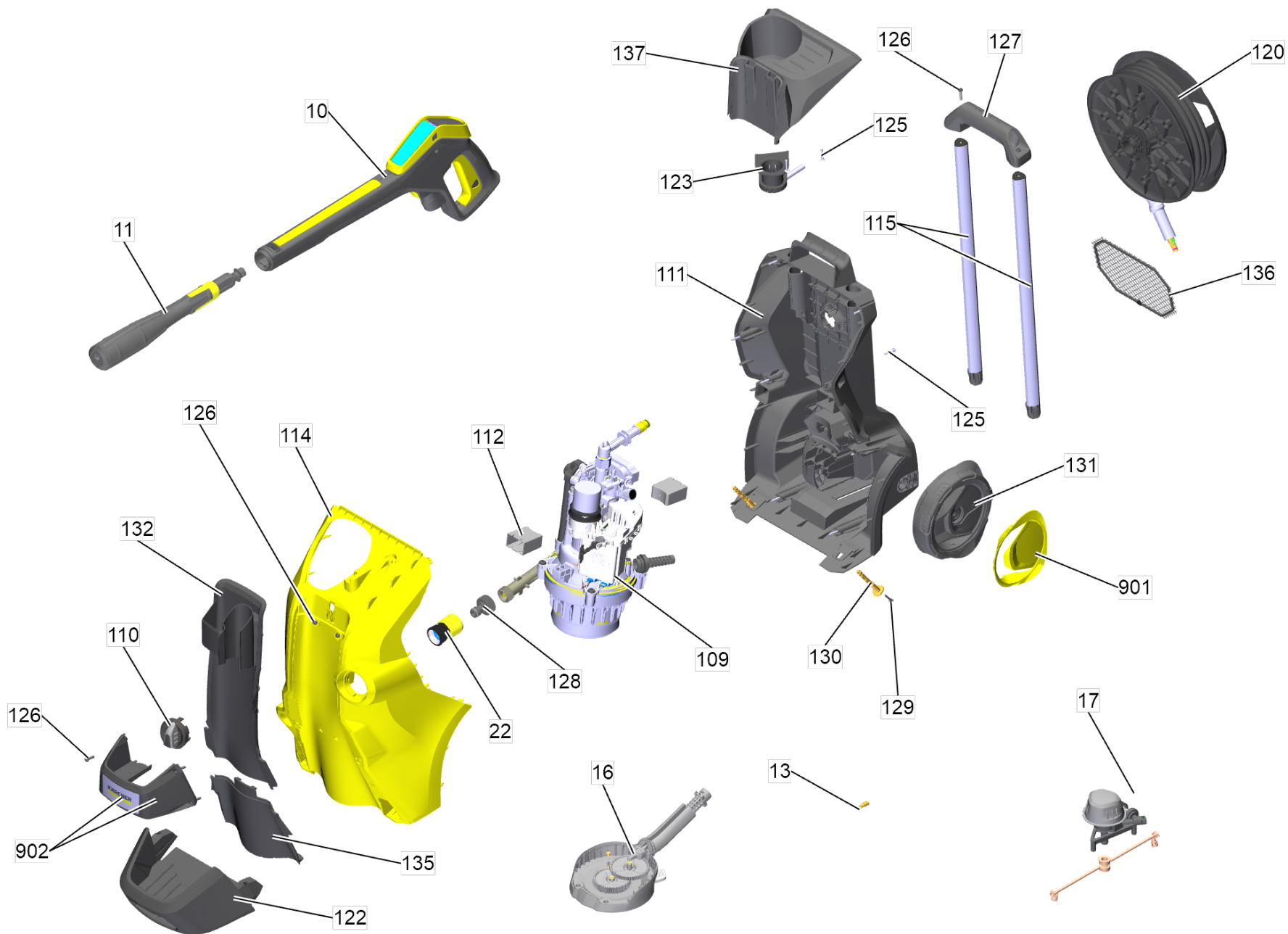


Spare parts list

(1.324-684.0) K 5 Premium Smart Control Car&Home *KNA

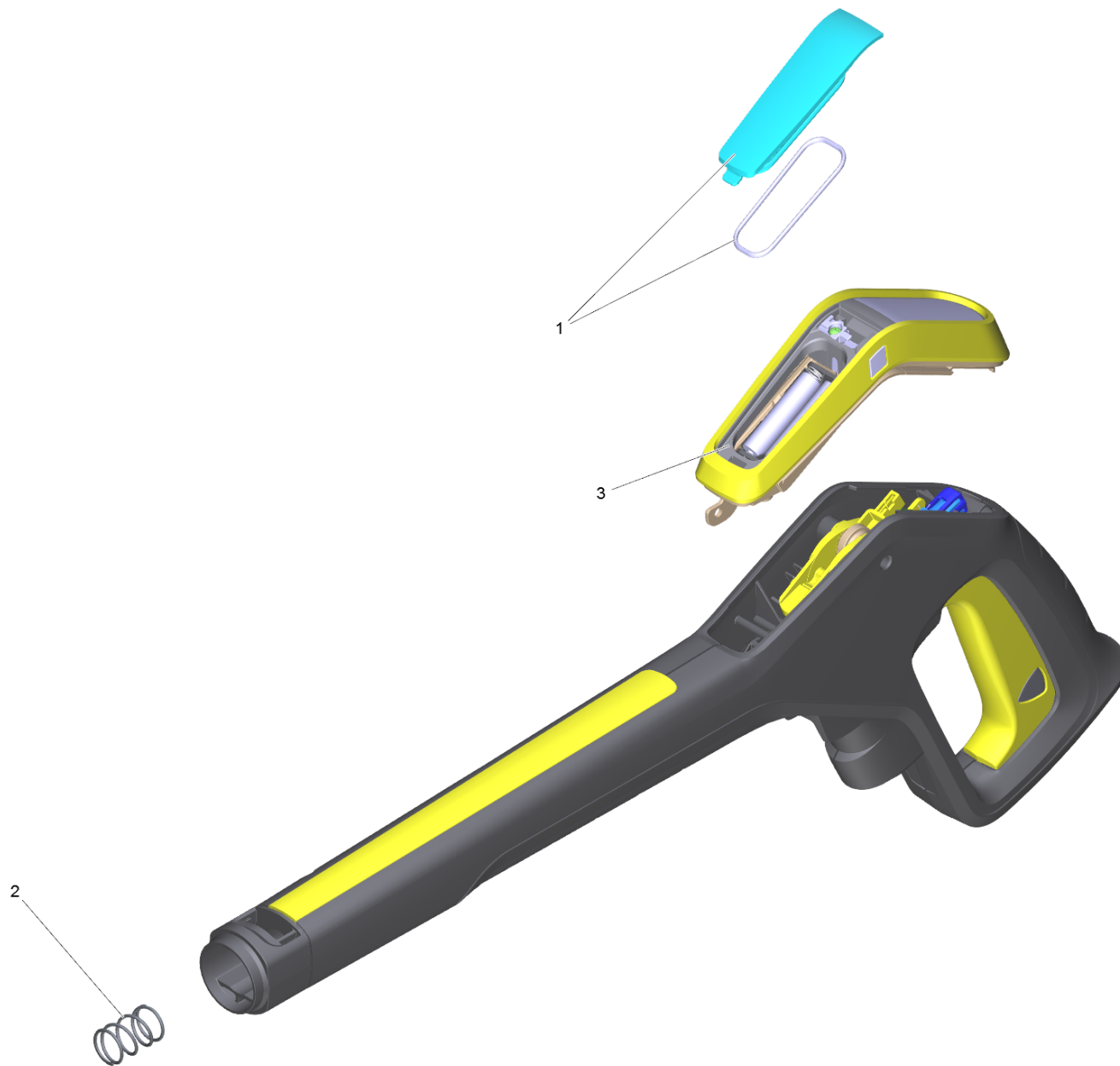
Table of contents

K 5 Premium Smart Control Car&Home *KNA (1.324-684.0)	3
10 G 180 Q smart control *KNA (4.775-495.3)	5
11 MJ 145 3-in-1 Multi Jet Full Control (2.643-906.0)	7
13 FJ 10 C foam nozzle C 'n' C *Brown Box (2.643-767.0)	9
10 Foam nozzle	10
16 WB 130 SZ (incl. universal attachment) (2.644-286.0)	12
17 T 5 *KNA (2.644-342.0)	14
1 T 5 cpl. *KNA	16
2 Bearing support cpl. *KNA	18
1 Adapter complete	20
901 replacement nozzles T-Racer (2.644-081.0)	22
901 Spare part set nozzles 017 (2.885-477.0)	24
109 Pump set complete K5 SC *KNA	26
80 Thrust guidance FC/SCR K5	28
90 Electric box complete K5 SC KNA (9.013-832.3)	30
110 HP inner fitting K5 FC Al (9.013-435.0)	32
170 Pump completa FC Alu	34
60 Manifold fitting K5 FC kpl (9.013-346.0)	36
902 Engine complete for replacement (4.100-752.0)	38
10 Motor complete K5 FC Plus	40
903 Suction connection cpl FC + filter (9.002-432.0)	42
120 Hose reel FC 16MPa/10m	44
13 High pressure hose 18MPa/12 60°C QC B (6.396-555.0)	46
9002 Spare parts set hose reel (9.002-440.0)	48
123 RM retainer station (9.012-681.0)	50
131 Wheel in pairs FC 1K D160 (9.002-438.0)	52



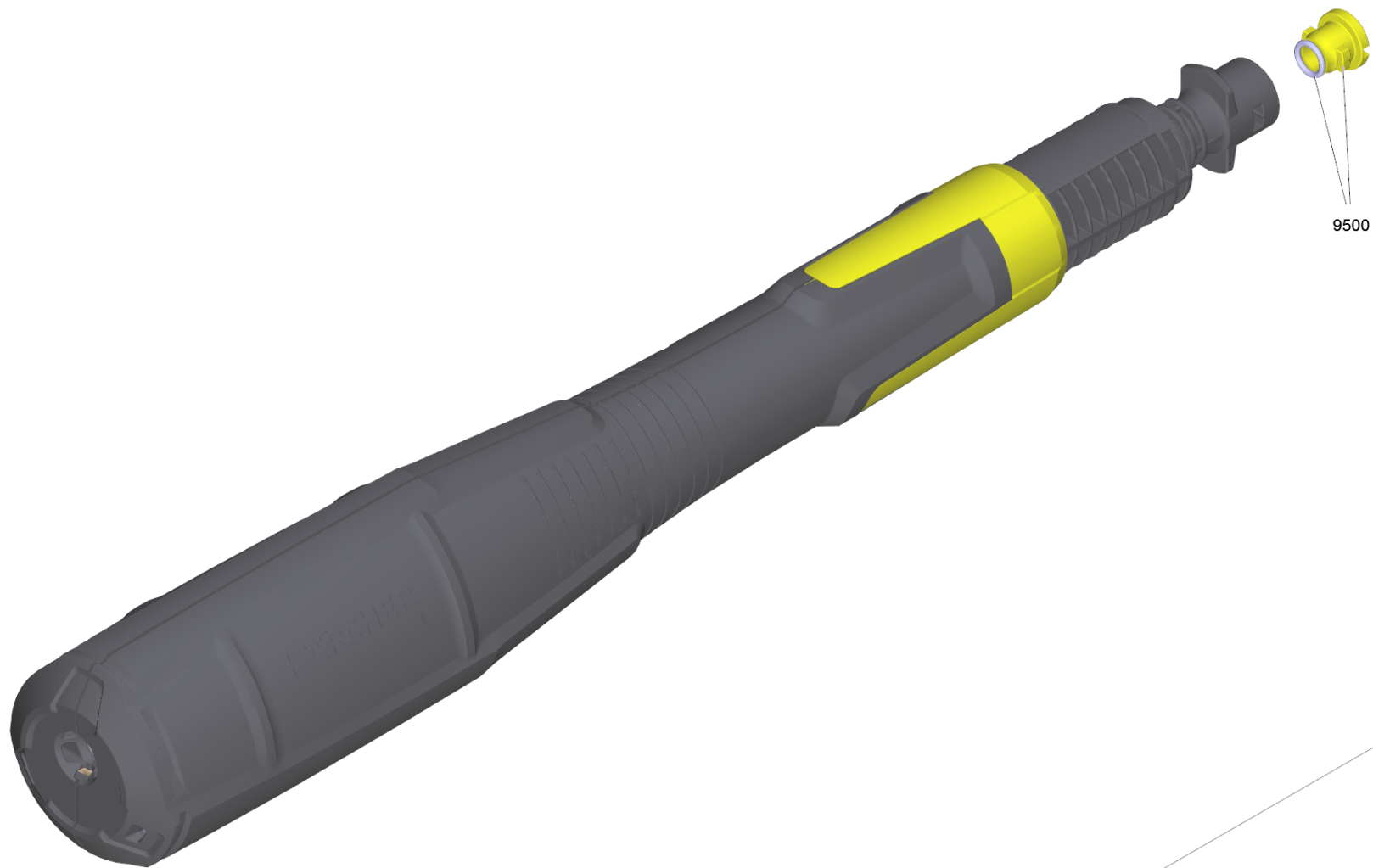
K 5 Premium Smart Control Car&Home *KNA (1.324-684.0)

POS	Article no.	Description	Quantity	Unit
10	4.775-495.3	G 180 Q smart control *KNA	1	PC
11	2.643-906.0	MJ 145 3-in-1 Multi Jet Full Control	1	PC
13	2.643-767.0	FJ 10 C foam nozzle C 'n' C *Brown Box	1	PC
16	2.644-286.0	WB 130 SZ (incl. universal attachment)	1	PC
17	2.644-342.0	T 5 *KNA	1	PC
22	4.645-365.0	Coupler with label complete	1	PC
109		Pump set complete K5 SC *KNA	1	PC
110	9.048-123.0	2K KNOB black	1	PC
111	9.002-436.0	Spare parts set housing rear	1	PC
112	9.038-456.0	Chassis support FC	2	PC
114	9.038-659.3	Housing Front K4-K5 SCR	1	PC
115	9.002-448.0	Telescopic handle ALU bar FC kpl	2	PC
120		Hose reel FC 16MPa/10m	1	PC
122	9.038-661.3	Bumper K4-K5 PC	1	PC
123	9.012-681.0	RM retainer station	1	PC
125	9.086-221.0	Screw ATF 4.1x22	10	PC
126	7.303-026.0	Screw 4x16 -A2-70 (In6Rd)	8	PC
127	9.002-447.0	Spare part Handle FC packed	1	PC
128	6.465-031.0	Connection 3/4	1	PC
129	9.086-203.0	Screw 4x22	2	PC
130	5.317-896.0	Bolt stand foot	2	PC
131	9.002-438.0	Wheel in pairs FC 1K D160	1	PC
132	9.038-666.3	Holder Gun K5 SCR	1	PC
135	9.038-662.3	Panel Front K5 SCR	1	PC
136	9.002-435.0	Accessory net	1	PC
137	9.038-677.3	Covering cap above FC**	1	PC
901	9.038-444.0	Yellow cover FC 1K wheel D160	2	PC
902	4.100-816.0	Spare parts set support logo K5	1	PC



10 G 180 Q smart control *KNA (4.775-495.3)

POS	Article no.	Description	Quantity	Unit
1	2.885-476.0	Spare part set cover battery G 160 Q Ful	1	PC
2	5.332-464.0	Pressure spring	1	PC
3	4.762-658.3	Electric box G 180 Q SC *MX	1	PC



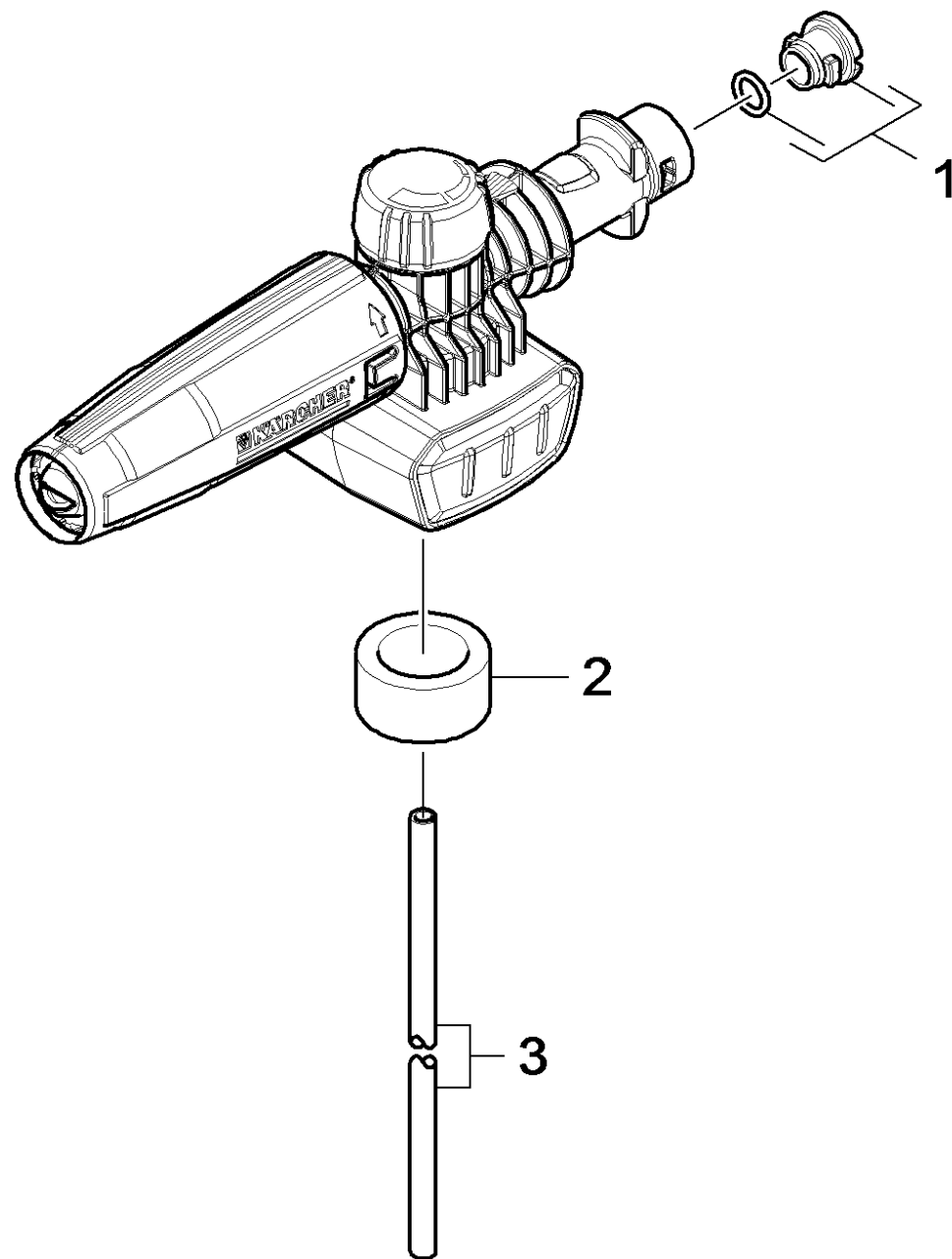
9500

11 MJ 145 3-in-1 Multi Jet Full Control (2.643-906.0)

POS	Article no.	Description	Quantity	Unit
9500	2.640-729.0	O-Ring seal set	1	PC

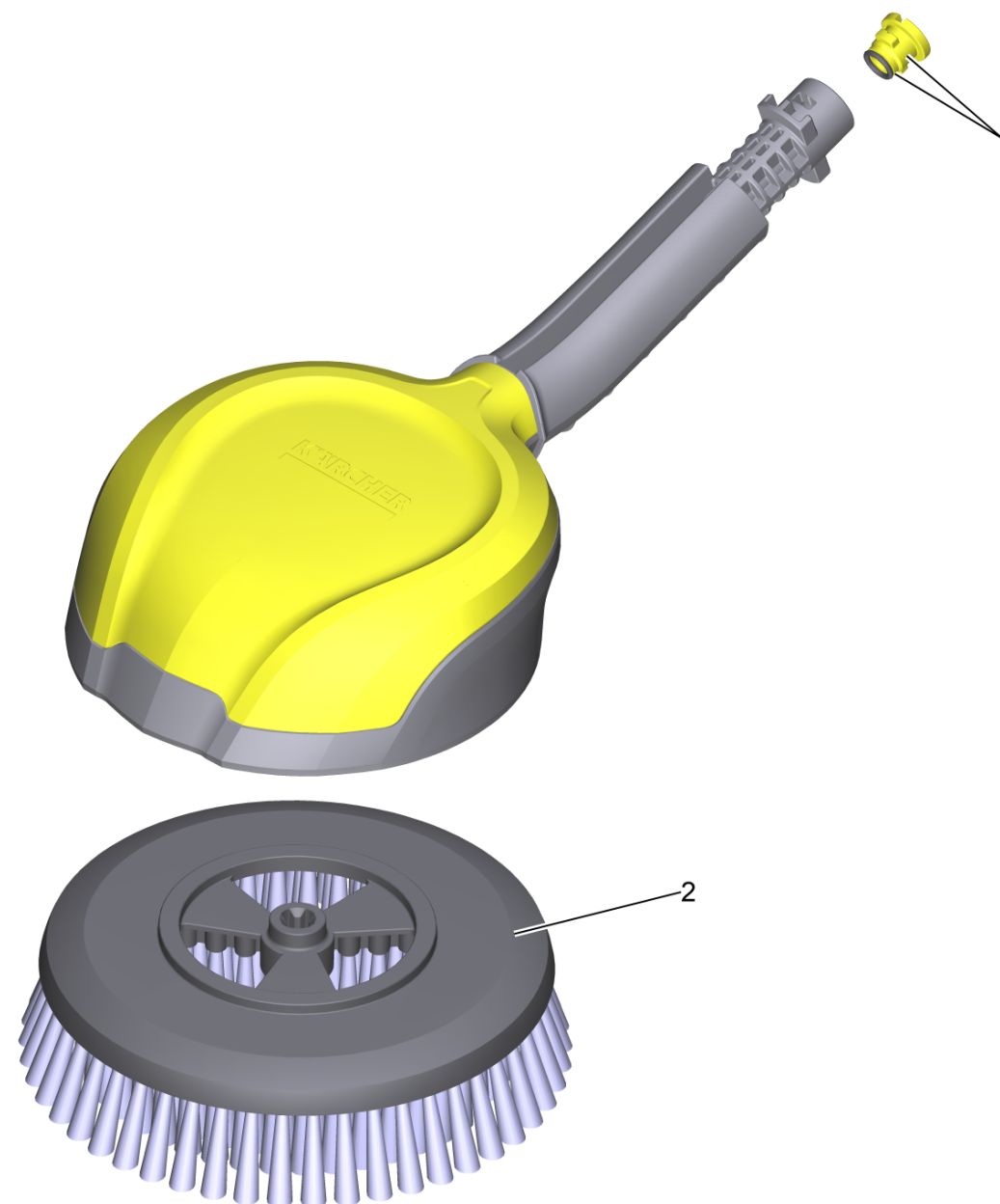
13 FJ 10 C foam nozzle C 'n' C *Brown Box (2.643-767.0)

POS	Description	Quantity	Unit
10	Foam nozzle	1	PC



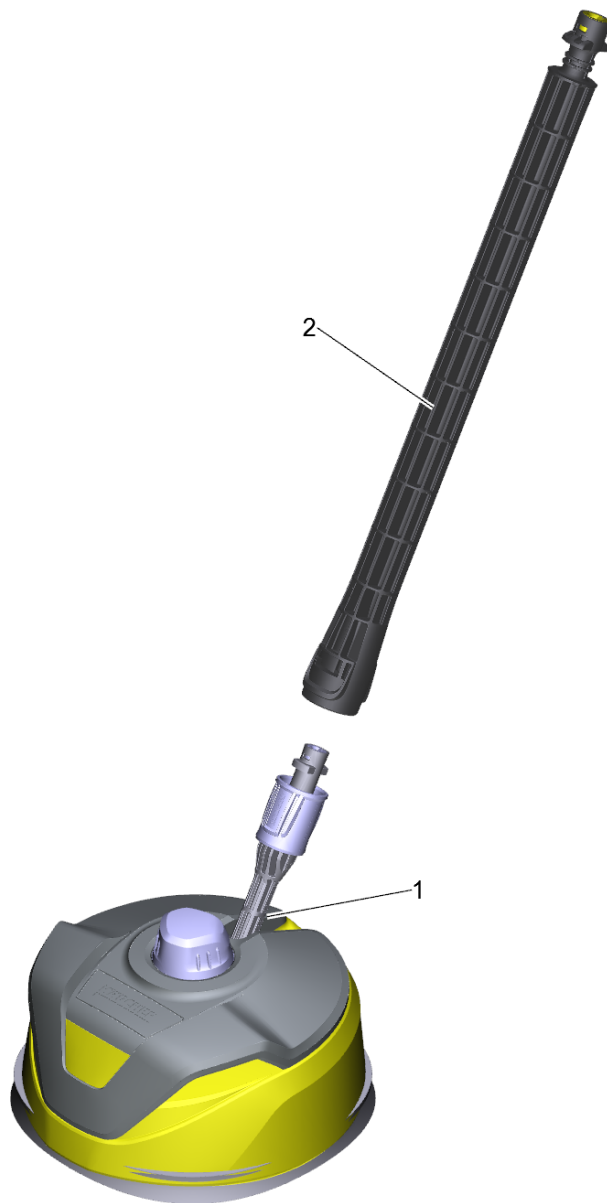
10 Foam nozzle

POS	Article no.	Description	Quantity	Unit	Foot note text
1	2.640-729.0	O-Ring seal set	1	PC	
2	5.367-039.0	Seal	1	PC	
3	6.961-014.0	Hose DN4	1	m	TO ORDER AS CUT GOODS



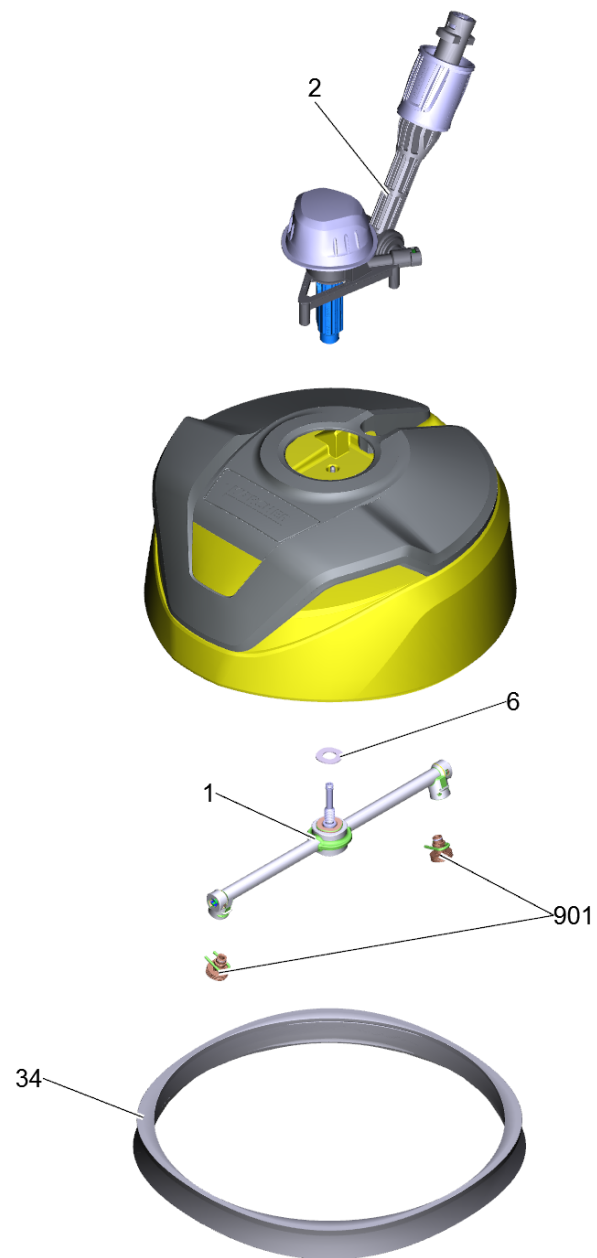
16 WB 130 SZ (incl. universal attachment) (2.644-286.0)

POS	Article no.	Description	Quantity	Unit
1	2.640-729.0	O-Ring seal set	1	PC
2	2.644-289.0	WB 130 interchangeable attachment universal	1	PC



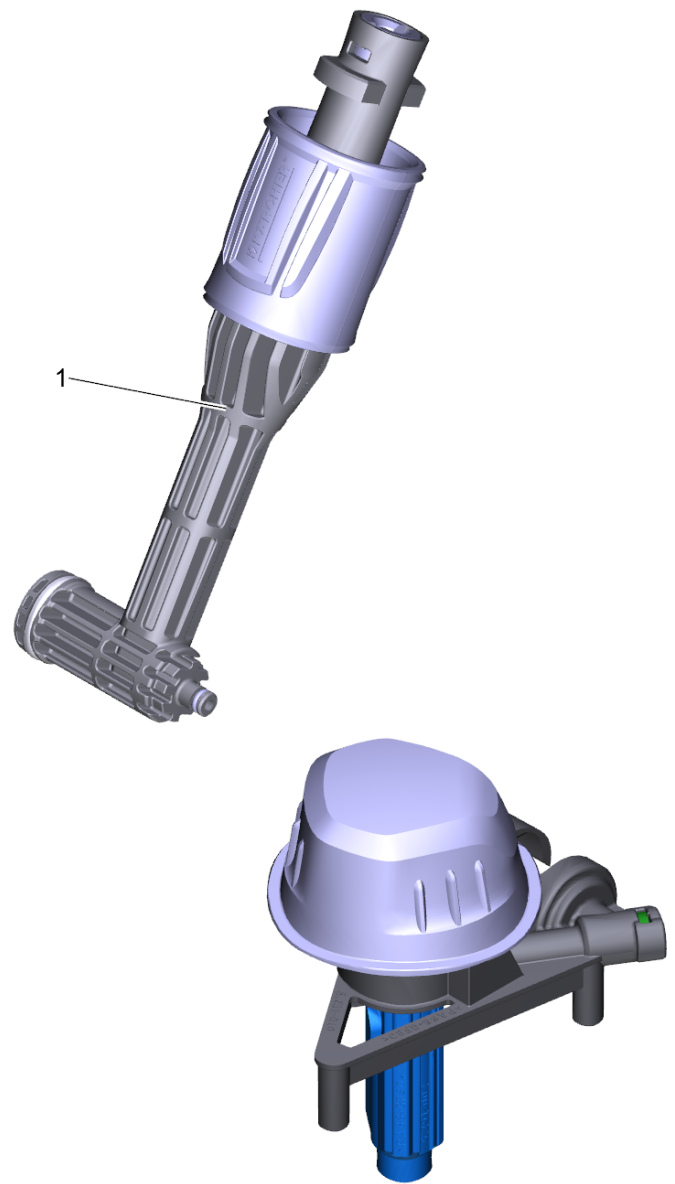
17 T 5 *KNA (2.644-342.0)

POS	Article no.	Description	Quantity	Unit
1		T 5 cpl. *KNA	1	PC
2	4.760-707.0	Jet pipe 0,4m *KNA	1	PC



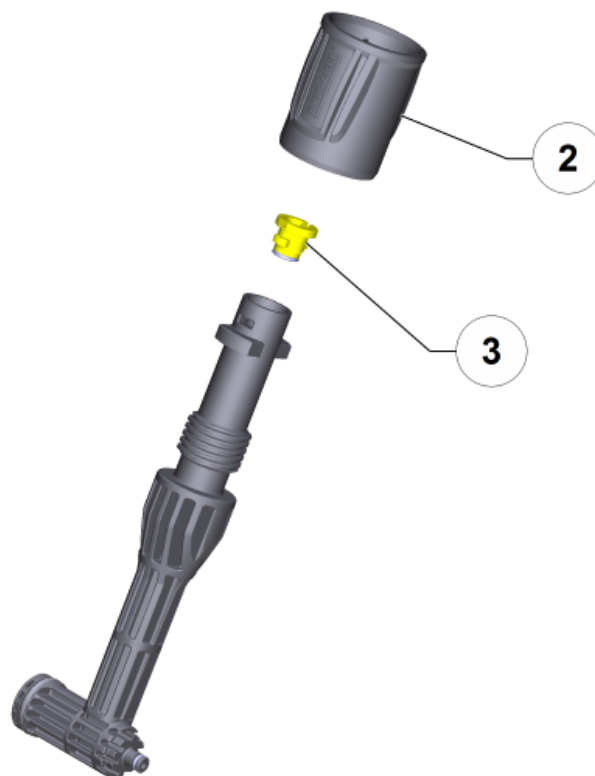
1 T 5 cpl. *KNA

POS	Article no.	Description	Quantity	Unit
1	4.762-603.3	Rotor complete	1	PC
2		Bearing support cpl. *KNA	1	PC
6	5.115-971.0	Washer	1	PC
34	6.371-339.3	Strip brush	1	PC
901	2.644-081.0	replacement nozzles T-Racer	1	PC
901	2.885-477.0	Spare part set nozzles 017	1	PC
	Item text1: 1.601-842.0/-843.0/-942.0/-943.0			



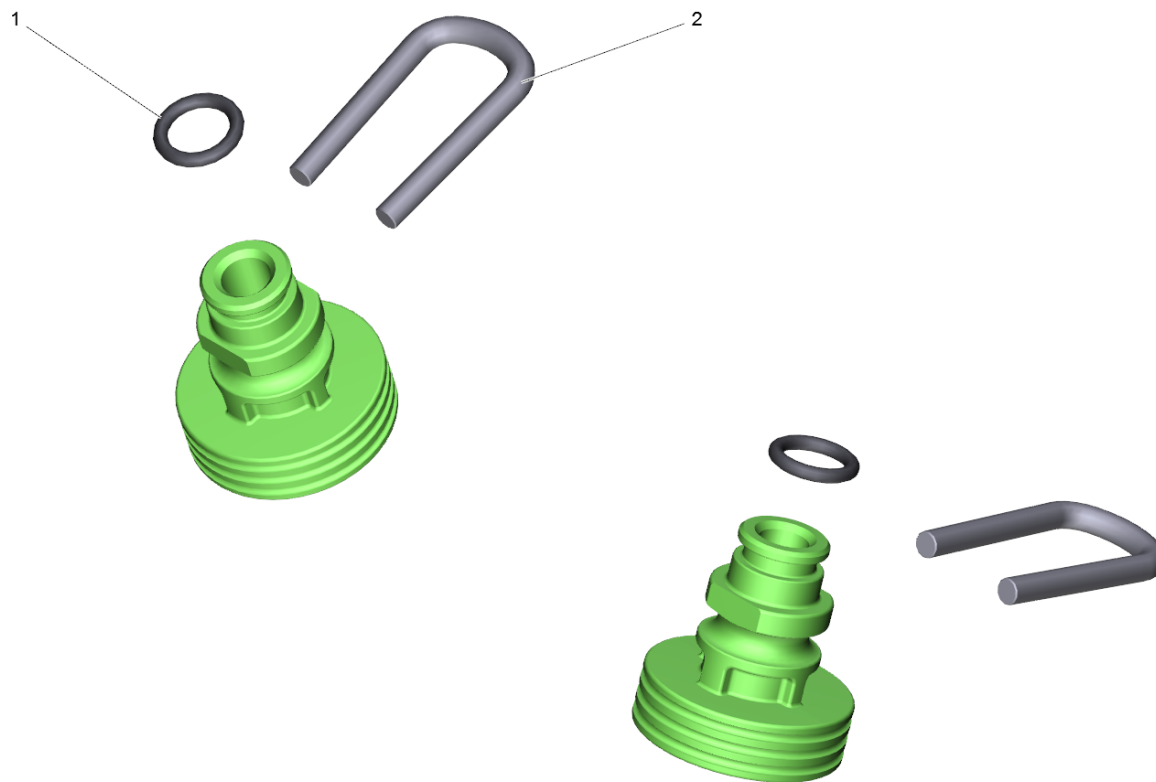
2 Bearing support cpl. *KNA

POS	Description	Quantity	Unit
1	Adapter complete	1	PC



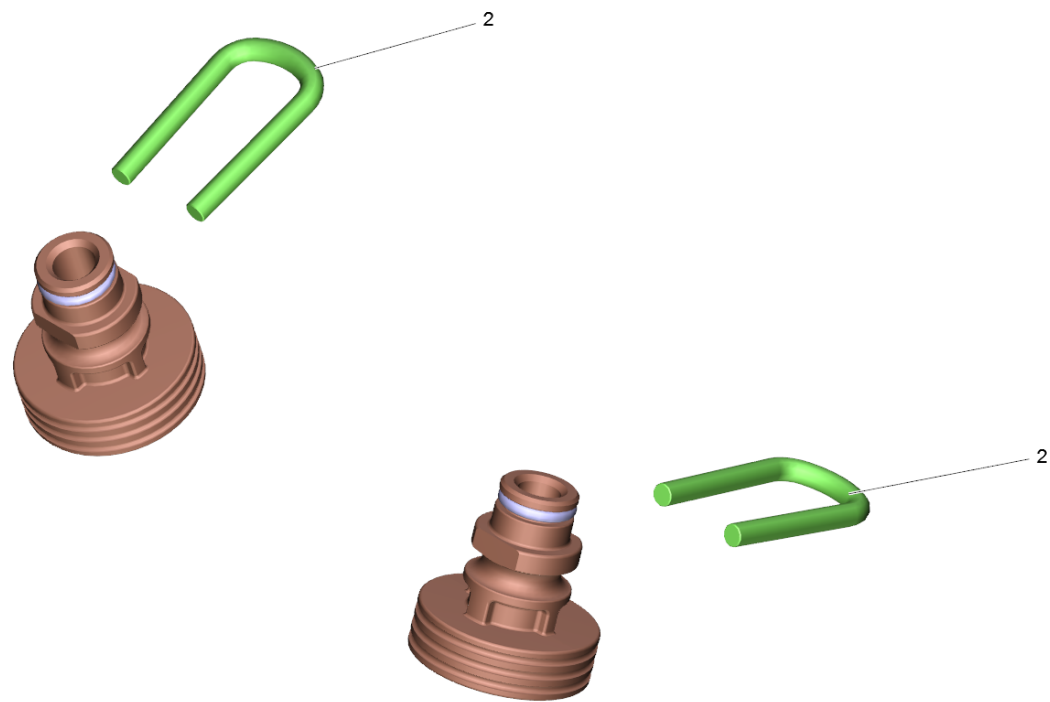
1 Adapter complete

POS	Article no.	Description	Quantity	Unit
2	5.310-160.0	Nut Kaercher	1	PC
3	2.640-729.0	O-Ring seal set	1	PC



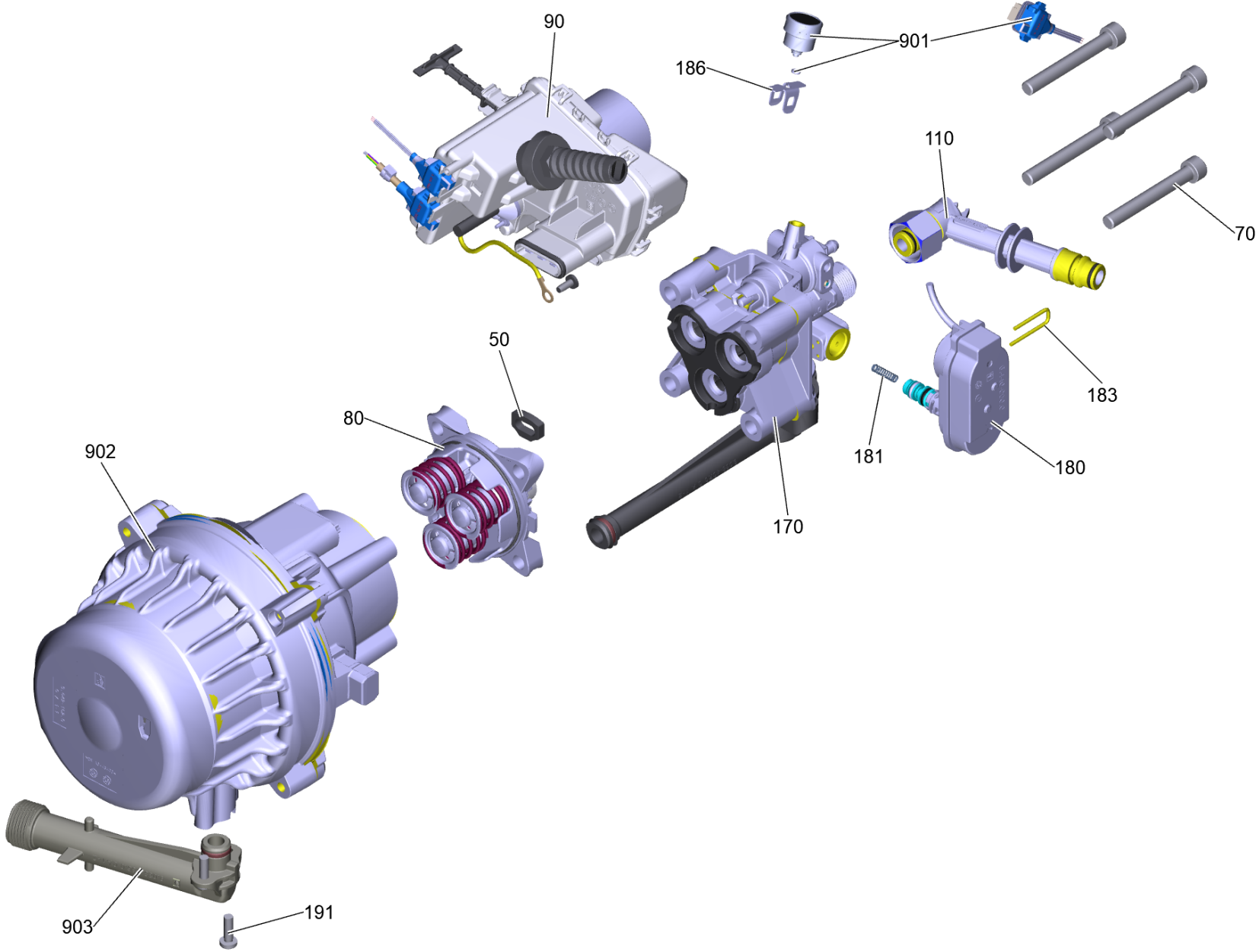
901 replacement nozzles T-Racer (2.644-081.0)

POS	Article no.	Description	Quantity	Unit
1	6.363-609.0	O-Ring seal 5 x 1,2 -EPDM	2	PC
2	5.037-151.0	Clamp	2	PC



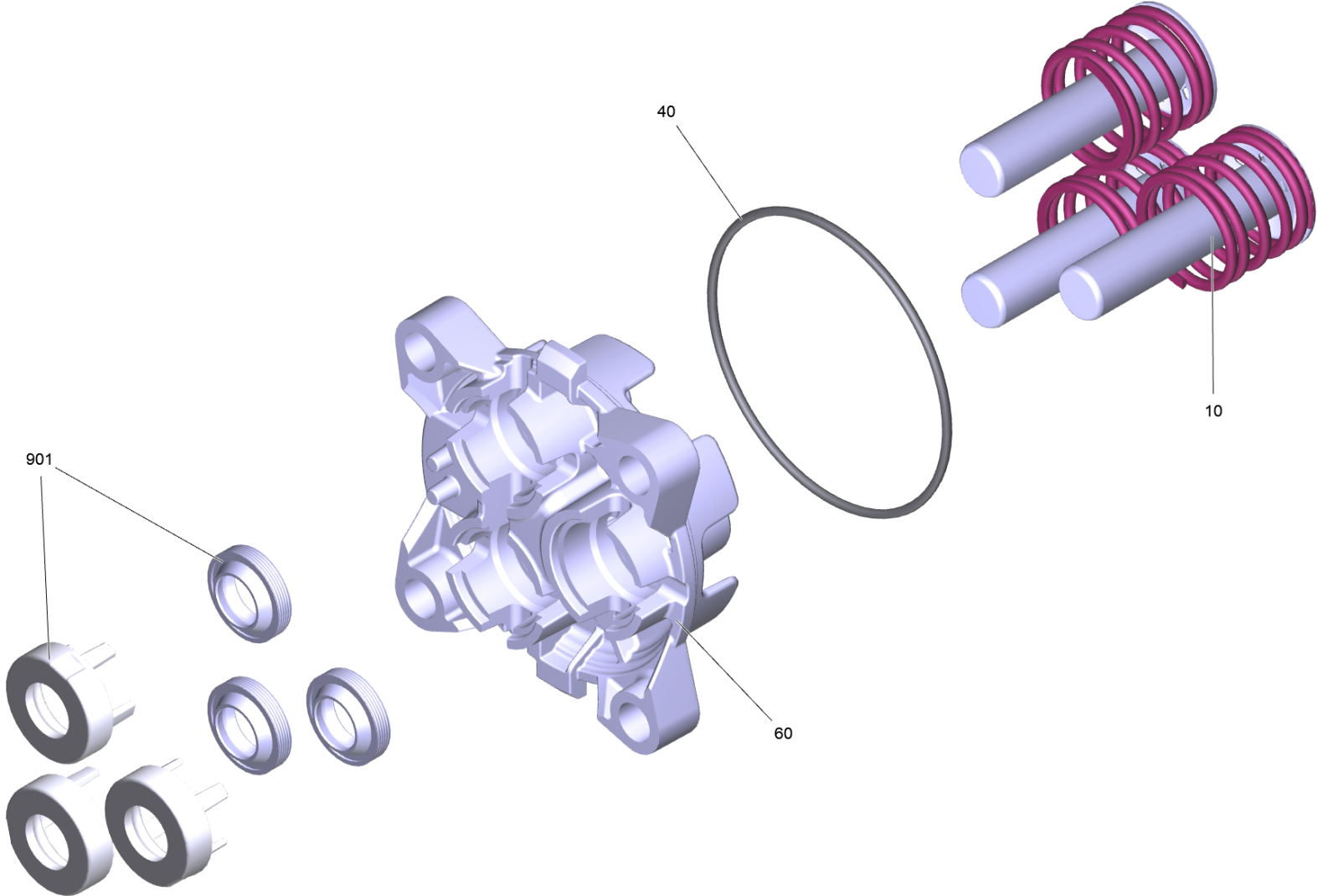
901 Spare part set nozzles 017 (2.885-477.0)

POS	Article no.	Description	Quantity	Unit
2	5.037-151.0	Clamp	1	PC



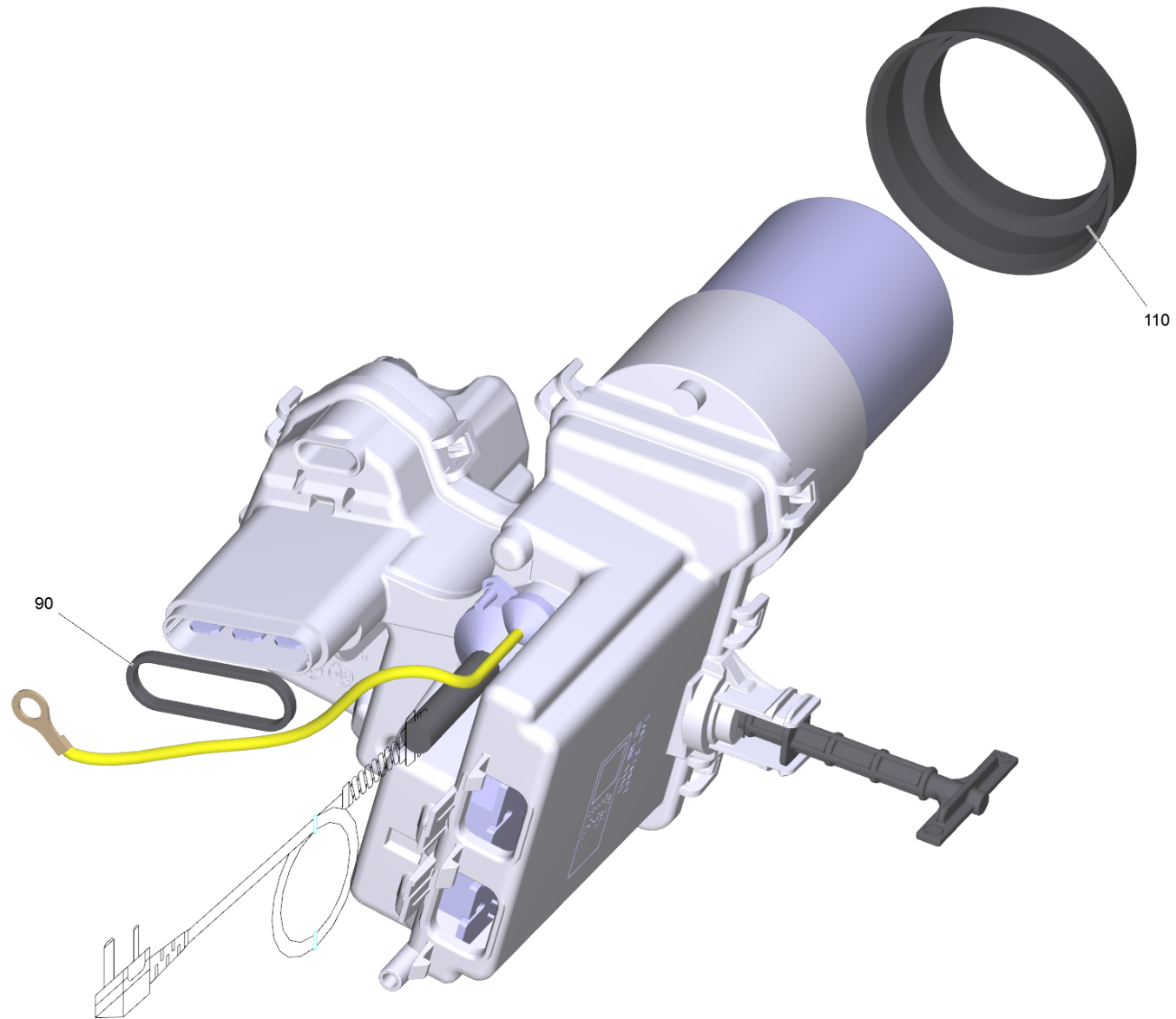
109 Pump set complete K5 SC *KNA

POS	Article no.	Description	Quantity	Unit
50	9.048-071.0	Spacer - Seal	1	PC
70	7.306-151.0	Cylinder head screw M8x65 -8.8-A2E ISO4	4	PC
80		Thrust guidance FC/SCR K5	1	PC
90	9.013-832.3	Electric box complete K5 SC KNA	1	PC
110	9.013-435.0	HP inner fitting K5 FC Al	1	PC
170		Pump completa FC Alu	1	PC
180	6.440-000.3	Lifting drive complete	1	PC
181	5.333-215.0	Pressure spring by-pass	1	PC
183	5.048-048.0	Clamp	1	PC
186	5.048-047.0	Clamp pressure sensor	1	PC
191	7.306-394.0	Screw M5x12 -8.8-ZNBHL ISO 14583	2	PC
901	4.100-818.0	Spare parts set sensor cpl.	1	PC
902	4.100-752.0	Engine complete for replacement	1	PC
903	9.002-432.0	Suction connection cpl FC + filter	1	PC



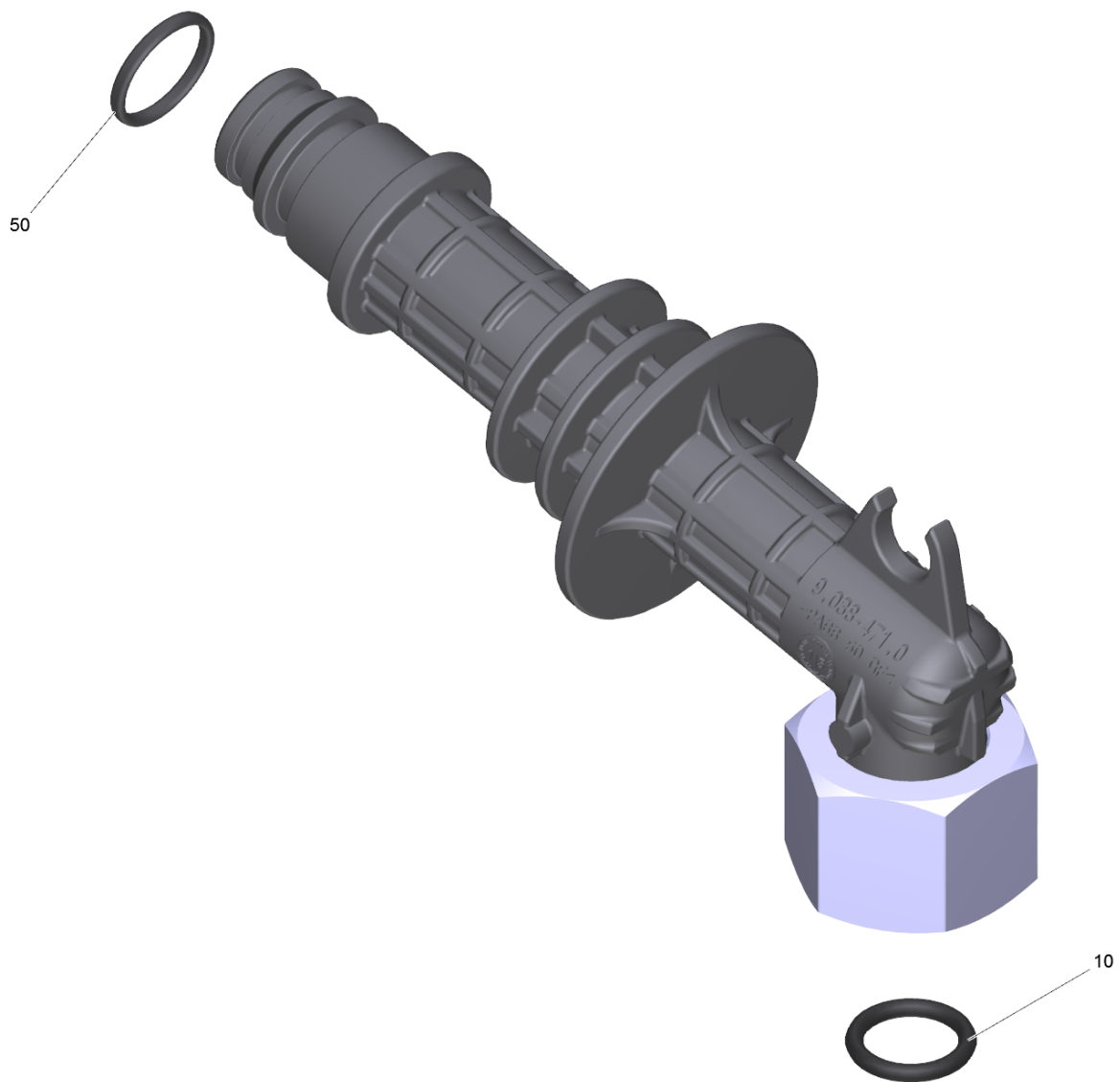
80 Thrust guidance FC/SCR K5

POS	Article no.	Description	Quantity	Unit
10	9.001-927.0	Piston complete	3	PC
40	9.080-425.0	O-Ring seal 60 x 2 NBR 70	1	PC
60	9.042-151.0	Pistons guide pump K5 FC machined	1	PC
901	4.100-832.0	Spare parts set seals	1	PC



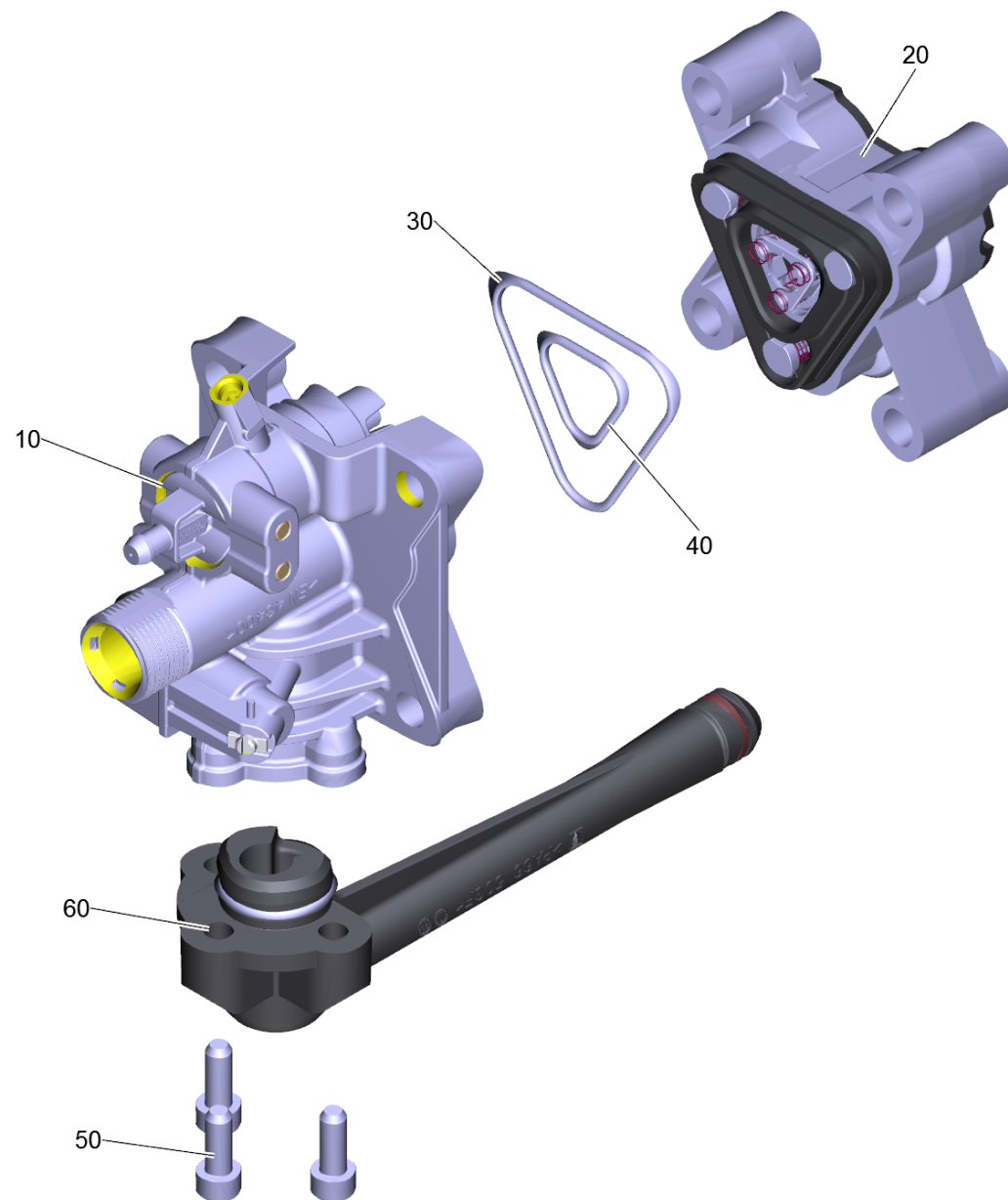
90 Electric box complete K5 SC KNA (9.013-832.3)

POS	Article no.	Description	Quantity	Unit
90	9.080-494.0	OR 20x2 EPDM70ShA PTFE	1	PC
110	9.080-465.0	Joint ring capacitor d.45, 70 Shore	1	PC



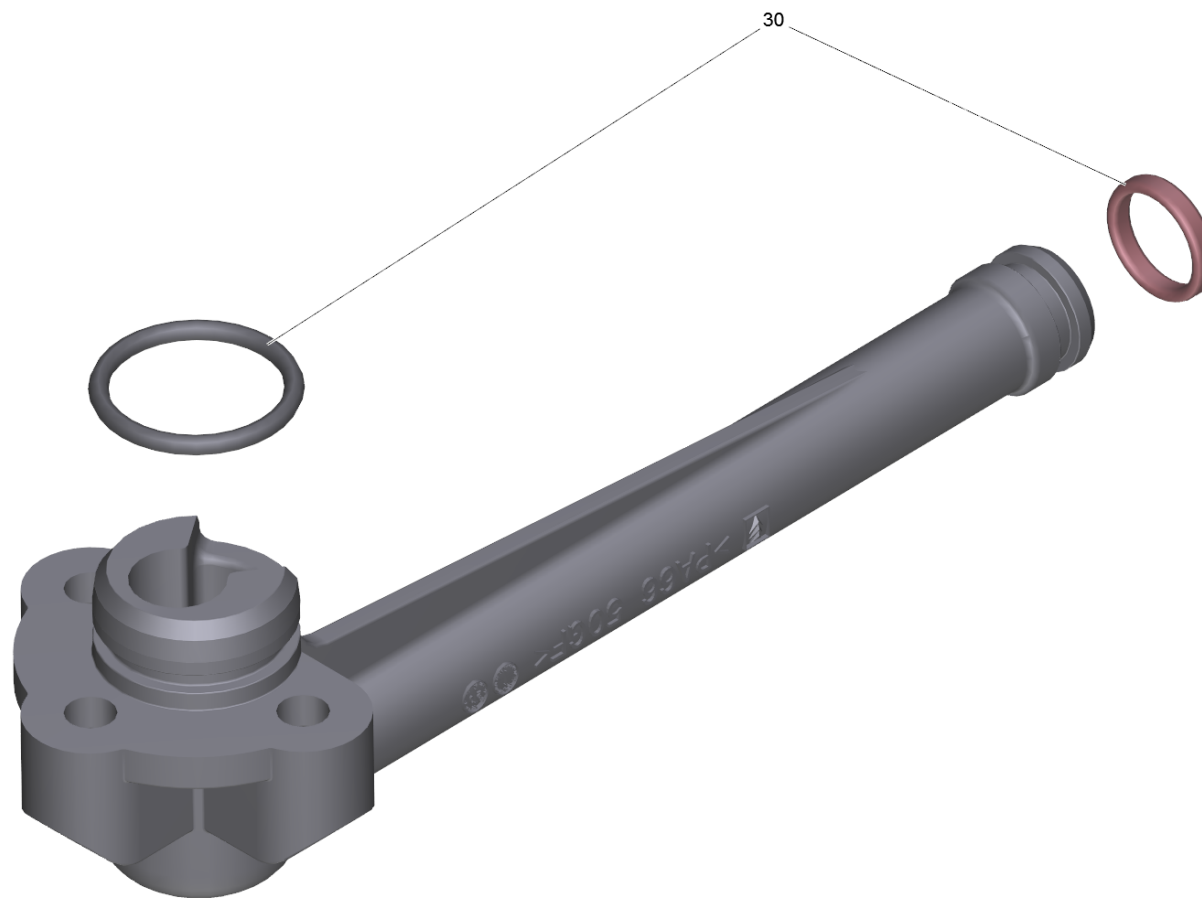
110 HP inner fitting K5 FC AI (9.013-435.0)

POS	Article no.	Description	Quantity	Unit
10	6.362-151.0	O-Ring d. 10 x 2 NBR 70	1	PC
50	9.080-422.0	O-RING 11,5X1,5 NBR 70	1	PC



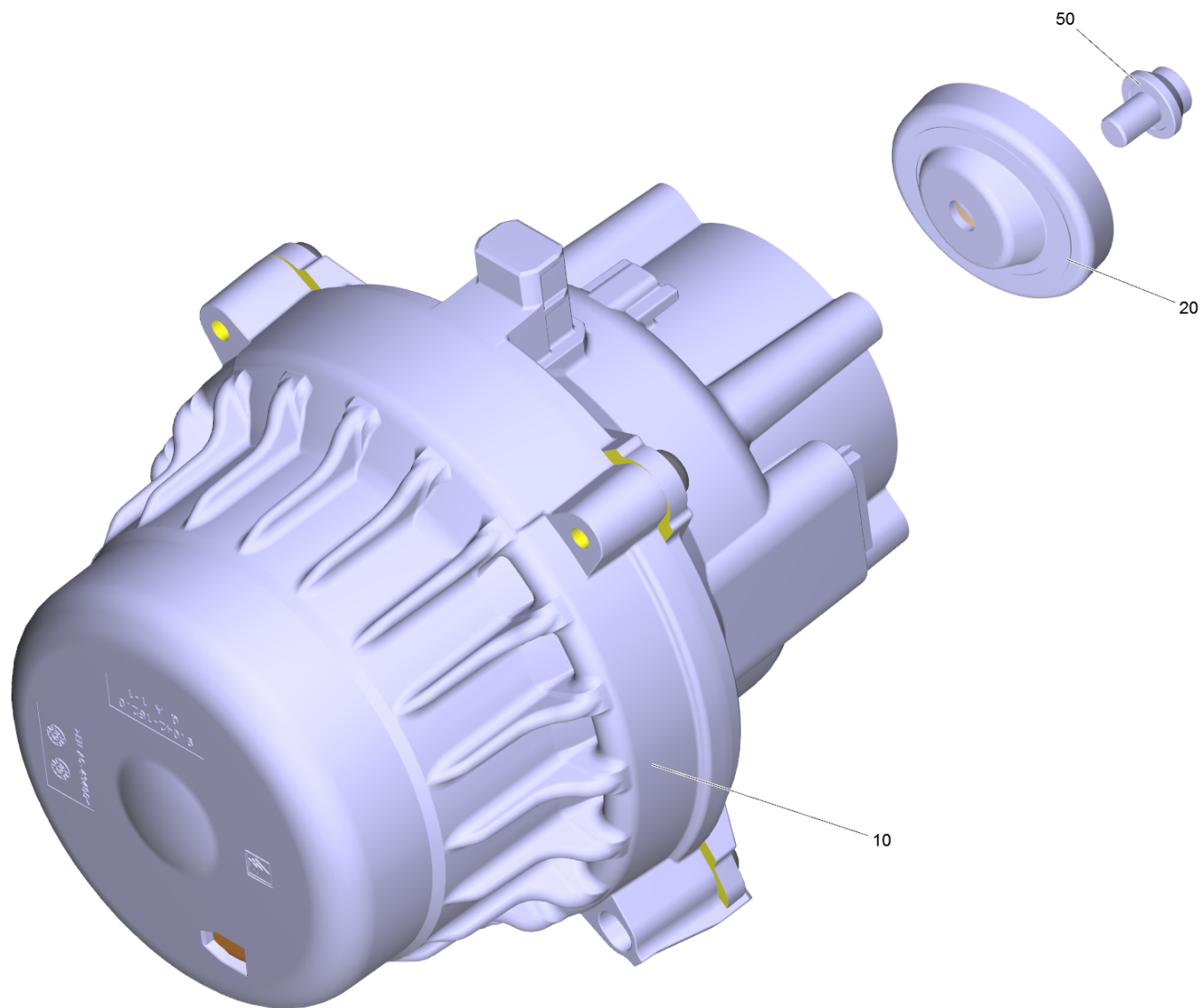
170 Pump completa FC Alu

POS	Article no.	Description	Quantity	Unit
10	9.013-628.3	Collector completo FC US	1	PC
20	9.011-815.0	Pump head complete	1	PC
30	9.081-424.0	Form seal	1	PC
40	9.081-584.0	Seal GABBIETTA TRIPLA 90Shore	1	PC
50	9.086-199.0	Screw M6x16	3	PC
60	9.013-346.0	Manifold fitting K5 FC kpl	1	PC



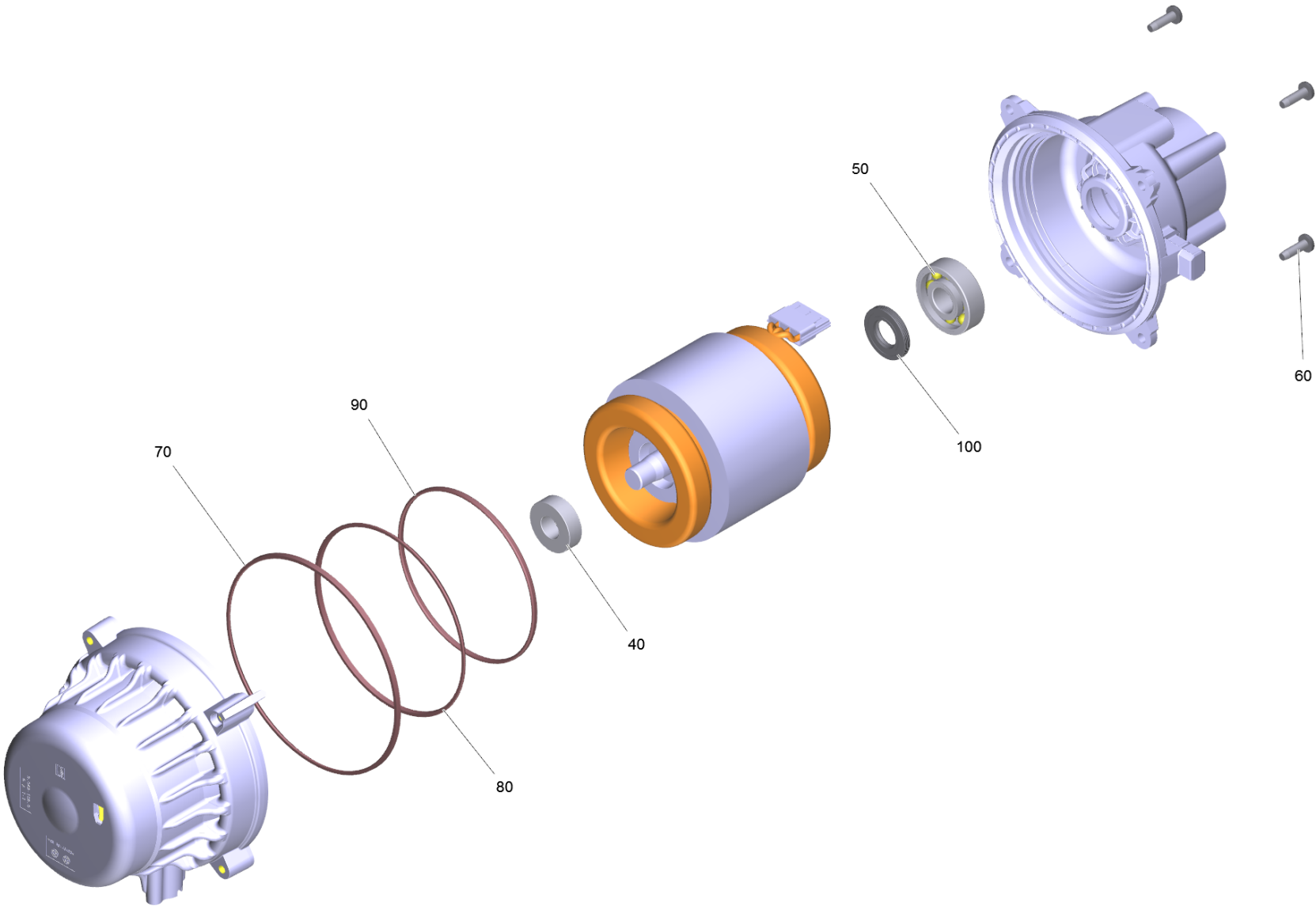
60 Manifold fitting K5 FC kpl (9.013-346.0)

POS	Article no.	Description	Quantity	Unit
30	9.002-444.0	kIT O-ring Manifold fitting pump K5 FC	1	PC



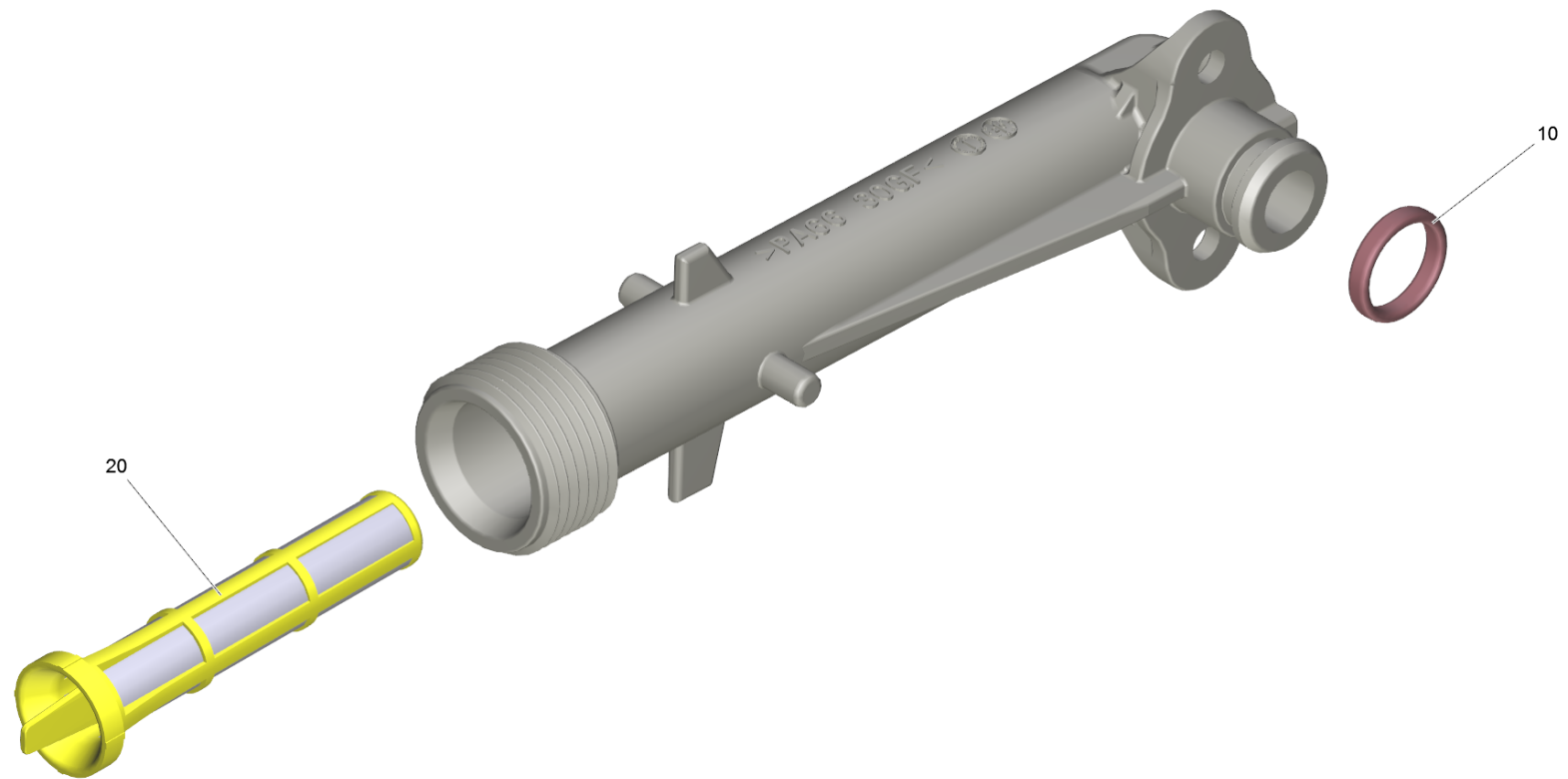
902 Engine complete for replacement (4.100-752.0)

POS	Article no.	Description	Quantity	Unit
10		Motor complete K5 FC Plus	1	PC
20	9.755-308.0	Wobble plate complete replacement 7°17'	1	PC
50	9.086-205.0	Screw	1	PC



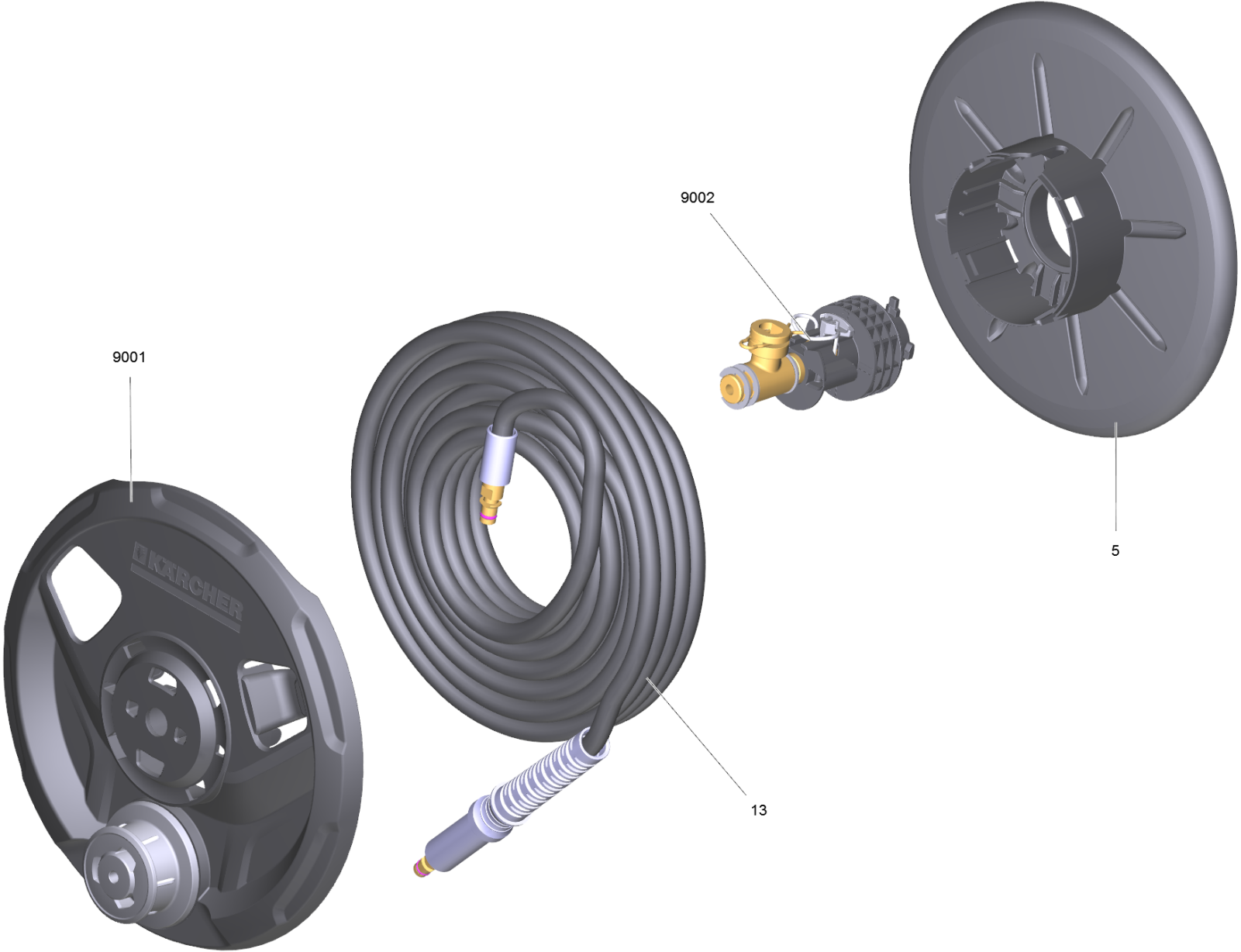
10 Motor complete K5 FC Plus

POS	Article no.	Description	Quantity	Unit
40	7.401-128.0	Ball bearing 6202-2RS -Wälzl.St DIN 625	1	PC
50	7.401-136.0	Ball bearing 6303 St DIN 625 17x47x14	1	PC
60	7.306-092.0	Screw M6x20-ST- 8.8-R3R (IN6RD)	4	PC
70	9.080-503.0	O-ring d.113,0x3.0 EPDM 70	1	PC
80	9.080-504.0	O-Ring seal 124x3 EPDM 70	2	PC
90	9.080-505.0	O-Ring seal 142.2x3 EPDM 70	1	PC
100	9.078-021.0	Grooved ring 17x35x5	1	PC



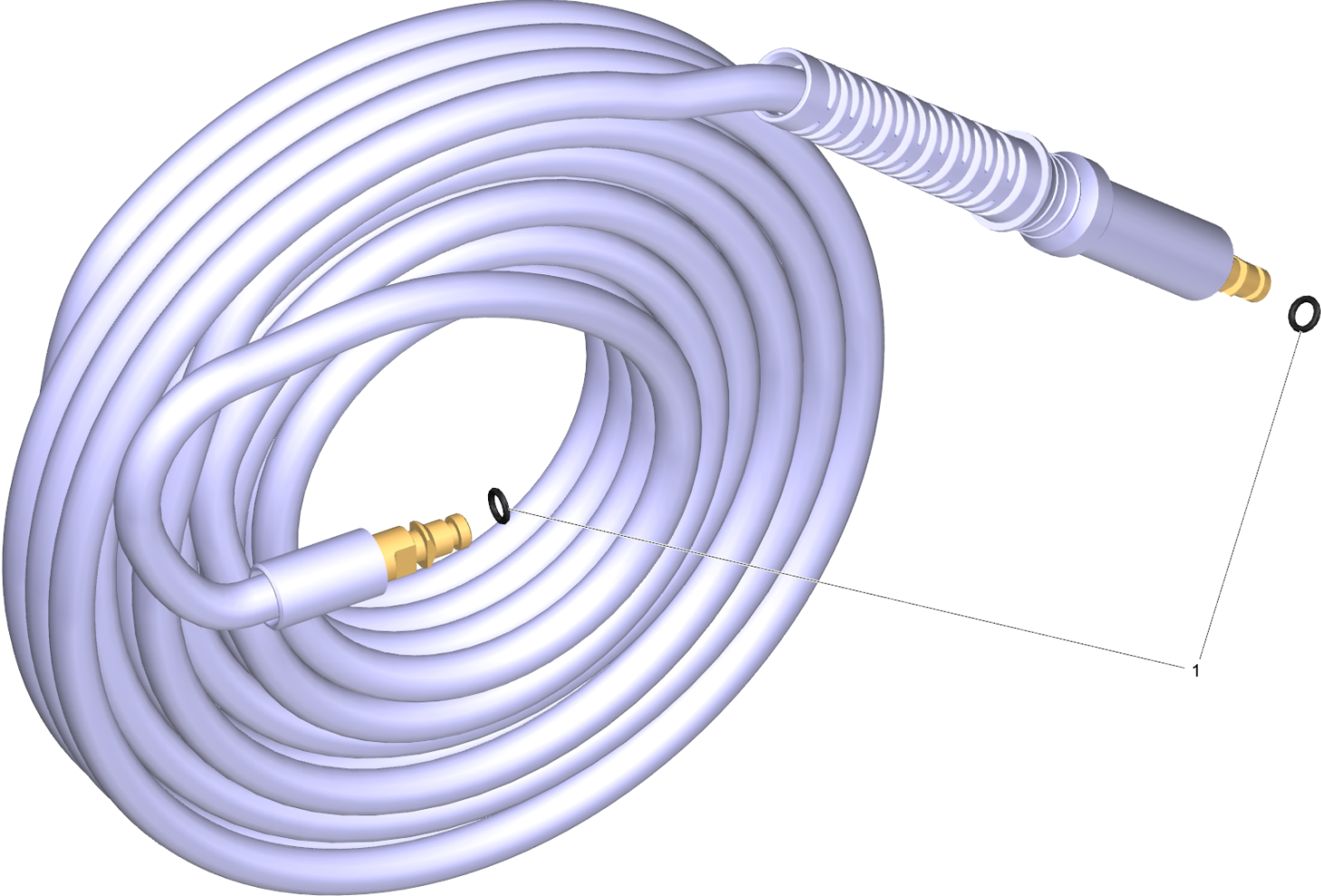
903 Suction connection cpl FC + filter (9.002-432.0)

POS	Article no.	Description	Quantity	Unit
10	9.080-513.0	OR 12x2.1 EPDM 70 perox	1	PC
20	5.731-021.0	Fine filter K4/K5	1	PC



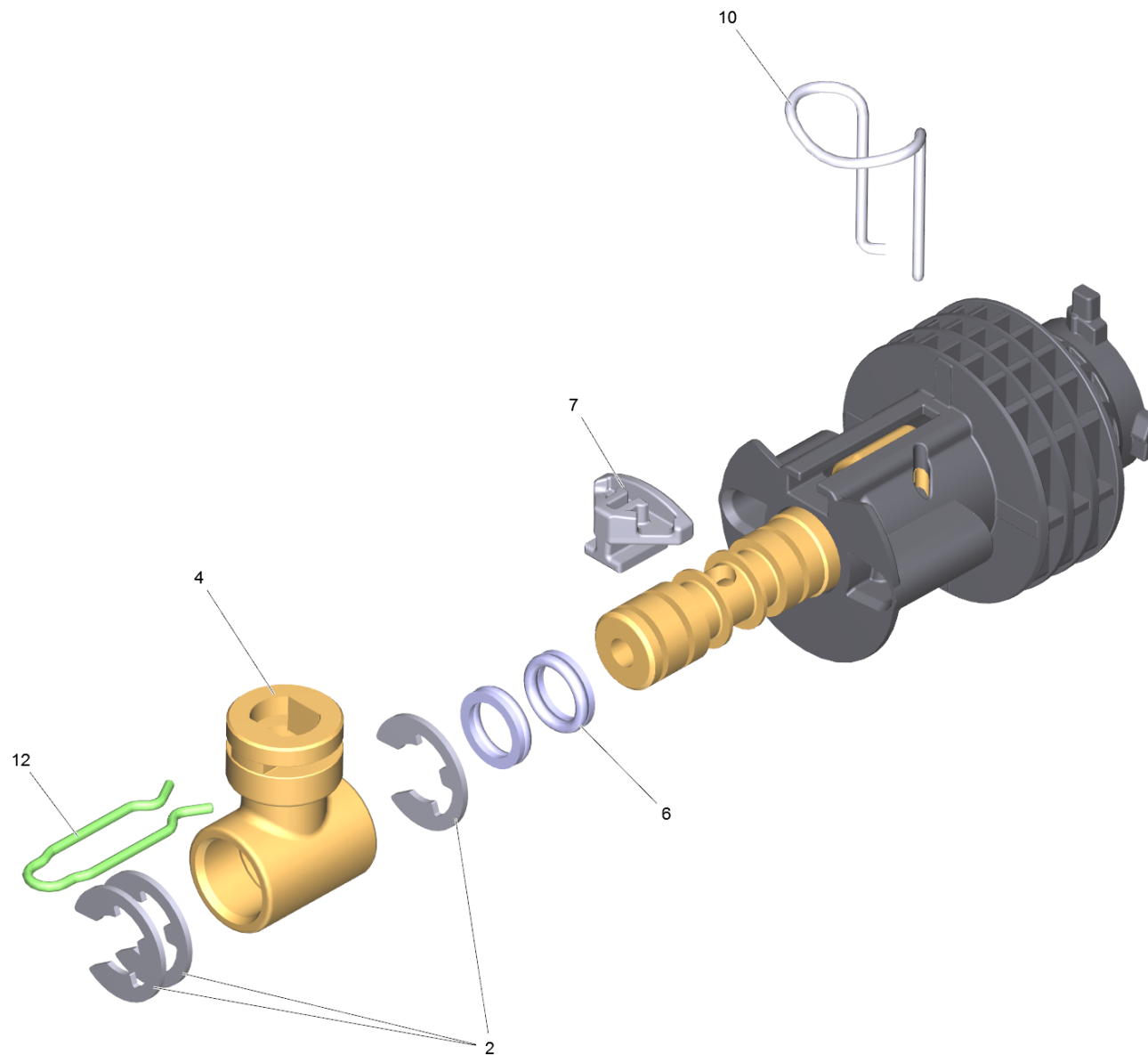
120 Hose reel FC 16MPa/10m

POS	Article no.	Description	Quantity	Unit
5	9.038-492.0	Hose reel FC internal disk	1	PC
13	6.396-555.0	High pressure hose 18MPa/12 60°C QC B	1	PC
9001	9.002-439.0	Kit handle+ hose reel external disk	1	PC
9002	9.002-440.0	Spare parts set hose reel	1	PC



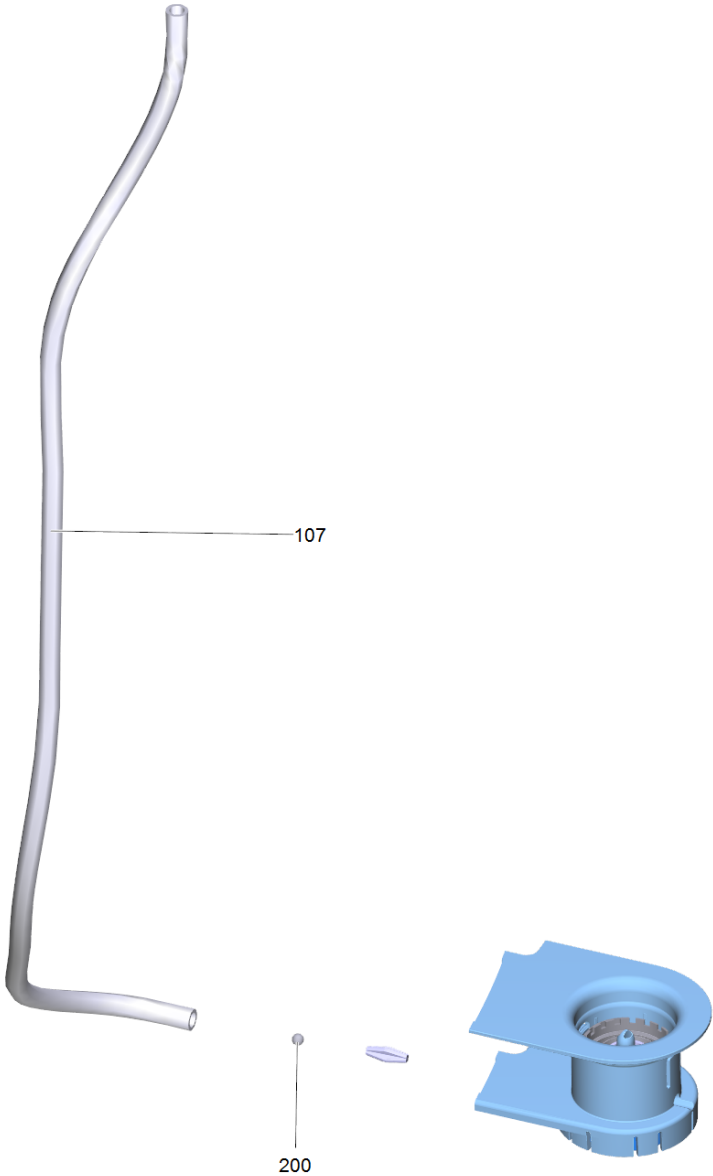
13 High pressure hose 18MPa/12 60°C QC B (6.396-555.0)

POS	Article no.	Description	Quantity	Unit
1	2.640-729.0	O-Ring seal set	1	PC



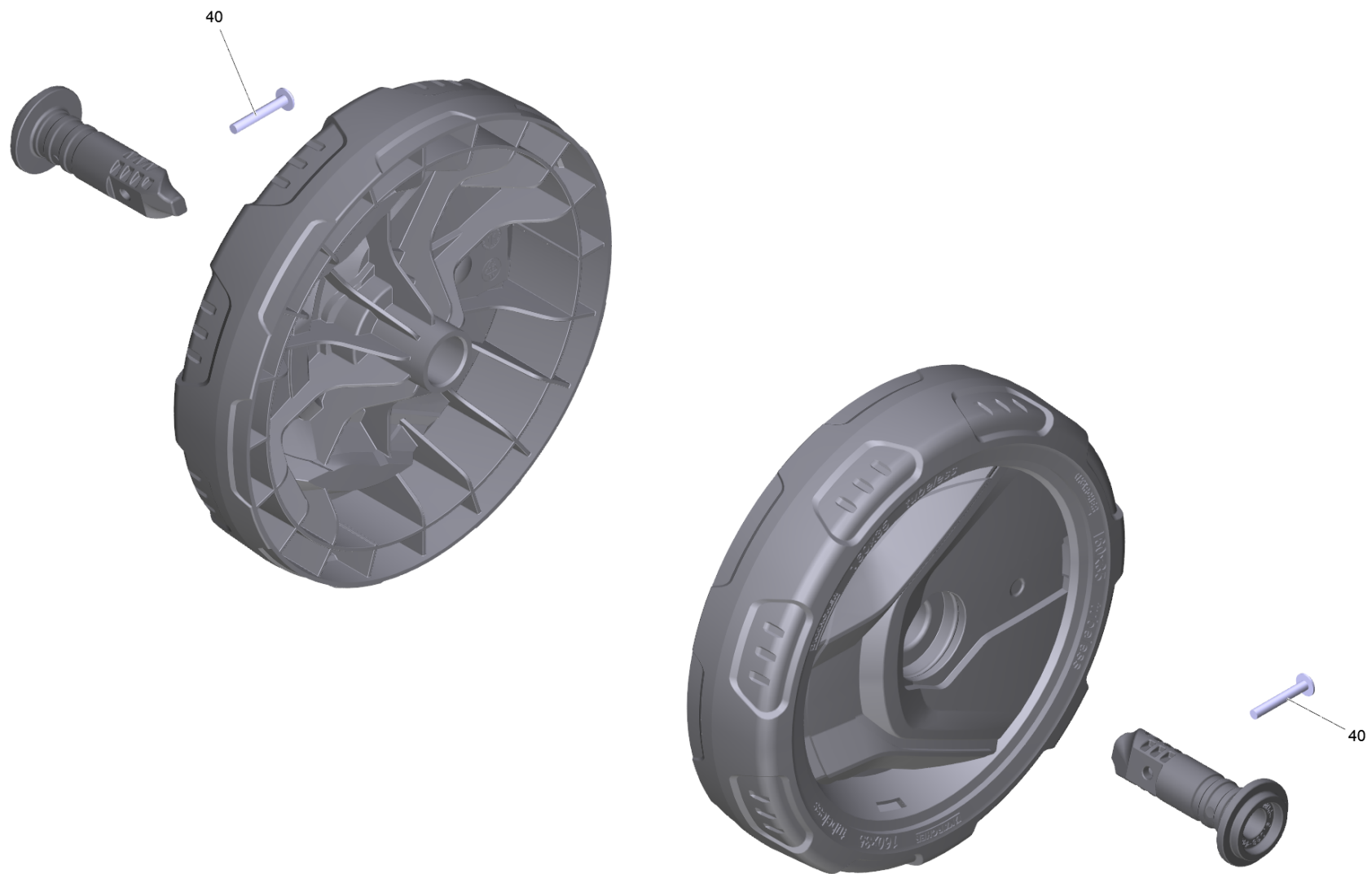
9002 Spare parts set hose reel (9.002-440.0)

POS	Article no.	Description	Quantity	Unit
2	7.343-306.0	Lock washer 12-St-A2E DIN 6799	3	PC
4	5.401-308.0	Rotary bushing	1	PC
6	6.363-628.0	O-Ring seal complete	1	PC
7	9.038-470.0	Hose reel FC QC Button	1	PC
10	9.047-117.0	Hose reel QC Clamp soft	1	PC
12	5.059-401.0	Clamp	1	PC



123 RM retainer station (9.012-681.0)

POS	Article no.	Description	Quantity	Unit	Foot note text
107	6.391-336.0	Hose	0,18	m	TO ORDER AS CUT GOODS
200	7.401-911.0	Sphere 4 -PP DIN 5401	1	PC	



131 Wheel in pairs FC 1K D160 (9.002-438.0)

POS	Article no.	Description	Quantity	Unit
40	9.086-221.0	Screw ATF 4.1x22	1	PC
