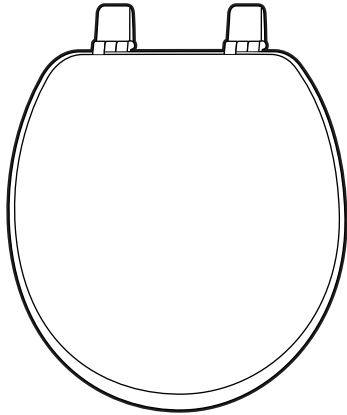




USE AND CARE GUIDE

ELONGATED SOFT TOILET SEAT



THANK YOU

We appreciate the trust and confidence you have placed in Glacier Bay through the purchase of this toilet seat. We strive to continually create quality products designed to enhance your home. Visit us online to see our full line of products available for your home improvement needs. Thank you for choosing Glacier Bay!

Safety Information

Please read and understand the instructions provided in this manual before you begin installation.

WARNING: Handle with care. Vitreous chinaware is glass-like with sharp edges if broken. Do not drop, handle roughly, or overtighten bolts.

Care and Cleaning

- When cleaning your seat use mild soapy water and a soft cloth or sponge. Rinse thoroughly and dry with a soft cloth. Avoid detergents, disinfectants, or cleaners in aerosol cans. Never use abrasive scoring powders or other abrasive cleaners. Some bathroom chemicals and cosmetics can damage the finish of the seat.
- Occasionally check the tightness of the nuts to assure the seat remains firmly mounted.

Pre-Installation

Before beginning installation of this product, make sure all parts are present. Compare parts with the Hardware Included and Package Contents lists. If any part is missing or damaged, do not attempt to assemble, install, or operate the product. Contact customer service for replacement parts.

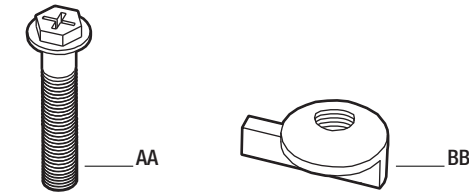
Pre-Installation (continued)

TOOLS REQUIRED



HARDWARE INCLUDED

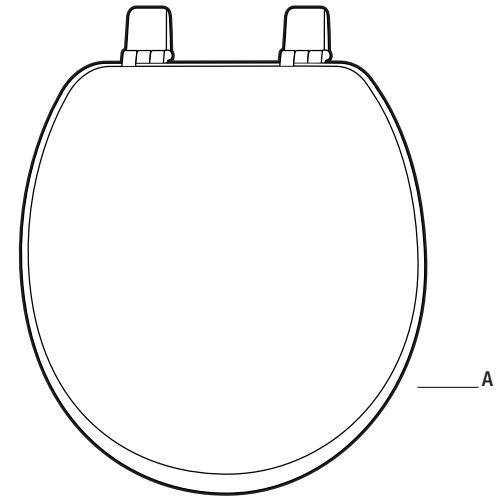
NOTE: Hardware not shown to actual size.



Part	Description	Quantity
AA	Bolts	2
BB	Nuts	2

Pre-Installation (continued)

PACKAGE CONTENTS

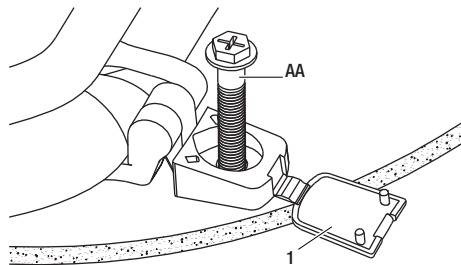


Part	Description	Quantity
A	Toilet seat	1

Installation

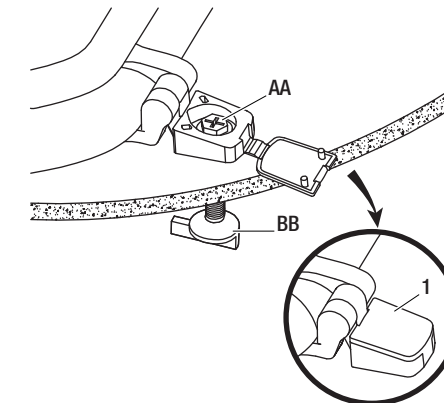
1 Preparing the seat

- Open the cover (1) on the seat hinge.
- Insert the bolt (AA) through the seat hinge and seat mounting hole.



2 Installing the seat

- From the underside of the bowl, thread the nut (BB) onto the end of the bolt (AA).
- Use a screwdriver to tighten the bolt (AA). Do not overtighten as this could damage the bowl. Repeat for the other bolt (AA) and nut (BB).
- Check the tightness of the seat to ensure it is secured to the bowl. Gradually tighten the bolts (AA) if necessary.
- When finished, close the hinge covers (1).



Warranty

LIMITED 1-YEAR WARRANTY

Glacier Bay products are manufactured with superior quality standards and workmanship and are backed by our limited one year warranty. Glacier Bay products are warranted to the original consumer purchaser to be free of defects in materials or workmanship. We will replace FREE OF CHARGE any product or parts that proves defective. Simply, return the product / part to any of The Home Depot retail locations or call 1-855-HD-GLACIER (1-855-434-5224) to receive the replacement item. Proof of purchase (original sales receipt) from the original consumer purchaser must be made available for all Glacier Bay warranty claims.

Some states and provinces do not allow the exclusion or limitation of incidental or consequential damages, so the above limitations may not apply to you. This warranty gives you specific legal rights and you may also have other rights that vary from state to state and province to province. Please see a store or contact 1-855-HD-GLACIER for more details.

Contact the Customer Service Team at 1-855-HD-GLACIER or visit www.HomeDepot.com/GlacierBay.



Questions, problems, missing parts? Before returning to the store, call Glacier Bay Customer Service
8 a.m. - 7 p.m., EST, Monday - Friday, 9 a.m. - 6 p.m., EST, Saturday

1-855-HD-GLACIER

HOMEDEPOT.COM/GLACIERBAY