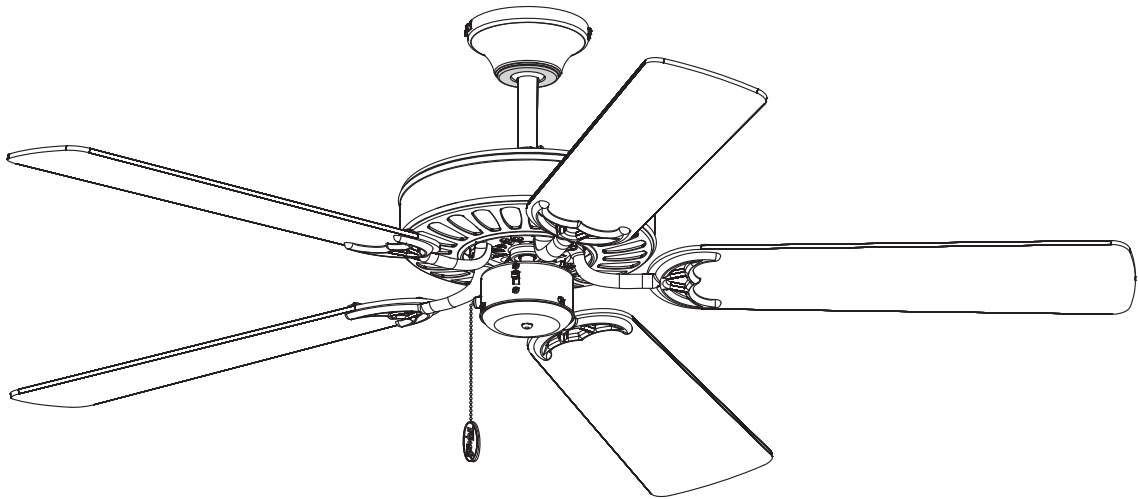


# Owner's Manual

**TroposAir**

ProSeries Builder Indoor



5BD52

This instruction contains 5 pages:

Page 1: Foreword

Page 2: Unpack and inspect parts contained

Page 3: Notes before installation

Page 3~4: Hanging system installation and Wire connection

Page 5: Canopy / Blade / Pull Chain Knob installation



Net weight

5.7 KGS.

12.5 LBS.

Toll Free: 1-855-676-7247

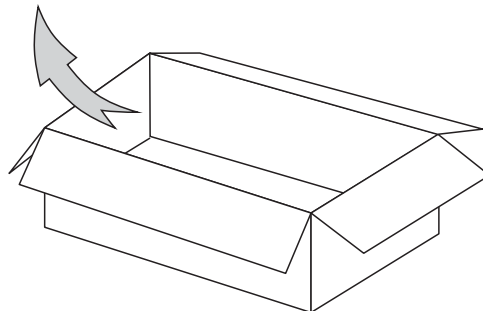
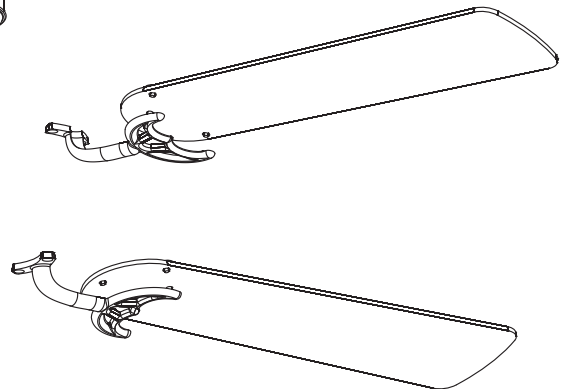
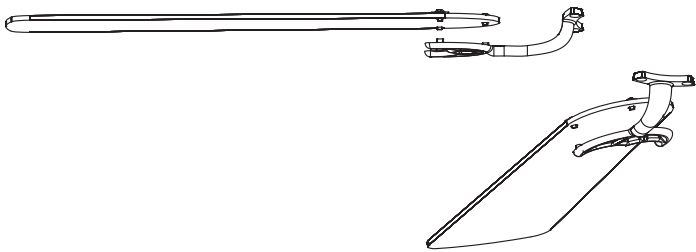
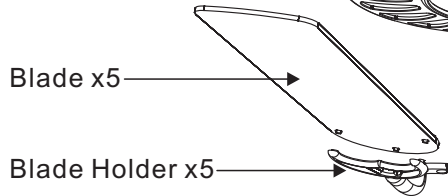
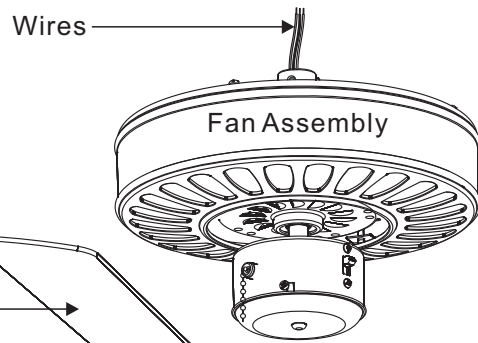
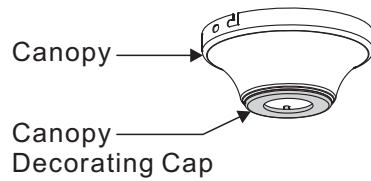
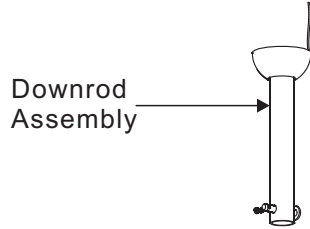
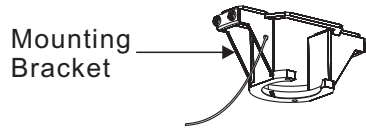
**WARNING** : Read and follow these instructions carefully and be mindful of all warnings shown throughout.

# READ AND SAVE THESE INSTRUCTIONS

## **WARNING : TO REDUCE THE RISK OF FIRE, ELECTRICAL SHOCK, OR INJURY TO PERSONS, PLEASE OBSERVE THE FOLLOWING :**





- 1]. To ensure the success of the installation, be sure to read the instructions and review the diagrams thoroughly before beginning.
- 2]. **To avoid possible electric shock, be sure electricity is turned off at the main power box before wiring.**  
All electrical connections must be made in accordance with local codes, ordinances and/or the National Electric Code. If you are unfamiliar with the methods of installing electrical wiring and products, secure the services of a qualified and licensed electrician as well as someone who can check the strength of the supportive ceiling members and make the proper installations and connections.
- 3]. Make sure that your installation site will not allow rotating fan blades to come in contact with any object. Blades should be at least 7 feet from floor when fan is in operation.
- 4]. If possible, mount ceiling fan on a ceiling joist - the joist must be able to support the motion and weight of the moving fan. If the fan will be mounted on a ceiling outlet box, a 4" x 2-1/8" deep METAL octagon box is required ; one UL listed as " suitable for fan support ". The box and its supporting members must not be able to twist or work loose. **DO NOT USE PLASTIC BOXES.** Installation on a concrete ceiling should be performed by qualified personnel.
- 5]. Blades should be attached after motor housing is hung and in place. Fan motor housing should be kept in carton until ready to be installed to protect its finish. If you are installing more than one ceiling fan, make sure that you do not mix fan blade sets.
- 6]. After making electrical connections, spliced conductors should be turned upward and pushed carefully up into outlet box. The wires should be spread apart with the grounded conductor and the equipment - grounding conductor on one side of the outlet box and the " HOT " wires on the other side.
- 7]. Electrical diagrams are for reference only. Light kits that are not packed with the fan must be UL/ETL listed and should be installed per the light kit's installation instructions.
- 8]. After fan is completely installed, check to make sure that all connections are secure to prevent fan from falling and/or causing damage or injury.
- 9]. The fan can be made to work immediately after installation. The bearings are adequately charged with grease, so that under normal conditions, further lubrication should not be necessary.
- 10]. The fan must be turned off and stopped before reversing fan direction.
- 11]. **This fan is suitable for three mounting ways: Downrod (standard)/ Flush (Hugger) / Slope ceiling.**
- 12]. **This fan is reversible.**
- 13]. **This fan is light kit adaptable.**
- 14]. **This fan is remote adaptable.**
- 15]. **This fan is suitable for indoor use.**

**Unpack and inspect fan carefully to be certain all contents are included.**



**Hardware Bag**


**For Mounting Bracket:**

- Flat Washer x2 
- Spring Washer x2 
- Machine Screw x2 
- Wood Screw x2 




**For Wire Connection:**

- Wire Nut x 3 


**For Flush Mount Only:**

- Canopy Set Screw x 3 



**For Blade Installation:**

- Blade Screw x 16 (one spare screw included) 
- Paper Washer x 16 (one spare washer included) 
- Motor Screw x 11 (one spare screw included) 

**For Fan :**

- Pull Chain Knob x1 

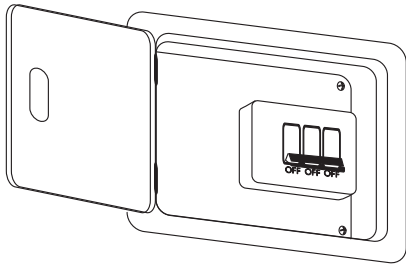
**For Blade Balance :**

- Balancing slide x 1 
- Weight block (3G x 3) 

## WARNING: blades should be at least 7 feet from floor

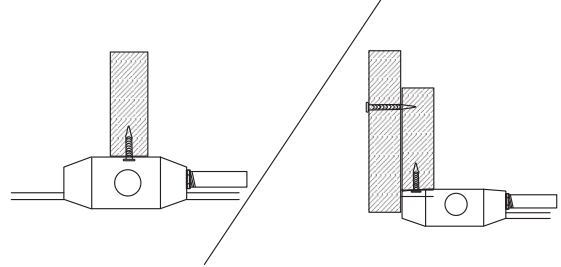
### Note 1:

Turn off power at breaker box to avoid possible electrical shock.



### Note 2:

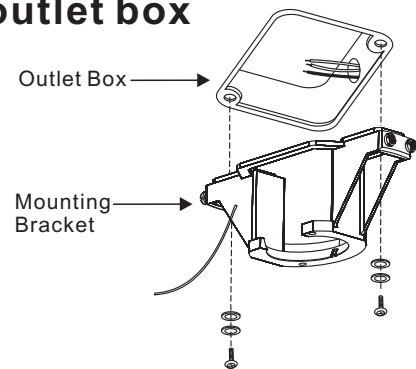
Use metal outlet box suitable for fan support. Outlet box must support 35 lbs min.



## 1. HANGING SYSTEM INSTALLATION

### 1A. Installing mounting bracket to ceiling outlet box

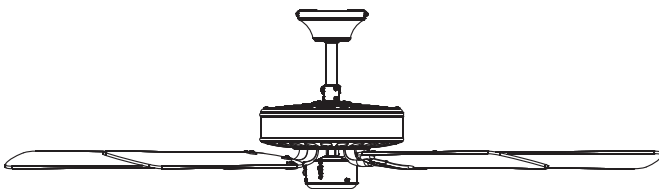
Install mounting bracket to outlet box in ceiling by using screws included with the outlet box and washers from the hardware bag.



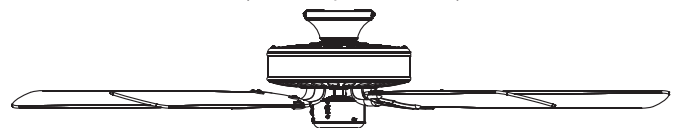
### 1B. This fan has two installation methods available:

- ① Downrod mount (Standard) : Please follow up Step 1C and 1D.
- ② Flush mount (Hugger) : Please directly go to Step 1E and 1F.

#### ① Downrod mount (See Step 1C and 1D)

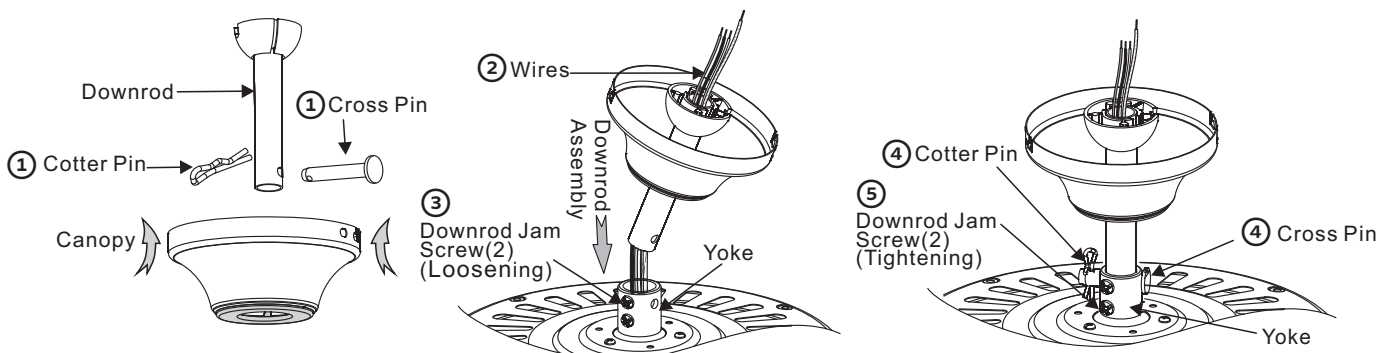


#### ② Flush mount (See Step 1E and 1F)



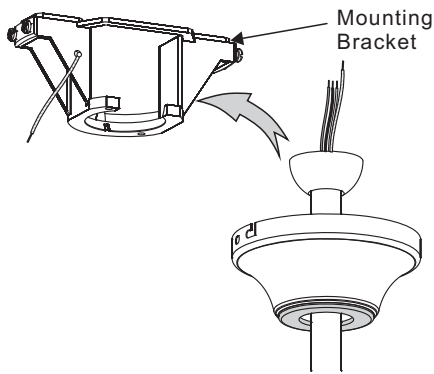
### 1C. Installing Downrod and Yoke (For Downrod mount)

- ① Remove cross pin and cotter pin from downrod.
- ② Insert downrod through canopy, and feed motor lead wires through downrod.
- ③ Loosen 2 downrod jam screws, at yoke. Insert downrod assembly into yoke.
- ④ Insert the cross pin through yoke & downrod and secure with cotter pin.
- ⑤ Tighten both downrod jam screws to further secure downrod.

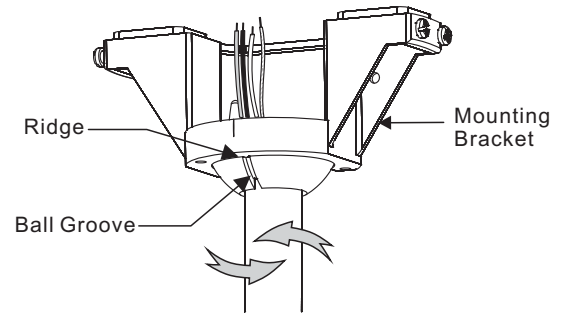


## 1D. Hanging the fan (For Downrod mount)

Lift fan assembly onto mounting bracket.

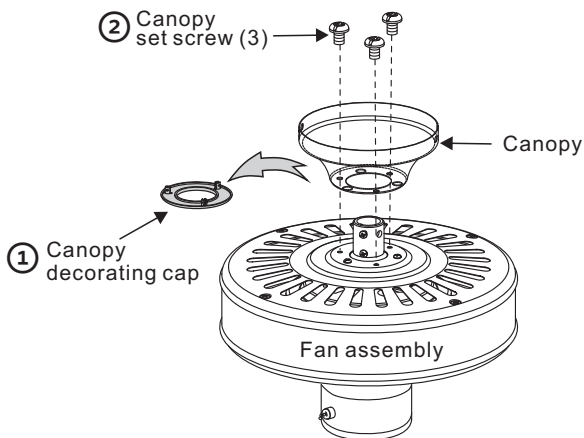


Rotate fan so that the groove on the ball engages the ridge in the mounting bracket.



## 1E. Canopy Assembly (For Flush mount)

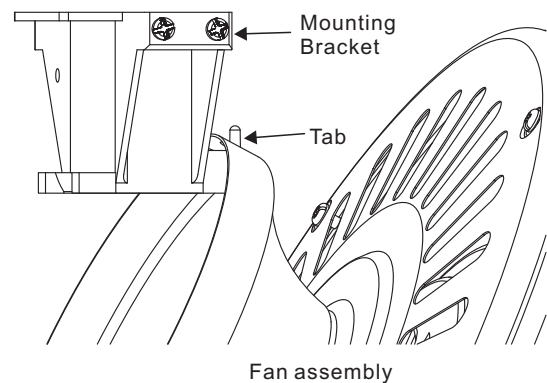
- ① Remove canopy decorating cap from bottom of canopy.
- ② Fasten 3 canopy set screws provided from hardware bag onto fan assembly firmly.



## 1F. Hanging the fan (For Flush mount)

Lift the fan assembly and hang onto the tab on mounting bracket.

**Note:** This will permit you to make the wire connections without having to hold the fan up as well.



## 2. WIRE CONNECTION

### Making electrical wire connection

Follow diagram below and make sure that all exposed wires are secured inside wire nuts or terminal block.  
Note : Wires from house may vary in color and may not include ground wire ( green ).

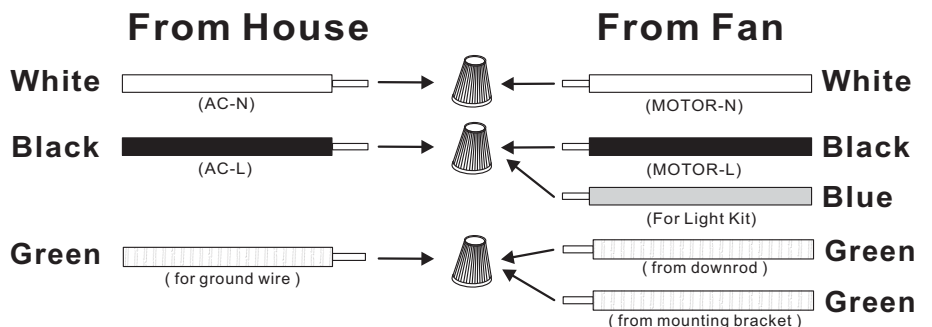
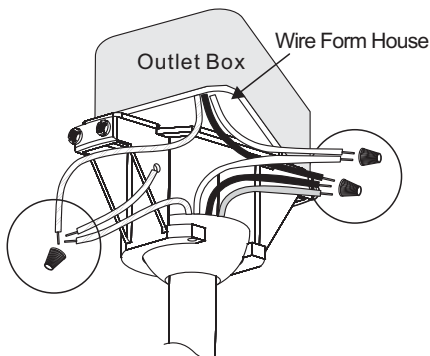
\*White wire from house to white wire from fan

\*Black wire from house to black wire and blue wire from fan

\*Ground wire from house to green wire from downrod and from mounting bracket

\*Secure with twist - lock wire nuts. (Included)

\*After wiring is completed, gently push wires into junction box with wire nuts pointing upward.

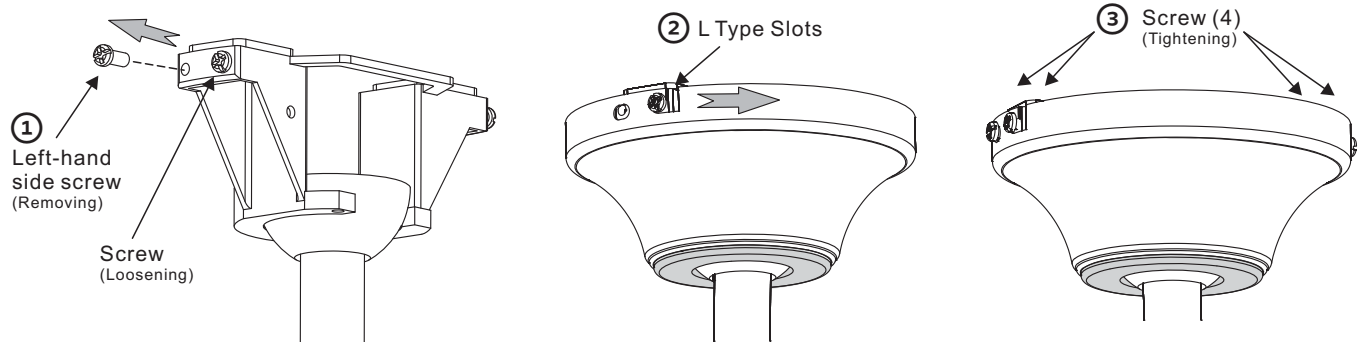


Secure with twist - lock wire nuts.

### 3. CANOPY INSTALLATION

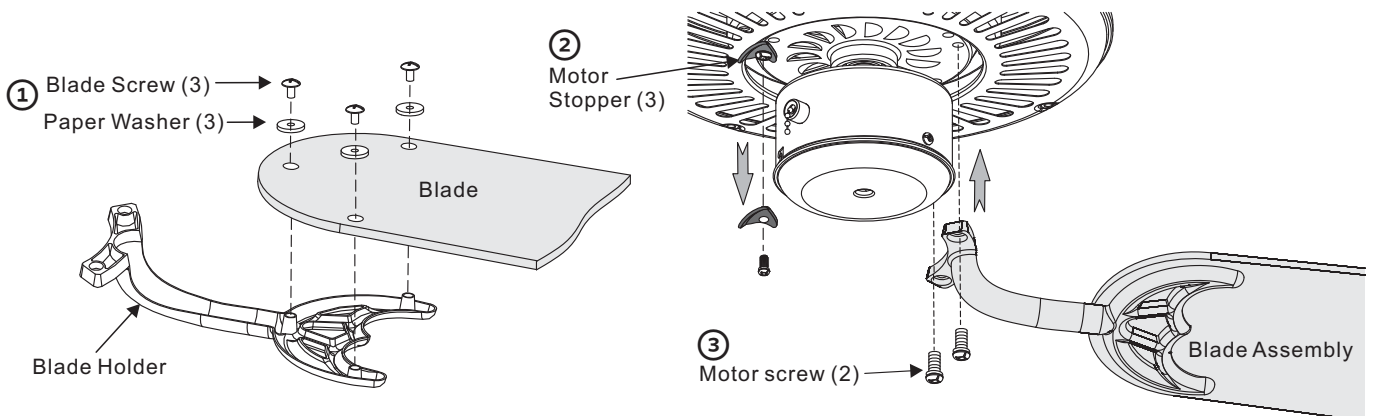
**Note:** Four screws are pre-screwed on mounting bracket for canopy installation.

- ① Remove left-hand side screw on mounting bracket first and loosen the other one.  
(**Note:** Please do the same for the other two screws on the across side of mounting bracket.)
- ② Rotate the canopy slightly until both two loosening screws are in the holes of L type slots.
- ③ Tighten 4 screws firmly.



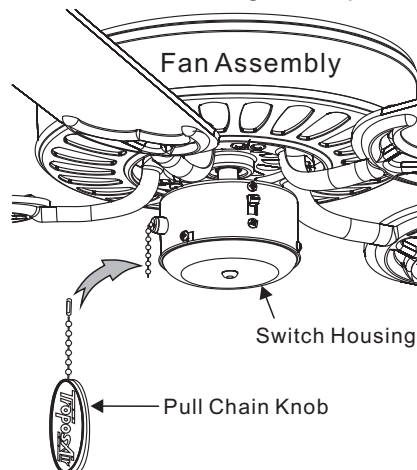
### 4. BLADE INSTALLATION

- ① Attach blade to blade holder with 3 blade screws and 3 paper washers provided from hardware bag. Make sure all screws are firmly tightened.
  - ② Remove 3 motor stoppers by removing screws.
  - ③ Secure Blade Assembly to the motor with 2 motor screws provided from hardware bag.
- NOTE:** To prevent wobble, do not bend blade or blade holder.



### 5. PULL CHAIN KNOB INSTALLATION

Connect Pull Chain Knob provided from hardware bag to the pull chain from switch housing.



**6. Turn on the power at breaker box - your fan is ready for operation.**