

RELIANT® NORMAL HEIGHT ROUND FRONT COMPLETE TOILET

3332.128S

- Vitreous china
- Meets definition for HET (High Efficiency Toilet)
- High Efficiency (1.28 gpf/4.8 Lpf)
- Meets EPA WaterSense® criteria
- Round Front siphon action bowl with direct-fed jet
- Generous 9" x 8" water surface area
- Fully glazed 2" Trapway
- Sanitary dam on bowl with three point tank stabilization
- Includes chrome-plated handle
- Great flush performance with a 2" Flapper flush valve
- 2 color-matched bolt caps
- Includes Slow Close seat
- Includes wax ring gasket with closet bolts
- 100% factory flush tested
- Lifetime warranty on chinaware, 2 year warranty on all mechanical parts, 1 year warranty on seat

Nominal Dimensions:

706 x 456 x 722mm
(27-13/16" x 17-15/16" x 28-7/16")

Compliance Certifications -

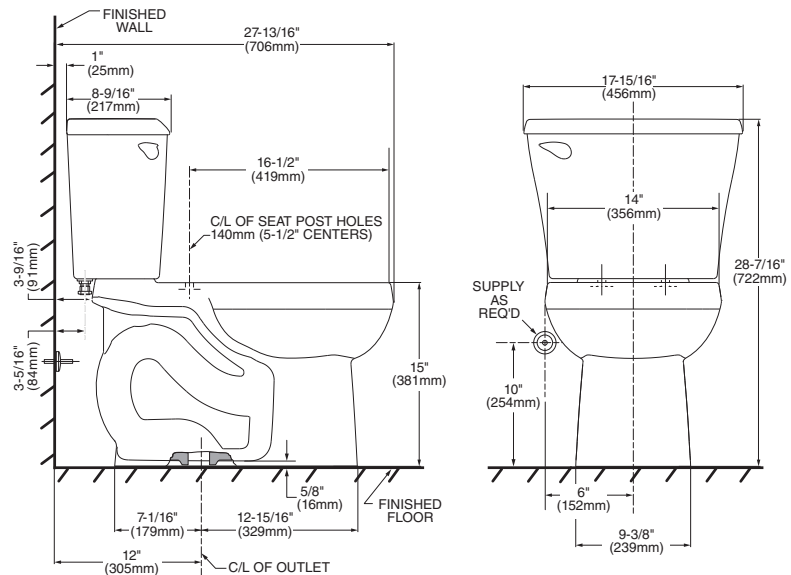
Meets or Exceeds the Following Specifications:

- ASME A112.19.2-2008/CSA B45.1-08 for Vitreous China Fixtures
- US EPA WaterSense® Specification for HET's

To Be Specified:

Color: White

Supply with stop:



NOTES:
THIS COMBINATION IS DESIGNED TO ROUGH-IN AT A MINIMUM DIMENSION OF 305MM (12") FROM FINISHED WALL TO C/L OF OUTLET.
* DIMENSION SHOWN FOR LOCATION OF SUPPLY IS SUGGESTED. SUPPLY NOT INCLUDED WITH FIXTURE AND MUST BE ORDERED SEPARATELY.

IMPORTANT: Dimensions of fixtures are nominal and may vary within the range of tolerance established by ANSI Standard A112.19.2
These measurements are subject to change or cancellation. No responsibility is assumed for use of superseded or voided pages.



WATER EFFICIENT



WaterSense
Meets EPA Criteria
Certified by WPMO RBT
EPA WATERSENSE®
CERTIFIED