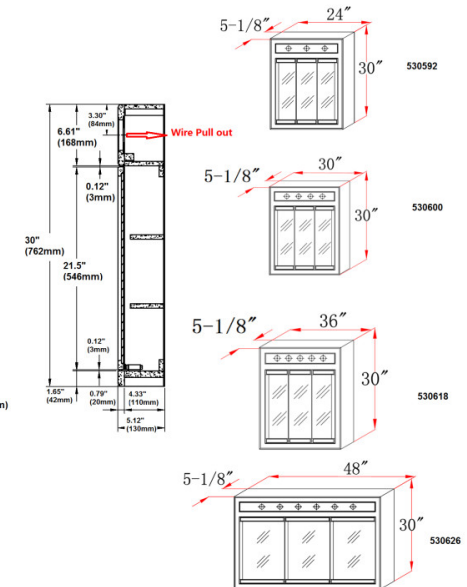
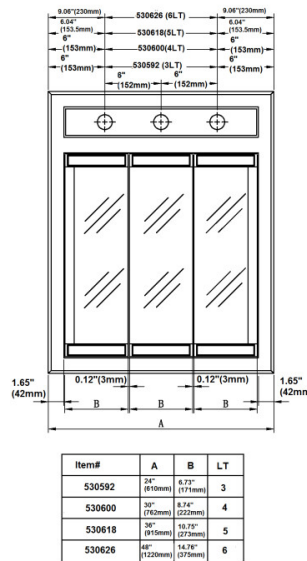


Richland 4-Light Tri-View Wall Cabinet 30" Nutmeg Oak



SPECIFICATIONS

MATERIAL CONSTRUCTION:	Wood	FACE FRAME MATERIAL:	Oak
ASSEMBLY REQUIRED:	No	SIDES MATERIAL:	MDF
TOOLS NEEDED FOR INSTALLATION:	Electric Drill, Screwdriver	BOTTOM MATERIAL:	Particle Board
ASSEMBLED DIMENSIONS:	30" H x 30" L x 5" D	BACK PANEL MATERIAL:	MDF
WEIGHT:	39 lbs.	BACK BRACE MATERIAL:	MDF
NUMBER OF DOORS:	3	GLASS STYLE:	Beveled Edges
DOOR MATERIAL:	Mirror	LIGHTED:	Yes
NUMBER OF SHELVES:	2	QTY OF LAMPS:	4
ADJUSTABLE SHELVES:	No	POWER SOURCE:	AC/DC
SHELF MAX WEIGHT CAPACITY:	10 lbs.	MOUNTING HARDWARE INCLUDED:	No
SHELF WIDTH:	28.7"	MOUNTING TYPE:	Surface
SHELF THICKNESS:	0.47"		
SHELF MATERIAL:	Particle Board		

WARRANTY: 1-Year limited warranty
 CARB COMPLIANT: CARB Phase 2
 TSCA TITLE IV COMPLIANT: Yes



TYPE:
 JOB:
 ORDER CODE:
 APPROVALS: