



	<b>4" Duct (Standard):</b> 80 CFM/<0.3 Sones @ 0.1" SP, 8.9 Watts 60 CFM/0.5 Sones @ 0.25" SP, 10.7 Watts	800 Lumens	2,700K		

**Description**

Low noise ceiling mount ventilating fan, rated for continuous running. ENERGY STAR® Most Efficient 2014. HVI, UL and cUL certified to comply with ASHRAE 62.2 local and whole building continuous and intermittent operation. Meets CA Title 24 requirements.

**Motor/Blower**

- Power rating of 120 volts/60Hz
- DC brushless motor engineered to run continuously
- Motor equipped with thermal cutoff fuse
- Removable with permanently lubricated plug-in motor

**Housing**

- Galvanized steel body
- Detachable 4" diameter metal duct adapter
- Built-in backdraft damper
- Easy installation with expandable extension bracket

**Grille**

- Attractive design using ABS material
- Attaches directly to housing with torsion springs

**Light**

- (1) 13-Watt LED main light and (1) 2-Watt LED night light
- Main light output 800 Lumens, 2700K

**LED Indicator**

- Green and amber LED indicator lights to show continuous low speed and full speed mode

**Warranty**

- 3-year limited warranty

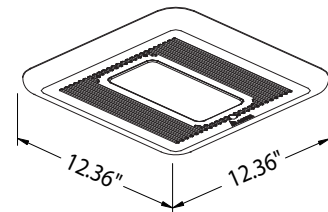
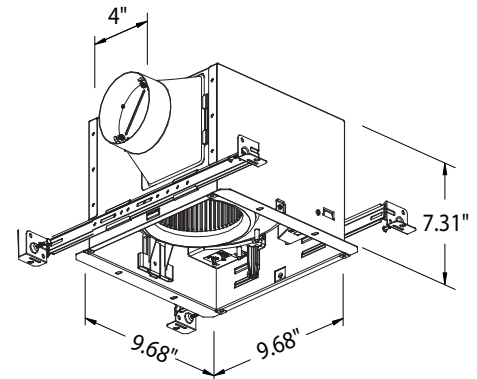
**Features**

- For ceiling mount only, airflow of 80 CFM (±10%) and <0.3 Sones at 0.1" static pressure
- Power consumption approximately 8.9 Watts with an efficiency rating approximately 9.3 CFM/Watt at 0.1" static pressure

- Duct diameter no less than 4"
- UL and cUL listed for tub/shower enclosure when used with GFCI-protected branch circuit wiring
- When motion sensor is detected, fan runs at full speed (80CFM), when user leaves, fan remains running at full speed until delay time has passed, fan runs continuously at a pre-set lower level (0, 40, 60 CFM)
- Delay time preset positions (0.5, 5, 15, 30, 45, 60 minutes)

**DC Motor Technology**

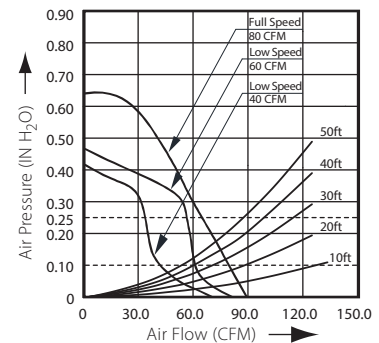
- Built-in soft start function to increase bearings' life
- Automatically powers OFF when impeller is locked abnormally



**Control Options**



Fan Curve



BreezSignature SIG80MLED	4" Duct (Standard)					
	0.1	0.25	0.1	0.25	0.1	0.25
Static Pressure (inches w.g.)	0.1	0.25	0.1	0.25	0.1	0.25
Air Flow (CFM)	40	40	60	56	80	60
Sones	<0.3	0.3	<0.3	0.4	<0.3	0.5
Power Consumption (Watts)	5.3	8.9	7.1	11.0	8.9	10.7
Energy Efficiency (CFM/Watt)	8.3	4.9	9.2	5.6	9.3	5.8
Current (Amps)	0.4 Max					
Power Rating (V/Hz)	120 / 60					
LED Main Light (Watt)	13					
LED Night Light (Watt)	2					

Model	Quantity	Comments	Project:
			Location:
			Architect:
			Engineer:
			Contractor:
			Submitted by:
			Date: