



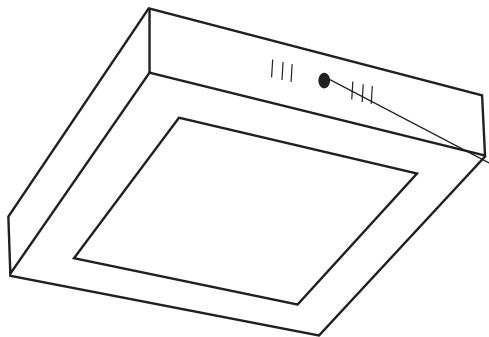
## SURFACE MOUNT PANEL LIGHT

## Install Guide

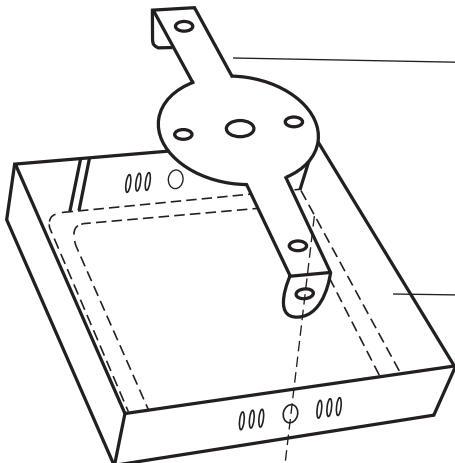
### WARNING

1. **Risk of electrical shock.** Disconnect power before servicing or installing product.
2. **Risk of injury or damage.** Unit will fall if not installed properly. Follow installation instructions.
3. This product must be installed in accordance with the applicable installation code by a person familiar with the construction and operation of the product and the hazards involved.
4. **Risk of injury.** Wear safety glasses and gloves during installation and servicing.

## TO INSTALL



1. Cut the power for the fixture being replaced.
2. Remove screws connecting the mounting bracket to the light.



3. Install mounting bracket to the ceiling using the hardware provided.
4. Install the fixture and connect fixture back to the mounting bracket

## ELECTRICAL CONNECTIONS

- a. Connect the black wire to line
- b. Connect the white wire to neutral
- c. Connect the green or green/yellow wire to ground

HOT	—●—	BLK
NEU	—●—	WHT
GRND	—●—	REN,GRN/YEL