

KA1UD33B

33 Inch Undermount Double Bowl
Stainless Steel Kitchen Sink

Kräus[®]

SPECIFICATION SHEET

Sink Dimensions

Overall Dimensions: 32 7/8" x 18 3/4"

Bowl Dimensions: 15 1/8" x 17"

Bowl Depth: 9"

Features

- 16 Gauge Stainless Steel Construction
- Type 18/10 Antibacterial Antibacterial Properties
 - 99.9% reduction of bacteria
 - Escherichia coli
 - Staphylococcus
- Double Bowl Undermount Sink
- Required Minimum Cabinet Size: 36" Left to Right, 24" Front to Back
- Rear Center-Set Drain
- 3 1/2" Drain Opening
- NoiseDefend Undercoating and Sound Dampening Pads

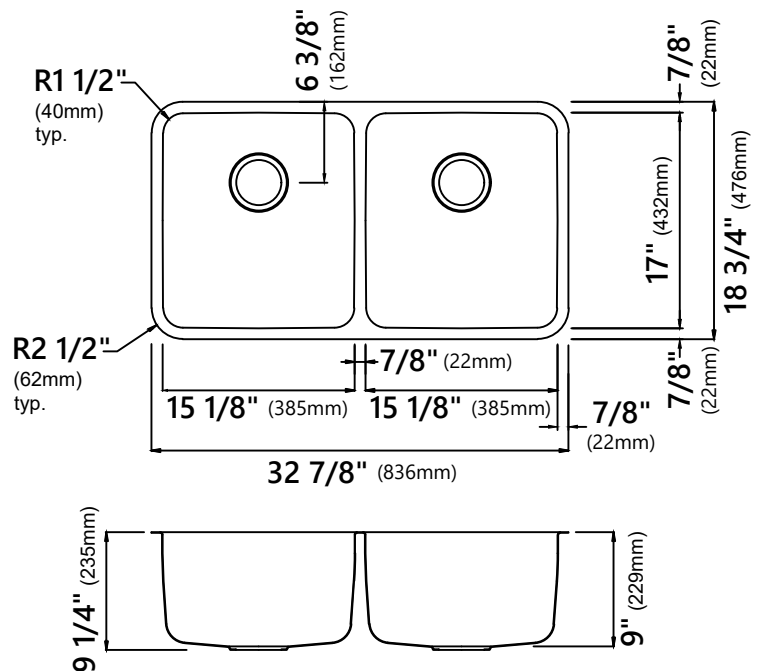
Accessories Included

- Strainer ST-4 x 2
- Bottom Grid BG1517 x 2
- Cut-Out Template
- Mounting Hardware

CODES/STANDARDS:

Product Certification

cUPC (ASME A112.19.3/CSA B45.4), MASS



Warranty

Kraus Limited Lifetime Warranty

see website for details www.kraususa.com