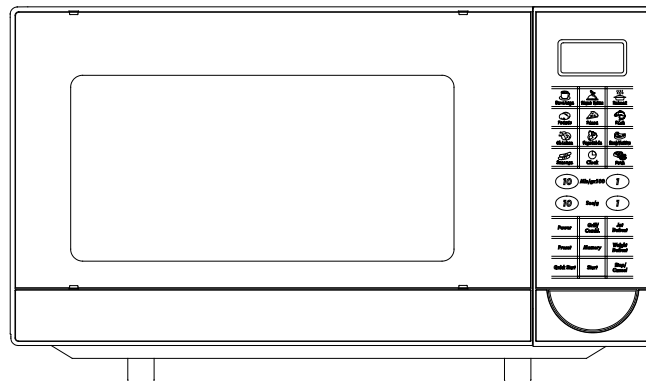




Microwave Oven

RMW1182



1. Please read these instructions carefully before installing and operating the oven. Keep them for further reference.
2. Record in the space below the SERIAL NO. found on the nameplate on your oven and retain this information for future reference.

SERIAL NO.:

3. Please save sales receipt for warranty.

PRECAUTIONS TO AVOID POSSIBLE EXPOSURE TO EXCESSIVE MICROWAVE ENERGY

1. Do not attempt to operate this oven with the door-open since open-door operation can result in harmful exposure to microwave energy. It is important not to defeat or tamper with the safety interlocks.
2. Do not place any object between the oven front face and the door or allow soil or cleaner residue to accumulate on sealing surfaces.
3. Do not operate the oven if it is damaged. It is particularly important that the oven door close properly and that there is no damage to the:
 - a. Door (bent),
 - b. Hinges and latches (broken or loosened),
 - c. Door seals and sealing surfaces.
4. The oven should not be adjusted or repaired by anyone except properly qualified service personnel.

CONTENT

PRECAUTIONS TO AVOID POSSIBLE EXPOSURE TO EXCESSIVE MICROWAVE ENERGY	1
IMPORTANT SAFETY INSTRUCTIONS.....	2
INSTALLATION GUIDE	4
GROUNDING INSTRUCTIONS	4
UTENSILS GUIDE	5
COOKING TECHNIQUES	6
SPECIFICATIONS.....	7
PART NAMES	7
CONTROL PANEL	8
HOW TO SET THE OVEN CONTROLS	9
Setting the clock.....	9
Microwave cooking.....	9
Grill cooking.....	9
Combination cooking.....	10
Defrost by weight.....	10
Jet Defrost.....	10
Multi-stage Cooking.....	11
Preset.....	11
Quick start	11
Child Lock.....	12
Auto Cook.....	12
CLEANING AND CARE.....	13

IMPORTANT SAFETY INSTRUCTIONS

When using electrical appliances, basic safety precautions should be followed, including the following:

WARNING - To reduce the risk of burns, electric shock, fire, injury to persons or exposure to excessive microwave energy:

1. Read all instructions before using the appliance.
2. Read and follow the specific "PRECAUTIONS TO AVOID POSSIBLE EXPOSURE TO EXCESSIVE MICROWAVE ENERGY" on page 1.
3. This appliance must be grounded. Connect only to properly grounded outlet. See "GROUNDING INSTRUCTIONS" on page 4.
4. Install or locate this appliance only in accordance with the provided installation instructions.
5. Some products such as whole eggs and sealed containers -for example, closed glass jars- are able to explode and should not be heated in this oven.
6. Use this appliance only for its intended use as described in this manual. Do not use corrosive chemicals or vapors in this appliance. This type of oven is specifically designed to heat, cook, or dry food. It is not designed for industrial or laboratory use.
7. As with any appliance, close supervision is necessary when used by children.
8. To reduce the risk of fire in the oven cavity:
 - a. Do not overcook food. Carefully attend appliance when paper, plastic, or other combustible materials are placed inside the oven to facilitate cooking.
 - b. Remove wire twist-ties from paper or plastic bags before placing bag in oven.
 - c. If materials inside the oven should ignite, keep oven door closed, turn oven off, and disconnect the power cord or shut off power at the fuse or circuit breaker panel.
 - d. Do not use the cavity for storage purposes. Do not leave paper products, cooking utensils or food in the cavity when not in use.
9. Liquids, such as water, coffee, or tea are able to be overheated beyond the boiling point

without appearing to be boiling due to surface tension of the liquid. Visible bubbling or boiling when the container is removed from the microwave oven is not always present. **THEIS COULD RESULT IN VERY HOT LIQUIDS SUDDENLY BOILING OVER WHEN A SPOON OR OTHER UTENSIL IS INSERTED INTO THE LIQUID.** To reduce the risk of injury to person:

- a. Do not overheat the liquid.
 - b. Stir the liquid both before and halfway through heating it.
 - c. Do not use straight-sided containers with narrow necks.
 - d. After heating, allow the container to stand in the microwave oven for a short time before removing the container.
 - e. Use extreme care when inserting a spoon or other utensil into the container.
10. Do not heat oil or fat for deep-frying. It is difficult to control the temperature of oil in microwave oven.
 11. Pierce foods with heavy skins such as potatoes, whole squash, apples and chestnuts before cooking.
 12. The contents of feeding bottles and baby jars should be stirred or shaken and the temperature should be checked before serving in order to avoid burns.
 13. Cooking utensils may become hot because of heat transferred from the heated food. Potholders may be needed to handle the utensil.
 14. Do not cover or block any openings on the appliance.
 15. Do not store or use this appliance outdoors. Do not use this product near water, for example, near a kitchen sink, in a wet basement, near a swimming pool, or similar locations.
 16. Do not operate this appliance if it has a damaged cord or a plug, if it is not working properly or if it has been damaged or dropped.
 17. Do not immerse cord or plug in water. Keep cord away from heated surface. Do not let cord hang over edge of table or counter.



SAVE THESE INSTRUCTIONS

18. Use only thermometers, which are specifically designed for use in microwave ovens.
19. Do not operate any heating or cooking appliance beneath this appliance.
20. Be certain the glass tray and roller rings are in place when you operate the oven.
21. This appliance should be serviced only by qualified service personnel, contact nearest authorized service facility for examination, repair, or adjustment.
22. When cleaning surfaces of door and oven that comes together on closing the door, use only mild, nonabrasive soaps, or detergents applied with a sponge or soft cloth.
23. This equipment generates, uses and can radiate radio frequency energy and, if not installed and used in accordance with the instructions, may cause harmful interference to radio communications. However, there is no guarantee that interference will not occur

in a particular installation. If this equipment does cause harmful interference to radio or television reception, which can be determined by turning the equipment off and on, the user is encouraged to try to correct the interference by one or more of the following measures:

- Reorient or relocate the receiving antenna.
- Increase the separation between the equipment and receiver.
- Connect the equipment into an outlet on a circuit different from that to which the receiver is connected.
- Consult the dealer or an experienced radio/TV technician for help.



SAVE THESE INSTRUCTIONS

INSTALLATION GUIDE

1. Make sure that all the packing materials are removed from the inside of the door.
2. Check the oven for any damage, such as misaligned or bent door, damaged door seals and sealing surface, broken or loose door hinges and latches and dents inside the cavity or on the door. If there is any damage, do not operate the oven but contact qualified service personnel.
3. This microwave oven must be placed on a flat, stable surface to hold its weight and the heaviest food likely to be cooked in the oven.
4. Do not place the oven where heat, moisture, or high humidity are generated, or near combustible materials.
5. For correct operation, the oven must have sufficient airflow. Allow 20cm of space above the oven, 10cm at back and 5cm at both sides. Do not cover or block any openings on the appliance. Do not remove feet on which oven stands.
6. The appliance shall be only used on a countertop over 3 feet above the floor.
7. Do not operate the oven without glass tray, roller support, and shaft in their proper positions.
8. Make sure that the power supply cord is undamaged and does not run under the oven or over any hot or sharp surface.
9. The socket must be readily accessible so that it can be easily unplugged in an emergency.

GROUNDING INSTRUCTIONS

This appliance must be grounded. In the event of an electrical short circuit, grounding reduces risk of electric shock by providing an escape wire for the electric current.

WARNING Improper use of the grounding plug can result in a risk of electric shock.

Consult a qualified electrician or serviceman if the grounding instructions are not completely understood, or if doubt exists as to whether the appliance is properly grounded, and either:

- 1) If it is necessary to use an extension cord, use only a 3-wire extension cord that has a 3-blade grounding plug and a 3-slot receptacle that will accept the plug on the appliance. The marked rating of the

extension cord shall be equal to or greater than the electrical rating of the appliance, or
2) Do not use an extension cord. If the power supply cord is too short, have a qualified electrician or serviceman install an outlet near the appliance.

ELECTRICAL REQUIREMENTS

The electrical requirements are a 120 volt 60 Hz, AC only, 20 amp. It is recommended that a separate circuit serving only the oven be provided. The oven is equipped with a 3-prong grounding plug. It must be plugged into a wall receptacle that is properly installed and grounded.

Power Supply Cord

1. A short power supply cord is provided to reduce the risks resulting from becoming entangled in or tripping over a longer cord.
2. Longer cord sets or extension cords are available and may be used if care is exercised in their use.
3. If long cord or extension cord is used:
 - a) The marked electrical rating of the cord set or extension cord should be at least as great as the electrical rating of the appliance.
 - b) The extension cord must be a grounding-type 3-wire cord, and The longer cord should be arranged so that it will not drape over the counter top or table top where it can be pulled on by children or tripped over unintentionally.

Notes:

If you have any questions about the grounding or electrical instructions, consult a qualified electrician or service person.

Neither RCA nor the dealer can accept any liability for damage to the oven or personal injury resulting from failure to observe the electrical connection procedures.

Radio or TV Interference

Should there be any interference caused by the microwave oven to your radio or TV, check that the microwave oven is on a different circuit, relocated the radio or TV as far away from the oven as feasible or check position and signal of receiving antenna.

UTENSILS GUIDE

This section lists which utensils can be used in the microwave, which ones have limited use for short periods, and which ones should not be used in the microwave.



RECOMMENDED

Microwave browning dish — Use to brown the exterior of small items such as steaks, chops, or pancakes. Follow the directions provided with your browning dish.

Microwaveable plastic wrap — Use to retain steam. Leave a small opening for some steam to escape and avoid placing it directly on the food.

Paper towels and napkins — Use for short-term heating and covering; these absorb excess moisture and prevent spattering. Do not use recycled paper towels, which may contain metal and could ignite.

Glass and glass-ceramic bowls and dishes — Use for heating or cooking.

Paper plates and cups — Use for short-term

heating at low temperatures. Do not use recycled paper, which may contain metal and could ignite.

Wax paper — Use as a cover to prevent spattering.

Thermometers — Use only those labeled "Microwave Safe" and follow all directions. Check the food in several places. Conventional thermometers may be used on microwave food once the food has been removed from the oven.

▲ LIMITED USE

Aluminum foil — Use narrow strips of foil to prevent overcooking of exposed areas. Using too much foil can damage your oven, so be careful. You should keep distance of 1 inch (2.54cm) between aluminum foil and cavity.

Ceramic, porcelain, and stoneware — Use these if they are labeled "Microwave Safe". If they are not labeled, test them to make sure they can be used safely.

Plastic — Use only if labeled "Microwave Safe". Other plastics can melt.

✘ NOT RECOMMENDED

Glass jars and bottles — Regular glass is too thin to be used in a microwave. It can shatter and cause damage and injury.

Paper bags — These are a fire hazard, except for popcorn bags that are designed for microwave use.

Styrofoam plates and cups — These can

melt and leave an unhealthy residue on food.

Plastic storage and food containers — Containers such as margarine tubs can melt in the microwave.

Metal utensils — These can damage your oven. Remove all metal before cooking.

Note:

Should you wish to check if a dish is safe for microwaving, place the empty dish in the oven and microwave on HIGH for 30 seconds. A dish which becomes very hot should not be used.

COOKING TECHNIQUES

Your microwave makes cooking easier than conventional cooking, provided you keep these considerations in mind:

STIRRING

Stir foods such as casseroles and vegetables while cooking to distribute heat evenly. Food at the outside of the dish absorbs more energy and heats more quickly, so stir from the outside to the center. The oven will turn off when you open the door to stir your food.

ARRANGEMENT

Arrange unevenly shaped foods, such as chicken pieces or chops, with the thicker, meatier parts toward the outside of the turntable where they receive more microwave energy. To prevent overcooking, place delicate areas, such as asparagus tips, toward the center of the turntable.

SHIELDING

Shield food with narrow strips of aluminum foil to prevent overcooking. Areas that need shielding include poultry wing tips, the ends of poultry legs, and corners of square baking dishes. Use only small amounts of aluminum foil. Larger amounts can damage your oven.

TURNING

Turn foods over midway through cooking to expose all parts to microwave energy. This is especially important with large foods such as roasts.

STANDING

Foods cooked in the microwave build up internal heat and continue to cook for a few minutes after heating stops. Let foods stand to complete cooking, especially foods such as cakes and whole vegetables. Roasts need this time to complete cooking in the center without overcooking the outer areas. All liquids, such as soup or hot chocolate, should be shaken or stirred when cooking is complete. Let liquids stand a moment before serving. When heating baby food, stir well at removal and test the temperature before serving.

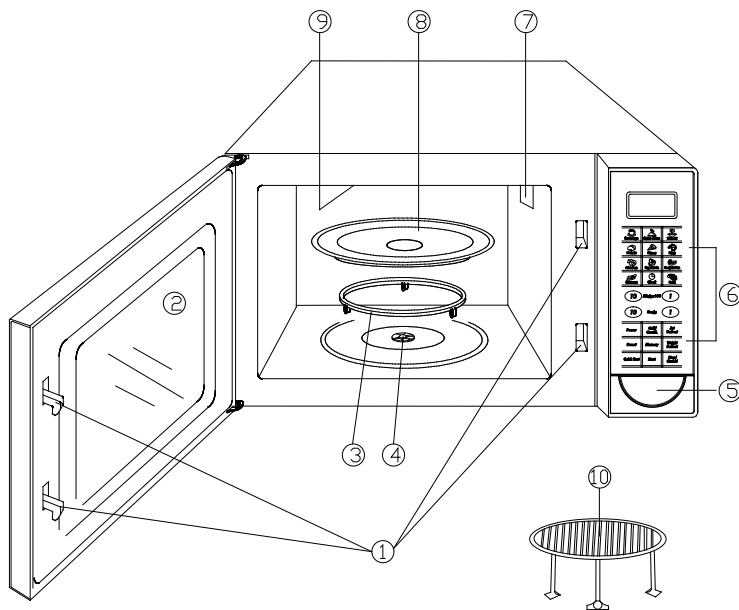
ADDING MOISTURE

Microwave energy is attracted to water molecules. Food that is uneven in moisture content should be covered or allowed to stand so that the heat disperses evenly. Add a small amount of water to dry food to help it cook

SPECIFICATIONS

Power Consumption:	120V~60Hz, 1500W (Microwave)
	1050W (Grill)
Output:	1000W
Operation Frequency:	2450MHz
Outside Dimensions(H×W×D):	11.8×21.2×15.7 in.
Oven Cavity Dimensions(H×W×D):	9.4×13.9×14.1 in.
Oven Capacity:	1.1 cu.ft
Cooking Uniformity:	Turntable System
Net Weight:	Approx. 36.2 lb.

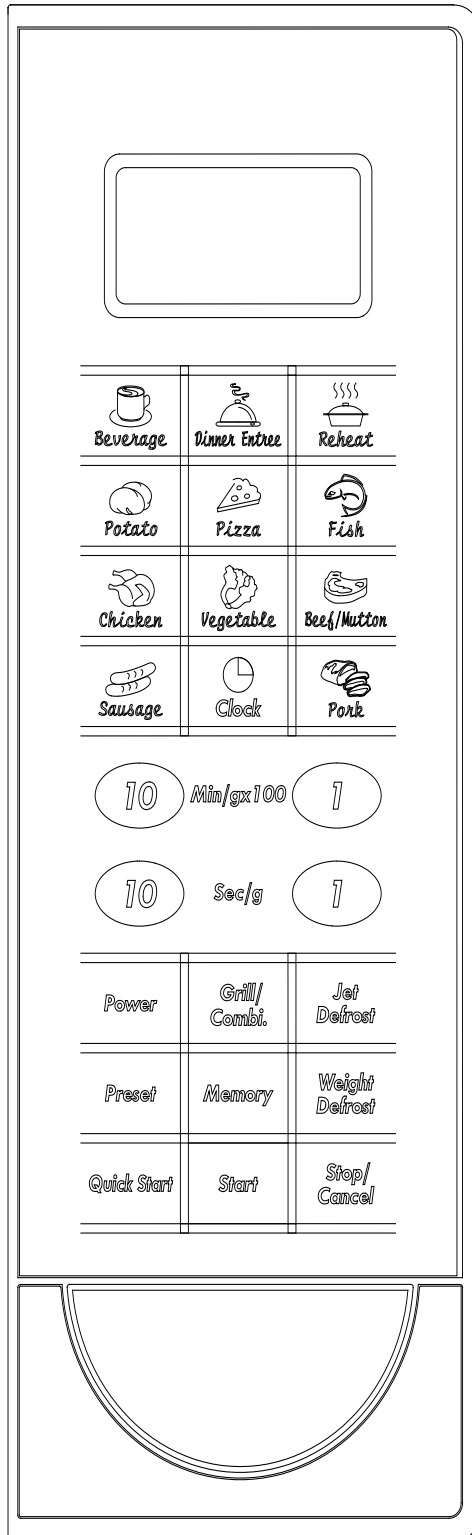
PART NAMES



1. **Door Safety Lock System**
2. **Oven Window**
3. **Roller Ring**
4. **Shaft**
5. **Door release button**
6. **Control Panel**
7. **Wave Guide**
8. **Glass Tray**
9. **Grill Heater**
10. **Metal Rack**

DO NOT REMOVE THE CARDBOARD OVEN AIR VENT COVER THAT IS INSIDE THE MICROWAVE!

CONTROL PANEL



- MENU ACTION SCREEN
 - ∅ Cooking time, power, action indicators, and clock time are displayed.
- NUMBER PADS
 - ∅ Touch to enter clock time, cooking time or food weight.
- QUICK COOK PADS
 - ∅ Instant settings to cook popular foods.
- POWER
 - ∅ Touch once or repeatedly to set microwave cooking power.
- GRILL/COMBI.
 - ∅ Touch up to three times to choose a cooking mode.
- CLOCK
 - ∅ Touch to set the digital clock.
- PRESET
 - ∅ Delay start control allows you to put food into the oven and program it to start cooking at a later time.
- MEMORY
 - ∅ Use for setting a multistage cooking program.
- JET DEFROST
 - ∅ Touch to set defrost program based on the time you entered.
- WEIGHT DEFROST
 - ∅ Touch to set defrost program based on the weight of the foods to be defrosted.
- QUICK START
 - ∅ Touch to start the oven quickly at full microwave power.
- STOP/CANCEL
 - ∅ Touch to clear entry before setting a cooking program.
 - ∅ Touch once to temporarily stop cooking or twice to cancel cooking.
 - ∅ Touch and hold to set child lock.
- START
 - ∅ Touch to start a cooking program.

HOW TO SET THE OVEN CONTROLS

SETTING THE CLOCK

Suppose you want to set the time for 8: 35 (AM).

1. Touch CLOCK pad once or twice to set the clock in 12-hour cycle or 24-hour cycle.
2. Use the number pads to enter the correct time 8:35.
3. Touch CLOCK pad again to confirm.

NOTE: You can check the clock time during cooking by touching the CLOCK pad.

MICROWAVE COOKING

To cook with microwave, time and power level should be set. The longest cooking time is 99 minutes and 99 seconds. Suppose you want to cook for 5 minutes at 60% of microwave power.

1. Touch POWER pad 3 times.
2. Use the number pads to set a cooking time.
3. Touch START pad.

-----POWER PAD-----

By touching the POWER pad, you can select one of the following microwave power levels:

Touch	Power Level	Description
Once	100%	High
Twice	80%	M. High
Thrice	60%	Medium
4 times	40%	M. Low
5 times	20%	Low
6 times	0%	zero

GRILL COOKING

Grill cooking is particularly useful for thin slices of meat, steaks, chops, kebabs, sausages or piece of chicken. It is also suitable for hot sandwiches and au gratin dishes. The longest cooking time is 99 minutes and 99 seconds.

Suppose you want to grill for 12 minutes.

1. Touch GRILL/COMBI. pad once.
2. Use the number pads to set a cooking time.
3. Touch START pad.

COMBINATION COOKING

The longest cooking time is 99 minutes and 99 seconds.

Combination 1:

35% of time for microwave cooking, 65% for grill cooking. It is recommended for fish, potatoes or au gratin.

Combination 2:

55% of time for microwave cooking, 45% for grill cooking. Use for puddings, omelets, baked potatoes and poultry.

Suppose you want to cook with COMBINATION cooking mode for 25 minutes.

1. Touch GRILL/COMBI. pad twice or 3 times.
2. Use the number pads to set a cooking time.
3. Touch START pad.

DEFROST BY WEIGHT

The oven can defrost food like meat, poultry, and seafood. The time and the defrosting power are adjusted automatically once the category and weight of food is programmed.

The maximum allowable weight for each category is shown below.

Food category	Maximum weight	Display
Meat	2300g	d1
Poultry	3000g	d2
Seafood	1000g	d3

FOR EXAMPLE: Suppose you want to defrost 600g of shrimp.

1. Place the shrimp to be defrosted into the oven.
2. Touch WEIGHT DEFROST until d3 appears on screen.
3. Use the number pads to enter weight.
4. Touch START pad.

Note: For food exceeds the allowed weight for defrost, please use the Jet Defrost.

During defrosting program, the system will sound beeps to remind user to turn food over, and then press START to resume the defrosting.

JET DEFROST

The longest defrosting time you can enter is 99 minutes and 99 seconds.

Suppose you want to set the oven to JET DEFROST for 5 minutes.

1. Touch JET DEFROST pad.
2. Use the number pads to set a cooking time.
3. Touch START pad.

Note: During defrosting program, the system will sound beeps to remind user to turn food over, and then press START to resume the defrosting.

MULTI-STAGE COOKING

Your oven can be programmed for up to 3 automatic cooking sequences.

Suppose you want to set the following cooking program:

- ① JET DEFROST;
- ② Microwave cooking;
- ③ Grill cooking.

Step:

1. Touch STOP/CANCEL pad once.
2. Input Jet defrost program.
3. Touch MEMORY pad.
4. Input microwave cooking program.
5. Touch MEMORY pad.
6. Input grill cooking program.
7. Touch START pad.

NOTE: JET DEFROST or WEIGHT DEFROST can be only set as the first stage in a multistage cooking program while QUICK START or AUTO COOK is unavailable.

The respective lights (1S, 2S, 3S) will on to indicate which stage the oven is operating.

PRESET

This function allows the oven to start in a later time.

Suppose now it is 11:10 and you want the oven to start cooking at 11:30.

Step:

1. Set a cooking program.
2. Touch PRESET pad.
3. Use the number pads to enter the time 11:30 when the cooking program starts.
4. Touch START pad.

NOTE: Make sure that the food is placed into the oven in advance.

End will display with beeps to remind the program is over.

QUICK START

This function allows you to cook food quickly at microwave full power.

Touch the QUICK START pad once or repeatedly to set cooking time up to 99 minutes, the oven starts work at full power level immediately.



CHILD LOCK

Use the convenient CHILD LOCK to prevent little ones from injuring themselves or damaging the oven. Once the CHILD LOCK is activated, indicator LOCK will be displayed on screen, and the oven cannot be operated.

Activate the CHILD LOCK: Touch and hold the STOP/CANCEL pad for 3 seconds, a beep sounds and LOCK indicator lights.

Deactivate the CHILD LOCK: Touch and hold the STOP/CANCEL pad for 3 seconds until LOCK indicator disappears from the screen. The system will return to normal.

AUTO COOK

For the following cooking mode, it is not necessary to program the time and the cooking power. It is sufficient to indicate the type of food that you want to cook as well as the weight of this food. In order to do this, touch the individual icon pad of the food you are going to cook, the first of a number of preset weight parameters will appear, choose the one that's equivalent to the weight of food you have placed in the oven. The oven begins cooking once the START pad is engaged.

For example, cook 400g fish.

1. Touch FISH pad to select the weight of 400g.
2. Touch START pad.

Auto Cook Menu

List	Food/cooking mode	Touch food icon to indicate weight of food
1	Beverage (200ml each)	<ol style="list-style-type: none">1. When cooking chicken, beef/mutton, sausage or pork, the oven will pause and sound signals to remind you to turn food over to get ideal cooking effect, then press START to resume the rest program.2. The screen will show the weight or share of food when touching the food icon pad, choose the one you need.
2	Dinner Entree (share)	
3	Reheat (g)	
4	Potato (g)	
5	Vegetable (g)	
6	Pizza (g)	
7	Chicken (g)	
8	Fish (g)	
9	Sausage (g)	
10	Pork (g)	
11	Beef/Mutton (g)	

Note:

The result of auto cooking depends on factors such as fluctuation of voltage, the shape and size of food, your personal preference as to the doneness of certain foods and even how well you happen to place food in the oven. If you find the result at any rate not quite satisfactory, please adjust the cooking time a little bit accordingly.

CLEANING AND CARE

1. Turn off the oven and remove the power plug from the wall socket before cleaning.
2. Keep the inside of the oven clean. When food splatters or spilled liquids adhere to oven walls, wipe them with a damp cloth. Mild detergent may be used if the oven gets very dirty. Avoid the use of spray and other harsh cleaners as they may stain, streak or dull the door surface.
3. The outside surfaces should be cleaned with a damp cloth. To prevent damage to the operating parts inside the oven, water should not be allowed to seep into the ventilation openings.
4. Wipe the door and window on both sides, as well as the door seals and adjacent parts frequently with a damp cloth to remove any spills or splatters. Do not use abrasive cleaner.
5. Do not allow the control panel to become wet. Clean with a soft, damp cloth. When cleaning the control panel, leave oven door open to prevent oven from accidentally turning on.
6. If steam accumulates inside or around the outside of the oven door, wipe with a soft cloth. This may occur when the microwave oven is operated under high humidity condition.
7. It is occasionally necessary to remove the glass tray for cleaning. Wash the tray in warm sudsy water or in a dishwasher.
8. The roller ring and oven floor should be cleaned regularly to avoid excessive noise. Simply wipe the bottom surface of the oven with mild detergent. The roller ring may be washed in mild sudsy water or dishwasher. When removing the roller ring from cavity floor for cleaning, be sure to replace in the proper position.
9. Remove odors from your oven by combining a cup of water with the juice and skin of one lemon in a deep microwaveable bowl, microwave for 5 minutes. Wipe thoroughly and dry with a soft cloth.
10. When it becomes necessary to replace the oven light, please consult a dealer to have it replaced.
11. The oven should be cleaned regularly and any food deposits removed. Failure to maintain the oven in a clean condition could lead to deterioration of the surface that could adversely affect the life of the appliance and possibly result in a hazardous situation.
12. Please do not dispose this appliance into the domestic rubbish bin, it should be disposed to the particular disposal center provided by the municipalities.
13. When the microwave ovens have grill function is first used, it may produce slight smoke and smell. This is a normal phenomenon, because the oven is made of a steel plate coated with lubricating oil, and the new oven will produce fumes and odor generated by burning the lubricating oil. This phenomenon will disappear after a period of using.