

# UNC15NJII

## 15" Built-In Gourmet Clear Nugget Ice Maker

### DIMENSIONS AND INSTALLATION INFORMATION (IN INCHES)

#### DIMENSIONS

H 33-7/8" - 34-7/8"

W 14-7/8"

D 22-3/4"

#### NOTE:

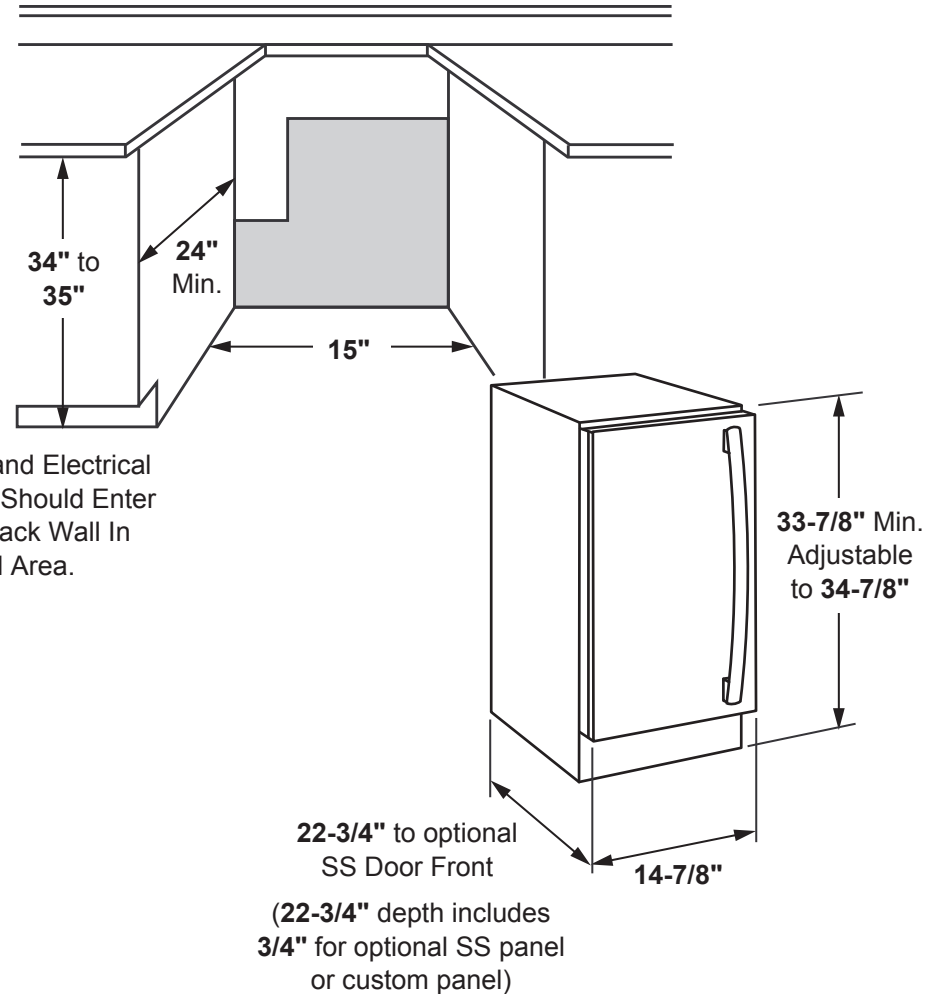
The finished cut-out is determined by the type of installation. Before installing, consult installation instructions packed with product for current dimensional data.

#### WARRANTY INFORMATION:

Limited one-year warranty, in-home service, parts and labor.\*

Limited five-year warranty, parts and labor on the compressor, evaporator and all connecting tubing.\*

\*See written warranty for complete details.



For answers to your Monogram, GE Café™ Series, GE Profile™ Series or GE Appliances product questions, visit our website at [geappliances.com](http://geappliances.com) or call GE Answer Center® Service, 800.626.2000.

# UNC15NJII

## *15" Built-In Gourmet Clear Nugget Ice Maker*

### **INSTALLATION INFORMATION**

The ice machine can be used free-standing or as a built-in, under the countertop.

The ice machine requires a 115 Volt, 60 Hz., AC only power supply, with an individual, properly grounded branch circuit, protected by a 15 amp fuse or circuit breaker.

To achieve a custom appearance, the ice machine door accepts 3/4" custom panels to coordinate or contrast with cabinetry. Optional stainless steel door panels are available: order PIP70SS door panel kit with GE Profile™ handle, CIP75SS door panel kit with GE Café handle or ZIP80SS door panel kit with Monogram Euro handle.

#### **NOTE:**

The ice machine is equipped with a gravity drain to prevent water from flowing back into the ice storage bin. A drain pump is necessary when a floor drain is not available. Order UPK3 Drain Pump Kit.



*For answers to your Monogram, GE Café™ Series, GE Profile™ Series or GE Appliances product questions, visit our website at [geappliances.com](http://geappliances.com) or call GE Answer Center® Service, 800.626.2000.*

# UNC15NJII

## *15" Built-In Gourmet Clear Nugget Ice Maker*

### **FEATURES AND BENEFITS**

High nugget ice production – Produces up to 56 pounds of ice per day

Large capacity ice bin – Holds 26 pounds of nugget ice and automatically shuts off when the bin is full

Interior LED lighting – Puts nugget ice in clear view

Free-standing or built-in capable

Clean indicator light – Alerts when it's time to clean the product

Ice scoop – Has a sturdy design that makes it easy to transfer nugget ice to glassware

Indoor or outdoor capable

Optional stainless steel door kits available

Optional drain pump kit available

Model UNC15NJII – Panel ready

