

REMANUFACTURED
RECONDITIONNÉ

REMANUFACTURADO

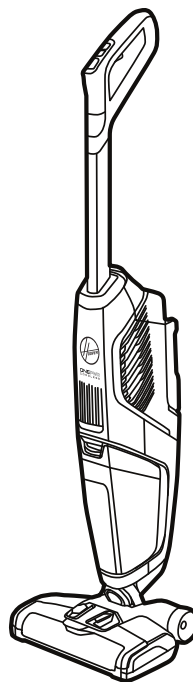
964A00226-R0



USER MANUAL
GUIDE DE L'UTILISATEUR
MANUAL DEL USUARIO

FLOORMATE JET™ HARD FLOOR AND RUG CLEANER NETTOYANT POUR TAPIS ET PLANCHERS DURS FLOORMATE JET™

LIMPIADOR A CHORRO PARA PISOS DUROS Y TAPETES FLOORMATE™



© 2019 TECHTRONIC FLOOR CARE TECHNOLOGY LIMITED. ALL RIGHTS RESERVED.
CHARLOTTE, NC 28262
800-406-2005

BATTERY AND CHARGER MAY NOT BE INCLUDED
LA PILE ET LE CHARGEUR NE SONT PEUT-ÊTRE PAS INCLUS
LA BATERÍA Y EL CARGADOR PUEDEN NO ESTAR INCLUIDOS

TABLE OF CONTENTS

Register your Product	1
Safety Instructions	2-3
Assembly	4
Operation	4-5
Maintenance	5-6
Thermal Protection	6
Troubleshooting	7
Accessories	8
Cleaning Products	8
Service and Warranty	9
Figures	10-11

TABLE DES MATIÈRES

Enregistrez votre produit	12
Consignes de sécurité	13-15
Assemblage	16
Utilisation	16-17
Entretien	17-18
Protecteur thermique	18
Dépannage	19
Accessories	20
Produits nettoyants	20
Entretien et garantie	21
Figures	10-11

ÍNDICE

Registre su producto	22
Instrucciones de seguridad ..	23-25
Ensamblaje	26
Funcionamiento	26-27
Mantenimiento	27-28
Protección térmica	28
Resolución de problemas	29
Accessories	30
Productos de limpieza	30
Garantía de servicio	31
Figuras	10-11



IMPORTANT:

READ CAREFULLY BEFORE
ASSEMBLY AND USE.



IMPORTANTES:

LISEZ ATTENTIVEMENT LE PRÉSENT GUIDE
D'UTILISATION AVANT D'ASSEMBLER
ET D'UTILISER L'APPAREIL.



IMPORTANTES:

LEA CUIDADOSAMENTE ESTA INFOR-
MACIÓN ANTES DE ENSAMBLAR Y USAR
LA ASPIRADORA.

Welcome to the

**ONE
PWR
SYSTEM**

**Clean Further, Faster and Easier
with the Freedom of Cordless**



PROTECT YOUR PURCHASE

To register your product, go to the URL below and follow the steps until complete.
[HOOVER.COM/PRODUCT-REGISTRATION](https://www.hoover.com/product-registration)

IMPORTANT SAFETY INSTRUCTIONS

SAVE THESE INSTRUCTIONS

When using an electrical appliance, basic precautions should always be followed, including the following:

READ ALL INSTRUCTIONS BEFORE USING THIS APPLIANCE.

**THIS PRODUCT IS INTENDED FOR HOUSEHOLD USE ONLY.
IF USED COMMERCIALY WARRANTY IS VOID.**

WARNING: TO REDUCE THE RISK OF FIRE, ELECTRIC SHOCK, DAMAGE OR INJURY:

- Fully assemble before operating.
- Do not store or charge battery outdoors or on wet surfaces. Do not allow to get wet.
- Do not immerse. Use only on carpet or hard floor moistened by the cleaning process.
- Do not allow to be used as a toy. Not intended for use by children age 12 and under. Close supervision is necessary when used by or near children. To avoid injury or damage, keep children away from product, and do not allow children to place fingers or other objects into any openings.
- Use only as described in this manual. Use only Hoover® recommended parts and accessories.
- Do not use charger with damaged cord or plug. If appliance or charger is not working as it should, has been dropped, damaged, left outdoors, or dropped into water, call customer service at 800-406-2005 prior to continuing use.
- Do not pull or carry charger by cord, use cord as a handle, close a door on cord, or pull cord around sharp edges or corners. Do not place product on cord. Do not run appliance over cord. Keep cord away from heated surfaces.
- Do not unplug charger by pulling on cord. To unplug charger, grasp the plug, not the cord.
- Do not handle charger including charger plug and charger terminals, or appliance with wet hands.
- Do not put any object into openings. Do not use with any opening blocked; keep free of dust, lint, hair, and anything that may reduce air flow.
- Keep hair, loose clothing, fingers, and all parts of body away from openings and moving parts.
- Turn off all controls before removing battery pack from your product.
- Do not use to pick up flammable or combustible liquids, such as gasoline, or fine wood sandings, or use in areas where they may be present.
- Do not pick up anything that is burning or smoking, such as cigarettes, matches, or hot ashes.
- Do not use without Filters and/or Tanks in place.

- Do not clean over floor electrical outlets.
- Due to internal component damage, use only Hoover® cleaning products intended for use with this machine. See the Cleaning Products section of this manual.

⚠ WARNING! ⚠

RISK OF FIRE, PROPERTY DAMAGE, AND INJURY. NEVER EXPOSE YOUR BATTERY PACK OR CHARGER TO WATER, MOISTURE, OR FLUIDS, INCLUDING BUT NOT LIMITED TO CORROSIVE OR CONDUCTIVE FLUIDS, OR ALLOW FLUIDS TO FLOW INSIDE THESE ITEMS.

Corrosive or conductive fluids, such as salt water, chlorine, certain industrial chemicals, and bleach or bleach containing products, etc., can cause a short circuit in the battery pack. If your battery pack is exposed to a corrosive or conductive fluid, do not attempt to use or charge the battery pack and immediately perform the following steps:

- Wear appropriate personal protective equipment, including eye protection and rubber gloves.
- Place your exposed battery pack in a large bucket, such as a 5 gallon or similar bucket, and fill the bucket with regular tap water. Do not place more than two packs in the bucket.
- Locate the bucket outdoors in an area inaccessible to children and pets and away from all buildings, garages/sheds, structures, vehicles, and combustible/flamable materials.
- Leave the battery pack(s) in the bucket filled with tap water and call Customer Service at 1-800-406-2005 for additional instructions on the proper disposal of the exposed battery pack(s).
- Prevent unintentional starting. Ensure the product is powered off before connecting to battery pack, picking up or carrying the appliance. Carrying the appliance with your finger on the switch or energizing appliance that have the switch on invites accidents.
- Disconnect the battery pack from the appliance before making any adjustments, removing parts, or storing appliance. Such preventative safety measures reduce the risk of starting the appliance accidentally.
- Recharge only with the charger specified by the manufacturer. A charger that is suitable for one type of battery pack may create a risk of injury and fire when used with another battery pack. Do not use charger outdoors.
- Use appliance only with specially designated battery packs. Use of any other battery packs may create a risk of injury and fire.

IMPORTANT SAFETY INSTRUCTIONS

SAVE THESE INSTRUCTIONS

- When battery pack is not in use, keep it away from other metal objects, like paper clips, coins, keys, nails, screws or other small metal objects, that can make a connection from one terminal to another. Shorting the battery terminals together may cause burns or a fire.
- Under abusive conditions, liquid may be ejected from the battery; avoid contact. If contact accidentally occurs, flush with water. If liquid contacts eyes, additionally seek medical help. Liquid ejected from battery may cause irritation or burns.
- Do not use a battery pack or appliance that is damaged or modified. Damaged or modified batteries may exhibit unpredictable behavior resulting in fire, explosion or risk of injury.
- Do not expose a battery pack or appliance to fire or excessive temperatures. Exposure to fire or temperature above 265°F may cause explosion.
- Follow all charging instructions and do not charge the battery pack or appliance outside of the temperature range specified in the instructions. Charging improperly or at temperatures outside of the specified range may damage the battery and increase the risk of fire.
- Do not charge battery in a damp or wet location. Do not use, store, or charge battery packs or products in locations where the temperature is less than 41°F or more than 100°F. Do not store outside or in vehicles.
- This product contains no serviceable parts.
- Do not modify or attempt to repair the appliance or the battery pack as applicable except as indicated in the instructions for use and care.

CAUTION: TO REDUCE THE RISK OF DAMAGE:

- Avoid picking up hard, sharp objects with this product, as they may cause damage.
- Store appropriately indoors in a dry place. Do not expose machine to freezing temperatures.
- To assist in reducing drying time, be certain the area is well ventilated when using detergents and other cleaners with this machine.
- To help prevent matting and resoiling, avoid contact with carpets until they are dry. Keep children and pets away from carpets until they are completely dry.
- Check and follow flooring manufacturers warranty and recommendations regarding the use of a hard floor cleaning machine prior to using this product on your sealed hard floors.
- Do not store with solution in tanks.
- Water will drip from the brushes and underside of the product after use and may puddle. To avoid damage to wood and laminate flooring and to avoid potential slip hazard, after use (a)

- do not leave the product on wood and laminate surfaces for extended periods of time and (b) store unit on the provided tray.
- Do not incinerate the charger, battery, or appliance even if it is severely damaged. The batteries can explode in a fire.
- Remove battery when the vacuum is not in use and before servicing.
- Use battery only with the charger listed. For use with Hoover ONEPWR Lithium Ion Batteries, See page 8 for battery and charger compatibility.
- The charger is for indoor use only. Be sure to always keep the battery and charger in a dry place.
- Use extra care when cleaning on stairs.

BATTERY DISPOSAL WARNING:

RISK OF EXPLOSION OR EXPOSURE TO TOXIC MATERIAL.

LITHIUM-ION BATTERIES

The battery must be collected, recycled or disposed of in an environmentally sound manner. The EPA certified RBRC Battery Recycling Seal on the lithium-ion (Li-ion) battery indicated Techtronic Industries, a corporate affiliate of Hoover, Inc., is voluntarily participating in an industry program to collect and recycle these batteries at the end of their useful life, when taken out of service in the United States or Canada. The RBRC program provides a convenient alternative to placing used Li-ion batteries into the trash or the municipal waste stream, which may be illegal in your area. Please visit www.rbrc.org/call2recycle/ for information on Li-ion battery recycling and disposal bans/restrictions in your area. Hoover, Inc., involvement in this program is part of our commitment to preserving our environment and conserving our natural resources.



QUESTIONS OR CONCERNS?

Contact us:
Hoover.com/support or Hoover.ca/support
800-406-2005
Connect with us:
Twitter: @HooverUSA
Facebook: facebook.com/hoover
Do not return to store. See label behind solution tank for model number.

ASSEMBLY

⚠️ WARNING! ⚠️

Do not use this product if it is not completely assembled or if any parts appear to be missing or damaged. Use of a product that is not properly and completely assembled or with damaged or missing parts could result in serious personal injury.

⚠️ WARNING! ⚠️

Do not attempt to modify this product or create accessories or attachments not recommended for use with this product. Any such alteration or modification is misuse and could result in a hazardous condition leading to possible serious personal injury.

If any parts are damaged or missing, please call 800-406-2005.

Charging the Battery **See Figure 1, page 10**

Charge the battery fully before first use. This will take up to 3 hours. Due to federal regulations, the battery does not come fully charged.

- Plug the charger into a power outlet.
- Attach the battery pack to the charger by aligning the ribs on the battery pack to the grooves in the charger. Slide the battery pack into the charger.
- When charging, the lights on the battery will illuminate to show the state of charge. The light on the charger will flash.
- If the light on the charger flashes red, there is an error with the battery or the charger. Remove battery from charger and try again. If problem persists, call customer service for support.
- Once charge is complete, lights on the battery and charger will turn off.
- To remove the battery pack from the charger, press the latches and pull up on the battery pack.

- During charging, the pack and ambient temperature should be between 41°F to 86°F (5°C and 30°C).
- The charger will sense if the pack, or ambient temperature, is too cold or too hot, and will return an error code (red LED will be on) and not charge the pack.

Product Assembly

See Figure 2, page 10

- Push the handle down into the body until it clicks into place.
- Once charged, install battery into battery compartment by lifting the battery cover, aligning grooves with ribs on the battery and sliding battery into place until it clicks.
- Remove brush roll cover by squeezing and lifting up on the latches at the top of the cover. Select a brush roll and align notched end with gear on side of foot. Push down gently on red tab until brush roll locks into place. Reinstall brush roll cover.

Use battery only with charger listed. For use with Hoover ONEPWR Lithium Ion Batteries, Full list of compatible batteries can be found on page 8.

OPERATION

⚠️ WARNING! ⚠️

Do not allow familiarity with this product to make you careless. Remember that a careless fraction of a second is sufficient to inflict serious injury.

⚠️ WARNING! ⚠️

Always remove battery pack from the product when you are assembling parts, making adjustments, cleaning, or when not in use. Removing battery pack will prevent accidental starting that could cause serious personal injury.

⚠️ WARNING! ⚠️

Do not use any attachments or accessories not recommended by the manufacturer of this product. The use of attachments or accessories not recommended can result in serious personal injury.

⚠️ CAUTION! ⚠️

Not to be used for grooming a pet.

Filling the Solution Tank

See Figure 3 & 4, page 10

- Remove the solution tank from the back of the unit by gently pulling up on the tank.
- Remove the cap.
- For cleaning larger spaces (up to 600 sq ft), fill tank with warm tap water to the large spaces water fill line. Add Hoover solution until filled to the large spaces solution fill line.
- For cleaning smaller spaces (up to 300 sq ft), fill tank with warm tap water to the small spaces water fill line. Add Hoover solution until filled to the small spaces solution fill line.
- Replace cap and install tank into body with the cap down.

Cleaning Floors

See Figure 5 & 6, page 10

- Recline the handle by placing a foot gently on the foot of the cleaner and pulling handle toward you.
- Press the power button to turn the unit on. Press the MODE button until the desired mode is shown in the dashboard display.

OPERATION (CONTINUED)

- High mode will give the optimal performance for large mess pick up. ECO mode will give optimal battery run time for standard cleaning.
- Engage the trigger on the handle to dispense solution as desired. Brush roll will spin and unit will vacuum on both forward and backward passes.
- To clean dried messes on hard floors, use trigger to spray solution onto dried mess and allow to sit for 1-2 minutes. Pass the brush roll over mess until removed.



Use for picking up small liquid spills (one gallon or less, never to exceed 1/8" in depth).



When cleaning hard floors, ensure flooring surfaces have been sealed. Do not use on unsealed surfaces.



Before cleaning area rugs, check manufacturer's tag for cleaning instructions. Not for use on delicate fabrics. Before use, check rug for colorfastness.

Emptying the Dirty Water Tank

See Figure 7, page 11



To reduce the risk of personal injury, turn power switch off and remove battery pack before cleaning or servicing.

- When full, the float in the dirty water tank will rise and there will be an audible change in the operating sound.
- Empty the dirty water tank promptly. Continuing to clean with a full tank may impact performance.
- To remove the tank, press down on the release latch on the front of the tank and pull the tank away from the unit.
- Grasp the lid by the handles and lift.
- Empty the tank and rinse.
- Replace lid and install tank into body by aligning the bottom of the tank and pushing back into the unit until it clicks.
- Ensure float is installed correctly and can slide freely in dirty water tank before any wet pick-up operation.



When vacuuming liquid, make sure the product does not get submerged or doused in liquid, which could cause shock, product failure, or personal injury.

MAINTENANCE

This product contains no serviceable parts.

If appliance is not working as it should, has been dropped, damaged, left outdoors or dropped in water, contact customer service at 800-406-2005.

Rinse Brush Roll and Flush Nozzle

See Figure 8, page 11



RISK OF PERSONAL INJURY-BRUSHROLL MAY SUDDENLY RESTART-TURN POWER SWITCH OFF AND REMOVE BATTERY BEFORE CLEANING OR SERVICING.

- Empty dirty water tank and replace.
- Place unit on tray.
- Fill the included measuring cup with water at room temperature to max line (5 oz.).
- Pour water into rinse and storage tray.
- Recline handle and turn unit on to HIGH mode.
- Run for 10-15 seconds until water is extracted from tray.
- Repeat as needed until brush roll is rinsed and debris is cleared from nozzle.



Water will drip from the brushes and underside of the product after use and may puddle. To avoid damage to wood and laminate flooring and to avoid potential slip hazard after use (A) do not leave the product on wood and laminate surfaces and (b) place unit on provided storage tray to contain drips.

Care of Brush Roll and Nozzle

See Figure 9, page 11

CAUTION!

To reduce the risk of personal injury from moving parts, turn power switch off and remove battery pack before cleaning or servicing.

- Once the brush roll has been rinsed using the tray, remove the nozzle cover by squeezing the latches and lifting off.
- Lift up on the tab to remove the brush roll. Place in rack on storage tray and allow to dry completely before reinstalling.
- Rinse nozzle cover and allow to dry.
- Wipe any remaining residue from the brush roll chamber and hose with a rag.
- To reassemble, align brush roll end to the side of the foot and lock into place by pressing down on the tab end.
- Replace the nozzle cover by aligning and pushing downwards until it clicks.

Filter Care

See Figure 10, page 11

WARNING!

To reduce the risk of personal injury, turn power switch off and remove battery pack before cleaning or servicing.

- Regularly clean the dry filter in order to maintain performance. The filter is located in the top of the dirty water tank.
- Access the filter by removing the dirty water tank. Press down on the release latch on the front of the tank and pull the tank away from the unit.
- Lift up on the tab to remove the filter.
- Hand wash with warm water and mild detergent.
- Dry the filter completely before reassembling (minimum of 24 hours).

THERMAL PROTECTION

NOTICE!

A thermal protector has been designed into your cleaner to protect it from overheating. When the thermal protector activates the cleaner will stop running.

- If this happens proceed as follows:

1. Turn cleaner off and remove the battery pack.
2. Empty dirty water tank.

3. Inspect the brush roll for any obstructions. Clear obstructions if present.

4. After the battery pack is removed and the motor cools for 30 minutes, reinstall battery pack, the thermal protector will deactivate and cleaning may continue.

- If the thermal protector continues to activate after following the above steps, contact customer service at 800-406-2005.

TROUBLESHOOTING

This product contains no serviceable parts. If appliance is not working as it should, has been dropped, damaged, left outdoors, or dropped into water, contact customer service at 800-406-2005.

⚠️ WARNING! ⚠️
To reduce the risk of personal injury, turn power switch off and remove battery pack before cleaning or servicing.

Issue	Possible Cause	Suggested Solution
Reduced or no spray	1. Solution tank is empty	1. Refill solution tank
	2. Solution tank not fully installed	2. Turn power OFF, reinstall solution tank until snug
	3. Clogged Solution Nozzle	3. Follow instructions as shown in Fig. 9 to remove brush roll cover. Submerge spray nozzle in solution-water mixture and let soak overnight, making sure spray tip is fully submerged (Use mixture of 2 oz of solution per quart of water). Gently scrub spray nozzle with soft brush. Rinse with water, dry and reinstall
Loss of suction	1. Dirty water tank not installed properly	1. Turn power OFF, remove and reinstall dirty water tank
	2. Dirty water tank is full	2. Turn power OFF, empty and reinstall the dirty water tank
	3. Brush roll cover is not installed properly	3. Turn power OFF, remove brush roll cover, reinstall brush roll and cover according to instructions on page 6
	4. Nozzle hose behind brush roll is clogged	4. Turn power OFF, follow instructions for care of brush roll and cover on page 6
	5. Filter is clogged	5. Clean and allow filter to dry completely
	6. Dirty water tank screen is clogged	6. Clean float screen in the dirty water tank. Twist the screen counter-clockwise to remove from tank lid. Rinse thoroughly and replace by aligning grooves and twisting clockwise to secure to tank lid
Brush roll not turning	1. Handle is not reclined	1. Recline handle and turn power ON to allow brush roll to rotate
	2. Brush roll is not installed properly	2. Turn power OFF, follow instructions for care of brush roll and cover on page 6
	3. Brush Roll is obstructed	3. Turn power OFF, follow instructions for care of brush roll and cover on page 6. Ensure brush roll is free of hair and debris
Machine won't turn on	1. Battery not installed properly	1. Remove battery, align guide rails to the front of the battery compartment and slide battery down until it clicks to ensure proper connection
	2. Battery does not have a charge	2. Recharge battery
	3. Handle is not fully installed	3. Remove battery, ensure handle is installed properly per assembly instructions on page 4
	4. An obstruction prevented brush roll from spinning	4. Turn power OFF and remove battery, follow instructions for care of brush roll and cover on page 6. Ensure brush roll is free of hair and debris and reinstall. If problem persists, wait 30 minutes and try again
Leaking	1. Cap on solution tank is not closed tightly	1. Turn power OFF, remove solution tank, tighten cap and reinstall
	2. Solution tank is not installed properly	2. Turn power OFF, remove solution tank and reinstall until snug
Floors are streaked	1. Too much solution was applied	1. Clean area in HIGH mode without engaging the trigger to remove excess solution
	2. Solution other than recommended Hoover Multi-surface solution was used	2. Clean the area using the recommended Hoover Multi-surface line of solutions and follow the instructions for filling the tank on page 4
	3. Solution was not mixed properly	3. Follow the instructions for filling the tank on page 4 and reclean the area
	4. Brush roll was not rinsed and dried fully after prior use	4. Follow the instructions for rinsing the brush roll on page 5 and reclean the floors
Light on the charger is flashing red, and battery won't charge	1. There is an error with the battery	1. Remove battery from charger and try again. If problem persists, call customer service for support

ACCESSORIES

Look for these accessories on Hoover.com or Hoover.ca or call 800-406-2005.

Every ONEPWR battery works with every ONEPWR product.		Parts and Accessories:	
Battery:	Model #	Charger	BH05000
2.0 Ah	BH15020	Dry Use Filter	AH45201
3.0 Ah	BH15030	Solution Tank	440013915
3.0 Ah MAX	BH25030	Recovery Tank	440013917
4.0Ah	BH15240	Recovery Tank Lid Assembly	440013918
4.0Ah MAX	BH25040	Removeable Nozzle Assembly	440013920
6.0Ah	BH15260	FloorMate Jet™ Multi-purpose Brush Roll	AH55201
		FloorMate Jet™ Gentle Brush Roll	AH55202
		FloorMate Jet™ Scrubbing Brush Roll	AH55203

CLEANING PRODUCTS

WARNING: TO REDUCE THE RISK OF FIRE AND ELECTRIC SHOCK DUE TO INTERNAL COMPONENT DAMAGE, USE ONLY HOOVER® CLEANING PRODUCTS INTENDED FOR USE WITH THE APPLIANCE AS NOTED BELOW.

Solution:	Model #	Mixing Ratio:
Multi-Surface	H30427	2oz to a qt
Multi-Floor	AH30425NF	1oz to a qt
Hard Floor	AH30426	1oz to a qt
Multi-Floor Plus	AH30420NF	1oz to a qt
Multi-Floor Plus	AH30420CA	1oz to a qt
Multi-Floor Plus	AH30425	1oz to a qt
Floor Mate Max	AH30388	1oz to a qt
Multi-Floor Plus	AH30420	1oz to a qt
Grout and Tile Plus	AH30435NF	1oz to a qt
Grout and Tile Plus	AH30430NF	1oz to a qt
Multi-Surface Pet	AH30429	2oz to a qt
Multi-Surface Pet	AH30429CA	2oz to a qt
Multi-Surface	AH30428	2oz to a qt
Tile & Grout	AH30433	2oz to a qt
Wood	AH30431	2oz to a qt

SERVICE AND WARRANTY

SERVICE INFORMATION & LIMITED WARRANTY FOR HOOVER® ONEPWR PRODUCTS

If you require warranty assistance or have questions about your Hoover ONEPWR product, contact Hoover Customer Service. For service in the U.S. or Canada, dial 800-406-2005.

Costs of any shipping and/or transportation to and from any place of repair are to be paid by the owner. Identify your product by the model number and manufacturing code when requesting information or ordering replacement parts. (The model number and manufacturing code for the product appears on the top of the lid and on the back of the charger). LIMITED SIX MONTH WARRANTY (DOMESTIC USE) (LIMITED SIX MONTH BATTERY WARRANTY)

WHAT THIS LIMITED WARRANTY COVERS: This limited warranty provided by Royal Appliance Mfg. Co., doing business as TTI Floor Care North America (referred to hereafter as "Hoover") applies only to products purchased in the U.S. (including its territories and possessions), a U.S. Military Exchange, or Canada. When used and maintained in normal household use and in accordance with the Owner's Guide, your Hoover® product and battery are warranted against original defects in material and workmanship for two years from the date of original purchase (the "Warranty Period"). If Hoover determines that the issue you are experiencing is covered under the terms of the product warranty (a "covered warranty claim"), we will, at our sole discretion and free of charge (subject to the cost of shipping), either repair your product or ship you a replacement product, subject to availability. Parts and replacements may be new, refurbished, lightly used, or remanufactured, in Hoover's sole discretion. If parts and replacements are unavailable, we may, at our discretion, provide a similar product of equal or greater value, a store credit (if applicable), or a refund of the actual purchase price at the time of the original purchase, as reflected on the original sales receipt.

WHO THIS LIMITED WARRANTY COVERS: This limited warranty extends only to the original retail purchaser, with original proof of purchase from Hoover or an authorized dealer of Hoover products, in the U.S., U.S. Military Exchanges, and Canada.

HOW TO MAKE A WARRANTY CLAIM: If this product is not as warranted, contact Hoover Customer Service. Please have available the proof of purchase and model number for the warranted product.

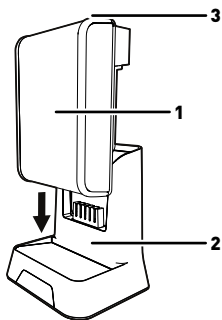
WHAT THIS LIMITED WARRANTY DOES NOT COVER: This warranty does not cover use of the product in a commercial operation (such as maid, janitorial, and equipment rental services, or any other income-generating activity); improper maintenance of the product; the product if it has been subject to misuse, negligence, neglect, vandalism, or the use of voltages other than that on the data plate of this product. This warranty does not cover damage resulting from an act of God, accident, owner's acts or omissions, service of this product by other than Hoover or a Hoover authorized service provider (if applicable), or other acts beyond the control of Hoover. This warranty also does not cover use outside the country in which the product was initially purchased, or resale of the product by the original owner. Pick-up, delivery, transportation, and house calls are not covered by this warranty. In addition, this warranty does not cover any product that has been altered or modified; repairs made necessary by normal wear; or the use of parts or accessories which are either incompatible with the Hoover product or adversely affect its operation, performance, or durability. Normal wear items that are not covered under this warranty include, but are not limited to, belts, filters, brush rolls, blower fans, blower and vacuum tubes, and vacuum bags and straps.

Please call Hoover Customer Service at 800-406-2005, for information on how to ship this product. This warranty does not apply to products purchased outside the United States, a U.S. Military Exchange, or Canada.

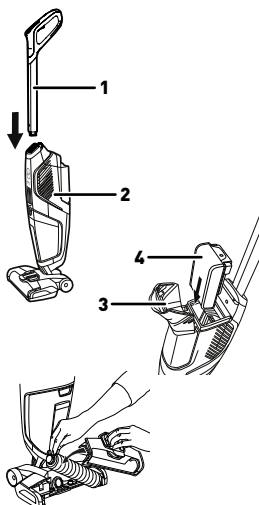
OTHER IMPORTANT TERMS: This warranty is not transferable and may not be assigned; any assignment made in contravention of this prohibition is void. This warranty shall be governed and construed under the laws of the state of North Carolina. The Warranty Period will not be extended by any replacement of batteries or parts or repair performed under this warranty.

THIS WARRANTY IS THE EXCLUSIVE WARRANTY AND REMEDY, AND ALL EXPRESS AND IMPLIED WARRANTIES OTHER THAN THE LIMITED WARRANTY SET FORTH ABOVE, INCLUDING IMPLIED WARRANTIES OF MERCHANTABILITY AND FITNESS FOR A PARTICULAR PURPOSE, ARE EXPRESSLY DISCLAIMED. IN NO EVENT WILL HOOVER BE LIABLE FOR ANY SPECIAL, INDIRECT, INCIDENTAL OR CONSEQUENTIAL DAMAGES OF ANY KIND OR NATURE TO OWNER OR ANY PARTY CLAIMING THROUGH OWNER, WHETHER BASED IN CONTRACT, NEGLIGENCE, TORT, OR STRICT PRODUCTS LIABILITY OR ARISING FROM ANY CAUSE WHATSOEVER, TO THE EXTENT PERMITTED BY APPLICABLE LAW. NO WARRANTIES THAT ARISE BY OPERATION OF LAW, IF APPLICABLE, SHALL EXCEED THE DURATION OF THE LIMITED WARRANTY PROVIDED HEREIN. HOOVER'S LIABILITY FOR DAMAGES TO YOU FOR ANY COSTS WHATSOEVER ARISING OUT OF THIS STATEMENT OF LIMITED WARRANTY SHALL BE LIMITED TO THE AMOUNT PAID FOR THIS PRODUCT AT THE TIME OF ORIGINAL PURCHASE AND HOOVER SHALL NOT BE LIABLE FOR ANY DIRECT, INDIRECT, CONSEQUENTIAL, OR INCIDENTAL DAMAGES ARISING OUT OF THE USE OR INABILITY TO USE THIS PRODUCT.

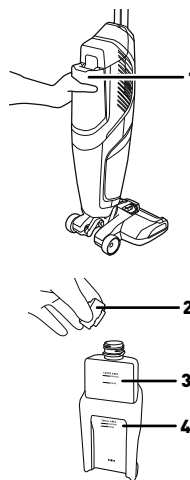
Some states do not allow the exclusion or limitation of incidental or consequential damages, disclaimers of implied warranties, or limitations on the duration of implied warranties, so the above exclusions, disclaimers, and/or limitations may not apply to you. This warranty gives you specific legal rights, and you may also have other rights, which vary from state to state.

FIG. 1

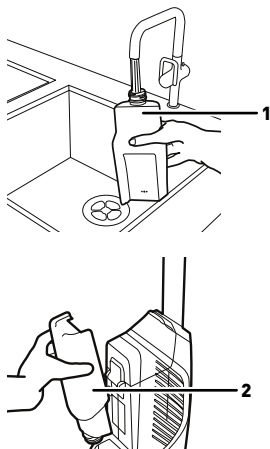
1. ONEPWR Battery, Pile ONEPWR, Bateria ONEPWR
2. Charger, Chargeur, Cargador
3. Charging Indicator Lights, Indicateurs lumineux de charge, Luces indicadoras de carga

FIG. 2

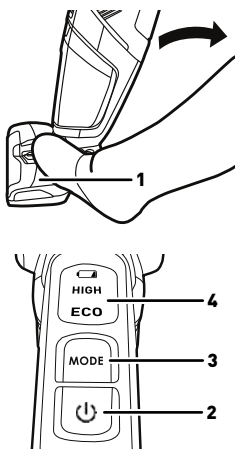
1. Handle, Poignée, Mango
2. Body, Corps, Cuerpo
3. Battery Cover, Couvercle de pile, Cubierta de la batería
4. ONEPWR Battery, Pile ONEPWR, Bateria ONEPWR

FIG. 3

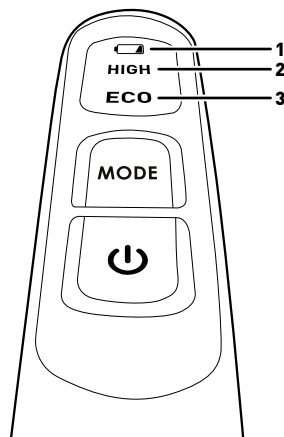
1. Solution Tank, Réservoir à solution, Tanque de solución
2. Cap, Capuchon, Tapa
3. Large Area Fill Lines, Lignes de remplissage pour les grands espaces, Líneas de llenado para áreas grandes
4. Small Area Fill Lines, Lignes de remplissage pour les petits espaces, Líneas de llenado para áreas pequeñas

FIG. 4

1. Filling solution tank, Remplissage du réservoir à solution, Llenado del tanque de solución
2. Placing the tank in the body, Positionnement du réservoir dans le corps, Colocación del tanque en el cuerpo

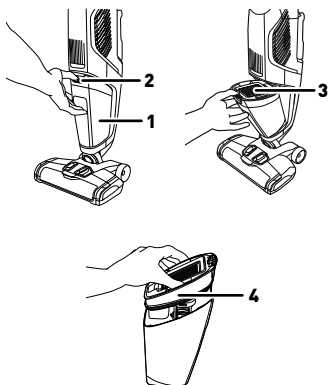
FIG. 5

1. Recline, Inclinez, Reclinar
2. Power Button, Interrupteur marche/arrêt, Botón de encendido
3. MODE Button, Bouton MODE, Botón MODE (Modo)
4. Display, Affichage, Pantalla

FIG. 6

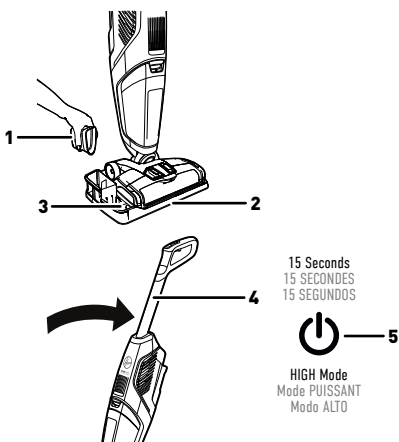
1. Battery Indicator, Témoin de chargement de la pile, Indicador de la batería
2. HIGH Mode - Use for max suction, Mode PUISSANT - Utilisez pour une aspiration max, Modo ALTO - Usar para máxima succión
3. ECO Mode - Use for max run time, Mode ECO - Utilisez pour une durée de fonctionnement max, Modo ECO - Usar para máximo tiempo de funcionamiento

FIG. 7



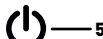
1. **Dirty Water Tank**, Réservoir d'eau sale amovible, Tanque de agua sucia
2. **Release latch**, Loquet de déblocage, Pestillo de liberación
3. **Dry Filter**, Filtre sec, Filtro seco
4. **Dirty Water Tank lid**, Couvercle du réservoir d'eau sale, Tapa del tanque de agua sucia

FIG.8



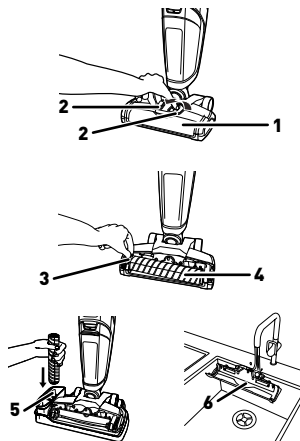
1. **Measuring Cup**, Tasse à mesurer, Taza de medición
2. **Rinse and Storage Tray**, Plateau de rinçage et de rangement, Bandeja para enjuagar y almacenar
3. **Pour Here**, Verser ici, Vierta aquí
4. **Recline Unit**, Inclinez l'appareil, Recline la unidad
5. **Run Power HIGH Mode 15 Seconds**, Faites-le fonctionner en mode « PUISSANT » pendant 15 secondes, Hágala funcionar en modo ALTO durante 15 segundos

15 Seconds
15 SECONDES
15 SEGUNDOS



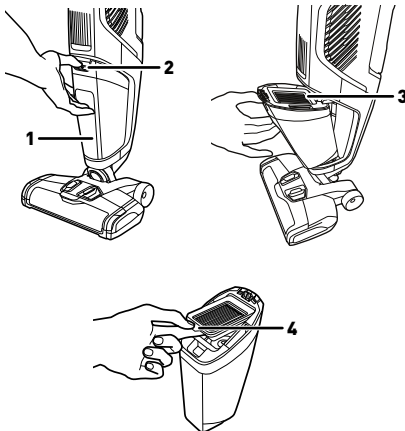
HIGH Mode
Mode PUISSANT
Modo ALTO

FIG.9



1. **Brush Roll Cover**, Couvercle du rouleau-brosse, Cubierta del cepillo giratorio
2. **Brush Roll Cover Release latches**, Loquets de déblocage du couvercle du rouleau-brosse, Pestillos de liberación de la cubierta del cepillo giratorio
3. **Brush Roll Removal Tab**, Languette de dégagement du rouleau-brosse, Pestaña para quitar el cepillo giratorio
4. **Brush Roll**, Rouleau-brosse, Cepillo giratorio
5. **Brush Roll drying rack**, Support de séchage du rouleau-brosse, Soporte de secado del cepillo giratorio
6. **Rinse Brush Roll Cover**, Rincez le couvercle de rouleau-brosse, Enjuague la cubierta del cepillo giratorio

FIG.10



1. **Dirty Water Tank**, Réservoir d'eau sale amovible, Tanque de agua sucia
2. **Release latch**, Loquet de déblocage, Pestillo de liberación
3. **Dry Filter**, Filtre sec, Filtro seco
4. **Filter Tab**, Languette du filtre, Pestaña del filtro

Bienvenue chez

ONE PWR SYSTEM

Nettoyez plus en profondeur, plus rapidement et plus facilement grâce à la liberté d'un appareil sans fil



PROTÉGER VOTRE ACHAT

Pour enregistrer le produit, accéder à l'adresse URL ci-dessous et suivre les étapes jusqu'à la fin.

[HOOVER.CA/PRODUCT-REGISTRATION](https://www.hoover.ca/product-registration)

CONSIGNES DE SÉCURITÉ IMPORTANTES

CONSERVEZ CES INSTRUCTIONS

Lorsque vous utilisez des appareils électriques, veuillez toujours respecter entre autres les consignes de sécurité élémentaires suivantes :

VEUILLEZ LIRE TOUTES LES INSTRUCTIONS AVANT D'UTILISER CET APPAREIL.

**CE PRODUIT EST DESTINÉ À UN USAGE DOMESTIQUE SEULEMENT.
LA GARANTIE EST NULLE SI L'APPAREIL EST UTILISÉ À DES FINS COMMERCIALES.**

WARNING: POUR RÉDUIRE LES RISQUES D'INCENDIE, D'ÉLECTROCUTION, DE DOMMAGES ET DE BLESSURES :

- Assemblez entièrement l'appareil avant de l'utiliser.
- Éviter de ranger ou de charger la pile à l'extérieur ou sur des surfaces mouillées. N'exposez pas l'appareil à l'eau ou à l'humidité.
- Utilisez l'appareil à l'intérieur seulement.
- Ne pas permettre que l'appareil soit utilisé comme un jouet. Cet appareil ne doit pas être utilisé par des enfants de moins de 12 ans. Exercez une surveillance étroite lorsque l'appareil est utilisé par un enfant ou près de lui. Gardez l'appareil hors de la portée des enfants et ne laissez pas ces derniers introduire leurs doigts ou d'autres objets dans aucune ouverture afin d'éviter les blessures ou les bris.
- Utilisez l'appareil uniquement aux fins décrites dans le présent guide. Utilisez uniquement les pièces et les accessoires HooverMD recommandés.
- Ne pas utiliser le chargeur si le cordon d'alimentation ou la fiche est endommagé. Si l'appareil ou le chargeur ne fonctionne pas comme il le devrait, est tombé, est endommagé, a été laissé à l'extérieur ou a pris l'eau, communiquez avec le service à la clientèle au 1 800 406-2005 avant de continuer à l'utiliser.
- Ne pas tirer le chargeur par le cordon, ne pas se servir du cordon comme poignée, ne pas fermer de porte sur le cordon et ne pas contourner des coins ou des rebords tranchants avec le cordon. Ne placez pas l'appareil sur le cordon. Ne faites pas rouler l'appareil sur le cordon. Tenez le cordon éloigné des surfaces chaudes.
- Ne pas tirer sur le cordon pour débrancher l'appareil. Pour débrancher le chargeur, tirez sur la fiche.
- Ne pas manipuler le chargeur, y compris la fiche et les bornes, ou l'appareil avec les mains mouillées.
- N'insérez aucun objet dans les ouvertures. N'utilisez pas l'appareil si les ouvertures sont obstruées. Assurez-vous qu'elles sont exemptes de poussière, de mousse, de cheveux ou de tout ce qui pourrait réduire le débit d'air.
- Gardez les cheveux, les vêtements amples, les doigts et toute autre partie du corps à l'écart des ouvertures et des pièces en mouvement.

- Éteindre toutes les commandes avant de retirer le bloc-piles du produit.
- Ne pas aspirer des liquides inflammables ou combustibles comme de l'essence ou de la sciure de bois ni utiliser l'appareil à proximité de ces matériaux.
- Ne pas utiliser l'appareil pour ramasser des matières qui dégagent de la fumée ou qui brûlent, comme des cigarettes, des allumettes ou des cendres encore chaudes.
- Ne pas utiliser l'appareil si les filtres et les réservoirs ne sont pas en place.
- Ne déplacez pas l'appareil sur des prises de courant au sol.
- Utilisez uniquement les produits de nettoyage HooversMD pour réduire les risques d'incendie ou de décharge électrique causés par des composants internes endommagés. (voir la section « Produits nettoyants » du manuel.)
- En raison d'un risque de dommage des composants internes, utilisez uniquement solutions de nettoyage conçues pour cet appareil Hoover[®]. Consulter la section « Produits nettoyants » du présent manuel.

⚠ AVERTISSEMENT! ⚠

RISQUE D'INCENDIE, DE DOMMAGES MATÉRIELS ET DE BLESSURES. NE JAMAIS EXPOSER VOTRE BLOC-PILES OU VOTRE CHARGEUR À DE L'EAU, DE L'HUMIDITÉ OU DES LIQUIDES, Y COMPRIS, SANS S'Y LIMITER, DES LIQUIDES CORROSIFS OU CONDUCTEURS, NI LAISSER LES LIQUIDES S'INFILTRER DANS CES ARTICLES.

Les liquides corrosifs ou conducteurs, comme l'eau salée, le chlore, certains produits chimiques industriels, les agents de blanchiment, les produits contenant des agents de blanchiment, etc., peuvent causer un court-circuit dans le bloc-piles. Si le bloc-piles est exposé à un liquide corrosif ou conducteur, ne pas tenter de l'utiliser ou de le charger. Effectuer immédiatement les étapes ci-dessous :

- Porter le matériel de protection individuelle approprié, dont des lunettes de protection et des gants en caoutchouc.
- Placer le bloc-piles exposé dans un grand seau, comme un seau de 5 gallons ou d'une capacité similaire, et le remplir d'eau du robinet. Éviter de placer plus de deux blocs dans le seau.
- Placer le seau à l'extérieur dans un endroit hors de la portée des enfants et des animaux, loin des bâtiments, des garages, des remises, des structures, des véhicules et des matériaux combustibles ou inflammables.
- Laisser le ou les blocs-piles dans le seau rempli d'eau du robinet et communiquer avec le service à la clientèle au 1 888 768-2014 pour obtenir des directives supplémentaires sur l'élimination adéquate du ou des blocs-piles exposé(s).
- Prévenez les mises en marche non intentionnelles. Assurez-vous que le produit est hors tension avant de connecter le bloc-piles, de prendre l'appareil ou de le transporter. Transporter l'appar-

CONSIGNES DE SÉCURITÉ IMPORTANTES

CONSERVEZ CES INSTRUCTIONS

eil en conservant les doigts près de l'interrupteur et brancher l'appareil sur une source électrique lorsque l'interrupteur est en position de marche sont deux situations qui présentent des risques d'accident.

- Retirez le bloc-piles de l'appareil avant de faire un ajustement, de retirer des pièces ou d'entreposer l'appareil. Une telle mesure de précaution permet de réduire le risque que l'appareil entre accidentellement en fonction.
- Rechargez la batterie uniquement avec le chargeur indiqué par le fabricant. Le chargeur adéquat pour un type de bloc-piles présente un risque de blessure et d'incendie s'il est utilisé avec un bloc-piles différent. Ne pas utiliser le chargeur à l'extérieur.
- Utilisez l'appareil uniquement avec un bloc-piles spécialement désigné à cet effet. L'utilisation de tout autre bloc-piles présente un risque de blessure et d'incendie.
- Lorsque le bloc-piles n'est pas utilisé, gardez-le à l'écart d'autres objets métalliques qui peuvent établir une connexion entre les deux bornes comme des trombones, des pièces de monnaie, des clés, des clous, des vis ou d'autres petits objets métalliques. Un tel contact court-circuitant entre deux bornes de la batterie présente des risques de brûlures ou d'incendie.
- Dans des conditions extrêmes, un liquide pourrait être expulsé de la batterie. En cas de contact accidentel, rincez les régions touchées avec de l'eau. En cas de contact avec les yeux, rincez-les avec de l'eau et demandez une assistance médicale. Le liquide expulsé de la pile peut être une source d'irritation ou de brûlures.
- N'utilisez ni un bloc-piles ni un appareil endommagé ou modifié. Le fonctionnement des batteries endommagées ou modifiées peut être imprévisible et présenter des risques d'incendie, d'explosion ou de blessures.
- N'exposez pas le bloc-piles ou l'appareil au feu ou à une température excessive. L'exposition au feu ou à une température supérieure à 130 °C (265 °F) représente un risque d'explosion.
- Suivez toutes les instructions portant sur la recharge. Ne rechargez pas le bloc-piles ni l'appareil à des températures autres que celles indiquées dans ces instructions. Toute recharge inappropriée ou à des températures hors de la plage indiquée présente des risques d'endommager la pile en plus d'augmenter les risques d'incendie.
- Ne pas charger la pile dans un endroit humide ou mouillé. Vous ne devez ni utiliser, ni entreposer ou ni charger le bloc-piles ou l'appareil dans des endroits où la température est inférieure à 10 °C (50 °F) ou supérieure à 38 °C (100 °F). Ne pas entreposer à l'extérieur ou dans un véhicule.
- Ce produit ne contient pas de pièces réparables.
- Ne modifiez ni l'appareil ni le bloc-piles, et ne tentez pas de les réparer, sauf dans la mesure indiquée dans les présentes instructions quant à leur utilisation et aux soins requis.

MISE EN GARDE: POUR RÉDUIRE LES RISQUES DE DOMMAGE :

- Éviter de ramasser des objets durs ou aux arêtes tranchantes avec l'appareil, car ils peuvent l'endommager.
- Rangez l'appareil adéquatement à l'intérieur et dans un endroit sec. N'exposez pas l'appareil à des conditions de gel.
- Pour réduire le temps de séchage, assurez-vous que l'endroit est bien aéré lorsque vous utilisez des détergents et d'autres produits nettoyants avec cet appareil.
- Afin d'éviter le matage et le retour des salissures, évitez tout contact avec les tapis tant que ceux-ci ne sont pas complètement secs. Tenez les enfants et les animaux à distance des tapis tant que ceux-ci ne sont pas complètement secs.
- Consultez et suivez la garantie et les recommandations des fabricants à propos de l'utilisation d'un appareil de nettoyage sur un plancher en dur avant d'utiliser cet appareil sur votre parquet dur verni.
- N'entreposez pas cet appareil en laissant du produit dans les réservoirs.
- Après l'utilisation, de l'eau s'égoutte près des brosses et sous l'appareil et peut créer une flaque. Pour éviter d'endommager les planchers en bois et les planchers stratifiés et empêcher qu'ils deviennent glissants, après l'utilisation, a) ne laissez pas l'appareil sur les surfaces en bois ou stratifiées pour une période de temps prolongée, b) placez l'appareil sur le plateau fourni
- N'incinerez pas le chargeur, la pile ou l'appareil mêmes s'ils sont gravement endommagés. La pile peut exploser au feu.
- Retirez la pile lorsque l'aspirateur n'est pas utilisé et avant de procéder à l'entretien.
- Utilisez la pile avec le chargeur indiqué uniquement. Utilisez avec des piles au lithium-ion ONEPWR Hoover; consultez la page 8 pour connaître la compatibilité entre les piles et les chargeurs
- Le chargeur est conçu pour être utilisé à l'intérieur seulement. Assurez-vous de toujours conserver la batterie et le chargeur dans un endroit sec.
- Redoublez de prudence lorsque vous utilisez l'appareil dans un escalier.

CONSIGNES DE SÉCURITÉ IMPORTANTES CONSERVEZ CES INSTRUCTIONS

AVERTISSEMENT CONCERNANT L'ÉLIMINATION DE LA PILE : RISQUE D'EXPLOSION OU D'EXPOSITION AUX MATIÈRES TOXIQUES.

BATTERIE AU LITHIUM-ION

La pile doit être recueillie, recyclée ou éliminée dans le respect de l'environnement. Le sceau de recyclage des batteries au lithium-ion de la RBRC certifié par l'EPA indique que Techtronic Industries, société affiliée à Hoover, Inc., participe volontairement à un programme de collecte et de recyclage des batteries usagées au Canada et aux États-Unis. Le programme de recyclage de la RBRC offre une solution de rechange pratique qui permet d'éviter que les piles soient jetées à la poubelle ou dans les ordures ménagères municipales, ce qui pourrait être illégal dans votre région. Visitez le www.rbrc.org/call2recycle/ pour obtenir de plus amples renseignements sur le recyclage des piles au lithium-ion ainsi que sur les interdictions et les restrictions relatives à l'élimination de ces piles dans votre région. La participation de Hoover, Inc. à ce programme témoigne de son engagement à protéger l'environnement et les ressources naturelles.



DES QUESTIONS OU DES PRÉOCCUPATIONS?

Communiquez avec nous :

Hoover.com/support ou Hoover.ca/support

800-406-2005

Suivez-nous :

Twitter: @HooverUSA

Facebook: [facebook.com/hoover](https://www.facebook.com/hoover)

Ne retournez pas le produit en magasin. Consultez l'étiquette derrière le réservoir à solution pour connaître le numéro du modèle.

⚠ AVERTISSEMENT! ⚠

Ne pas utiliser ce produit s'il n'est pas entièrement assemblé, s'il semble manquer des pièces ou si des pièces semblent endommagées. L'utilisation d'un produit qui n'est pas correctement et entièrement assemblé, auquel il manque des pièces ou dont des pièces sont endommagées pourrait causer des blessures graves.

⚠ AVERTISSEMENT! ⚠

Ne pas tenter de modifier ce produit ou de créer des accessoires dont l'utilisation avec ce produit n'est pas recommandée. Une telle modification est considérée comme une utilisation inappropriée et est susceptible d'entraîner une situation dangereuse pouvant causer des blessures graves.

Si des pièces sont endommagées ou manquantes, veuillez composer le 800-406-2005 pour obtenir de l'aide. doivent être comprises entre 5 °C à 30 °C (30 °F à 86 °F).

Recharge de la pile

Voir la figure 1, à la page 10

Effectuez une charge complète de la pile avant la première utilisation. La durée de charge est d'environ 3 heures. En raison des règlements fédéraux, la pile n'est pas complètement chargée au moment de l'achat.

- Brancher le chargeur dans une prise électrique.
- Fixer le bloc-piles au chargeur en alignant les rainures en saillie sur le bloc-piles avec les rainures du chargeur. Faire glisser le bloc-piles dans le chargeur.
- Pendant la charge, les voyants de la pile s'allument pour indiquer l'état de la charge. Le voyant du chargeur clignote.
- Si le voyant du chargeur clignote en rouge, une erreur s'est produite avec la pile ou le chargeur. Retirez la pile du chargeur et essayez de nouveau. Si le problème persiste, appelez le Service à la clientèle pour obtenir de l'aide.
- Une fois la charge terminée, les voyants de la pile et du chargeur s'éteindront.
- Pour retirer le bloc-piles du chargeur, appuyer sur les loquets et tirer sur le bloc-piles vers le haut.
- Pendant la charge, la température du bloc et la température ambiante

- Le chargeur détectera si le bloc ou la température ambiante est trop froid ou trop chaud affichera un code d'erreur (le voyant DEL rouge sera allumé) et ne chargera pas le bloc.

Assemblage du produit

Voir la figure 2, à la page 10

- Poussez la poignée vers le bas de manière à l'enfoncer dans le corps, jusqu'à ce qu'elle s'enclenche en place.
- Une fois rechargée, installez la pile dans le compartiment à piles en levant le couvercle de la pile, en alignant les rainures en saillie sur les rainures de la pile et en faisant glisser la pile jusqu'à ce qu'elle s'enclenche en place.
- Retirez le couvercle du rouleau-brosse en appuyant sur les loquets et en tirant vers le haut sur le dessus du couvercle. Choisissez un rouleau-brosse et alignez l'extrémité munie d'une encoche avec le mécanisme sur le côté du bas de l'appareil. Appuyez doucement sur la languette rouge jusqu'à ce que le rouleau-brosse se verrouille en place. Réinstallez le couvercle du rouleau-brosse.

Utiliser la pile avec le chargeur indiqué uniquement. Utilisez les piles au lithium-ion ONEPWR. La liste complète des piles compatibles se trouve à la page 8.

UTILISATION

⚠ AVERTISSEMENT! ⚠

Ne jamais faire preuve de négligence, même si l'on connaît bien le produit. Ne pas oublier qu'une fraction de seconde d'inattention peut entraîner des blessures graves.

⚠ MISE EN GARDE! ⚠

N'utilisez pas l'aspirateur pour toiletter un animal.

⚠ AVERTISSEMENT! ⚠

Toujours retirer le bloc-piles du produit au moment d'assembler les pièces, d'effectuer des réglages ou de procéder au nettoyage ou lorsque le produit n'est pas utilisé. Le retrait du bloc-piles permet de prévenir les démarrages accidentels qui pourraient causer des blessures graves.

⚠ AVERTISSEMENT! ⚠

Ne pas utiliser des accessoires ou des pièces qui ne sont pas recommandés par le fabricant de ce produit. L'utilisation d'accessoires qui ne sont pas recommandés peut causer des blessures graves.

Remplissage du réservoir à solution

Voir les figures 3 et 4, à la page 10

- Retirez le réservoir à solution à l'arrière de l'appareil en tirant doucement le réservoir vers le haut.
- Retirez le capuchon.
- Pour le nettoyage de plus grands espaces (jusqu'à 600 pieds carrés), remplissez le réservoir avec de l'eau tiède du robinet jusqu'à la ligne de remplissage d'eau pour les grands espaces. Ajoutez la solution Hoover jusqu'à ce que le produit atteigne la ligne de remplissage de solution pour les grands espaces.
- Pour le nettoyage de plus petits espaces (300 pieds carrés), remplissez le réservoir avec de l'eau tiède du robinet jusqu'à la ligne de remplissage d'eau pour les petits espaces. Ajoutez la solution Hoover jusqu'à ce que le produit atteigne la ligne de remplissage de solution pour les petits espaces.
- Remettez le capuchon et installez le réservoir dans le corps avec le capuchon bien serré.

Nettoyage des planchers

Voir les figures 5 et 6, à la page 10

- Inclinez la poignée en plaçant doucement un pied sur le bas de la shampooineuse et tirez la poignée vers vous.
- Appuyez sur le bouton sur l'appareil pour le mettre en marche. Appuyez sur le bouton MODE jusqu'à ce que le mode désiré soit affiché sur le tableau de bord.
- Le mode PUISSANT fournira un rendement optimal pour le nettoyage des gros dégâts. Le mode ECO fournira un temps de fonctionnement de la pile optimal pour le nettoyage habituel.
- Appuyez sur la gâchette de la poignée pour distribuer la quantité de solution désirée. Le rouleau-brosse tournera et l'appareil nettoiera lors de passage vers l'avant et vers l'arrière.
- Pour nettoyer les dégâts secs sur des planchers durs, appuyez sur la gâchette pour pulvériser de la solution sur les dégâts secs et laissez agir pendant 1 à 2 minutes. Passez le rouleau-brosse de l'appareil sur les dégâts jusqu'à ce qu'ils soient éliminés.

⚠ MISE EN GARDE! ⚠

Utilisez pour le nettoyage de petits déversements de liquide (un gallon ou moins, n'exécédez jamais 1/8 po de profondeur).

⚠ MISE EN GARDE! ⚠

Lors du nettoyage de planchers durs, assurez-vous que les surfaces ont été vernies. N'utilisez pas l'appareil sur des surfaces non vernies.

⚠ MISE EN GARDE! ⚠

Avant de procéder au nettoyage des tapis, vérifiez l'étiquette du fabricant pour obtenir les instructions de nettoyage. Ne l'utilisez pas sur des tissus délicats. Avant l'utilisation, vérifiez la solidité de la couleur des tapis.

Vidage du réservoir d'eau sale

Voir la figure 7, à la page 11

⚠ AVERTISSEMENT! ⚠

Afin de réduire le risque de blessures corporelles, éteignez l'appareil et retirez le bloc-piles avant le nettoyage ou l'entretien.

- Lorsque le réservoir est plein, la bille flottante dans l'eau sale monte et il y a un changement audible dans le bruit de l'appareil.
- Videz le réservoir d'eau sale rapidement. Continuer de nettoyer avec un réservoir plein peut nuire au rendement.
- Pour retirer le réservoir, appuyez sur le loquet de déblocage à l'avant du réservoir et retirez le réservoir de l'appareil.
- Saisissez le couvercle à l'aide des poignées et soulevez.
- Videz et rincez le réservoir.
- Remplacez le couvercle et installez le réservoir dans le corps en alignant le bas du réservoir et en le poussant dans l'unité jusqu'à ce qu'il s'enclenche.
- Assurez-vous que le flotteur est installé correctement et peut glisser librement dans le réservoir d'eau sale avant de procéder au nettoyage.

⚠ AVERTISSEMENT! ⚠

Lors de l'aspiration de liquides, assurez-vous que le produit n'est pas immergé ou plongé dans le liquide, ce qui pourrait provoquer une décharge, une défaillance de l'appareil ou des blessures.

ENTRETIEN

Ce produit ne contient pas de pièces réparables.

Si l'appareil ne fonctionne pas comme il se doit et s'il a été échappé, endommagé, laissé à l'extérieur ou échappé dans l'eau, veuillez communiquer avec le service à la clientèle au 1 800 406-2005.

Rincez le rouleau-brosse et la buse

Voir la figure 8, à la page 11

⚠ AVERTISSEMENT! ⚠

RISQUES DE BLESSURES – LE ROULEAU-BROSSE PEUT REDÉMARRER BRUSQUEMENT – ÉTEIGNEZ L'APPAREIL EN METTANT L'INTERRUPTEUR À LA POSITION « OFF » ET RETIREZ LA PILE AVANT LE NETTOYAGE OU L'ENTRETIEN.

- Videz le réservoir d'eau sale et remettez-le en place.
- Placez l'appareil sur le plateau.
- Remplissez la tasse à mesurer incluse avec de l'eau à la température ambiante jusqu'à la ligne de remplissage maximum (5 oz).
- Versez de l'eau dans le plateau de rinçage et de rangement.
- Inclinez la poignée et mettez l'appareil en marche en mode PUISSANT.
- Faites fonctionner l'appareil pendant 10 à 15 secondes jusqu'à ce que l'eau soit extraite du plateau.
- Répétez au besoin jusqu'à ce que le rouleau-brosse soit rincé et que tous les débris soient dégagés de la buse.

⚠ MISE EN GARDE! ⚠

Après l'utilisation, de l'eau s'égoutte près des brosses et sous l'appareil et peut créer une flaque. Pour éviter d'endommager les planchers en bois et les planchers stratifiés, et empêcher qu'ils deviennent glissants après l'utilisation, a) ne laissez pas l'appareil sur les surfaces en bois ou stratifiées et b) placez l'appareil sur le plateau de rangement fourni pour retenir les écoulements.

Entretien du rouleau-brosse et de la buse
Voir la figure 9, à la page 11

⚠ MISE EN GARDE! ⚠

A fin de reducir el riesgo de lesiones personales por las piezas móviles, apague el interruptor de alimentación y retire el paquete de baterías antes de realizar la limpieza o el mantenimiento.

- Une fois que le rouleau-brosse a été rincé avec le plateau, enlevez le couvercle de la buse en appuyant sur les loquets et en le soulevant.
- Soulevez la languette pour retirer le rouleau-brosse. Placez-le dans le plateau de rangement et laissez sécher complètement avant de le réinstaller.
- Rincez le couvercle de la buse et laissez sécher.
- Essuyez les résidus de la chambre et du tuyau du rouleau-brosse avec un chiffon.

- Pour remonter, alignez l'extrémité du rouleau-brosse avec le côté du bas de l'appareil et verrouillez-le en place en appuyant sur l'extrémité de la languette.
- Remplacez le couvercle de la buse en l'alignant et en le poussant vers le bas jusqu'à ce qu'il s'enclenche.

Entretien du filtre

Voir la figure 10, à la page 11

⚠ AVERTISSEMENT! ⚠

Afin de réduire le risque de blessures corporelles, éteignez l'appareil et retirez le bloc-piles avant le nettoyage ou l'entretien.

- Nettoyez régulièrement le filtre sec afin de maintenir le rendement. Le filtre est situé dans le haut du réservoir d'eau sale.
- Accédez au filtre en retirant le réservoir d'eau sale. Appuyez sur le loquet de déblocage à l'avant du réservoir et retirez le réservoir de l'appareil.
- Soulevez la languette pour retirer le filtre.
- Lavez à la main avec de l'eau tiède et un détergent doux.
- Laissez complètement sécher le filtre avant de le remonter (au moins 24 heures).

PROTECTEUR THERMIQUE

⚠ REMARQUER! ⚠

Votre appareil est équipé d'un rupteur thermique interne afin de le protéger contre la surchauffe. L'appareil cessera de fonctionner si ce rupteur thermique s'active.

- Voici ce qu'il faut faire lorsque ceci survient :
 1. Éteignez l'appareil et retirez le bloc-piles.
 2. Videz le réservoir d'eau sale.

3. Vérifiez si le rouleau-brosse est obstrué. Dégagez toutes les obstructions visibles.
4. Lorsque le bloc-piles est retiré et que le moteur a refroidi pendant 30 minutes, réinstallez le bloc-piles. Le rupteur thermique se désactivera, et vous pourrez poursuivre le nettoyage.
- Si le rupteur thermique continue de s'activer après avoir effectué les étapes ci-dessus, appelez le service à la clientèle au 1 800 406-2005.

Ce produit ne contient pas de pièces réparables.
Si l'appareil ne fonctionne pas comme il se doit et s'il a été échappé, endommagé, laissé à l'extérieur ou échappé dans l'eau, veuillez communiquer avec le service à la clientèle au 1 800 406-2005.

⚠ AVERTISSEMENT! ⚠
Afin de réduire le risque de blessures corporelles, éteignez l'appareil et retirez le bloc-piles avant le nettoyage ou l'entretien.

Problème	Cause possible	Solution suggérée
Pulvérisation réduite ou absente	1. Le réservoir à solution est vide	1. Remplissez le réservoir à solution
	2. Le réservoir à solution n'est pas entièrement installé	2. Mettez l'appareil hors tension, réinstallez le réservoir à solution jusqu'à ce qu'il soit bien ajusté
	3. Solution bouchée dans la buse	3. Suivez les directives comme illustrées à la fig. 9 pour retirer le couvercle du rouleau-brosse. Submergez la buse de pulvérisation dans un mélange d'eau et de solution, puis laissez-la tremper toute la nuit, en vous assurant que l'embout de pulvérisation est complètement submergé (utilisez un mélange de 2 oz de solution par quart d'eau). Frottez doucement la buse de pulvérisation avec une brosse à soies souples. Rincez à l'eau, puis laissez-la sécher avant de la réinstaller
Perte d'aspiration	1. Le réservoir d'eau sale n'est pas installé correctement	1. Mettez l'appareil hors tension, videz le réservoir d'eau sale et réinstallez-le
	2. Le réservoir d'eau sale est plein	2. Mettez l'appareil hors tension, videz puis réinstallez le réservoir d'eau sale
	3. Le couvercle du rouleau-brosse n'est pas correctement installé	3. Mettez l'appareil hors tension, retirez le couvercle du rouleau-brosse, réinstallez le rouleau-brosse et le couvercle conformément aux instructions à la page 5
	4. Le tuyau de la buse derrière le rouleau-brosse est bouché	4. Mettez l'appareil hors tension, suivez les instructions pour l'entretien du rouleau-brosse et du couvercle à la page 5
	5. Le filtre est bouché	5. Nettoyez le filtre et laissez sécher complètement
	6. Dirty water tank screen is clogged	6. Nettoyez la bille flottante dans le réservoir d'eau sale. Faites pivoter la grille dans le sens contraire des aiguilles d'une montre pour la retirer du couvercle du réservoir. Rincez-la bien et remettez-la en place en alignant les rainures et en la tournant dans le sens des aiguilles d'une montre pour la fixer au couvercle du réservoir
Le rouleau-brosse ne tourne pas	1. La pile n'est pas installée correctement	1. Retirez la pile, alignez les rails de guidage à l'avant du compartiment de la pile et faites-la glisser vers le bas jusqu'à ce qu'elle s'enclenche pour assurer un contact approprié
	2. La poignée n'est pas inclinée	2. Inclinez la poignée et mettez l'appareil sous tension pour permettre au rouleau-brosse de tourner
	3. Le rouleau-brosse n'est pas installé correctement	3. Mettez l'appareil hors tension, suivez les instructions pour l'entretien du rouleau-brosse et du couvercle à la page 5
	4. Le rouleau-brosse est obstrué	4. Mettez l'appareil hors tension, suivez les instructions pour l'entretien du rouleau-brosse et du couvercle à la page 5. Assurez-vous que le rouleau-brosse est exempt de poils et de débris
L'appareil ne s'allume pas	1. La pile n'est pas chargée	1. Rechargez la pile
	2. La poignée n'est pas entièrement installée	2. Retirez la pile, assurez-vous que la poignée est installée correctement selon les instructions d'assemblage à la page 4
	3. Une obstruction empêche le rouleau-brosse de tourner	3. Mettez l'appareil hors tension et retirez la pile, suivez les instructions pour l'entretien du rouleau-brosse et du couvercle à la page 5. Assurez-vous que le rouleau-brosse est exempt de poils et de débris et réinstallez-le. Si le problème persiste, attendez 30 minutes et essayez de nouveau
Fuites	1. Le capuchon sur le réservoir à solution n'est pas fermé hermétiquement	1. Mettez l'appareil hors tension, retirez le réservoir à solution, serrez le capuchon et réinstallez-le
	2. Le réservoir à solution n'est pas installé correctement.	2. Mettez l'appareil hors tension, retirez le réservoir à solution et réinstallez-le jusqu'à ce qu'il soit bien mis en place
Les planchers sont striés	1. Une trop grande quantité de solution a été appliquée	1. Nettoyez l'espace en mode PUISSANT sans appuyer sur la gâchette pour éliminer l'excédent de solution
	2. Un autre solution que la solution nettoyante multisurface Hoover recommandée a été utilisée	2. Nettoyez l'espace en utilisant la gamme de solutions nettoyantes multisurface Hoover recommandée et suivez les instructions pour le remplissage du réservoir à la page 4
	3. La solution n'était pas mélangée adéquatement	3. Suivez les instructions pour le remplissage du réservoir à la page 4 et nettoyez l'espace de nouveau
	4. Le rouleau-brosse n'a pas été rincé et séché complètement après l'utilisation antérieure	4. Suivez les instructions pour le rinçage de la brosse-rouleau à la page 5 et nettoyez les planchers de nouveau
Le témoin sur le chargeur clignote en rouge et la pile ne recharge pas	1. Il y a un problème avec la pile	1. Retirez la pile du chargeur et essayez de nouveau. Si le problème persiste, appelez le Service à la clientèle pour obtenir de l'aide

ACCESSOIRES

On peut trouver ces accessoires en consultant les sites Hoover.com ou Hoover.ca ou en composant le 800-406-2005.

Chaque pile ONEPWR fonctionne avec chaque produit ONEPWR.		Pièces et accessoires :	
Pile:	N° de modèle	Chargeur	BH05000
2.0 Ah	BH15020	Filtre sec utilisation	AH45201
3.0 Ah	BH15030	Réservoir de solution	440013915
3.0 Ah MAX	BH25030	Réservoir de récupération	440013917
4.0Ah	BH15240	Ensemble du couvercle du réservoir de récupération	440013918
4.0Ah MAX	BH25040	Ensemble de la buse amovible	440013920
6.0Ah	BH15260	Rouleau-brosse à usages multiples FloorMate Jet ^{MC}	AH55201
		Rouleau-brosse doux FloorMate Jet ^{MC}	AH55202
		Rouleau-brosse à récurage FloorMate Jet ^{MC}	AH55203

PRODUITS NETTOYANTS

AVERTISSEMENT: POUR RÉDUIRE LES RISQUES D'INCENDIE ET DE DÉCHARGE ÉLECTRIQUE CAUSÉS PAR DES COMPOSANTS INTERNES ENDOMMAGÉS, UTILISEZ UNIQUEMENT LES PRODUITS NETTOYANTS HOOVER^{MD} CONÇUES POUR CET APPAREIL, COMME IL EST INDiqué CI-DESSOUS.

Solution:	N° de modèle	Rapport de mélange :
Multi-Surface	H30427	2 oz à une pinte
Multi-Floor	AH30425NF	1 oz à une pinte
Hard Floor	AH30426	1 oz à une pinte
Multi-Floor Plus	AH30420NF	1 oz à une pinte
Multi-Floor Plus	AH30420CA	1 oz à une pinte
Multi-Floor Plus	AH30425	1 oz à une pinte
Floor Mate Max	AH30388	1 oz à une pinte
Multi-Floor Plus	AH30420	1 oz à une pinte
Grout and Tile Plus	AH30435NF	1 oz à une pinte
Grout and Tile Plus	AH30430NF	1 oz à une pinte
Multi-Surface Pet	AH30429	2 oz à une pinte
Multi-Surface Pet	AH30429CA	2 oz à une pinte
Multi-Surface	AH30428	2 oz à une pinte
Tile & Grout	AH30433	2 oz à une pinte
Wood	AH30431	2 oz à une pinte

ENTRETIEN ET GARANTIE

RENSEIGNEMENTS CONCERNANT L'ENTRETIEN ET GARANTIE LIMITÉE POUR LES PRODUITS ONEPWR HOOVER[®]

Pour toute aide concernant la garantie ou toute question sur le produit ONEPWR Hoover, communiquer avec le service à la clientèle de Hoover. Pour un entretien aux États-Unis ou au Canada, composer le 800-406-2005.

Les frais de transport ou d'expédition à destination et en provenance du centre de réparation sont payés par le propriétaire. Toujours indiquer le numéro de modèle et le code de fabrication de votre produit pour demander des renseignements ou commander des pièces de rechange. (Le numéro de modèle et le code de fabrication de l'appareil se trouvent derrière le vide-poussière et à l'arrière du chargeur.)

GARANTIE LIMITÉE DE SIX MOIS (USAGE DOMESTIQUE) (GARANTIE LIMITÉE DE SIX MOIS SUR LA PILE)

ÉLÉMENTS COUVERTS PAR LA PRÉSENTE GARANTIE : Cette garantie limitée fournie par Royal Appliance Mfg. Co., exerçant ses activités sous TTI Floor Care North America (appelée « Hoover » ci-après) s'applique uniquement aux produits achetés aux États-Unis (y compris ses territoires et possessions), au Canada et par l'intermédiaire du programme d'échanges militaires américain. Votre produit HOOVER[®] et sa pile sont garantis pour des conditions normales d'utilisation et d'entretien domestiques, comme le stipule le Guide d'utilisation, contre les défauts de matériaux et de fabrication pour une période complète de deux ans à compter de la date d'achat (ci-après la « période de garantie »). Si Hoover détermine que le problème que vous rencontrez est couvert en vertu des modalités de la garantie du produit (une « réclamation couverte par la garantie »), nous réparerons alors votre produit ou vous expédierons un produit de rechange, selon la disponibilité des produits, à notre entière discrétion et sans frais (sous réserve du coût d'expédition). Les pièces de rechange peuvent être nouvelles, remises à neuf, légèrement utilisées ou réusinées, à l'entière discrétion de Hoover. Si une pièce ou une pièce de rechange n'est pas disponible, nous pourrions, à notre entière discrétion, fournir un produit de valeur égale ou supérieure, un crédit en magasin (le cas échéant) ou un remboursement équivalant au prix d'achat réel en date de l'achat initial, comme indiqué sur le reçu de vente original.

PERSONNES COUVERTES PAR LA PRÉSENTE GARANTIE : La présente garantie limitée s'applique uniquement à l'acheteur original, avec une preuve d'achat provenant de Hoover ou d'un détaillant autorisé des produits Hoover aux États-Unis, au Canada et par l'intermédiaire du programme d'échanges militaires américain.

RÉCLAMATION AU TITRE DE LA GARANTIE : Si ce produit ne fonctionne pas comme il a été annoncé, communiquer avec le service à la clientèle de Hoover. S'assurer d'avoir en main la preuve d'achat et le numéro de modèle du produit couvert par la garantie.

ÉLÉMENTS NON COUVERTS PAR LA PRÉSENTE GARANTIE : La présente garantie ne couvre pas toute utilisation commerciale du produit (p. ex., utilisation dans le cadre de services ménagers, de conciergerie ou de location de matériel ou de toute autre activité générant un revenu), l'entretien inadéquat du produit, l'utilisation inadéquate du produit, la négligence, les actes de vandalisme ou l'utilisation d'une tension électrique autre que celle indiquée sur la plaque signalétique de ce produit. La présente garantie ne couvre pas les dommages résultant d'un cas de force majeure, d'un accident, d'actes ou d'omission de la part du propriétaire, de l'entretien de ce produit autre que par Hoover ou un fournisseur de service autorisé par Hoover (le cas échéant) ou en raison d'autres actes qui sont hors du contrôle de Hoover. La présente garantie ne couvre pas non plus l'utilisation à l'extérieur du pays d'achat initial du produit ni sa revente par le propriétaire original. La présente garantie ne couvre pas le ramassage, la livraison, le transport et la réparation à domicile. De plus, elle ne couvre pas les produits qui ont été modifiés, les réparations nécessaires en raison de l'usure normale ou l'utilisation de pièces ou d'accessoires qui sont incompatibles avec le produit de Hoover ou qui nuisent à son fonctionnement, à son rendement ou à sa durabilité. Les articles ayant une usure normale qui ne sont pas couverts par cette garantie comprennent, sans s'y limiter, les courroies, les filtres, les rouleaux-brosses, les ventilateurs soufflants, le souffleur et les tuyaux d'aspirateur, les sacs d'aspirateurs et les attaches.

Communiquer avec le service à la clientèle de Hoover au 800-406-2005 pour obtenir des renseignements sur la façon d'expédier ce produit. La présente garantie ne s'applique pas aux produits achetés hors des États-Unis (ce qui comprend ses territoires et possessions), hors du programme d'échanges militaires américain et hors du Canada.

AUTRES CONDITIONS IMPORTANTES : La présente garantie n'est pas transférable et ne peut être cédée; toute cession effectuée en violation de cette interdiction est annulée. La présente garantie sera régie et interprétée selon les lois de l'État de la Caroline du Nord. La Période de garantie ne peut pas être prolongée par une réparation ou un remplacement des piles ou des pièces exécutés en vertu de la présente garantie, quels qu'ils soient.

LA PRÉSENTE GARANTIE EST L'UNIQUE GARANTIE ET RECOURS ET TOUTE GARANTIE EXPLICITE OU IMPLICITE AUTRE QUE LA GARANTIE LIMITÉE PRÉSENTÉE CI-DESSUS, Y COMPRIS LES GARANTIES IMPLICITES DE QUALITÉ MARCHANDE ET DE CONVENANCE À UNE FIN PARTICULIÈRE, EST EXPRESSEMENT DÉCLINÉE. HOOVER NE POURRA EN AUCUN CAS ÊTRE TENUE RESPONSABLE DE TOUS DOMMAGES INTÉRÊTS SPÉCIAUX OU DOMMAGES INDIRECTS, ACCESSOIRES OU CONSÉCUTIFS DE QUELQUE NATURE QUE CE SOIT SUBIS PAR LE PROPRIÉTAIRE DU PRODUIT OU PAR TOUTE PARTIE RÉCLAMANT PAR L'INTERMÉDIAIRE DU PROPRIÉTAIRE, QU'ILS RELÈVENT DE LA RESPONSABILITÉ CONTRACTUELLE, DE LA NÉGLIGENCE, DE LA RESPONSABILITÉ CIVILE DÉLICTELLE OU DE LA RESPONSABILITÉ STRICTE DU FAIT DES PRODUITS, OU QU'ILS DÉCOULENT DE QUELQUE CAUSE QUE CE SOIT. DANS LES LIMITES PERMISES PAR LA LOI APPLICABLE, AUCUNE GARANTIE RÉSULTANT D'UNE THÉORIE JURIDIQUE, LE CAS ÉCHÉANT, NE PEUT DÉPASSER LA DURÉE DE LA GARANTIE LIMITÉE AUX PRÉSENTES. LA RESPONSABILITÉ DE HOOVER À VOTRE ENDROIT POUR TOUS LES COÛTS, QUELS QU'ILS SOIENT, DÉCOULANT DE CETTE DÉCLARATION DE GARANTIE LIMITÉE SE LIMITE AU MONTANT PAYÉ POUR CE PRODUIT AU MOMENT DE L'ACHAT INITIAL. HOOVER NE PEUT ÊTRE TENUE RESPONSABLE DE TOUT DOMMAGE DIRECT, INDIRECT, CONSÉCUTIF OU ACCIDENTEL RÉSULTANT DE L'UTILISATION DE CE PRODUIT OU DE L'IMPOSSIBILITÉ DE L'UTILISER.

Certains États n'autorisent pas l'exclusion ni la restriction des dommages indirects ou accessoires, l'exclusion de garanties implicites ou les limites de durée d'une garantie implicite; par conséquent, les restrictions ou exclusions précédentes peuvent ne pas s'appliquer.

La présente garantie vous donne des droits précis. Vous pouvez également avoir d'autres droits, lesquels varient d'une province à l'autre.

Bienvenido al

ONE PWR SYSTEM

Limpie aún más, más rápido y fácil con libertad inalámbrica



PROTEJA SU COMPRA

Para registrar su producto, vaya a la URL siguiente y siga los pasos hasta finalizar.
[HOOVER.COM/PRODUCT-REGISTRATION](https://www.hoover.com/product-registration)

INSTRUCCIONES DE SEGURIDAD IMPORTANTES

CONSERVE ESTAS INSTRUCCIONES

When using an electrical appliance, basic precautions should always be followed, including the following:

READ ALL INSTRUCTIONS BEFORE USING THIS APPLIANCE.

THIS PRODUCT IS INTENDED FOR HOUSEHOLD USE ONLY.

IF USED COMMERCIALY WARRANTY IS VOID.

WARNING: TO REDUCE THE RISK OF FIRE, ELECTRIC SHOCK, DAMAGE OR INJURY:

- Arme la unidad por completo antes de ponerla en funcionamiento.
- No cargue la batería en exteriores o en superficies mojadas ni almacene la unidad en dichos lugares. Evite que la unidad se moje.
- Utilice en interiores solamente.
- Evite que la unidad se utilice como un juguete. Los niños de 12 años o menos no deben utilizar la unidad. Cuando la utilicen niños o se utilice cerca de ellos, será necesario hacerlo bajo una estricta supervisión. Para evitar lesiones o daños, mantenga a los niños alejados del producto y no permita que introduzcan los dedos ni objetos en ninguna de las aberturas del producto.
- Utilice la unidad únicamente según el uso descrito en este manual. Utilice solamente las piezas y los accesorios recomendados por Hoover®.
- No utilice el cargador si el cable o el enchufe se encuentran dañados. Si el aparato o el cargador no funcionan como deben; si se han caído, han sido dañados, dejados a la intemperie o sumergidos en agua, llame al servicio de atención al cliente al 800-406-2005 antes de continuar el uso.
- No extraiga ni transporte el cargador tomándolo por el cable; no tire del cable, no cierre una puerta con él ni lo enrosque alrededor de bordes o esquinas filosas. No apoye el producto sobre el cable. No pase el aparato por encima del cable. Mantenga el cable lejos de las superficies calientes.
- No desenchufe el cargador tirando del cable. Para desenchufarlo, agarre el enchufe, no el cable.
- No manipule el cargador (incluido el enchufe y los terminales) ni el aparato con las manos mojadas.
- No coloque ningún objeto en las aberturas. No utilice la unidad si alguna de sus aberturas se encuentra bloqueada. Manténgala libre de polvo, pelusas, cabello y cualquier otro elemento que pueda disminuir el flujo de aire.
- Evite que el cabello, la ropa suelta, los dedos y cualquier otra parte del cuerpo entren en contacto con las aberturas y las piezas móviles de la unidad.

- Apague todos los controles antes de extraer el paquete de baterías del producto.
- No utilice la unidad para aspirar líquidos combustibles o inflamables, tales como gasolina o restos de madera lijada, ni la utilice en áreas en las que dichas sustancias puedan estar presentes.
- No aspire nada que se encuentre en combustión o emita humo, como cigarrillos, fósforos o cenizas calientes.
- No utilice la unidad si esta no tiene colocados los filtros y/o los tanques.
- No limpie por encima de los tomacorrientes de piso.
- Debido a daños de los componentes internos, utilice únicamente productos de limpieza Hoover® con fines de uso para esta máquina. Consulte la sección Productos de limpieza de este manual.

⚠ ADVERTENCIA ⚠

RIESGO DE INCENDIO, DAÑOS A LA PROPIEDAD Y LESIONES. NUNCA EXPONGA EL PAQUETE DE BATERÍAS, EL CARGADOR O LA UNIDAD AL AGUA, LA HUMEDAD O LOS LÍQUIDOS, INCLUIDOS, ENTRE OTROS, LOS LÍQUIDOS CORROSIVOS O CONDUCTORES, NI PERMITA QUE LOS LÍQUIDOS FLUYAN DENTRO DE ESTOS ELEMENTOS.

Los líquidos corrosivos o conductores, como el agua salada, el cloro, ciertos productos químicos industriales, y la lavandina o los productos a base de lavandina, etc., pueden provocar un cortocircuito en el paquete de baterías. Si el paquete de baterías se expone a un líquido corrosivo o conductor, no intente usar ni cargar el paquete de baterías, y realice los pasos siguientes de inmediato:

- Utilice el equipo personal protector adecuado, incluida protección ocular y guantes de goma.
 - Coloque el paquete de baterías expuesto en un cubo grande, como un cubo de 5 galones (18 litros) o similar, y llene el cubo con agua corriente común. No coloque más de dos paquetes en el cubo.
 - Coloque el cubo en exteriores, en una zona inaccesible para los niños y las mascotas, y lejos de edificios, garajes/cobertizos, estructuras, vehículos y materiales combustibles/inflamables.
 - Deje el paquete de baterías en el cubo lleno con agua corriente y llame al Servicio de atención al cliente al 1-888-768-2014 para obtener instrucciones adicionales para desechar correctamente los paquetes de baterías expuestos.
- Evite el encendido accidental. Asegúrese de que el producto esté apagado antes de conectar el paquete de baterías, de levantar o de transportar el artefacto. Transportar el artefacto con su dedo en el interruptor o conectar el artefacto con el interruptor encendido puede provocar accidentes.
 - Desconecte el paquete de baterías del aparato antes de realizar ajustes, quitar repuestos o almacenar el aparato.

INSTRUCCIONES DE SEGURIDAD IMPORTANTES

CONSERVE ESTAS INSTRUCCIONES

Dichas medidas de seguridad preventivas reducen el riesgo de arrancar el aparato en forma accidental.

- Recargue la unidad solo con el cargador especificado por el fabricante. Un cargador adaptado para un tipo de paquete de baterías puede crear un riesgo de lesiones e incendio cuando se lo utiliza con otro paquete de baterías. No utilice el cargador en exteriores.
- Use el aparato solo con los paquetes de baterías diseñados especialmente. El uso de un paquete de baterías distinto puede crear un riesgo de lesiones e incendios.
- Cuando el paquete de baterías no se encuentra en uso, manténgalo alejado de otros objetos de metal, como sujetadores de papeles, monedas, llaves, clavos, tornillos u otros objetos metálicos pequeños que puedan realizar una conexión desde una terminal a la otra. Si se produce un cortocircuito entre las terminales se pueden generar quemaduras o incendios.
- Bajo condiciones severas, puede eyectarse líquido desde la batería. Evite el contacto. Si sucede un contacto accidental, lávese con agua. Si el líquido entra en contacto con los ojos, busque asistencia médica adicional. El líquido eyectado desde la batería puede provocar irritación o quemaduras.
- No use un paquete de baterías o un aparato que esté dañado o se haya modificado. Las baterías dañadas o modificadas pueden exhibir un comportamiento impredecible que puede provocar incendios, explosiones o riesgo de lesiones.
- No exponga el paquete de baterías o el aparato al fuego o a temperaturas excesivas. La exposición al fuego o a temperaturas sobre los 265 °F puede causar una explosión.
- Siga todas las instrucciones de carga y no cargue el paquete de baterías ni el aparato fuera del rango de temperaturas especificado en las instrucciones. La carga incorrecta o a temperaturas que estén fuera del rango especificado puede dañar la batería y aumentar el riesgo de incendios.
- No cargue la batería en un sumidero o en un lugar húmedo. No use, almacene ni cargue los paquetes o productos de baterías en lugares donde la temperatura sea inferior a 50 °F (10 °C) o superior a 100 °F (37 °C). No lo almacene en exteriores ni en vehículos.
- Este producto no contiene piezas que el usuario pueda reparar.
- No modifique ni intente reparar el aparato o el paquete de baterías (según corresponda), excepto como se indica en las instrucciones de uso y mantenimiento.
- Para ayudar a reducir el tiempo de secado, asegúrese de que el área esté bien ventilada cuando utilice detergentes y otros limpiadores con esta máquina.
- Para ayudar a prevenir el apelmazamiento y las manchas, evite el contacto con las alfombras hasta que estén secas. Mantenga a los niños y a las mascotas alejadas de las alfombras hasta que estén completamente secas.
- Verifique y siga la garantía y las recomendaciones de los fabricantes de pisos con respecto al uso de máquinas de limpieza para pisos duros antes de utilizar este producto en pisos duros sellados.
- No la guarde con solución en los tanques.
- Después del uso, goteará agua desde los cepillos y por la parte inferior del producto que puede acumularse. Para evitar daños en pisos de madera y laminados y posibles riesgos de caídas, después de cada uso (a) no deje el producto sobre superficies de madera y laminado durante periodos prolongados de tiempo y (b) almacene la unidad en la bandeja provista.
- No incinere el cargador, la batería ni el aparato, aun si estuvieran muy dañados. Las baterías pueden explotar y provocar un incendio.
- Extraiga la batería cuando la aspiradora no esté en uso y antes de realizar el mantenimiento.
- Use la batería solo con el cargador adecuado. Para usar la unidad con baterías de iones de litio ONEPWR de Hoover, consulte la página 8 para ver la compatibilidad de baterías y cargadores.
- El cargador es para uso en interiores solamente. Siempre asegúrese de guardar la batería y el cargador en un lugar seco.
- Extreme las precauciones cuando limpie en escaleras.

PRECAUCIÓN: PARA DISMINUIR EL RIESGO DE DAÑOS:

- Evite aspirar objetos duros y filosos con este producto, ya que pueden dañarlo.
- Almacénelo apropiadamente en interiores, en un lugar seco. No exponga la máquina a temperaturas bajo cero.

INSTRUCCIONES DE SEGURIDAD IMPORTANTES CONSERVE ESTAS INSTRUCCIONES

ADVERTENCIA SOBRE LA ELIMINACIÓN DE LA BATERÍA: RIESGO DE EXPLOSIÓN O EXPOSICIÓN A MATERIAL TÓXICO.

BATERÍAS DE IONES DE LITIO

La batería se debe recolectar, reciclar o desechar de una forma que no sea perjudicial para el medio ambiente. El Sello de Reciclado de Baterías RBRC certificado por la Agencia de Protección Ambiental (EPA, por sus siglas en inglés) que se encuentra en la batería de iones de litio (Li-ion) indica que Techtronic Industries, una filial de la empresa de Hoover, Inc., participa voluntariamente en un programa industrial para recolectar y reciclar estas baterías al final de su vida útil, cuando se sacan de servicio, en Estados Unidos o Canadá. El programa RBRC proporciona una buena alternativa a desechar las baterías de iones de litio utilizadas en la basura o en caudales de residuos municipales, lo que puede ser ilegal en su área. Visite la página www.rbrc.org/call2recycle/ para obtener información sobre las prohibiciones/restricciones en su área, en relación con el reciclado y desecho de las baterías de iones de litio. La participación de Hoover, Inc. en este programa es parte de nuestro compromiso con la preservación de nuestro medio ambiente y la conservación de nuestros recursos naturales.



¿TIENE PREGUNTAS O INQUIETUDES?

Póngase en contacto con nosotros:
Hoover.com/support or Hoover.ca/support
800-406-2005

Comuníquese con nosotros:
Twitter: @HooverUSA

Facebook: [facebook.com/hoover](https://www.facebook.com/hoover)

No devuelva la unidad a la tienda. Busque el número de modelo en la etiqueta que está detrás del tanque de solución.

⚠ ADVERTENCIA ⚠

No utilice este producto si no está completamente ensamblado o si tiene piezas dañadas o faltantes. El uso de un producto que no está ensamblado en forma correcta y completa o que tiene piezas dañadas o faltantes puede provocar lesiones personales graves.

Si hay piezas dañadas o faltantes, llame al 800-406-2005 para obtener ayuda.

Carga de la batería

Consulte la Figura 1 en la página 10

Charge the battery fully before first use. This will take up to 3 hours. Due to federal regulations, the battery does not come fully charged.

- Cargue la batería por completo antes de utilizar la unidad por primera vez. La carga puede demorar hasta 3 horas. Debido a reglamentaciones federales la batería no viene completamente cargada.
- Enchufe el cargador en el tomacorriente.
- Conecte el paquete de baterías al cargador alineando los rebordes del paquete de baterías con las ranuras del cargador. Deslice el paquete de baterías en el cargador.
- Cuando realice la carga, las luces de la batería se iluminarán para mostrar el estado de la carga. La luz del cargador parpadeará.
- Si la luz del cargador parpadea en color rojo, existe un error con la batería o el cargador. Retire la batería del cargador y vuelva a intentarlo. Si el problema continúa, llame al servicio de atención al cliente para obtener asistencia.
- Una vez que finalice la carga, las luces de la batería y del cargador se apagarán.
- Para extraer el paquete de baterías del cargador, presione los pestillos y tire del paquete de baterías hacia arriba.

⚠ ADVERTENCIA ⚠

No intente modificar este producto ni crear accesorios o conexiones no recomendados para usar con este producto. Cualquier alteración o modificación se considera uso indebido y puede provocar una condición peligrosa que provoque lesiones personales graves.

Ensamblaje del producto

Consulte la Figura 2 en la página 10

- Durante la carga, la temperatura del paquete y la temperatura ambiente deben estar entre 5 °C y 30 °C (41 °F y 86 °F).
- El cargador controlará que el paquete, o la temperatura ambiente, estén muy frías o muy calientes, y enviará un código de error (el LED rojo estará encendido) y no cargará el paquete.
- Empuje el mango hacia abajo dentro del cuerpo hasta que encastre en su lugar.
- Una vez cargada, instale la batería en el compartimiento de la batería elevando la cubierta de la batería, alineando las ranuras con los rebordes de la batería y deslizando la batería en su lugar hasta que encastre.
- Quite la cubierta del cepillo giratorio apretando y levantando las lengüetas en la parte superior de la cubierta. Seleccione un cepillo giratorio y alinee el extremo con muescas del engranaje de la parte lateral del pie. Presione suavemente sobre la lengüeta roja hasta que el cepillo giratorio se bloquee en su lugar. Vuelva a instalar la cubierta del cepillo giratorio.

Use la batería solo con el cargador adecuado. Para usar con baterías de iones de litio ONEPWR de Hoover, Puede encontrar una lista completa de baterías compatibles en la página 8.

FUNCIONAMIENTO

⚠ ADVERTENCIA ⚠

No permita que el hecho de familiarizarse con el producto provoque un uso descuidado. Recuerde que una fracción de segundo de descuido es suficiente para provocar lesiones graves.

⚠ ADVERTENCIA ⚠

Siempre retire el paquete de baterías del producto cuando esté armando piezas, realizando ajustes, limpiando, o cuando no esté en uso. La extracción del paquete de baterías evitará el arranque accidental, que puede provocar lesiones personales graves.

⚠ ADVERTENCIA ⚠

No utilice conexiones o accesorios no recomendados por el fabricante de este producto. El uso de conexiones o accesorios no recomendados puede provocar lesiones personales graves.

⚠ PRECAUCIÓN ⚠

La aspiradora no debe utilizarse para limpiar mascotas.

Llenado del tanque de solución

Consulte las Figuras 3 y 4 en la página 10

- Retire el tanque de solución de la parte trasera de la unidad tirando con suavidad del tanque hacia arriba.
- Retire la tapa.
- Para limpiar espacios más grandes (hasta 55 metros cuadrados (600 pies cuadrados)), llene el tanque con agua corriente caliente hasta la línea de llenado de agua para espacios grandes. Agregue solución de Hoover hasta llegar a la línea de llenado de solución para espacios grandes.
- Para limpiar espacios más pequeños (hasta 27 metros cuadrados (300 pies cuadrados)), llene el tanque con agua corriente caliente hasta la línea de llenado de agua para espacios pequeños. Agregue solución de Hoover hasta llegar a la línea de llenado de solución para espacios pequeños.

FUNCIONAMIENTO

- Vuelva a colocar la tapa e instale el tanque en el cuerpo con la tapa hacia abajo.

Limpeza de pisos

Consulte las Figuras 5 y 6 en la página 10

- Recline el mango colocando suavemente un pie sobre el pedal de la aspiradora y tirando del mango hacia usted.
- Presione el botón de encendido para encender la unidad. Presione el botón MODE (Modo) hasta que aparezca el modo deseado en la pantalla del tablero.
- El modo alto ofrecerá el mejor desempeño para la recolección de mucha suciedad. El modo ECO ofrecerá un tiempo de funcionamiento óptimo de la batería para limpieza estándar.
- Presione el gatillo que está en el mango para surtir la solución según lo desee. El cepillo giratorio girará y la unidad aspirará tanto hacia adelante como hacia atrás.
- Para limpiar suciedades secas en pisos duros, use el gatillo para rociar la solución en la suciedad seca y deje asentar de 1 a 2 minutos. Pase el cepillo giratorio sobre la suciedad hasta removerla.

PRECAUCIÓN

Use la unidad para recoger pequeños derrames de líquidos (tres litros [un galón] o menos, nunca exceda 3,2 mm [1/8"] en profundidad).

PRECAUCIÓN

Cuando limpie pisos duros, asegúrese de que las superficies estén selladas. No utilice la unidad en superficies no selladas.

PRECAUCIÓN

Antes de limpiar tapetes, revise la etiqueta del fabricante para ver las instrucciones de limpieza. No use la unidad en telas delicadas. Antes del uso, revise la resistencia al color del tapete.

Vaciado del tanque de agua sucia

Consulte la Figura 7 en la página 11

ADVERTENCIA

A fin de reducir el riesgo de lesiones personales, apague el interruptor de alimentación y retire el paquete de baterías antes de realizar la limpieza o el mantenimiento.

- Cuando esté lleno, el flotante del tanque de agua sucia se elevará y se producirá un cambio auditivo en el sonido del funcionamiento.
- Vacíe el tanque de agua sucia de inmediato. Si continúa limpiando con el tanque lleno, puede afectar el rendimiento.
- Para extraer el tanque, presione hacia abajo el pestillo de liberación de la parte delantera del tanque y tire del tanque hacia afuera de la unidad.
- Tome la tapa por los mangos y levántela.
- Vacíe el tanque y enjuáguelo.
- Vuelva a colocar la tapa e instale el tanque en el cuerpo alineando la parte inferior del tanque y presionando hacia la unidad hasta que encastre.
- Asegúrese de que el flotante esté instalado correctamente y que pueda deslizarse libremente en el tanque de agua sucia antes de realizar cualquier operación de recolección en húmedo.

ADVERTENCIA

Cuando aspire líquido, asegúrese de que el producto no se sumerja en agua ni empape con ella, ya que esto puede provocar descargas, fallas en el producto o lesiones personales.

MANTENIMIENTO

Este producto no contiene piezas que el usuario pueda reparar. Si el aparato no funciona como debe; si se ha caído, ha sido dañado, dejado a la intemperie o sumergido en agua, comuníquese con el servicio de atención al cliente llamando al 800-406-2005.

Enjuague el cepillo giratorio y lave la boquilla

Consulte la Figura 8 en la página 11

ADVERTENCIA

RIESGO DE LESIONES PERSONALES - EL CEPILLO GIRATORIO PUEDE REINICIARSE REPENTINAMENTE - APAGUE EL INTERRUPTOR DE ALIMENTACIÓN Y quite LA BATERÍA ANTES DE REALIZAR LIMPIEZA O MANTENIMIENTO.

- Vacíe el tanque de agua sucia y vuelva a colocarlo.
- Coloque la unidad en la bandeja.
- Llene con agua a temperatura ambiente a la taza de medición que se incluye hasta la línea máxima (5 onzas).
- Vierta agua en la bandeja para enjuagar y almacenar.
- Recline el mango y encienda la unidad en el modo ALTO.
- Haga funcionar la unidad de 10 a 15 segundos hasta extraer el agua de la bandeja.
- De ser necesario, repita la operación hasta enjuagar el cepillo giratorio y quitar los desechos de la boquilla.

PRECAUCIÓN

Después del uso, goteará agua desde los cepillos y por la parte inferior del producto que puede acumularse. Para evitar daños en pisos de madera y laminados y posibles riesgos de caídas, después de cada uso (A) no deje el producto sobre superficies de madera y laminado y (B) coloque la unidad sobre la bandeja de almacenamiento provista para contener el goteo.

Cuidado del cepillo giratorio y la boquilla

Consulte la Figura 9 en la página 11

PRECAUCIÓN

A fin de reducir el riesgo de lesiones personales por las piezas móviles, apague el interruptor de alimentación y retire el paquete de baterías antes de realizar la limpieza o el mantenimiento.

- Una vez que el cepillo giratorio se haya enjuagado en la bandeja, quite la protección de la boquilla apretando las lengüetas y levantándolo.

- Eleve la pestaña para extraer el cepillo giratorio. Colóquela en el soporte de la bandeja de almacenamiento para que se seque completamente antes de volver a instalarla.
- Enjuague la cubierta de la boquilla y deje que se seque.
- Limpie todos los residuos restantes en la cámara del cepillo giratorio y la manguera con un paño.
- Para volver a armarlo, alinee el extremo del cepillo giratorio con la parte lateral del pie y fíjelo en su lugar presionando hacia abajo del extremo de la pestaña.
- Vuelva a colocar la cubierta de la boquilla alineando y presionando hacia abajo hasta que encastre.

Cuidado del filtro

Consulte la Figura 10 en la página 11

PRECAUCIÓN

A fin de reducir el riesgo de lesiones personales, apague el interruptor de alimentación y retire el paquete de baterías antes de realizar la limpieza o el mantenimiento.

- Limpie con frecuencia el filtro seco para mantener el rendimiento. El filtro está ubicado en la parte superior del tanque de agua sucia.
- Acceda al filtro extrayendo el tanque de agua sucia. Presione hacia abajo el pestillo de liberación de la parte delantera del tanque y tire del tanque hacia afuera de la unidad.
- Eleve la pestaña para extraer el filtro.
- Lave a mano con agua caliente y un detergente suave.
- Seque el filtro completamente antes de volver a armarlo (24 horas como mínimo).

PROTECCIÓN TÉRMICA

AVISO!

Se ha colocado un protector térmico en la aspiradora para protegerla contra el sobrecalentamiento. Cuando dicho protector se active, la aspiradora dejará de funcionar.

- De ser así, proceda como se indica a continuación:
 1. Apague el limpiador y retire el paquete de baterías.
 2. Vacíe el tanque de agua sucia.

3. Inspeccione el cepillo giratorio en busca de obstrucciones. Limpie cualquier obstrucción presente.
4. Una vez que haya extraído el paquete de baterías y el motor se haya enfriado durante 30 minutos, vuelva a instalar el paquete de baterías. El protector térmico se desactivará y usted podrá retomar la limpieza.
- Si el protector térmico sigue activándose después de realizar los pasos anteriores, llame al servicio de atención al cliente al 800-406-2005.

RESOLUCIÓN DE PROBLEMAS

Este producto no contiene piezas que el usuario pueda reparar. Si el aparato no funciona como debe; si se ha caído, ha sido dañado, dejado a la intemperie o sumergido en agua, comuníquese con el servicio de atención al cliente llamando al 800-406-2005.



ADVERTENCIA

A fin de reducir el riesgo de lesiones personales, apague el interruptor de alimentación y retire el paquete de baterías antes de realizar la limpieza o el mantenimiento.

Problema	Causa posible	Solución sugerida
Rocío reducido o ausente	1. El tanque de solución está vacío	1. Vuelva a llenar el tanque de solución
	2. El tanque de solución no está instalado completamente	2. Apague la alimentación, y vuelva a instalar el tanque de solución hasta que encastre
	3. Boquilla de solución obstruida	3. Siga las instrucciones tal como se muestran en la Fig. 9 para quitar la cubierta del cepillo giratorio. Sumerja la boquilla rociadora en una mezcla de solución y agua y deje en remojo por la noche, asegurándose de que la punta de la boquilla esté completamente sumergida (use una mezcla de 0.6 litros [2 onzas] de solución por cuarto de agua). Friege suavemente la boquilla rociadora con un cepillo suave. Enjuague con agua, seque y vuelva a instalar
Pérdida de succión	1. El tanque de agua sucia no está instalado correctamente	1. Apague la alimentación, retire y vuelva a instalar el tanque de agua sucia
	2. El tanque de agua sucia está lleno	2. Apague la alimentación, vacíe y vuelva a instalar el tanque de agua sucia
	3. La cubierta del cepillo giratorio no está instalada correctamente	3. Apague la alimentación, retire la cubierta del cepillo giratorio, y vuelva a instalar el cepillo giratorio y la cubierta según las instrucciones de la página 5
	4. La manguera de la boquilla de la parte trasera del cepillo giratorio está obstruida	4. Apague la alimentación, siga las instrucciones de cuidado del cepillo giratorio y la cubierta de la página 5.
	5. El filtro está atascado	5. Limpie y permita que el filtro se seque completamente
	6. El tanque de agua sucia está obstruido	6. Limpie el filtro del flotador del tanque de agua sucia. Gire el filtro en sentido antihorario para quitarlo de la tapa del tanque. Enjuague bien y vuelva a colocarlo alineando las ranuras y girando en sentido horario para asegurar la tapa del tanque
El cepillo giratorio no gira	1. El mango no está reclinado	1. Reclíne el mango y encienda la alimentación para permitir que el cepillo giratorio rote
	2. El cepillo giratorio no está instalado correctamente	2. Apague la alimentación, siga las instrucciones de cuidado del cepillo giratorio y la cubierta de la página 5
	3. El cepillo giratorio está obstruido	3. Apague la alimentación, siga las instrucciones de cuidado del cepillo giratorio y la cubierta de la página 5. Asegúrese de que el cepillo giratorio esté libre de cabello y suciedad
La máquina no se enciende	1. La batería no está instalada correctamente	1. Quite la batería, alinee los rieles guía con el frente del compartimiento de la batería y deslice la batería hacia abajo hasta que escuche un chasquido que asegure una conexión correcta
	2. La batería no tiene carga	2. Recargue la batería
	3. El mango no está instalado completamente	3. Retire la batería, extraiga el mango del cuerpo y siga las instrucciones de ensamblaje del producto de la página 4
	4. Una obstrucción impide que el cepillo giratorio gire	4. Apague la alimentación y retire la batería, y siga las instrucciones de cuidado del cepillo giratorio y la cubierta de la página 5. Asegúrese de que el cepillo giratorio esté libre de cabello y suciedad y vuelva a instalarlo. Si el problema continúa, espere 30 minutos y vuelva a intentarlo.
Fugas	1. La tapa del tanque de solución no está cerrada firmemente	1. Apague la alimentación, retire el tanque de solución, ajuste la tapa y vuelva a instalarlo
	2. El tanque de solución no está instalado correctamente	2. Apague la alimentación, retire el tanque de solución y vuelva a instalarlo hasta que encastre
Los pisos tienen vetas	1. Se aplicó demasiada solución	1. Limpie el área en modo HIGH (Alto) sin presionar el gatillo para extraer el exceso de solución
	2. Se utilizó una solución distinta a la solución para varias superficies de Hoover recomendada	2. Limpie el área usando la línea de soluciones para varias superficies de Hoover y siga las instrucciones para llenar el tanque de la página 4
	3. La solución no se mezcló correctamente	3. Siga las instrucciones para llenar el tanque en la página 4 y vuelva a limpiar el área
	4. El cepillo giratorio no se enjuagó ni se secó completamente después y antes del uso	4. Siga las instrucciones para enjuagar el cepillo giratorio de la página 5 y vuelva a limpiar los pisos
La luz del cargador parpadea en rojo, y la batería no se carga	1. Existe un error en la batería	1. Retire la batería del cargador y vuelva a intentarlo. Si el problema continúa, llame al servicio de atención al cliente para obtener asistencia

ACCESORIOS

Busque estos accesorios en Hoover.com o Hoover.ca o llame al 800-406-2005.

Todas las baterías ONEPWR funcionan con todos los productos ONEPWR.		Piezas y accesorios:	
Batería:	N.º de modelo	Cargador	BH05000
2.0 Ah	BH15020	Filtro de uso seco	AH45201
3.0 Ah	BH15030	Tanque de solución	440013915
3.0 Ah MAX	BH25030	Tanque de recuperación	440013917
4.0Ah	BH15240	Conjunto de tapa del tanque recuperación	440013918
4.0Ah MAX	BH25040	Conjunto de boquilla desmontable	440013920
6.0Ah	BH15260	Cepillo giratorio multi-propósito FloorMate Jet™	AH55201
		Cepillo giratorio suave FloorMate Jet™	AH55202
		Cepillo giratorio para fregado FloorMate Jet™	AH55203

PRODUCTOS DE LIMPIEZA

ADVERTENCIA: PARA REDUCIR EL RIESGO DE INCENDIO Y DESCARGA ELÉCTRICA DEBIDO A DAÑOS DE LOS COMPONENTES INTERNOS, UTILICE ÚNICAMENTE PRODUCTOS DE LIMPIEZA HOOVER® DISEÑADAS PARA EL PRODUCTO, COMO SE INDICA ABAJO.

Solución:	N.º de modelo	Proporción de mezcla:
Multi-Surface	H30427	59 cm3 (2 onzas) a un cuarto
Multi-Floor	AH30425NF	29 cm3 (1 onza) a un cuarto
Hard Floor	AH30426	29 cm3 (1 onza) a un cuarto
Multi-Floor Plus	AH30420NF	29 cm3 (1 onza) a un cuarto
Multi-Floor Plus	AH30420CA	29 cm3 (1 onza) a un cuarto
Multi-Floor Plus	AH30425	29 cm3 (1 onza) a un cuarto
Floor Mate Max	AH30388	29 cm3 (1 onza) a un cuarto
Multi-Floor Plus	AH30420	29 cm3 (1 onza) a un cuarto
Grout and Tile Plus	AH30435NF	29 cm3 (1 onza) a un cuarto
Grout and Tile Plus	AH30430NF	29 cm3 (1 onza) a un cuarto
Multi-Surface Pet	AH30429	59 cm3 (2 onzas) a un cuarto
Multi-Surface Pet	AH30429CA	59 cm3 (2 onzas) a un cuarto
Multi-Surface	AH30428	59 cm3 (2 onzas) a un cuarto
Tile & Grout	AH30433	59 cm3 (2 onzas) a un cuarto
Wood	AH30431	59 cm3 (2 onzas) a un cuarto

GARANTÍA DE SERVICIO

INFORMACIÓN DE SERVICIO Y GARANTÍA LIMITADA PARA PRODUCTOS ONEPWR DE HOOVER®

Si necesita ayuda con la garantía, o tiene preguntas sobre su producto ONEPWR de Hoover, comuníquese con el Servicio de atención al cliente. Para el servicio en EE. UU. o Canadá, llame al 800-406-2005.

El propietario deberá pagar todos los costos de envío y/o transporte desde y hasta cualquier lugar de reparación. Identifique su producto de acuerdo al número del modelo y el código de fabricación cuando solicite información o realice el pedido de las piezas de repuesto. (El número de modelo y el código de fabricación de la aspiradora aparecen detrás de la copa de recolección de residuos o del cargador), GARANTÍA LIMITADA DE SEIS MESES (USO DOMÉSTICO) (GARANTÍA LIMITADA DE SEIS MESES DE LA BATERÍA)

COBERTURA DE LA GARANTÍA LIMITADA: Esta garantía limitada provista por Royal Appliance Mfg. Co., que realiza negocios como TTI Floor Care North America (a la que se hará referencia como "Hoover" en el presente documento) se aplica solo a productos adquiridos en EE. UU. (incluidos sus territorios y posesiones), una Tiendas de intercambios militares de los EE. UU. o Canadá. En casos de uso y mantenimiento domésticos en condiciones normales y conforme a la Guía del propietario, el producto y la batería Hoover® tienen garantía contra fallas de fábrica en los materiales y fallas por mano de obra por un periodo de dos años desde la fecha de compra original (en adelante, el "Plazo de la garantía"). Si Hoover determina que el problema que presenta cuenta con la cobertura de los términos de la garantía del producto (un "reclamo de la garantía cubierto"), a nuestro criterio y sin costo (sujeto al costo de envío), repararemos su producto o enviaremos un producto de reemplazo, que será nuevo o refabricado y estará sujeto a disponibilidad. Las piezas y reemplazos pueden ser nuevos, reacondicionados, con poco uso o refabricados, según el criterio de Hoover. Si no hay piezas y reemplazos disponibles, a nuestro criterio, podemos otorgar un producto similar de igual o superior valor, un crédito para la compra (si corresponde) o reembolsar el precio de la compra real al momento de la compra original, tal como se indique en el recibo de venta original.

PERSONAS AFECTADAS POR LA COBERTURA DE LA GARANTÍA LIMITADA: Esta garantía limitada se extiende únicamente al comprador minorista original, con comprobante de compra original de Hoover o un distribuidor autorizado de productos Hoover, en EE. UU., Tiendas de intercambios militares de los EE. UU., y en Canadá.

¿CÓMO HACER UN RECLAMO DE LA GARANTÍA?: Si este producto no cumple con la garantía, comuníquese con el Servicio de atención al cliente de Hoover. Tenga a mano el comprobante de compra y el número de modelo para el producto cubierto por la garantía.

¿QUÉ ES LO QUE NO CUBRE ESTA GARANTÍA LIMITADA?: Esta garantía no cubre el uso del producto en operaciones comerciales (tales como servicios de limpieza, portería y servicios de alquiler de equipos, u otra actividad generadora de ingresos); el mantenimiento inadecuado del producto; el producto si ha sido expuesto a abuso, negligencia, mal uso, vandalismo o el uso de voltajes diferentes a los especificados en la placa de identificación del producto. Esta garantía no cubre los daños provocados por actos fortuitos, accidentes, actos u omisiones del propietario, mantenimiento del producto por parte de un proveedor de servicios distinto de Hoover o no autorizado por Hoover (si corresponde), u otros actos que excedan el control de Hoover. Esta garantía tampoco cubre el uso fuera del país en el que se compró el producto originalmente, o la reventa del producto que realice el propietario original. Esta garantía no cubre la recolección, la entrega, el transporte ni las llamadas domésticas. Además, esta garantía no cubre ningún producto que haya sido alterado o modificado, reparado en forma necesario por el desgaste normal, o en el cual se hayan utilizado piezas o accesorios incompatibles con el producto Hoover o que afecten de manera negativa su funcionamiento, rendimiento o durabilidad. Los elementos con desgaste normal que no estén cubiertos por esta garantía incluyen, entre otros, correas, filtros, cepillos giratorios, ventiladores sopladores, sopladores y tubos aspiradores, y bolsas y cintas para la aspiradora.

Llame al Servicio de atención al cliente de Hoover al 800-406-2005 para obtener información sobre cómo enviar este producto. Esta garantía no se aplica a los productos comprados fuera de los Estados Unidos, tiendas de intercambios militares de los EE. UU. o Canadá.

OTROS TÉRMINOS IMPORTANTES: Esta garantía no es transferible y no puede asignarse, cualquier asignación realizada en contravención con esta prohibición quedará nula. Esta garantía se regirá e interpretará bajo las leyes del estado de Carolina del Norte. El Plazo de la garantía no se prolongará por el reemplazo de las baterías o piezas, ni por cualquier reparación realizada conforme a esta garantía.

ESTA GARANTÍA TIENE PREVALENCIA EXCLUSIVA COMO TAL Y COMO RECURSO LEGAL, Y QUEDAN EXPRESAMENTE RECHAZADAS TODAS LAS GARANTÍAS EXPRESAS E IMPLÍCITAS DIFERENTES DE LA GARANTÍA LIMITADA ESTABLECIDA ANTERIORMENTE RESPECTO DE ESTE PRODUCTO, CON INCLUSIÓN DE LAS GARANTÍAS IMPLÍCITAS DE APTITUD PARA LA VENTA O ADECUACIÓN A FINES ESPECÍFICOS. EN NINGÚN CASO, HOOVER SERÁ RESPONSABLE POR LOS DAÑOS ESPECIALES, INDIRECTOS, INCIDENTALS O CONSECUENTES DE NINGÚN TIPO QUE SUFRA EL PROPIETARIO O CUALQUIER PARTE QUE RECLAME POR INTERMEDIO DE ESTE, YA SEA CON BASE EN UN CONTRATO, POR NEGLIGENCIA, HECHO ILÍCITO CIVIL O RESPONSABILIDAD OBJETIVA, NI POR NINGUNA OTRA CAUSA. EN LA MÁXIMA MEDIDA PERMITIDA POR LAS LEYES APLICABLES, NINGUNA GARANTÍA QUE SURJA DE LA APLICACIÓN DE LA LEY, SI ES APLICABLE, SUPERARÁ LA DURACIÓN DE LA GARANTÍA LIMITADA AQUÍ PROVISTA. LA RESPONSABILIDAD DE HOOVER POR DAÑOS Y POR TODO GASTO QUE SURJA DE ESTA DECLARACIÓN DE GARANTÍA LIMITADA QUEDARÁ RESTRINGIDA AL MONTO ABONADO POR ESTE PRODUCTO AL MOMENTO DE SU COMPRA ORIGINAL, Y HOOVER NO SERÁ RESPONSABLE DE NINGÚN DAÑO DIRECTO, INDIRECTO, EMERGENTE O INCIDENTAL QUE SURJA DEL USO O DE LA IMPOSIBILIDAD DE USO DE ESTE PRODUCTO.

Algunos estados no permiten la exclusión o la limitación de daños incidentes o consecuentes, descargos de garantías implícitas o limitaciones con respecto a la duración de garantías implícitas; por lo tanto, es posible que las exclusiones, los descargos y/o las limitaciones no se apliquen en su caso.

Esta garantía le otorga derechos legales específicos. También puede tener otros derechos, que varían según el estado.