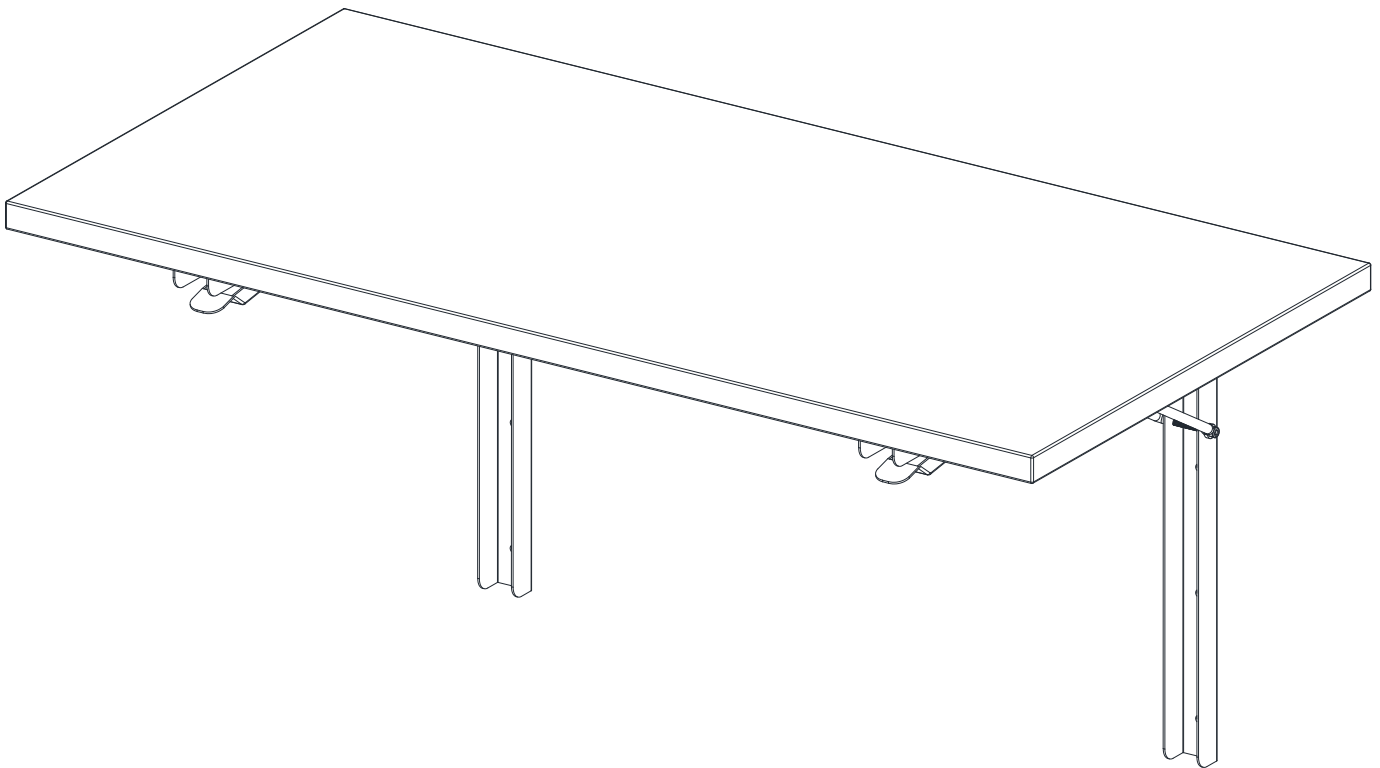


Item # 1002718513
Model # WSHD48FWB

USE AND CARE GUIDE

48 IN. FOLDING WORKBENCH



Questions, problems, missing parts?
Before returning to the store, call Customer Service
8 a.m. – 7 p.m., EST, Monday-Friday, 9 a.m. – 6 p.m., EST, Saturday

1-877-527-0313

HOMEDEPOT.COM

Table of Contents

Table of Contents	2	Package Contents.....	3
Safety Information.....	2	Installation.....	4
Limited Lifetime Warranty.....	2	Care and Cleaning	6
Pre-installation	3	Maintenance	6
Planning Installation	3	Troubleshooting.....	6
Tools Required	3	Service Parts	7
Hardware Included	3		

Safety Information



NOTE: Please read and understand these instructions before assembling and using this product. Save these instructions for future reference.

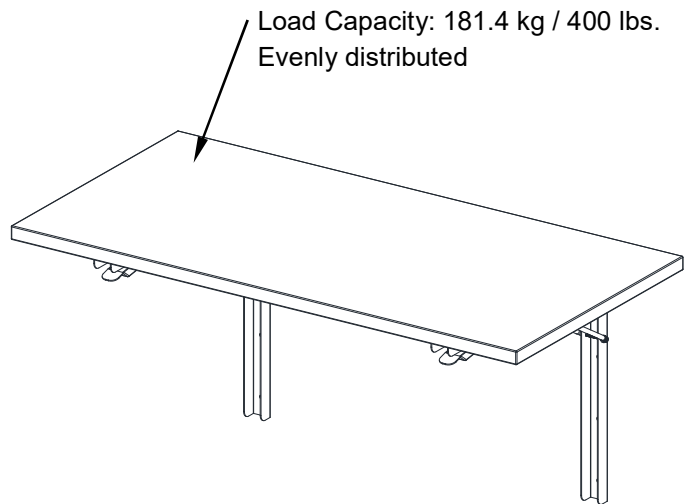
- The product is not recommended for outdoor use.
- To avoid damage, assemble the product on a sturdy, level surface.
- Two or more persons must work together to install the unit onto the wall.
- Make sure all bolts / screws are tightly fastened before the unit is used.
- Check bolts / screws periodically. Tighten the bolts when loose.
- Load Capacity: 181.4 kg / 400 lbs. Evenly distributed



WARNING: Do not allow children to climb or play in or around this product.



WARNING: Use with products heavier than the maximum weight limits indicated may result in product instability and may cause injury. Distribute weight evenly.



Limited Lifetime Warranty

This product is warranted to the original purchaser. If there is a failure in this unit due to defects in materials or workmanship, the manufacturer will repair or replace this item at our discretion without charge. Warranty is void if product has been assembled incorrectly, misused, abused by overloading, altered in any way, or damaged due to accident. This warranty is not transferable and does not cover chipping, flaking, scratches, rust, dents, or other damages to the surfaces of this product. Responsibility of the manufacturer is limited to repair or replacement of this product. The manufacturer is not responsible for consequential, incidental, or other damages or losses resulting from product failure. This warranty is in lieu of all other expressed warranties. Some states do not allow the exclusion or limitation of incidental or consequential damages, so the above limitation may not apply to you. This warranty gives you specific legal rights and you may have other rights which vary from state to state.

Contact the Customer Service Team at 1-877-527-0313 or visit www.HomeDepot.com.

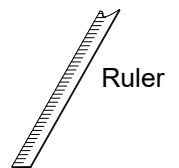
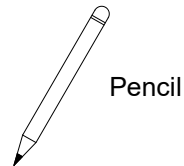
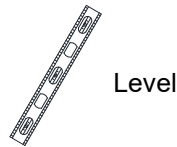
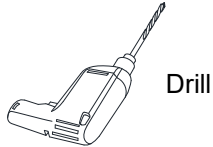
Pre-installation

PLANNING INSTALLATION

Read all instructions before installation. To avoid damaging this product, assemble it on a soft, non-abrasive surface such as carpet or cardboard.

Unpack the unit and compare all parts with the Hardware Included and Package Contents list. If any part appears missing or damaged, do not install this product and contact the Customer Service Team at 1-877-527-0313 or visit www.HomeDepot.com.

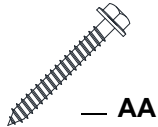
TOOLS REQUIRED



HARDWARE INCLUDED

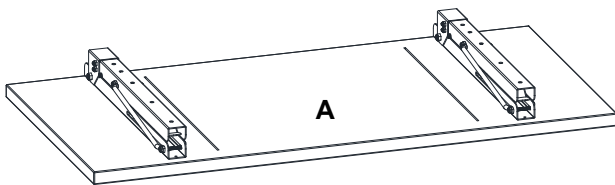


NOTE: Hardware not shown to actual size.



Part	Description	Quantity
AA	Wood screw M8*40mmL	10 + 1 extra

PACKAGE CONTENTS

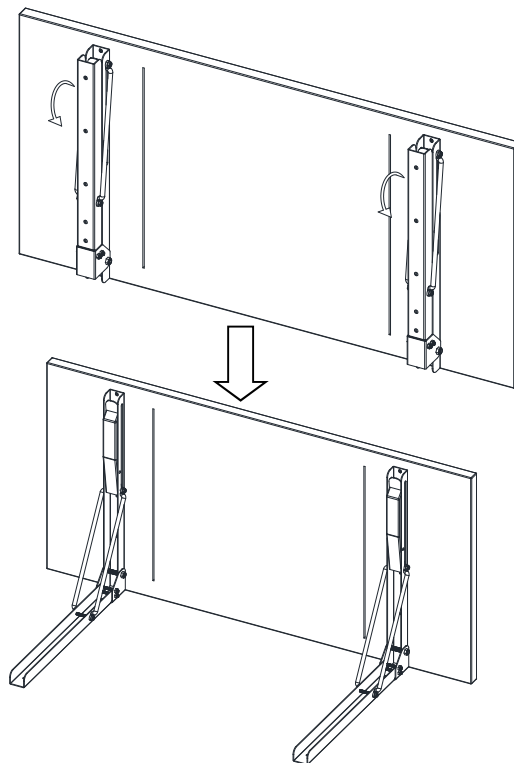


Part	Description	Quantity
A	Folding workbench	1

Installation

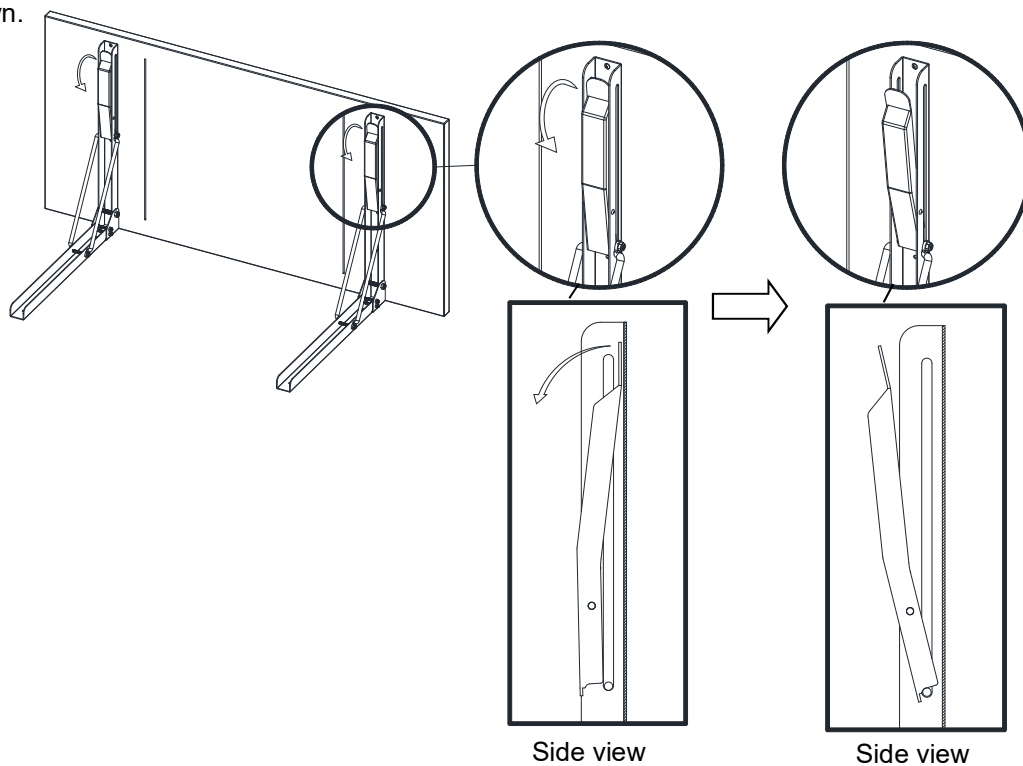
1 Opening the brackets

- Open the brackets underneath the table as shown.



2 Locking the table in place

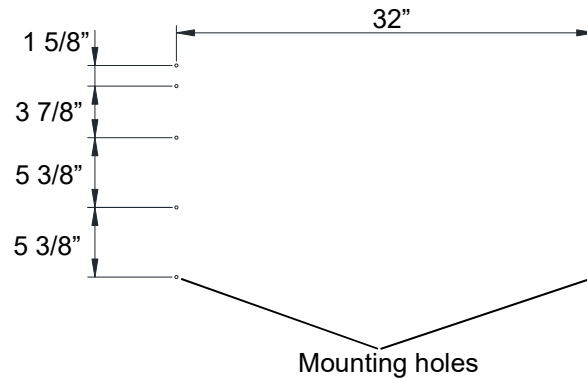
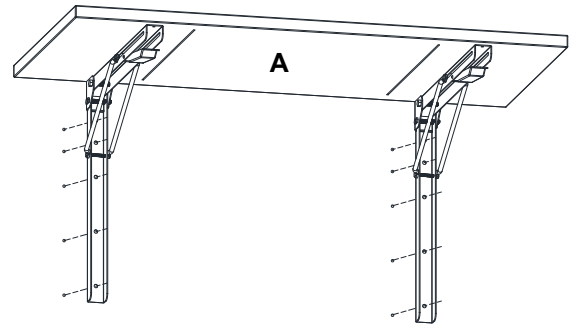
- Press the buckles on the brackets to lock the table into place as shown.



Installation (continued)

3 Making the mounting holes for a wall installation

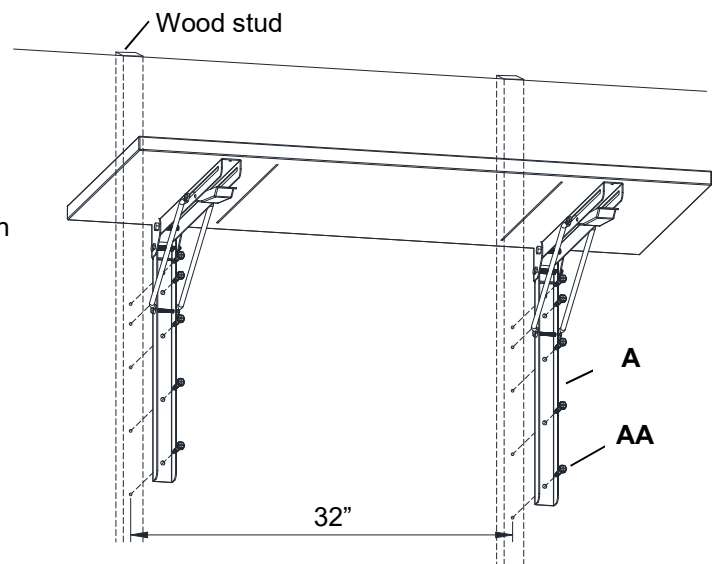
- Using a stud finder, mark the center line of each wall stud with a vertical reference line.
- Mark the mounting holes for the folding workbench (A) using a pencil (not included) as shown.



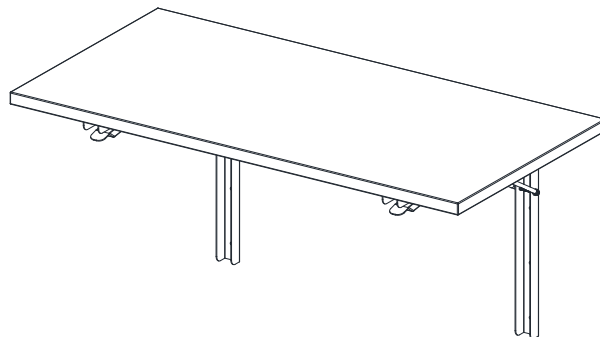
Floor

4 Attaching the workbench on the wall

- Drill a 3/16 in. pilot hole at the marked locations over each wall stud.
- With the beveled edge facing up, attach the workbench (A) to the wall using the M8 wood screws (AA).



Assembled Product



Care and Cleaning

- Use a soft, clean cloth that will not scratch the surface when dusting.
- Use of furniture polishes is not necessary. Should you choose to use polishes, test the polish in an inconspicuous area before using.
- Using solvents of any kind on your furniture may damage the finish.
- Never use water to clean your furniture as it may cause damage to the finish.
- Always use coasters under beverage glasses and flowerpots.
- Liquid spills should be removed immediately. Using a soft clean cloth, blot the spill gently. Avoid rubbing.
- Always use protective pads under hot dishes and plates. Heat can cause chemical changes that may create spotting within the furniture finish.
- Use care as stains or marks from crayons or ink markers may be difficult to remove.

Maintenance

- In the event that your furniture is stained or otherwise damaged during use, we recommend that you call a professional to repair your furniture.
- Check bolts/screws periodically and tighten them if necessary.

Troubleshooting

PROBLEM	POSSIBLE CAUSE	CORRECTIVE ACTION
The Workbench is tilted.	The brackets are not installed at the same level.	Use a quality level to ensure the brackets are level with each other.

Service Parts



— AA



— BB

Part	Description	Quantity
AA	Wood screw M8*40mmL	10 + 1 extra
BB	Screw M5x15mmL	6

Questions, problems, missing parts?
Before returning to the store, call Customer Service
8 a.m. – 7 p.m., EST, Monday-Friday, 9 a.m. – 6 p.m., EST, Saturday

1-877-527-0313

HOMEDEPOT.COM

Retain this manual for future use.