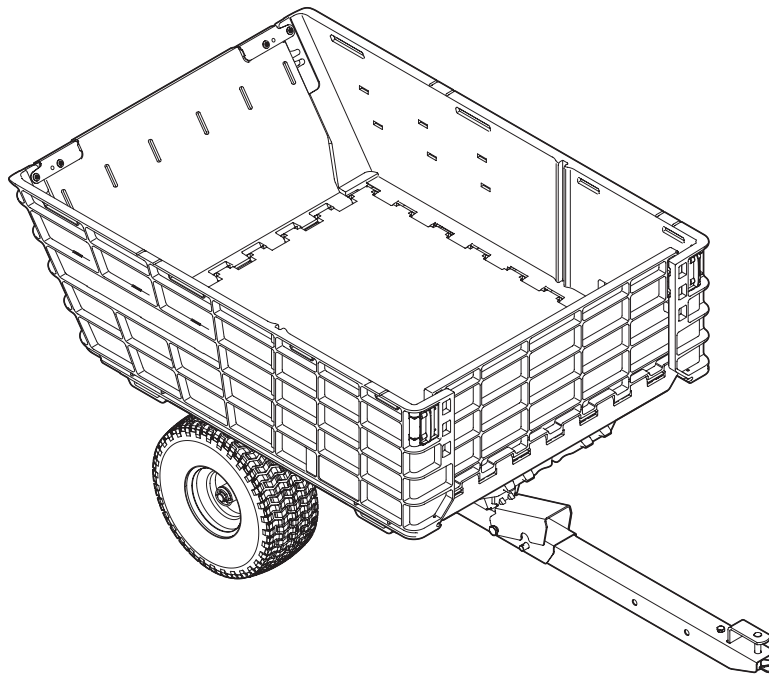


# *Cub Cadet*<sup>®</sup>

## OPERATOR'S MANUAL



- Español, P. 13
- Français, P. 20

### **Cub Cadet Hauler 19B40026100**

#### **⚠ WARNING**

**READ AND FOLLOW ALL SAFETY RULES AND INSTRUCTIONS IN THIS MANUAL  
BEFORE ATTEMPTING TO OPERATE THIS EQUIPMENT.  
FAILURE TO COMPLY WITH THESE INSTRUCTIONS MAY RESULT IN PERSONAL INJURY.**

**CUB CADET LLC, P.O. BOX 361131 CLEVELAND, OHIO 44136-0019**

## Thank You

Thank you for purchasing a Cub Cadet Hauler. It was carefully engineered to provide excellent performance when properly operated and maintained.

Please read this entire manual prior to operating the equipment. It instructs you how to safely and easily set up, operate and maintain your equipment. Please be sure that you, and any other persons who will operate the equipment, carefully follow the recommended safety practices at all times. Failure to do so could result in personal injury or property damage.

All information in this manual is relative to the most recent product information available at the time of printing. Review this manual frequently to familiarize yourself with the equipment, its features and operation. Please be aware that this Operator's Manual may cover a range of product specifications for various models. Characteristics and features discussed and/or illustrated in this manual may not be applicable to all models. Cub Cadet LLC reserves the right to change product specifications, designs and equipment without notice and without incurring obligation.

If you have any problems or questions concerning this equipment, phone your local Cub Cadet dealer or contact us directly. Cub Cadet's Customer Support telephone numbers, website address and mailing address can be found on this page. We want to ensure your complete satisfaction at all times.

Throughout this manual, all references to LEFT, RIGHT, FRONT, and REAR indicate that position on the hauler when facing forward while seated in the tractor's operator seat.

## Table of Contents

<i>Safe Operations</i> .....	3	<i>Maintenance &amp; Adjustment</i> .....	7
<i>Assembly &amp; Set-Up</i> .....	5	<i>Illustrated Parts List</i> .....	8
<i>Controls &amp; Features</i> .....	6	<i>Attachments &amp; Accessories</i> .....	12
<i>Operation</i> .....	7	<i>Warranty</i> .....	30

## Record Product Information

Before setting up and operating your new equipment, please locate the model plate on the equipment and record the information in the provided area to the right. You can locate the model plate by looking at the bracket between the wheels. This information will be necessary, should you seek technical support via our web site, Customer Support Department, or with a local authorized service dealer.

### MODEL NUMBER

--	--	--	--	--	--	--	--	--	--	--	--

### SERIAL NUMBER

--	--	--	--	--	--	--	--	--	--	--	--

## Product Registration and Customer Support

Please register your product on our website, [www.cubcadet.com](http://www.cubcadet.com).

If you have difficulty assembling this product or have any questions regarding the controls, operation, or maintenance of this equipment, you can seek help from the experts. Choose from the options below:

- ◇ Visit us on the web at [www.cubcadet.com](http://www.cubcadet.com)
- ◇ Call a Customer Support Representative at (800) 965-4CUB
- ◇ Locate your nearest Cub Cadet Dealer at (877) 282-8684
- ◇ Write to Cub Cadet LLC • P.O. Box 361131 • Cleveland, OH • 44136-0019

The hauler was designed for hauling activities typically associated with residential lawn and garden maintenance activities in conjunction with a suitable towing vehicle with a compatible hitch.

## General Operation

1. Read, understand, and follow all instructions on the equipment and in the manual(s) before attempting to assemble and operate. Keep this manual in a safe place for future and regular reference and for ordering replacement parts.
2. Never carry passengers in or on the hauler.
3. Never allow children less than 14 years of age to operate the towing vehicle or hauler. Children 14 and over should read and understand the instructions and safe operation practices in this manual, on the hauler, and the towing vehicle manual and should be trained and supervised by an adult.
4. Never allow adults to operate the towing vehicle or hauler without proper instruction.
5. Check the towing vehicle brake action before use with the hauler. Adjust or service the brakes per the manufacturer instructions as necessary.
6. Keep bystanders, children and pets away from the towing vehicle and the hauler while it is in operation.
7. Wear sturdy, rough-soled work shoes and close-fitting slacks and shirts. Avoid loose fitting clothes and jewelry which can be caught in movable parts of the hauler. Never operate this hauler in bare feet or sandals.
8. Your hauler is not a toy. Use extreme caution at all times. The hauler's purpose is to haul material. Do not use it for any other purpose.
9. Make sure you have control of the towing vehicle and hauler at all times. Do not rush. Take your time. When in doubt about the towing vehicle and hauler or your surroundings, stop and take time to look things over. Make sure you are able to proceed in a safe manner.
10. Watch for traffic when operating near or crossing roadways.
11. Go slow. The hauler is not intended for use on any public roadway or highway use.
12. Do not operate hauler while under the influence of alcohol or drugs.
13. Operate only in daylight or good artificial light.
14. Always look down and behind before and while backing the tow vehicle and hauler to avoid a back-over accident.

15. Slow down before turning. Operate the towing vehicle smoothly. Avoid erratic operation and excessive speed particularly when carrying a full or heavy load or on slopes.
16. Never leave a loaded cart unattended.
17. Use only accessories and attachments approved for your hauler by the hauler manufacturer. Read, understand and follow all instructions provided with the approved accessory or attachment.
18. If situations occur which are not covered in this manual, use care and good judgment. Contact your customer service representative for assistance.

## Towing, Loading and Unloading Safety

1. Do not exceed the 1000 lb. load capacity of the hauler or the limits of the towing vehicle.
2. Exceeding stated load capacity can lead to loss of traction needed for slowing the vehicle down and stopping.
3. Reduce towed weight when operating on slopes.
4. Operate this hauler with towing vehicles designed with a compatible tow hitch for this hauler.
5. Do not allow riders on or in this hauler.
6. Make sure dump latch is securely latched before loading or operating the unit.
7. Spread load evenly in bed. Secure load to prevent movement. Avoid top-heavy loads which could cause hauler to tip.
8. Go slow. Avoid sudden starts and stops which could cause load to shift and loss of control.
9. Use towing vehicle parking brake while loading and unloading this hauler. When lowering dump bed, keep hands and other body parts from between bed and frame. Keep bystanders away.
10. Unload dump bed before disconnecting hauler from towing vehicle. Keep body parts from under hauler tongue.

## Slope Operation

Slopes are a major factor related to loss of control and tip-over accidents which can result in severe injury or death. All slopes require extra caution. If you cannot back up the slope or if you feel uneasy on it, do not.

Do not tow heavy loads on slopes greater than 5 degrees. When going downhill, the extra weight tends to push the tow vehicle and may cause you to lose control (e.g. tow vehicle may speed up, braking and steering ability are reduced, hauler may jack-knife and cause tow vehicle to overturn.)

For your safety, use the slope gauge included as part of this manual to measure slopes before operating hauler on a sloped or hilly area. If the slope is greater than 5 degrees as shown on the slope gauge, do not operate hauler with a heavy load on that area or serious injury could result.

### Do:

1. Operate up and down slopes, not across. Exercise extreme caution when changing direction on slopes.
2. Reduce speed, especially when going downhill, to avoid loss of control.
3. Watch for holes, ruts, bumps, rocks, or other hidden objects that could cause the hauler to tip over.
4. Go slow. Choose a low enough tow vehicle speed setting so that you will not have to stop or shift while on the slope. Tires may lose traction on slopes even though the brakes are functioning properly. Always keep tow vehicle in gear when going down slopes to take advantage of engine braking action.
5. Follow the tow vehicle manufacturer's recommendations for towing operations. Do not exceed the hauler recommendations regardless of tow vehicle capabilities.
6. Keep all movement on the slopes slow and gradual. Do not make sudden changes in speed or direction. Rapid acceleration or braking could cause the towing vehicle, hauler, and load to become unstable which could cause serious injury.
7. Avoid starting or stopping on a slope.

### Do Not:

1. Do not turn on slopes unless necessary; then, turn slowly and gradually downhill, if possible.
2. Do not drive near drop-offs, ditches or embankments. The tow vehicle and hauler could suddenly turn over if a wheel is over the edge of a cliff, ditch, or if an edge caves in.
3. Do not operate the towing vehicle and this hauler on steep slopes.
4. Do not operate towing vehicle and hauler on wet grass or loose ground surfaces. Reduced traction could cause sliding.




5. Do not shift to neutral and coast downhill. Over-speeding may cause the operator to lose control of the towing vehicle and hauler resulting in serious injury or death.
  6. Do not tow loaded hauler on slopes greater than 5 degrees. When going downhill, the extra weight tends to push the towing vehicle and may cause you to lose control (e.g. towing vehicle may speed up, braking and steering ability are reduced, attachment may jack-knife and cause towing vehicle to overturn).
  7. Do not make sudden changes in speed or direction.
- a. Keep children out of the operating area and in watchful care of a responsible adult other than the operator.
  - b. Be alert and turn the towing vehicle off if a child enters the area.
  - c. Before and while backing, look behind and down for small children.
  - d. Never carry children on the towing vehicle or hauler. They may fall off and be seriously injured or interfere with safe hauler operation.
  - e. Use extreme care when approaching blind corners, doorways, shrubs, trees or other objects that may block your vision of a child who may run into the path of the towing vehicle and hauler.
  - f. Keep children away from hot or running engines. They can suffer burns from a hot muffler.
  - g. Remove key when a towing vehicle is unattended to prevent unauthorized operation.
2. Never allow children less than 14 years of age to operate the towing vehicle or hauler. Children 14 and over should read and understand the instructions and safe operation practices in this manual, on the hauler, and the towing hauler manual and should be trained and supervised by an adult.

### Children

1. Tragic accidents can occur if the operator is not alert to the presence of children. Children are often attracted to the towing vehicle and hauler. They do not understand the dangers. Never assume that children will remain where you last saw them.

### Safety Symbols

This page depicts and describes safety symbols that may appear on this product. Read, understand, and follow all instructions on the machine before attempting to assemble and operate.

Symbol	Description
	<b>READ THE OPERATOR'S MANUAL(S)</b> Read, understand, and follow all instructions in the manual(s) before attempting to assemble and operate.
	<b>DANGER</b> — Do not carry children or passengers.
	This symbol points out important safety instructions which, if not followed, could endanger the personal safety and/or property of yourself and others. Read and follow all instructions in this manual before attempting to operate this machine. Failure to comply with these instructions may result in personal injury. When you see this symbol. Heed its warning.



**WARNING!** Your Responsibility—Restrict the use of this power machine to persons who read, understand and follow the warnings and instructions in this manual and on the machine.

**SAVE THESE INSTRUCTIONS!**



## Contents of Carton

- One Hauler Assembly
- One Hardware Pack
- One Tongue Assembly
- One Operator's Manual
- Two Wheel Assemblies

**NOTE:** All references to LEFT, RIGHT, FRONT, and REAR indicate the hauler position when seated in the tractor's operator seat and facing forward.

## Hardware Pack

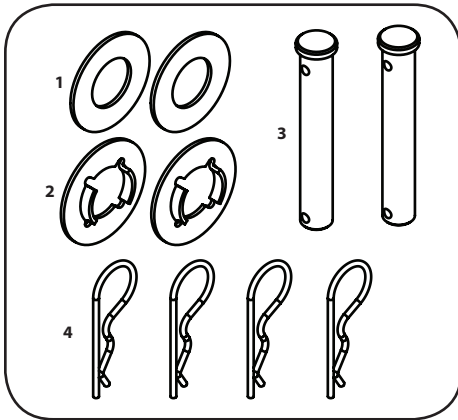


Figure 3-1

The contents of the hardware pack are listed below and referenced in Figure 3-1.

1. Two (2) Flat Washers, .760 x 1.490 x .060 (736-0351)
2. Two (2) Flange Washers, .781 x 1.590 (736-04228A)
3. Two (2) Clevis Pins, .50 x 3.25 (711-06472)
4. Four (4) Cotter Pins (714-3020)

## Hauler Preparation

1. Carefully unpack the contents of the carton and unwrap and cut any cable ties securing the contents in the carton.
2. Carefully stand the hauler up as shown in Figure 3-2.

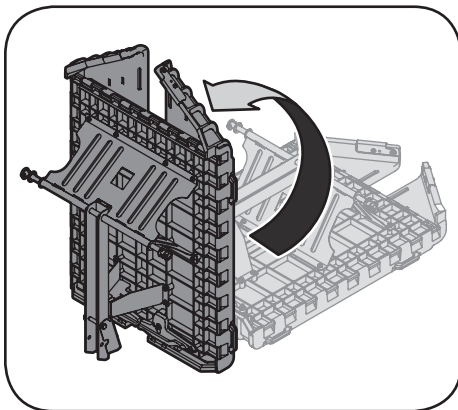


Figure 3-2

3. Before installing the wheels, the axles and the inside of the rims should be greased. Apply some grease (not supplied) to the exposed portion of the axle and coat the axle completely. Apply a small amount of grease (not supplied) into the rim hub.
4. Slide the inner flat washer from the hardware pack, the tire and outer flanged washer from the hardware pack onto the axle as shown in Figure 3-3. Make sure the valve stem on the tire rim is facing outward.

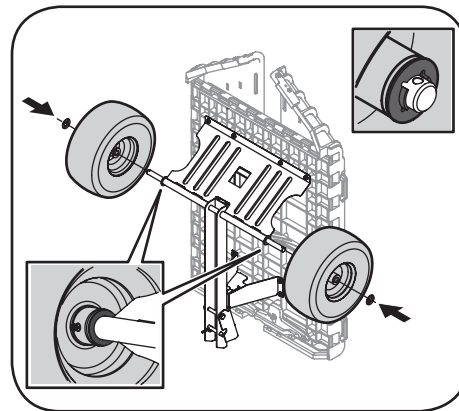


Figure 3-3

5. Install the cotter Pins from the hardware pack through the holes in the axles to secure the tires in place. See Figure 3-4.

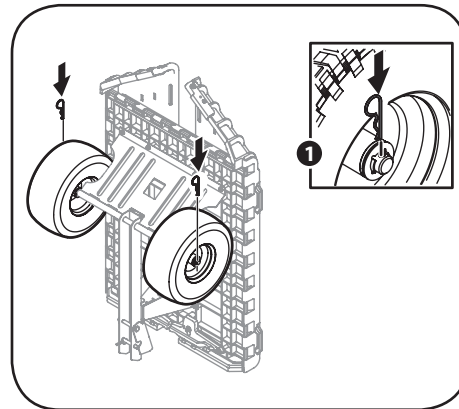


Figure 3-4

6. Carefully set the hauler down onto its wheels.
7. Locate the panel latch on the front of the hauler. Push the panel latch inward and raise the sides of the hauler bed. See Figure 3-5.

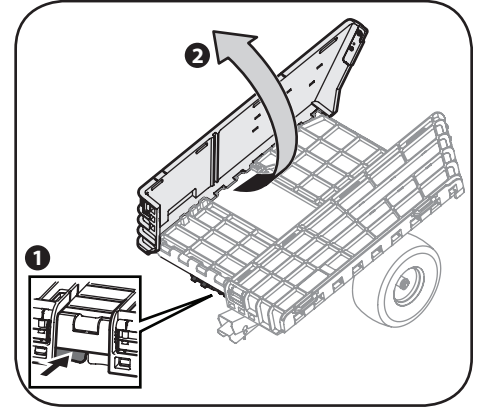


Figure 3-5

8. Repeat Step 7 on the other side of the bed.
9. With both sides now raised, lift the front panel up and insert the front panel into the side panels pull outward on the tabs until they click into place. See Figure 3-6.

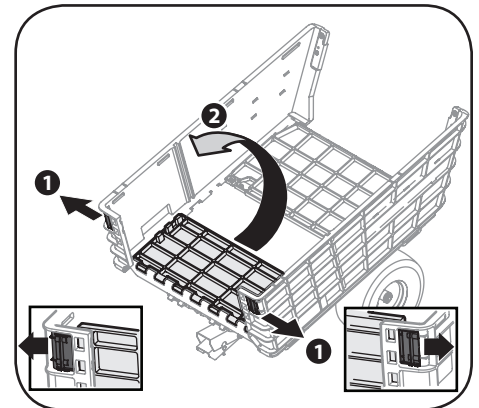


Figure 3-6

10. Lift the tailgate latches and then lift the tailgate into place. See Figure 3-7.

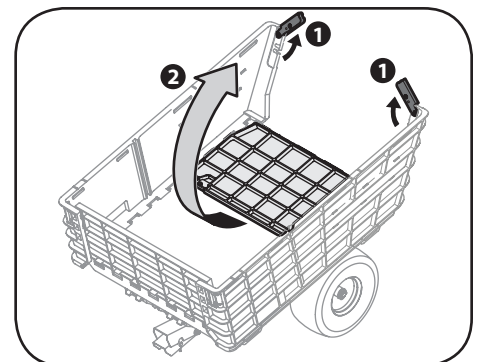
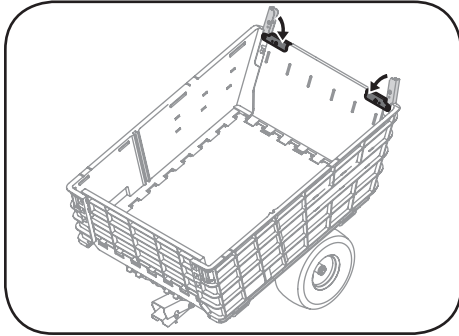


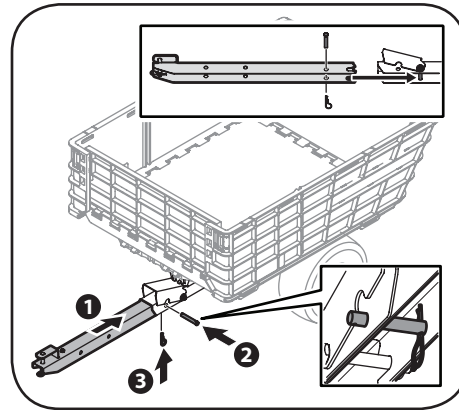
Figure 3-7

- When the tailgate is in position, secure it in place by snapping the tailgate latches onto the tailgate. See Figure 3-8.



**Figure 3-8**

- Remove the clevis pin and the cotter pin from the hardware pack.



**Figure 3-9**

- Slide the tongue assembly into the tongue bracket as shown in Figure 3-9. Line up the rear-most hole with the hole in the tongue bracket and insert the clevis pin through the tongue assembly and the tongue bracket. Secure the clevis pin with the cotter pin as shown in Figure 3-9.

- Be sure that the clevis pin is installed on the interior of the tongue assembly and the tongue bracket as shown in the inset in Figure 3-9.

### Checking Tire Pressure



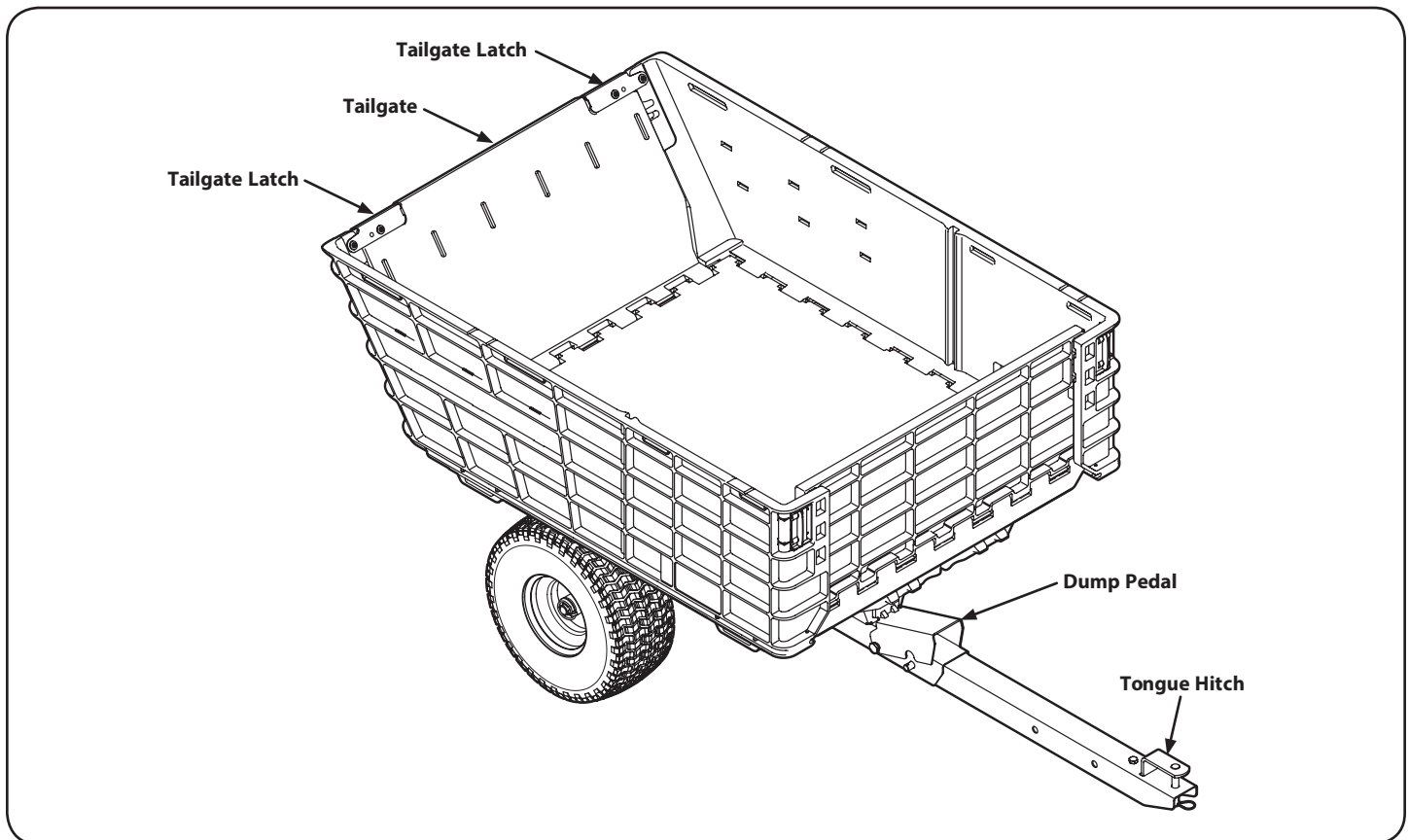
**Warning!** Equal tire pressure should be maintained at all times. Refer to the tire sidewall for proper pressure.

The tires on your hauler may be over-inflated for shipping purposes. Adjusting the tire pressure before using the hauler may be required. Check the sidewall of tire for maximum p.s.i.

**NOTE:** The recommended tire pressure is 14 p.s.i.

## Controls & Features

# 4



**NOTE:** References to LEFT, RIGHT, FRONT, and REAR indicate that position on the hauler when facing forward while seated in the tractor's operator seat.

### Tailgate

The tailgate is located on the back of the hauler and can be opened for loading and locks into place with the use of the two tailgate latches.

### Tailgate Latches

The tailgate latches are located on the rear of the hauler and are used to secure the tailgate.

### Tongue Hitch

The tongue hitch is located on the front of the tongue and is used to hook the hauler up to your tractor.

### Dump Pedal

The dump pedal is located on the tongue and can be used to dump the contents of the hauler.

## Attaching the Hauler to Your Tractor

1. Remove the clevis pin and cotter pin from the hardware pack.

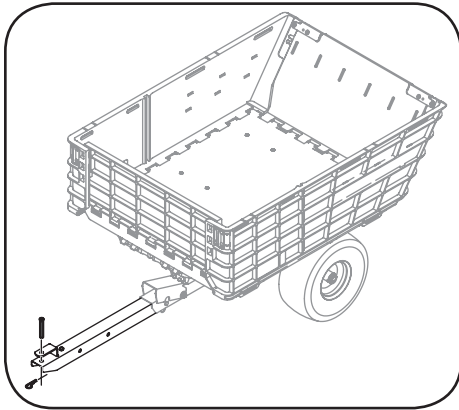


Figure 5-1

2. Carefully slide the tongue hitch onto the hitch bracket on the back of your tractor and secure in place with the hardware removed in Step 1. See Figure 5-1.

## Dumping the Hauler

1. The contents of the hauler can be dumped by pressing down on the dump pedal on the tongue. See Figure 5-2.
2. Raise the back of the hauler bed and push down on the front of the bed until the bed bracket clicks into place.

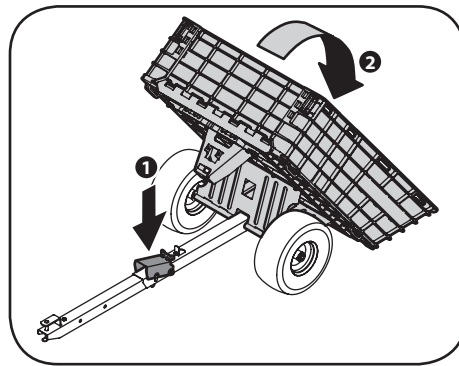


Figure 5-2

## Lowering the Tailgate

Pull up on the tailgate latches to lower the tailgate. See Figure 5-3.

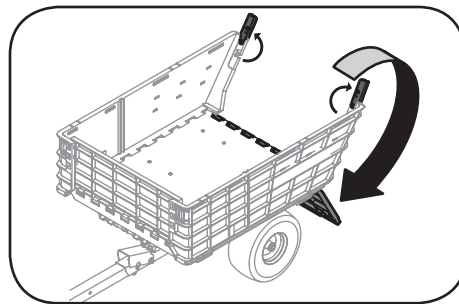


Figure 5-3

## Raising the Tailgate

Raise the tailgate and secure it into the up position by snapping the tailgate latches back into place. See Figure 5-4.

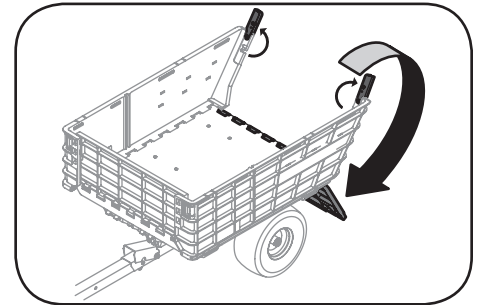


Figure 5-4

# Maintenance & Adjustments

## Adjustments

### Storing the Hauler

The hauler can be folded up for storage purposes. To prepare the hauler for storage, proceed as follows:

1. Pull up on the tailgate latches and fold the tailgate down into the bed.
2. Push the levers on the front of the hauler, under the bed floor and lower the front panel down into the bed.
3. Fold the side panels down onto the bed until they snap into the panel latches.
4. Remove the clevis pin and cotter pin securing the tongue assembly into the tongue bracket.
5. Slide the tongue assembly out of the tongue bracket.
6. Stand the hauler up on its front end. See Figure 6-1.
7. Slide the tongue assembly into the opening on the hauler support bracket as shown in Figure 6-1.
8. Secure the tongue assembly in place with the clevis pin and cotter pin as shown in the inset of Figure 6-1.

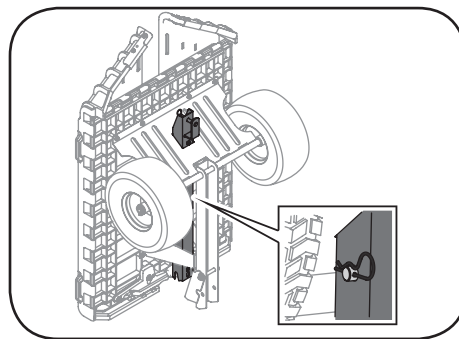


Figure 6-1

### Making a Divider for the Hauler

Using a piece of 1/2" plywood, a divider can be constructed to create two separate bins for the hauler.

The dimensions for this divider are 12" high x 32-1/2" long by 1/2" thick. Carefully cut the plywood and install it into the hauler bed as shown in Figure 6-2.

### Maintenance

1. Lubricate all the pivot points annually or as needed.
2. Grease the wheels using the grease fitting on the wheels annually or as needed. See Figure 6-3.

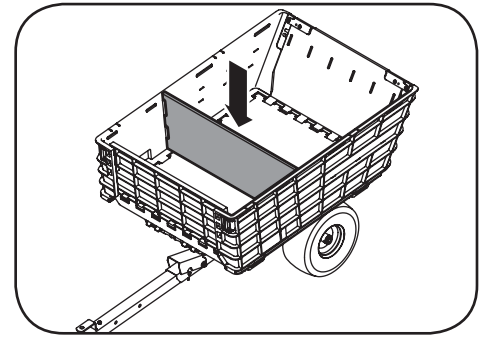


Figure 6-2

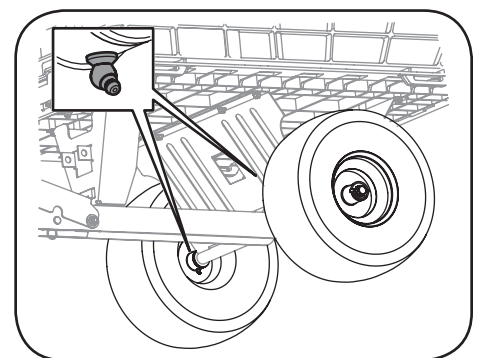
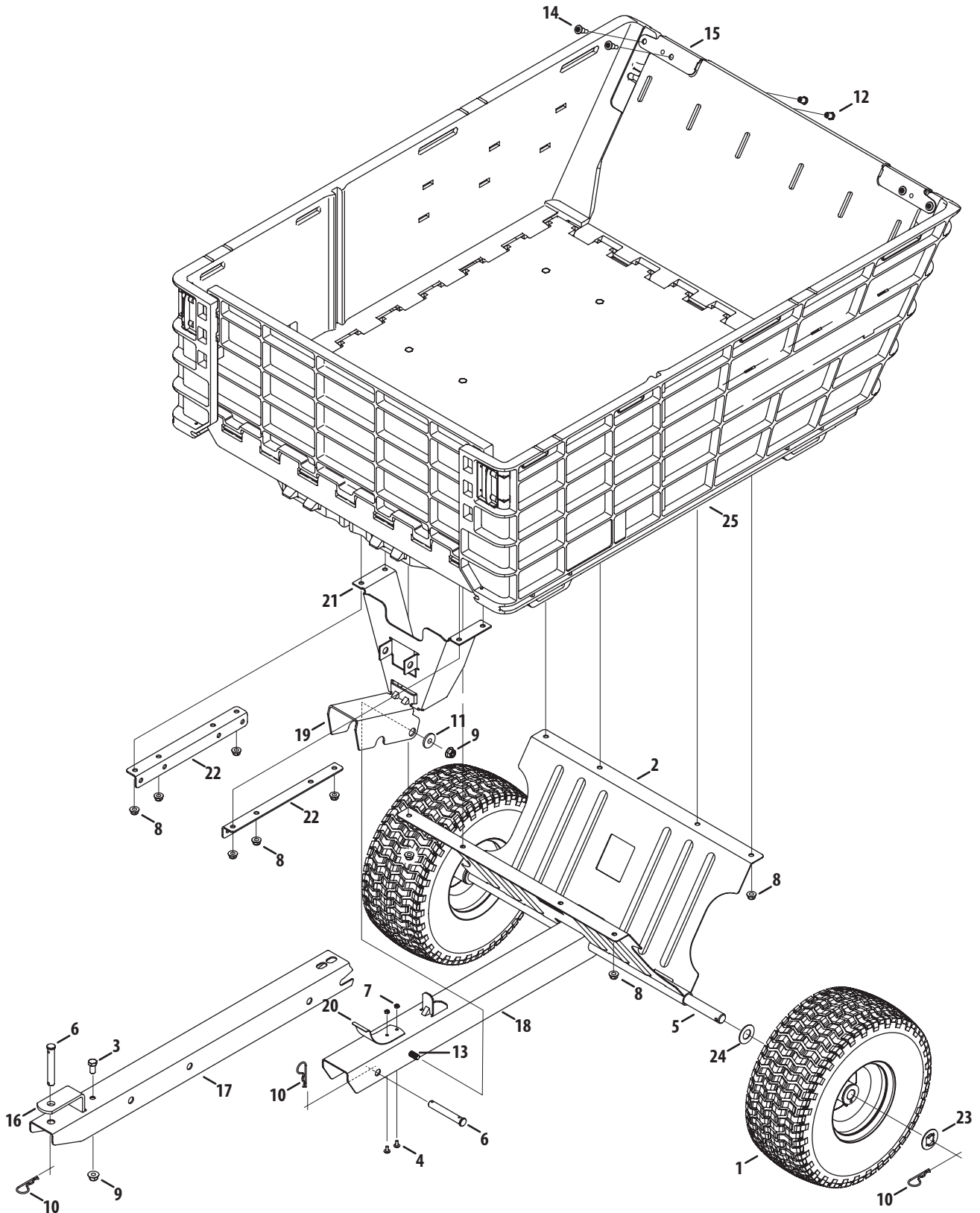


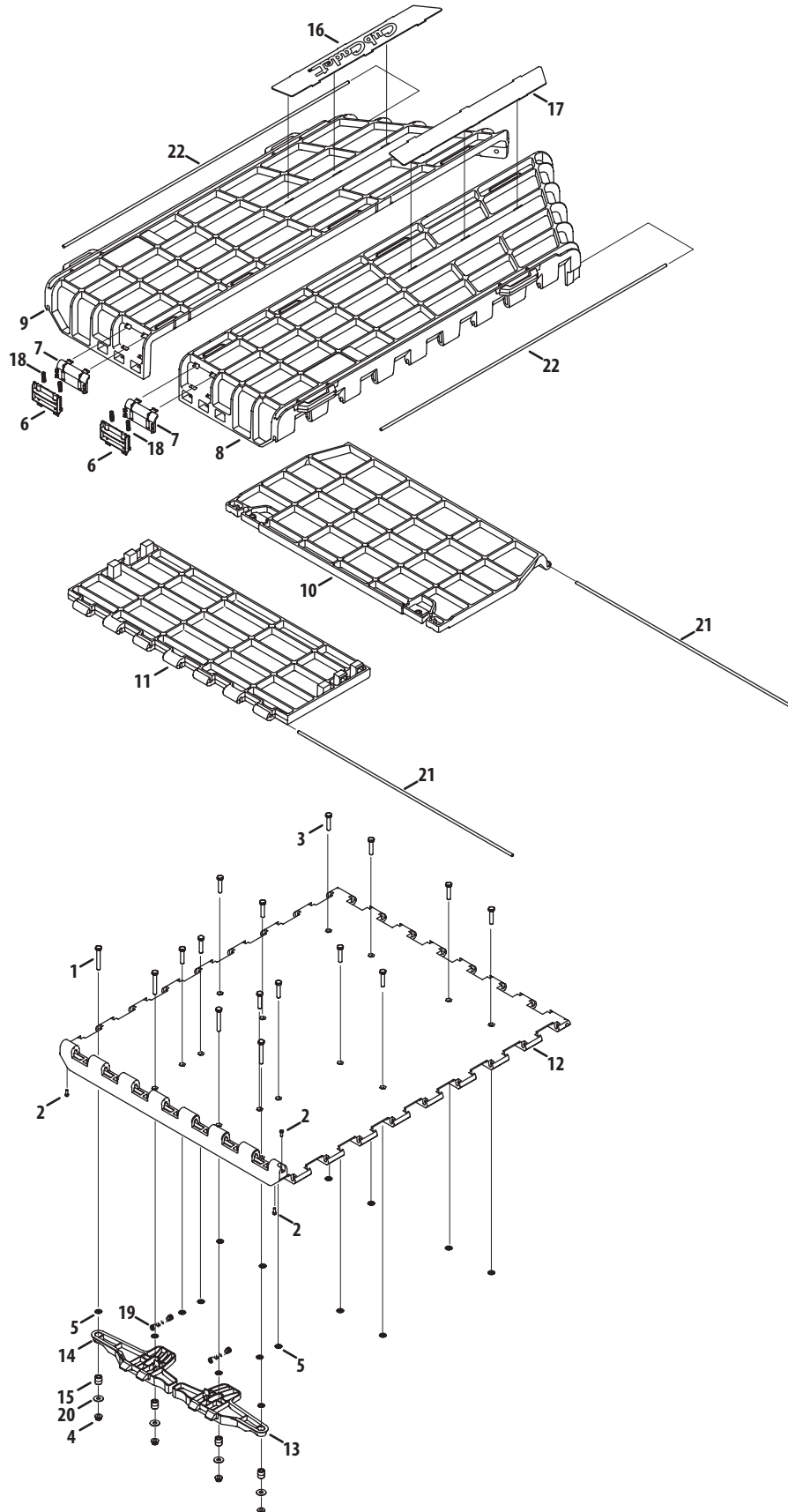
Figure 6-3



<b>Ref.</b>	<b>Part Number</b>	<b>Description</b>	<b>Description</b>
1	634-05166	Wheel Assembly, 15 x 6 x 6	Roue assemblée, 15 x 6 x 6
2	689-00389	Hauler Support Axle Bracket	Support de la remorque
3	710-0216	Hex Screw, 3/8-16 x .75	Vis à tête hexagonale, 3/8-16 x 0,75
4	710-04838	Screw, 10-24 x .393	Vis, 10-24 x 0,393
5	711-06444	Axle Shaft, .750 x 29.88	Essieu, 0,750 x 29,88
6	711-06472	Clevis Pin, .50 x 3.25	Goupille d'attelage, 0,50 x 3,25
7	712-0161	Hex Lock Nut, #10-24	Écrou autobloquant hexagonal, #10-24
8	712-04063	Flange Lock Nut, 5/16-18	Écrou autobloquant à bride, 5/16-18
9	712-04065	Flange Lock Nut, 3/8-16	Écrou autobloquant à bride, 3/8-16
10	714-3020	Cotter Pin	Goupille fendue
11	738-0347	Shoulder Spacer, .625 x .169	Entretoise à épaulement, 0,625 x 0,169
12	738-04240	Shoulder Nut, .375 x .5	Écrou à épaulement, 0,375 x 0,5
13	738-05140	Shoulder Screw, 3/8-16 x .500 x 2.875	Vis à épaulement, 3/8-16 x 0,500 x 2,875
14	738-05145	Shoulder Screw, 1/4-20 x .375 x .500	Vis à épaulement, 1/4-20 x 0,375 x 0,500
15	789-00231	Tailgate Latch	Loquet de verrouillage du hayon
16	789-00233	Tongue Hitch Bracket	Support de l'attache de remorque
17	789-00234	Tongue	Attache de remorque
18	789-00235	Fixed Tongue Bracket	Support fixe de l'attache de remorque
19	789-00237	Dump Pedal	Pédale de déchargement
20	789-00239	Pedal Release Spring	Ressort de déclenchement de la pédale
21	789-00240	Lock Bracket	Support de la pédale de déchargement
22	789-00257	Hauler Support Bracket	Support
23	736-04228A	Flat Washer, .781 x 1.590	Rondelle à bride, 0,781 x 1,590
24	736-0351	Flat Washer, .760 x 1.490 x .030	Rondelle plate, 0,760 x 1,490 x 0,060
25	See page 10-11	Bed Assembly	Benne

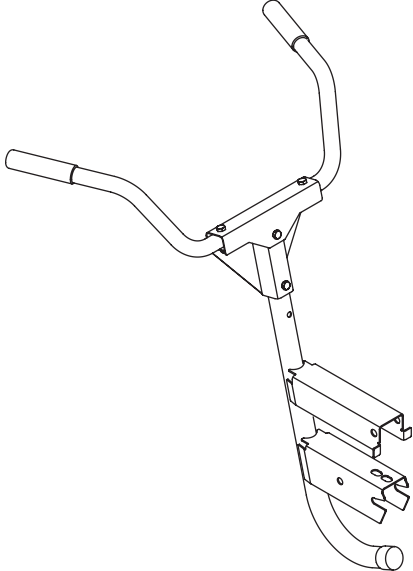
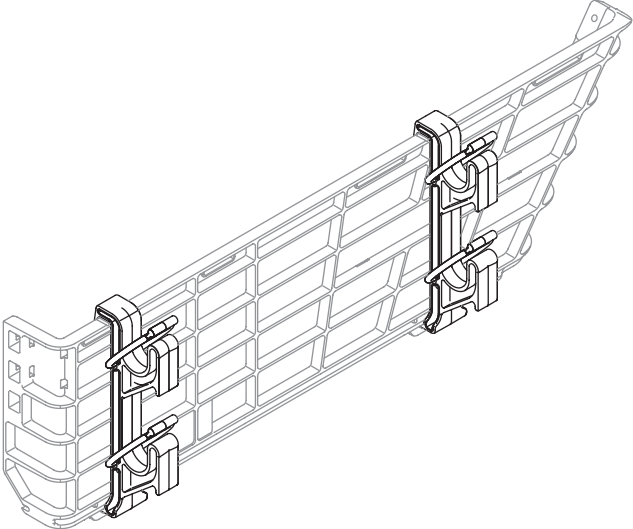



# Bed Assembly/Asamblea Cama/ Benne



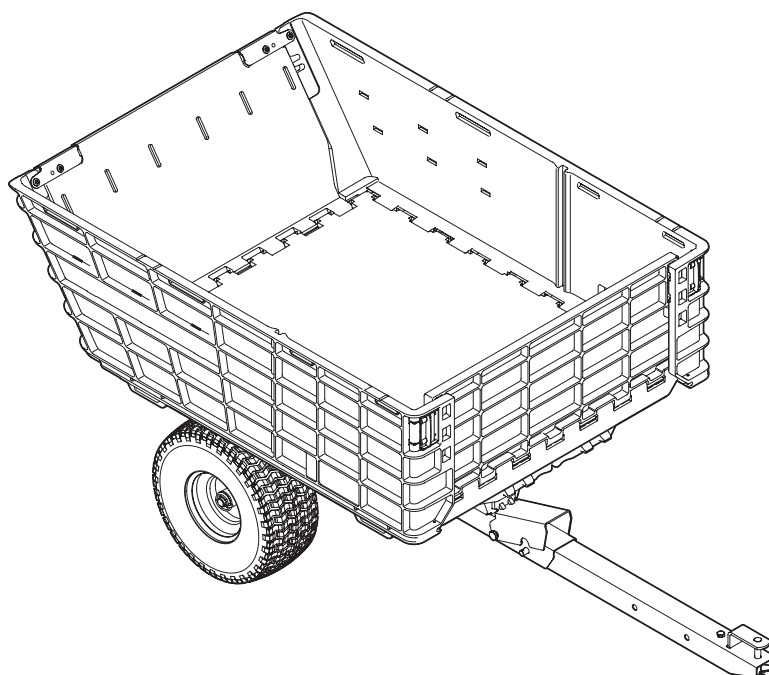
<b>Ref.</b>	<b>Part Number</b>	<b>Description</b>	<b>Description</b>
1	710-0395	Hex Screw, 5/16-18 x 2.25	Vis à tête hexagonale, 5/16-18 x 2,25
2	710-04326	Hex Washer Screw, #8-16 x .50	Vis à tête hexagonale, #8-16 x 0,50
3	710-0805	Hex Screw, 5/16-18 x 1.50	Vis à tête hexagonale, 5/16-18 x 1,50
4	712-04063	Flange Lock Nut, 5/16-18	Écrou autobloquant à bride, 5/16-18
5	726-0201	Speed Nut, .3125	Écrou rapide, 0,3125
6	731-11047	Panel Latch	Loquet de verrouillage du panneau
7	731-11048	Panel Latch Retainer	Support du loquet de verrouillage
8	731-11050	LH Side Panel	Panneau gauche
9	731-11051	RH Side Panel	Panneau droit
10	731-11052	Tailgate	Hayon
11	731-11055	Front Panel	Panneau avant
12	731-11056	Base Panel	Plancher de la benne
13	731-11058	RH Door Release Lever	Levier de déverrouillage droit
14	731-11059	LH Door Release Lever	Levier de déverrouillage gauche
15	731-11060	Lever Spacer, .32 x .63 x .64 LG	Entretoise, 0,32 x 0,63 x 0,64
16	731-11118	RH Logo Plate	Plaque droite avec logo
17	731-11119	LH Logo Plate	Plaque gauche avec logo
18	732-05329	Compression Spring, 1.00 x .313	Ressort de compression, 1,00 x 0,313
19	732-05330	Compression Spring, 2.50 x .480	Ressort de compression, 2,50 x 0,480
20	736-0159	Flat Washer, .349 x .879 x .063	Rondelle plate, 0,349 x 0,879 x 0,063
21	747-06517	Rod, .25 x 27.5	Tige, 0,25 x 27,5
22	747-06518	Rod, .250 x 36	Tige, 0,250 x 36



Part Number	Description
<p>19A40027OEM</p> 	<p>Cub Cadet Hauler Handles</p>
<p>19A40030OEM</p> 	<p>Cub Cadet Hauler Toolholders</p>
<p>HPA-20</p> 	<p>Hitch Pin</p>

# *Cub Cadet*<sup>®</sup>

## MANUAL DEL OPERADOR



### Remolque Cub Cadet 19B40026100

#### **⚠ ADVERTENCIA**

**LEA Y OBSERVE TODAS LAS NORMAS E INSTRUCCIONES DE SEGURIDAD INCLUIDAS EN ESTE MANUAL ANTES DE PONER EN FUNCIONAMIENTO ESTE EQUIPO. SI NO SIGUE ESTAS INSTRUCCIONES PUEDE PROVOCAR LESIONES PERSONALES.**

CUB CADET LLC, P.O. BOX 361131 CLEVELAND, OHIO 44136-0019

## Gracias

Gracias por comprar un remolque Cub Cadet. Se ha diseñado cuidadosamente para brindar excelente rendimiento si se opera y mantiene correctamente.

Por favor lea todo este manual antes de hacer funcionar el equipo. El manual le indica cómo configurar, operar y mantener el equipo de manera fácil y segura. Por favor asegúrese de que usted, y cualquier otra persona que haga funcionar el equipo, siga atentamente y en todo momento las medidas de seguridad recomendadas. En caso de no hacerlo podrían producirse lesiones personales o daños materiales.

Toda la información contenida en este manual hace referencia a la más reciente información de producto disponible en el momento de la impresión. Revise el manual frecuentemente para familiarizarse con el equipo, sus características y funcionamiento. Por favor tenga en cuenta que este Manual del Operador puede cubrir una gama de especificaciones para productos de varios modelos. Es posible que las características y funciones incluidas y/o ilustradas en este manual no se apliquen

a todos los modelos. Cub Cadet LLC se reserva el derecho de modificar las especificaciones de los productos, los diseños y el equipo sin previo aviso y sin generar responsabilidad por obligaciones de ningún tipo.

Si tiene algún problema o duda con respecto a este equipo, llame a su distribuidor Cub Cadet local o comuníquese directamente con nosotros. En esta página encontrará los números de teléfono, la dirección del sitio web y la dirección postal de la Atención al cliente de Cub Cadet. Queremos garantizar su entera satisfacción en todo momento.

En todo este manual, las referencias a IZQUIERDA, DERECHA, ADELANTE y ATRÁS indican esa posición del remolque desde el asiento del operador en el tractor, mirando hacia adelante.

## Índice

<i>Lista de piezas ilustradas</i> .....	8	<i>Controles y Características</i> .....	18
<i>Aditamentos y accesorios</i> .....	12	<i>Funcionamiento</i> .....	19
<i>Utilización segura</i> .....	15	<i>Mantenimiento y ajustes</i> .....	19
<i>Montaje y Configuración</i> .....	17	<i>Garantía</i> .....	31

## Registro de información de producto

Antes de configurar y hacer funcionar su equipo nuevo, por favor localice la placa de modelo en el equipo y registre la información en el espacio de la derecha. Para encontrar la placa de modelo mire en la ménsula entre las ruedas. Necesitará esta información si tiene que solicitar soporte técnico a través de nuestro sitio web, el Departamento de atención al cliente, o de un distribuidor local de servicio autorizado.

### NÚMERO DE MODELO

--	--	--	--	--	--	--	--	--	--	--

### NÚMERO DE SERIE

--	--	--	--	--	--	--	--	--	--	--

## Registro de productos y atención al cliente

Por favor registre su producto en nuestro sitio web, [www.cubcadet.com](http://www.cubcadet.com).

En caso de tener problemas para montar este producto o de tener dudas con respecto a los controles, el funcionamiento o mantenimiento de este equipo, puede solicitar la ayuda de expertos. Seleccione una de las opciones siguientes:

- ◇ Visite nuestro sitio web en [www.cubcadet.com](http://www.cubcadet.com)
- ◇ Llame a un representante de Asistencia al Cliente al (800) 965-4CUB
- ◇ Localice a su distribuidor Cub Cadet más cercano llamando al (877) 282-8684
- ◇ Escriba a Cub Cadet LLC • P.O. Box 361131 • Cleveland, OH • 44136-0019

El remolque se ha diseñado para actividades de remolque típicamente asociadas con el mantenimiento de césped y jardines residenciales junto con un vehículo de remolque adecuado con gancho compatible.

## Funcionamiento general

1. Lea, entienda y cumpla todas las instrucciones incluidas en el equipo y en el(los) manual(es) antes de intentar realizar el montaje de la unidad y utilizarla. Guarde este manual en un lugar seguro para consultas futuras y periódicas, así como para solicitar repuestos.
2. Nunca traslade pasajeros en el remolque.
3. Nunca permita que niños menores de 14 años utilicen el vehículo de remolque o el remolque. Los niños de 14 años en adelante deben leer y entender las instrucciones de funcionamiento y las normas de seguridad contenidas en este manual, en el remolque y en el manual del vehículo de remolque y deben ser entrenados y supervisados por un adulto.
4. Nunca permita que los adultos utilicen el vehículo de remolque sin recibir antes la instrucción apropiada.
5. Compruebe el funcionamiento de los frenos del vehículo de remolque antes de usarlo con el remolque. Ajuste o repare los frenos según las instrucciones del fabricante si es necesario.
6. Mantenga a los observadores, niños y mascotas alejados del vehículo de remolque y del remolque cuando está en funcionamiento.
7. Utilice zapatos de trabajo resistentes, de suela fuerte, así como pantalones y camisas ajustados. Evite usar vestimenta floja y joyas que podrían quedar atrapadas en las partes móviles del remolque. Nunca haga funcionar este remolque descalzo o con sandalias.
8. Su remolque no es un juguete. Tenga extrema precaución en todo momento. El propósito del remolque es remolcar material. No lo utilice para ningún otro fin.
9. Asegúrese de mantener el control del vehículo de remolque y del remolque en todo momento. No se apure. Tómese su tiempo. Cuando dude acerca del vehículo de remolque y del remolque o de sus alrededores, deténgase y tómese el tiempo necesario para inspeccionar. Asegúrese de que está en condiciones de continuar de forma segura.
10. Tenga cuidado con el tráfico cuando opere cerca de rutas o al cruzarlas.
11. Vaya despacio. El remolque no está diseñado para ser usado en la vía pública o en autopista.
12. No utilice el remolque bajo la influencia de alcohol o drogas.

13. Úselo solamente con luz natural o con buena luz artificial.
14. Siempre mire hacia abajo y hacia atrás antes de desplazarse hacia atrás y mientras retrocede con el vehículo de remolque y el remolque para evitar un accidente.
15. Reduzca la velocidad antes de girar. Accione el vehículo de remolque de forma pareja. Evite la operación errática y la velocidad excesiva particularmente cuando lleva una carga pesada o en pendientes.
16. Nunca deje el carro cargado sin vigilancia.
17. Utilice únicamente accesorios y acoples para su remolque que sean aprobados por el fabricante del remolque. Lea, comprenda y siga todas las instrucciones incluidas con el accesorio o complemento aprobado.
18. Si se presentan situaciones que no están previstas en este manual, tenga cuidado y use el sentido común. Póngase en contacto con su representante de servicio al cliente para obtener ayuda.

## Seguridad al remolcar, cargar y descargar

1. No supere la capacidad de carga de 1000 libras del remolque ni los límites del vehículo de remolque.
2. Si se supera la capacidad de carga establecida se puede perder la tracción necesaria para reducir la velocidad y detenerse.
3. Reduzca el peso remolcado cuando opera en pendientes.
4. Utilice este remolque con vehículos de remolque diseñados con gancho de remolque compatible para este equipo.
5. No permita el traslado de personas en este remolque.
6. Asegúrese de que el sujetador de descarga esté bien trabado antes de cargar la unidad o de utilizarla.
7. Esparza la carga de forma pareja en la plataforma. Sujete la carga para evitar el movimiento. Evite cargas descompensadas que pudieran hacer que el remolque se tumbe.
8. Vaya despacio. Evite arrancar y detener el equipo de repente, ya que eso podría hacer que la carga se desplace y usted pierda el control.
9. Use el freno de mano del vehículo de remolque mientras carga y descarga este remolque. Cuando baja la plataforma de descarga, mantenga las manos y otras partes del cuerpo fuera del área entre la plataforma y el bastidor. Mantenga alejados a los observadores.

10. Descargue la plataforma de descarga antes de desconectar el remolque del vehículo de remolque. Mantenga las partes del cuerpo lejos del área debajo de la lengüeta de remolque.

## Funcionamiento en pendiente

Las pendientes son un factor importante relacionado con accidentes por pérdida de control y vuelcos que pueden producir lesiones graves o la muerte. Todas las pendientes requieren mayor precaución. Si no puede retroceder por la pendiente o si no se siente seguro, no lo haga.

No remolque cargas pesadas en pendientes superiores a 5 grados. Cuando se desplaza cuesta abajo, el peso adicional tiende a empujar el vehículo de remolque y puede hacerle perder el control (por ejemplo, el vehículo de remolque se puede acelerar, la capacidad de conducir y frenar se reduce, el remolque puede acodillarse y hacer que el vehículo de remolque vuelque).

Para su seguridad, use el indicador de pendientes que se adjunta a este manual para medir la pendiente antes de operar el remolque en una zona inclinada. Si la pendiente es de más de 5°, como se muestra en el medidor, no haga funcionar el remolque con carga pesada en ese sector o podría causar lesiones graves.

### Haga lo siguiente:

1. Opere en las pendientes hacia arriba y hacia abajo, no de manera transversal. Tenga mucho cuidado al cambiar de dirección en una pendiente.
2. Reduzca la velocidad, especialmente al desplazarse cuesta abajo, para evitar la pérdida de control.
3. Esté atento a los hoyos, surcos, baches, rocas u otros objetos ocultos que podrían hacer que el remolque vuelque.
4. Vaya despacio. Elija una velocidad suficientemente baja del vehículo de remolque de manera que no tenga que detenerse ni realizar cambios mientras se desplaza en la pendiente. Los neumáticos pueden perder tracción en las pendientes aun cuando los frenos funcionen correctamente. Siempre mantenga el vehículo de remolque en cambio mientras desciende una pendiente para poder frenar con el motor.
5. Siga las recomendaciones del fabricante del vehículo de remolque para las operaciones de remolque. No supere las recomendaciones del remolque independientemente de la capacidad del vehículo de remolque.

6. Todos los movimientos en las pendientes deben ser lentos y graduales. No haga cambios bruscos de velocidad o dirección. La aceleración o el frenado rápido podrían causar la inestabilidad del vehículo de remolque, del remolque y de la carga, lo cual podría provocar lesiones graves.
7. Evite arrancar y detenerse cuando está en una pendiente.

**No haga lo siguiente:**

1. No gire en pendiente a menos que sea necesario; si lo hace, gire lenta y gradualmente cuesta abajo, si es posible.
2. No se desplace cerca de caídas, zanjas o terraplenes. El vehículo de remolque y el remolque pueden volcarse repentinamente si una de las ruedas pasa el borde de un acantilado o zanja o si se desmorona un borde.
3. No utilice el vehículo de remolque y este remolque en pendientes empinadas.
4. No utilice el vehículo de remolque y el remolque en pasto mojado o superficies de tierra blanda. La falta de tracción puede hacer que se deslice.
5. No cambie a punto muerto para bajar por inercia. El exceso de velocidad puede hacer que el operador pierda el control del vehículo de remolque y del remolque y que se produzcan lesiones graves o la muerte.

6. No remolque un remolque cargado en pendientes superiores a 5 grados. Cuando se desplace cuesta abajo, el peso adicional tiende a empujar el vehículo de remolque y puede hacerle perder el control (por ejemplo, el vehículo de remolque se puede acelerar, la capacidad de conducir y frenar se reduce, el acople puede acodillarse y hacer que el vehículo de remolque vuelque).
7. No haga cambios bruscos de velocidad o dirección.




**Niños**

1. Pueden ocurrir accidentes trágicos si el operador no está atento a la presencia de niños. Los niños con frecuencia se sienten atraídos por el vehículo de remolque y el remolque. No entienden los riesgos ni los peligros. Nunca suponga que los niños permanecerán en el lugar donde los vio por última vez.
  - a. Mantenga a los niños fuera del área de operación y bajo estricta vigilancia de un adulto responsable además del operador.
  - b. Esté alerta y apague el vehículo de remolque si un niño ingresa al área.
  - c. Antes de moverse hacia atrás y mientras lo hace, mire hacia atrás y abajo para ver que no haya niños.

- d. No traslade nunca niños en el vehículo de remolque o el remolque. Podrían caerse y resultar gravemente heridos o interferir con la operación segura del remolque.
  - e. Tenga mucho cuidado al aproximarse a las esquinas ciegas, puertas, arbustos, árboles u otros objetos que puedan obstaculizarle la visión de un niño que pudiese correr al encuentro del vehículo de remolque o del remolque.
  - f. Mantenga a los niños alejados de los motores en marcha o calientes. Pueden sufrir quemaduras con un silenciador caliente.
  - g. Retire la llave cuando el vehículo de remolque quede sin vigilancia para evitar el funcionamiento no autorizado.
2. Nunca permita que niños menores de 14 años utilicen el vehículo de remolque o el remolque. Los niños de 14 años en adelante deben leer y entender las instrucciones de funcionamiento y las normas de seguridad contenidas en este manual, en el remolque y en el manual del vehículo de remolque y deben ser entrenados y supervisados por un adulto.

**Símbolos de seguridad**

En esta página se presentan y describen los símbolos de seguridad que pueden aparecer en este producto. Lea, entienda y siga todas las instrucciones incluidas en la máquina antes de intentar armarla y hacerla funcionar.

Símbolo	Descripción
	LEA LOS MANUALES DEL OPERADOR Lea, entienda y siga todas las instrucciones incluidas en los manuales antes de intentar armarla y hacerla funcionar.
	PELIGRO - No traslade niños ni pasajeros.
	La presencia de este símbolo indica que se trata de instrucciones de seguridad importantes que debe respetar para evitar poner en riesgo su seguridad personal y/o material y la de los demás. Lea y cumpla todas las instrucciones de este manual antes de intentar operar esta máquina. Si no respeta estas instrucciones puede provocar lesiones personales. Cuando vea este símbolo, Tenga en cuenta la advertencia.



**¡ADVERTENCIA!** Su responsabilidad—Limite el uso de este equipo motorizado a las personas que lean, comprendan y respeten las advertencias e instrucciones que figuran en este manual y en el equipo.

**¡GUARDE ESTAS INSTRUCCIONES!**

## Contenido de la caja de cartón

- Un conjunto de remolque
- Un conjunto de lengüeta
- Dos conjuntos de ruedas
- Un paquete de elementos de ferretería
- Un Manual del operador

**NOTA:** Todas las referencias a IZQUIERDA, DERECHA, ADELANTE y ATRÁS indican la posición relativa del remolque desde el asiento del operador en el tractor, mirando hacia adelante.

## Paquete de elementos de ferretería

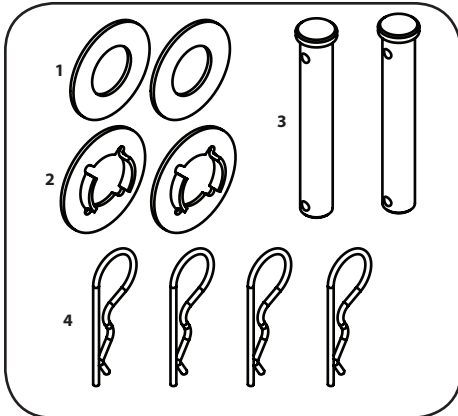


Figura 3-1

El contenido del paquete de elementos de ferretería se enumera abajo y se hace referencia al mismo en la Figura 3-1.

1. Dos (2) arandelas planas, .760 x 1.490 x .060 (736-0351)
2. Dos (2) arandelas con brida, .781 x 1.590 (736-04228A)
3. Dos (2) pasadores de horquilla, .50 x 3.25 (711-06472)
4. Cuatro (4) chavetas (714-3020)

## Preparación del remolque

1. Desembale con cuidado el contenido de la caja y desate y corte cualquier precinto que sujete el contenido dentro de la caja.
2. Con cuidado coloque el remolque en posición vertical tal como se muestra en la Figura 3-2.

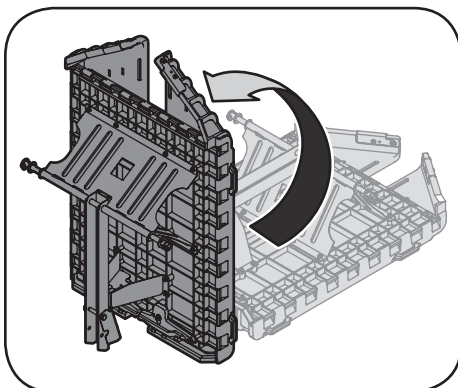


Figura 3-2

3. Antes de instalar las ruedas, los ejes y el interior de los bordes deben ser engrasados. Aplicar un poco de grasa (no suministrado) a la parte expuesta del eje y el eje capa por completo. Aplique una pequeña cantidad de grasa (no suministrado) en el cubo de llanta.
4. Deslice la arandela plana interior del paquete de elementos de ferretería, el neumático y la arandela con brida exterior del paquete de elementos de ferretería en el eje, tal como se muestra en la Figura 3-3. Asegúrese de que el vástago de la válvula de la llanta del neumático esté mirando hacia afuera.

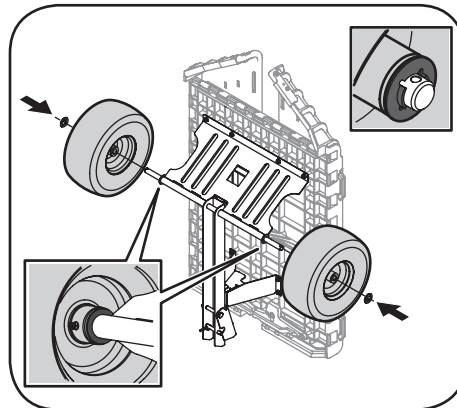


Figura 3-3

5. Instale las chavetas del paquete de hardware a través de los agujeros en los ejes para asegurar los neumáticos en su lugar. Consulte la Figura 3-4.

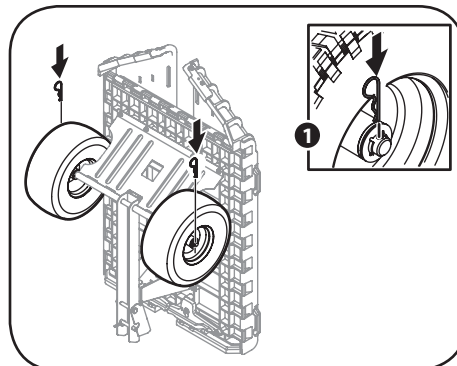


Figura 3-4

6. Con cuidado coloque el remolque sobre sus ruedas.
7. Ubique el sujetador del panel en la parte delantera del remolque. Presione el sujetador del panel hacia adentro y levante los lados de la plataforma del remolque. Consulte la Figura 3-5.

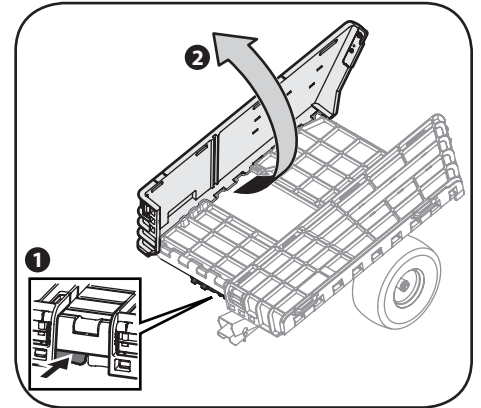


Figura 3-5

8. Repita el paso 7 del otro lado de la plataforma.
9. Con los dos lados ahora levantados, eleve el panel delantero e inserte el panel delantero en los paneles laterales, tire hacia afuera en las lengüetas hasta que encajen en su lugar. Consulte la Figura 3-6.

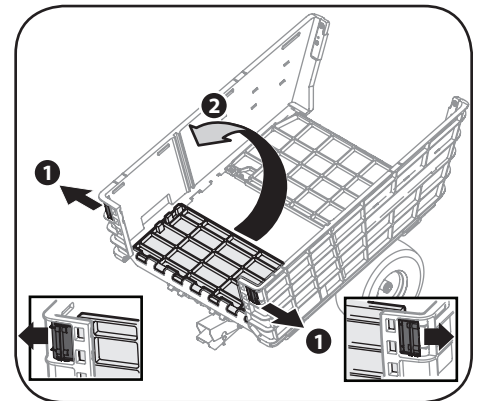


Figura 3-6

10. Levante los sujetadores de la puerta trasera y luego eleve la puerta trasera en su lugar. Consulte la Figura 3-7.

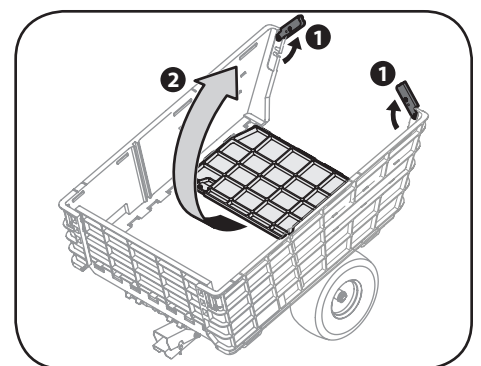
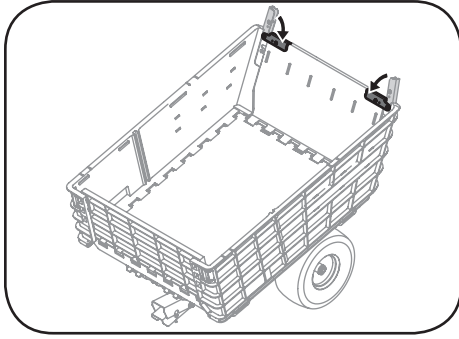


Figura 3-7

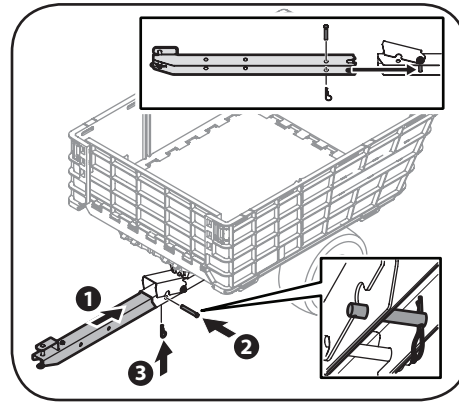


11. Cuando la puerta trasera esté en su lugar, fíjela presionando los sujetadores de la puerta trasera en la misma. Consulte la Figura 3-8.



**Figura 3-8**

12. Retire el pasador de horquilla y el pasador del paquete de hardware.



**Figura 3-9**

13. Deslice el conjunto de lengüeta en la ménsula de lengüeta tal como se muestra en la Figura 3-9. Alinee el orificio que se encuentra más atrás con el orificio de la ménsula de lengüeta e inserte el pasador de chaveta a través del conjunto de lengüeta y la ménsula de lengüeta. Fije el pasador de horquilla con el pasador de chaveta tal como se muestra en la Figura 3-9.

14. Asegúrese de que el pasador de horquilla quede instalado en el interior del conjunto de lengüeta y la ménsula de lengüeta tal como se muestra en el recuadro de la Figura 3-9.

### **Control de la presión de los neumáticos**



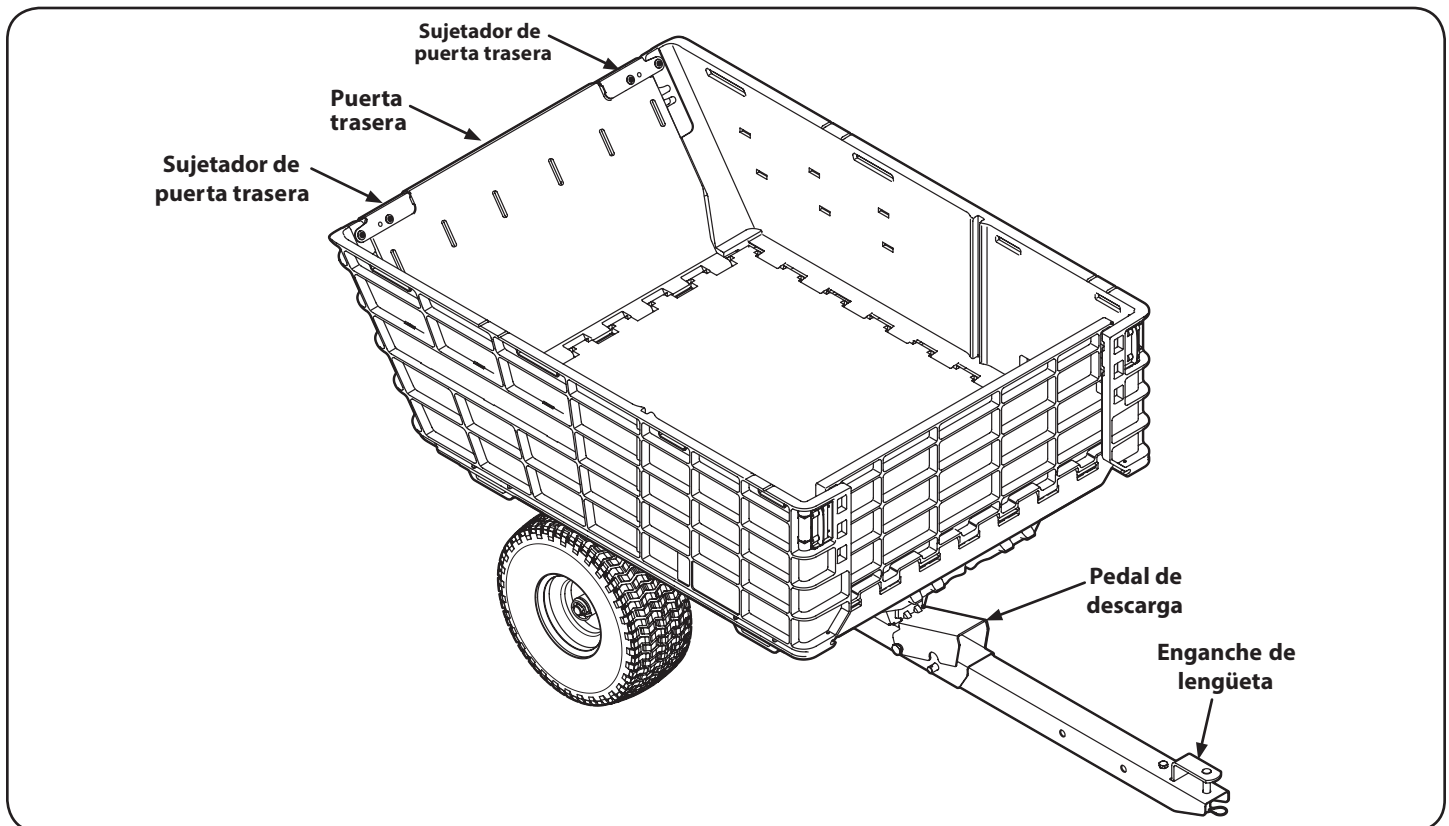
¡Advertencia! Se debe mantener una presión uniforme para todos los neumáticos en todo momento. Consulte cuál es la presión adecuada en los laterales de los neumáticos.

Tal vez los neumáticos del remolque hayan sido inflados en exceso para el envío del producto. Puede ser necesario ajustar la presión de los neumáticos antes de usar el remolque. Consulte en los laterales de los neumáticos la presión máxima en psi.

**NOTA:** La presión recomendada para los neumáticos es 14 p.s.i.

## Controles y Características

# 4



**NOTA:** Las referencias a IZQUIERDA, DERECHA, ADELANTE y ATRÁS indican esa posición del remolque desde el asiento del operador en el tractor, mirando hacia adelante.

### **Puerta trasera**

La puerta trasera está ubicada en la parte trasera del remolque y se puede abrir para la carga y se traba en su lugar con el uso de dos sujetadores de puerta trasera.

### **Sujetadores de puerta trasera**

Los sujetadores de puerta trasera están ubicados en la parte trasera del remolque y se usan para asegurar la puerta trasera.

### **Enganche de lengüeta**

El enganche de lengüeta está ubicado delante de la lengüeta y se utiliza para enganchar el remolque al tractor.

### **Pedal de descarga**

El pedal de descarga está ubicado en la lengüeta y se puede utilizar para descargar el contenido del remolque.



## Acouple del remolque a su tractor

1. Retire el pasador de horquilla y el pasador del paquete de hardware.

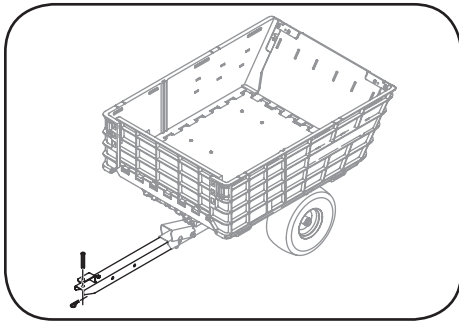


Figura 5-1

2. Con cuidado deslice el enganche de lengüeta en la ménsula de enganche que está en la parte trasera de su tractor y fíjelo en su lugar con el elemento de ferretería retirado en el paso 1. Vea la Figura 5-1.

## Descarga del remolque

1. El contenido del remolque se puede descargar presionando hacia abajo sobre el pedal de descarga de la lengüeta. Consulte la Figura 5-2.
2. Levante la parte trasera de la plataforma del

remolque y empuje hacia abajo en la parte delantera de la plataforma hasta que la ménsula de la plataforma haga clic en su lugar.

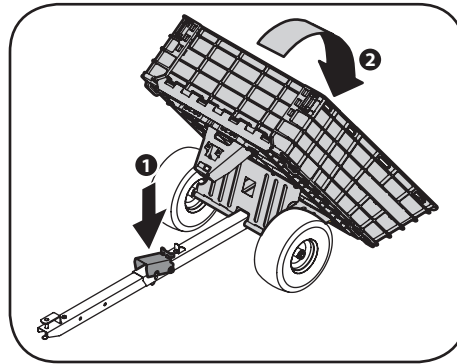


Figura 5-2

## Bajar la puerta trasera

Tire hacia arriba sobre los sujetadores de la puerta trasera para bajar la puerta trasera. Consulte la Figura 5-3.

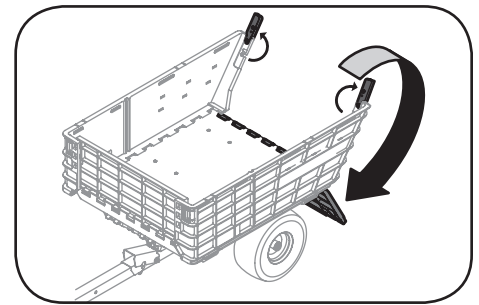


Figura 5-3

## Levantar la puerta trasera

Levante la puerta trasera y fíjela en posición arriba presionando los sujetadores de la puerta trasera otra vez en su lugar. Consulte la Figura 5-4.

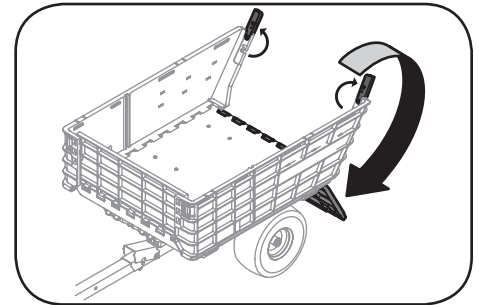


Figura 5-4

# Mantenimiento y Ajustes

## Ajustes

### Guardar el remolque

El remolque se puede plegar con el fin de guardarlo. Para preparar el remolque para guardarlo, realice lo siguiente:

1. Tire hacia arriba de los sujetadores de la puerta trasera y pliegue la puerta trasera en la plataforma.
2. Empuje las palancas de la parte delantera del remolque, debajo del piso de la plataforma y baje el panel delantero en la plataforma.
3. Pliegue los paneles laterales hacia abajo sobre la plataforma hasta que encajen a presión en los sujetadores de panel.
4. Retire el pasador de horquilla y el pasador de chaveta que fijan el conjunto de lengüeta en la ménsula de lengüeta.
5. Deslice el conjunto de lengüeta fuera de la ménsula de lengüeta.
6. Coloque el remolque en posición vertical sobre su extremo delantero. Consulte la Figura 6-1.
7. Deslice el conjunto de lengüeta en la abertura de la ménsula de soporte del remolque tal como se muestra en la Figura 6-1.
8. Fije el conjunto de lengüeta en su lugar con el pasador de horquilla y el pasador de chaveta que se muestran en el recuadro de la Figura 6-1.

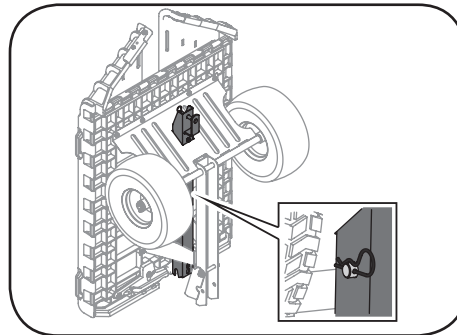


Figura 6-1

## Hacer un divisor para el remolque

Con un trozo de madera contrachapada de 1/2" se puede construir un divisor para crear dos cubos separados para el remolque.

Las dimensiones de este divisor son 12" de alto x 32-1/2" de largo por 1/2" de espesor. Con cuidado corte la madera contrachapada e instale la misma en la plataforma del remolque tal como se muestra en la Figura 6-2.

## Mantenimiento

1. Lubrique todos los puntos de pivote de forma anual o cuando sea necesario.

2. Engrase las ruedas usando el dispositivo de engrasado de las ruedas de forma anual o cuando sea necesario. Consulte la Figura 6-3.

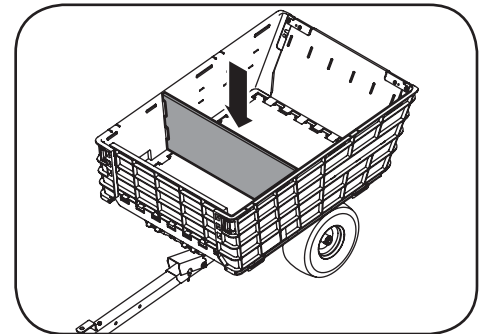


Figura 6-2

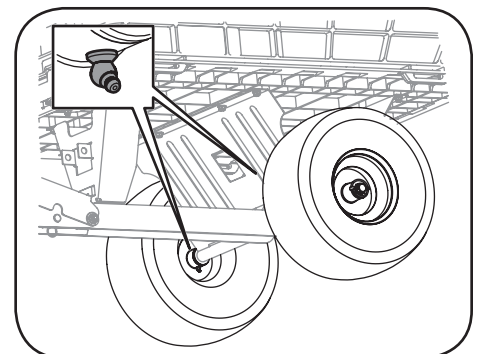
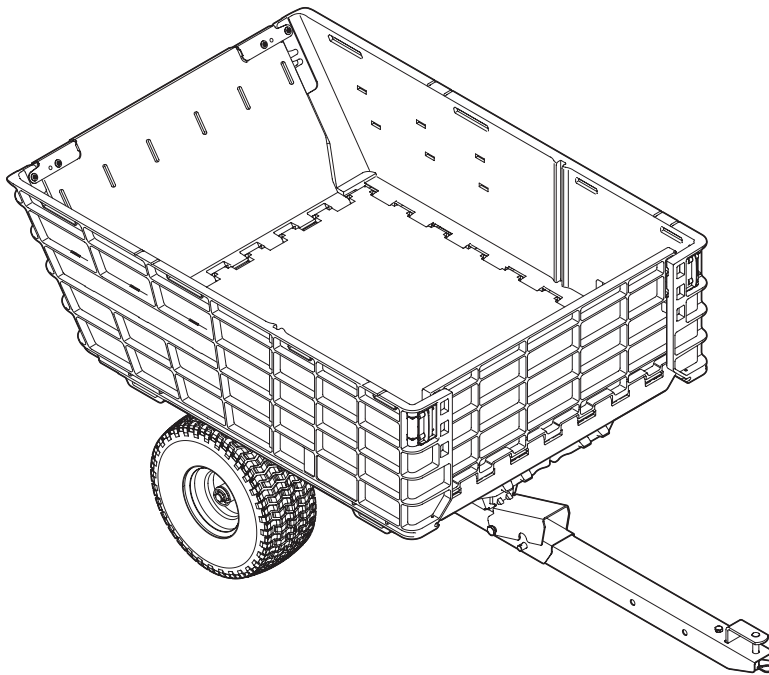


Figura 6-3

# *Cub Cadet*<sup>®</sup>

## MANUEL DE L'UTILISATEUR



### Remorque Cub Cadet 19B40026100

#### **⚠ AVERTISSEMENT**

**LISEZ ATTENTIVEMENT LES CONSIGNES DE SÉCURITÉ ET LES INSTRUCTIONS  
DE CE MANUEL AVANT D'UTILISER VOTRE ÉQUIPEMENT.  
LE NON-RESPECT DE CES INSTRUCTIONS PEUT ENTRAÎNER DES BLESSURES CORPORELLES.**

CUB CADET LLC, P.O. BOX 361131 CLEVELAND, OHIO 44136-0019

## Merci

Nous vous remercions d'avoir acheté une remorque Cub Cadet. Cet équipement a été soigneusement conçu pour vous offrir une performance remarquable lorsqu'il est correctement utilisé et entretenu.

Veillez lire tout le manuel avant d'utiliser l'équipement. Ce manuel vous indique comment installer, utiliser et entretenir l'équipement facilement et sans danger. Veuillez vous assurer que toute personne qui utilisera l'équipement suivra attentivement et en tout temps les consignes de sécurité énoncées. Le non-respect de ces consignes peut entraîner des blessures corporelles ou des dommages matériels.

Toute l'information contenue dans ce manuel s'appuie sur l'information la plus récente disponible au moment de la publication de ce manuel. Consultez souvent ce manuel afin de vous familiariser avec l'équipement, ses caractéristiques et son fonctionnement. Veuillez noter que ce manuel peut mentionner une vaste gamme de spécifications techniques concernant différents modèles.

Les caractéristiques et les particularités qui sont décrites ou illustrées dans ce manuel peuvent ne pas s'appliquer à tous les modèles. Cub Cadet LLC se réserve le droit de modifier les spécifications du produit, la conception ou l'équipement sans préavis et sans obligation.

En cas de problèmes ou de questions concernant cet équipement, adressez-vous au concessionnaire Cub Cadet de votre localité ou appelez-nous directement. Les numéros de téléphone du service à la clientèle, l'adresse Internet et l'adresse postale se trouvent sur cette page. Nous désirons assurer votre entière satisfaction en tout temps.

Dans ce manuel, toutes les mentions de GAUCHE, DROITE, AVANT et ARRIÈRE ne s'entendent qu'à partir du poste de conduite du véhicule de remorquage, soit un tracteur de pelouse et de jardin.

## Table des matières

<i>Liste de pièces illustrée</i> .....	8	<i>Utilisation</i> .....	26
<i>Consignes de sécurité importantes</i> .....	22	<i>Entretien et réglages</i> .....	26
<i>Assemblage et montage</i> .....	24	<i>Accessoires</i> .....	27
<i>Commandes et caractéristiques</i> .....	25	<i>Garantie</i> .....	32

## Identification du produit

Avant de préparer et d'utiliser votre nouvel équipement, veuillez localiser la plaque signalétique et reporter les renseignements dans la section à droite. La plaque signalétique se trouve sur le support entre les roues de la remorque. Ces renseignements sont nécessaires lorsque vous avez besoin d'aide technique soit par l'intermédiaire de notre site Web, soit auprès de notre service à la clientèle ou du centre de service agréé de votre région.

## NUMÉRO DE MODÈLE

--	--	--	--	--	--	--	--	--	--	--

## NUMÉRO DE SÉRIE

--	--	--	--	--	--	--	--	--	--	--

## Enregistrement du produit et service à la clientèle

Veillez enregistrer votre produit sur notre site Web, [www.cubcadet.com](http://www.cubcadet.com).

Nos techniciens peuvent vous aider si vous éprouvez de la difficulté à assembler votre équipement ou si vous avez des questions concernant ses commandes, son fonctionnement ou son entretien. Choisissez parmi les options ci-dessous :

- ◇ Visitez notre site Web, [www.cubcadet.com](http://www.cubcadet.com)
- ◇ Contactez un représentant du service à la clientèle au 1 800 668-1238
- ◇ Écrivez-nous à l'adresse suivante : MTD Products Limited • Kitchener • ON • N2G 4J1

La remorque Cub Cadet a été spécialement conçue pour l'entretien résidentiel de pelouses et de jardins et doit être utilisée avec un véhicule de remorquage approprié, soit un tracteur de pelouse et de jardin, doté d'une attache de remorque compatible.

## Utilisation générale

1. Veuillez lire, comprendre et suivre toutes les instructions figurant sur l'équipement et dans le(s) manuel(s) avant d'assembler et d'utiliser l'équipement. Conservez ce manuel en lieu sûr pour toute consultation ultérieure ainsi que pour toute commande de pièces de rechange.
2. Ne transportez jamais de passagers sur la remorque ou dans la remorque.
3. Ne permettez jamais aux enfants de moins de 14 ans d'utiliser la remorque ou de conduire le véhicule de remorquage. Les enfants de 14 ans et plus doivent lire et comprendre les instructions et les consignes de sécurité énoncées dans ce manuel et dans le manuel du véhicule de remorquage et ceux figurant sur l'équipement. Ils doivent être formés et supervisés par un adulte.
4. Toute personne qui utilise la remorque ou le véhicule de remorquage doit comprendre et suivre toutes les instructions.
5. Vérifiez que les freins du véhicule de remorquage fonctionnent bien avant d'utiliser la remorque. Ajustez les freins ou faites l'entretien nécessaire selon les instructions du fabricant.
6. Gardez les spectateurs, les enfants et les animaux éloignés du véhicule de remorquage et de la remorque.
7. Portez des chaussures robustes à semelles épaisses et des vêtements bien ajustés. Ne portez pas de vêtements amples ou des bijoux qui risquent de se prendre dans les pièces en mouvement de la remorque. N'utilisez jamais la remorque pieds nus ou en sandales.
8. Cet équipement n'est pas un jouet. Soyez très prudent en tout temps. La remorque a été conçue pour remorquer des charges. Ne l'utilisez pas à d'autres fins.
9. Assurez-vous d'avoir le contrôle du véhicule de remorquage et de la remorque en tout temps. Prenez votre temps. Si vous avez des doutes quant à l'utilisation du véhicule de remorquage ou de la remorque, arrêtez le véhicule et évaluez la situation. Procédez en toute sécurité.
10. Faites attention à la circulation à proximité d'une route.
11. Conduisez lentement. Cette remorque ne doit pas être utilisée sur une voie publique (route, autoroute, etc.).
12. N'utilisez pas cet équipement après avoir consommé de l'alcool ou pris des médicaments.

13. Travaillez en plein jour ou avec un éclairage artificiel adéquat.
14. Regardez toujours au sol et derrière vous avant de reculer et en reculant pour éviter tout accident.
15. Ralentissez avant d'effectuer un virage. Conduisez doucement le véhicule de remorquage. Évitez les manœuvres brusques et l'excès de vitesse, surtout lorsque vous remorquez des charges lourdes ou lorsque vous conduisez sur une pente.
16. Ne laissez jamais une remorque chargée sans surveillance.
17. N'utilisez que des accessoires approuvés par le fabricant de la remorque. Veuillez lire, comprendre et suivre toutes les instructions fournies avec l'accessoire approuvé.
18. En cas de situations qui ne sont pas mentionnées dans ce manuel, soyez prudent et faites preuve de bon sens. Pour obtenir de l'aide, communiquez avec notre service à la clientèle.

## Remorquage, chargement et déchargement

1. N'excédez pas la capacité de charge maximale de la remorque, soit 1000 livres, ni la capacité de charge maximale du véhicule de remorquage.
2. Les charges excessivement lourdes peuvent modifier la traction et la capacité de freinage du véhicule.
3. Diminuez la charge si vous utilisez la remorque sur une pente.
4. Utilisez la remorque avec un véhicule de remorquage doté d'une attache de remorque compatible.
5. Ne transportez jamais de passagers sur la remorque ou dans la remorque.
6. Assurez-vous que la pédale de déchargement est bien verrouillée avant d'utiliser la remorque.
7. Répartissez la charge uniformément dans la remorque. Arrimez la charge pour empêcher tout mouvement. Évitez de transporter des charges lourdes qui peuvent faire basculer la remorque.
8. Conduisez lentement. Évitez les démarrages et les arrêts brusques car cela peut faire déplacer la charge et entraîner la perte de contrôle du véhicule.
9. Utilisez le frein de stationnement du véhicule de remorquage lorsque vous chargez ou déchargez la remorque. Lorsque vous abaissez la benne, gardez vos mains et toute autre partie du corps éloignées de la benne et du châssis. Gardez les personnes éloignées de

l'équipement.

10. Déchargez la benne avant de détacher la remorque du véhicule de remorquage. Ne placez pas votre pied ou tout autre partie du corps sous l'attache de remorque.

## Utilisation sur une pente

Les pertes de contrôle et les renversements se produisent souvent sur des pentes et peuvent causer de graves blessures, voire la mort. Travailler sur un terrain en pente demande des précautions supplémentaires. Si vous ne pouvez pas reculer sur la pente ou si vous ne vous sentez pas à l'aise de la faire, n'y travaillez pas.

Ne remorquez pas de charges lourdes sur des pentes supérieures à 5°. Lorsque vous descendez une pente, le poids supplémentaire peut exercer une poussée plus forte sur le véhicule de remorquage, ce qui peut vous en faire perdre le contrôle (c.-à-d., le véhicule peut accélérer, les capacités de freinage et de contrôle sont réduites, la remorque peut causer une mise en portefeuille et faire renverser le véhicule).

Par mesure de sécurité, utilisez l'inclinomètre fourni dans ce manuel pour mesurer la pente du terrain avant de commencer à y travailler. Si, selon l'inclinomètre, la pente est supérieure à 5°, ne remorquez pas de charges lourdes sur la pente afin d'éviter de graves blessures.

### À faire :

1. Travaillez en remontant et en descendant la pente. Faites très attention lorsque vous changez de direction sur une pente.
2. Conduisez lentement lorsque vous descendez une pente pour éviter de perdre le contrôle du véhicule.
3. Faites attention aux trous, aux ornières, aux bosses, aux roches et à tout autre objet non visible qui peut faire basculer la remorque.
4. Conduisez lentement. Utilisez une vitesse suffisamment lente pour ne pas avoir à vous arrêter ou à changer de vitesse sur une pente. Les pneus risquent de manquer de traction sur une pente, même si les freins fonctionnent correctement. Gardez toujours la transmission engagée lorsque vous descendez une pente afin de profiter du freinage par compression du moteur.

### À faire :

1. Travaillez en remontant et en descendant la pente. Faites très attention lorsque vous changez de direction sur une pente.
2. Conduisez lentement lorsque vous descendez une pente pour éviter de perdre le contrôle du véhicule.

3. Faites attention aux trous, aux ornières, aux bosses, aux roches et à tout autre objet non visible qui peut faire basculer la remorque.
  4. Conduisez lentement. Utilisez une vitesse suffisamment lente pour ne pas avoir à vous arrêter ou à changer de vitesse sur une pente. Les pneus risquent de manquer de traction sur une pente, même si les freins fonctionnent correctement. Gardez toujours la transmission engagée lorsque vous descendez une pente afin de profiter du freinage par compression du moteur.
  5. Respectez les recommandations et les instructions de remorquage du fabricant du véhicule de remorquage. N'excédez jamais la capacité de charge recommandée de la remorque, peu importe la capacité de charge maximale du véhicule de remorquage.
  6. Déplacez-vous lentement et progressivement sur une pente. Ne changez pas de vitesse ou de direction brusquement. Une accélération ou un freinage brusque peut causer la perte de traction de la remorque ou du véhicule de remorquage, ce qui peut entraîner de graves blessures.
  7. Évitez de démarrer ou de vous arrêter sur une pente.
3. Ne faites pas fonctionner le véhicule de remorquage et ce transporteur sur des pentes abruptes.
  4. N'utilisez pas la remorque et le véhicule de remorquage sur l'herbe mouillée ou sur des terrains meubles. La traction réduite peut causer un glissement et une perte de contrôle.
  5. Ne passez pas au point mort pour descendre une pente. L'excès de vitesse peut causer la perte de contrôle du véhicule de remorquage et de la remorque et entraîner de graves blessures, voire la mort.
  6. N'utilisez pas une remorque chargée sur une pente supérieure à 5°. Lorsque vous descendez une pente, le poids supplémentaire peut exercer une poussée plus forte sur le véhicule de remorquage, ce qui peut vous en faire perdre le contrôle (c.-à-d., le véhicule peut accélérer, les capacités de freinage et de contrôle sont réduites, la remorque peut causer une mise en portfeuille et faire renverser le véhicule).
  7. Ne changez pas de vitesse ou de direction brusquement.
- b. Restez vigilant et arrêtez le véhicule dès qu'un enfant s'approche de la zone de travail.
  - c. Regardez toujours derrière vous et vers le sol avant de reculer et lorsque vous reculez pour voir s'il y a de petits enfants.
  - d. Ne transportez jamais d'enfants sur le véhicule de remorquage ou sur la remorque. Ils risquent de tomber et d'être gravement blessés ou de gêner le fonctionnement sécuritaire de l'équipement.
  - e. Faites très attention en vous approchant des virages masqués, des portails, des buissons, des arbres et de tout autre objet qui peut vous empêcher d'apercevoir un enfant.
  - f. Ne permettez pas aux enfants de s'approcher d'un moteur chaud ou d'un moteur en marche. Ils risquent de se brûler.
  - g. Retirez la clé de contact lorsque le véhicule de remorquage est laissé sans surveillance pour empêcher toute utilisation non autorisée.

#### À ne pas faire :




1. Ne faites pas de virage sur une pente. Si absolument nécessaire, faites un virage lentement et prudemment en descendant la pente.
2. Ne conduisez pas près d'une falaise, d'un fossé ou d'un remblai. Le véhicule de remorquage et la remorque peuvent se renverser soudainement si une roue franchit le bord d'une falaise ou d'un fossé, ou si ce bord cède sous son poids.

#### Enfants

1. Un accident grave risque de se produire si l'utilisateur de l'équipement n'est pas toujours vigilant en présence d'enfants. Les enfants sont souvent attirés par les véhicules de remorquage et les remorques. Ils ne se rendent pas compte des dangers. Ne prenez jamais pour acquis qu'un enfant va rester là où vous l'avez vu.
  - a. Éloignez les enfants de la zone de travail et placez-les sous la surveillance d'un adulte autre que l'utilisateur du véhicule de remorquage.
2. Ne permettez jamais aux enfants de moins de 14 ans d'utiliser la remorque ou de conduire le véhicule de remorquage. Les enfants de 14 ans et plus doivent lire et comprendre les instructions et les consignes de sécurité énoncées dans ce manuel et dans le manuel du véhicule de remorquage et ceux figurant sur l'équipement. Ils doivent être formés et supervisés par un adulte.

## Symboles de sécurité

Ce tableau illustre et explique les symboles de sécurité qui peuvent se trouver sur cet équipement. Veuillez lire, comprendre et suivre toutes les instructions figurant sur l'équipement et dans le(s) manuel(s) avant d'utiliser l'équipement.

Symbole	Description
	MANUEL(S) DE L'UTILISATEUR Veuillez lire, bien comprendre et suivre toutes les instructions du manuel avant d'assembler et d'utiliser l'équipement.
	DANGER — Ne transportez pas de passagers, surtout des enfants.
	Ce symbole indique les consignes de sécurité importantes qui, si elles ne sont pas respectées, peuvent mettre en danger votre propre sécurité et celle d'autrui ou entraîner des dommages matériels. Veuillez lire et respecter toutes les instructions du présent manuel avant d'utiliser cet équipement. Le non-respect de ces consignes peut entraîner des blessures corporelles.



**AVERTISSEMENT !** C'est votre responsabilité. Cet équipement ne doit être utilisé que par des personnes qui ont lu, compris et suivi les avertissements et les instructions mentionnés dans ce manuel et sur l'équipement.

**CONSERVEZ CES INSTRUCTIONS !**



## Contenu de la boîte

- Une remorque
- Une attache de remorque
- Deux roues
- Un ensemble de quincaillerie
- Un manuel de l'utilisateur

**NOTE :** Toutes les mentions de GAUCHE, DROITE, AVANT et ARRIÈRE s'entendent à partir du poste de conduite du véhicule de remorquage, soit du tracteur de pelouse et de jardin.

## Ensemble de quincaillerie

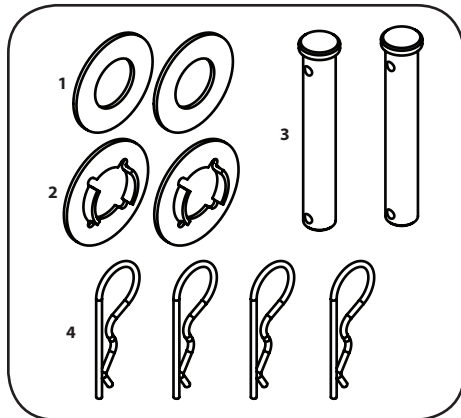


Figure 3-1

Le contenu de l'ensemble de quincaillerie est précisé ci-dessous et illustré à la Figure 3-1.

1. Deux (2) rondelles plates de 0,760 x 1,490 x 0,060 (738-0351)
2. Deux (2) rondelles à bride de 0,781 x 1,590 (736-04228A)
3. Deux (2) Goupille d'attelage, 0,50 x 3,25 (711-06472)
4. Quatre (4) Goupille fendue (714-3020)

## Préparation

1. Déballez soigneusement le contenu de la boîte. Coupez toutes les attaches qui fixent le contenu à la boîte.
2. Placez la remorque en position verticale comme indiqué à la Figure 3-2.

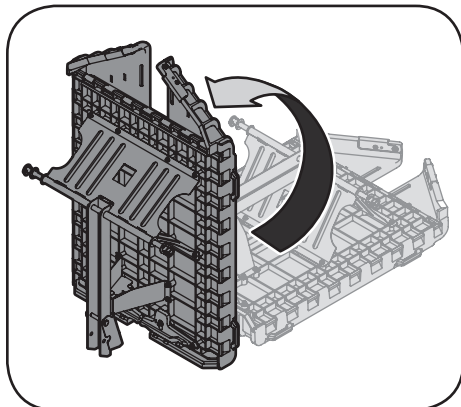


Figure 3-2

3. Avant d'installer les roues, graissez l'essieu et l'intérieur des jantes avec de la graisse (non incluse). Appliquez de la graisse (non incluse) sur la partie exposée de l'essieu, puis graissez l'essieu au complet. Ajoutez une petite quantité de graisse (non incluse) dans la jante.
4. Installez la rondelle plate (de l'ensemble de quincaillerie), la roue et la rondelle à bride (de l'ensemble de quincaillerie) sur l'essieu. Voir Figure 3-3. Assurez-vous que la tige sur la jante de la roue pointe vers l'extérieur.

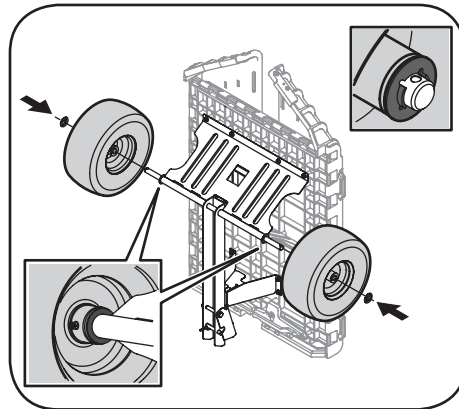


Figure 3-3

5. Installez les goupilles fendues de l'ensemble de quincaillerie dans les trous de chaque extrémité de l'essieu pour fixer les pneus. Voir Figure 3-4.

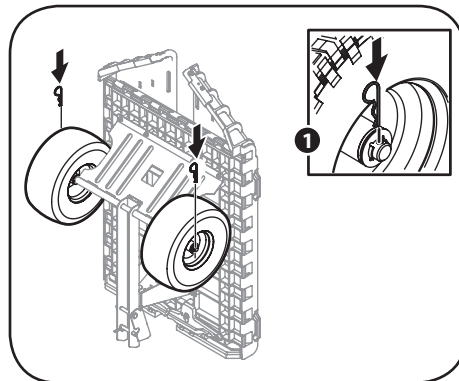


Figure 3-4

6. Placez soigneusement la remorque sur ses roues.
7. Repérez le loquet de verrouillage du panneau à l'avant de la remorque. Pressez le loquet de verrouillage et relevez le panneau latéral de la benne. Voir Figure 3-5.

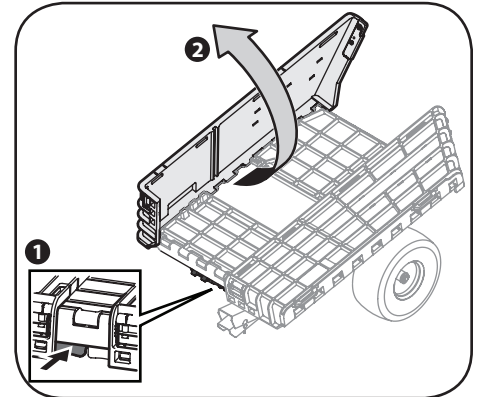


Figure 3-5

8. Répétez l'étape 7 pour relever l'autre panneau latéral de la benne.
9. Relevez le panneau avant, puis tirez les loquets de verrouillage jusqu'à ce qu'ils s'enclenchent pour fixer le panneau avant entre les panneaux latéraux. Voir Figure 3-6.

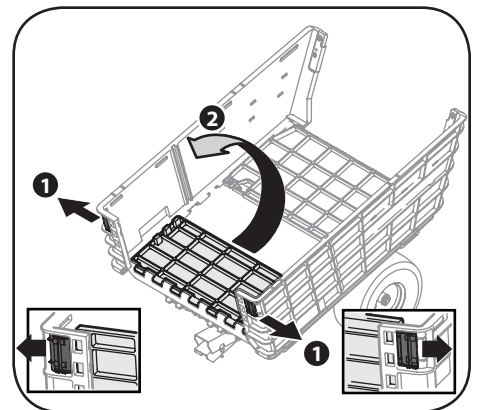


Figure 3-6

10. Soulevez les loquets de verrouillage du hayon, puis relevez le hayon pour le placer en position verticale. Voir Figure 3-7.

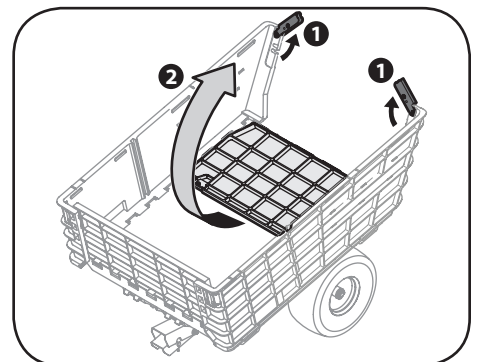


Figure 3-7

11. Lorsque le hayon est placé en position verticale, faites enclencher les loquets de verrouillage sur le hayon pour le fixer en place. Voir Figure 3-8.

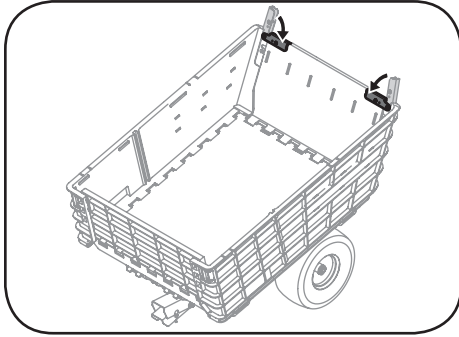


Figure 3-8

12. Déposer l'axe de chape et la goupille fendue du pack de matériel.

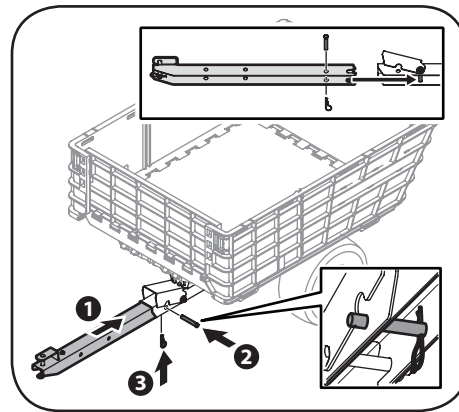


Figure 3-9

13. Faites glisser l'attache de la remorque dans le support de l'attache. Voir Figure 3-9. Alignez le trou arrière de l'attache sur le trou du support de l'attache, puis insérez la goupille d'attelage dans l'attache et dans le support. Fixez la goupille d'attelage avec la goupille fendue. Voir Figure 3-9.

14. Assurez-vous que la goupille d'attelage est installée à l'intérieur de l'attache de la remorque et du support. Voir Figure 3-9.

### Vérification de la pression des pneus



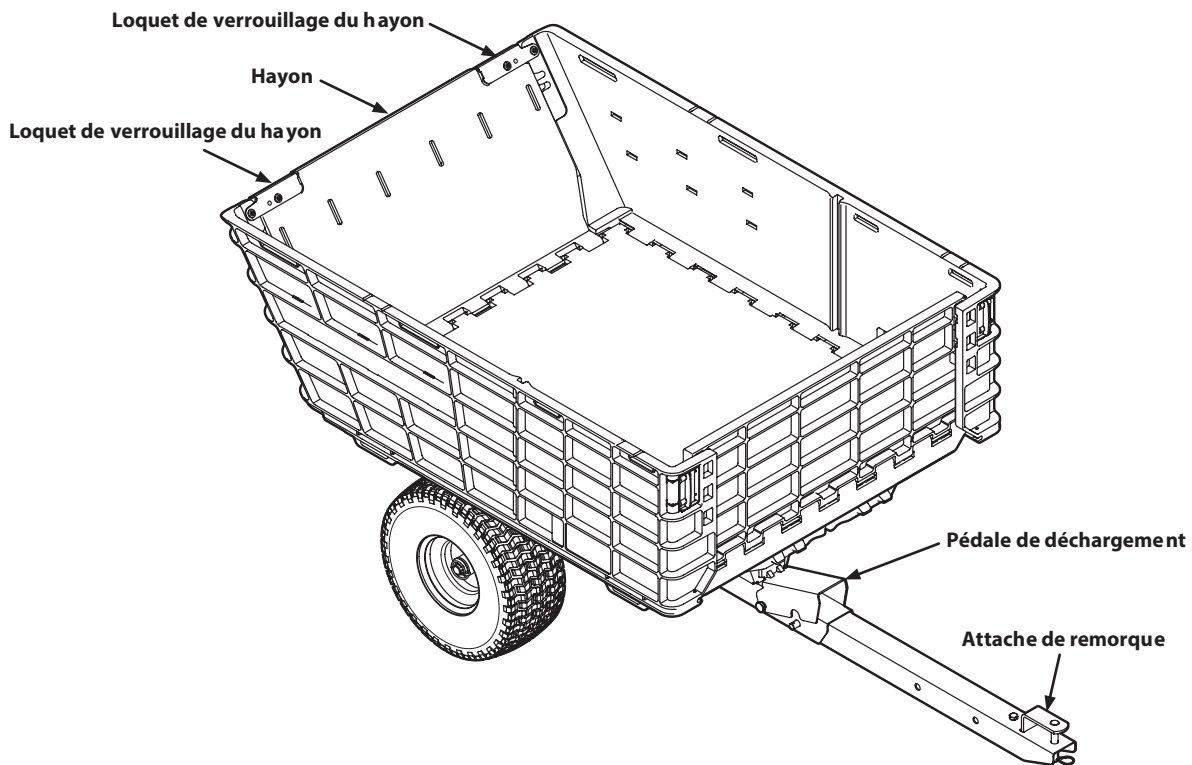
**AVERTISSEMENT!** Maintenez toujours une pression égale dans tous les pneus. Regardez sur le flanc du pneu pour connaître la pression adéquate.

Les pneus de la remorque peuvent être surgonflés à des fins d'expédition. Ajustez la pression des pneus avant d'utiliser la remorque, si nécessaire. Regardez sur le flanc du pneu pour connaître la pression maximale de gonflage.

**NOTE:** La pression recommandée est 14 psi.

## Commandes et caractéristiques

# 4



**NOTE:** Toutes les mentions de GAUCHE, DROITE, AVANT et ARRIÈRE s'entendent à partir du poste de conduite du véhicule de remorquage, soit du tracteur de pelouse et de jardin.

### Hayon

Le hayon est situé à l'arrière de la remorque. Il peut être rabaisé pour le chargement et le déchargement de matériel ou verrouillé à l'aide des deux loquets de verrouillage.

### Loquets de verrouillage du hayon

Les loquets de verrouillage se trouvent à l'arrière de la remorque et sont utilisés pour fixer le hayon en place.

### Attache de remorque

L'attache de remorque est utilisée pour fixer la remorque au véhicule de remorquage.

### Pédale de déchargement

La pédale de déchargement est située sur l'attache de remorque. Elle est utilisée pour décharger le matériel de la remorque.



## Fixer la remorque au véhicule de remorquage

1. Déposer l'axe de chape et la goupille fendue du pack de matériel.

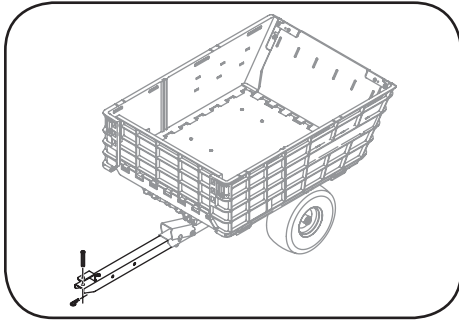


Figure 5-1

2. Faites glisser l'attache de remorque dans le support de l'attache à l'arrière du véhicule de remorquage. Fixez l'attache avec la quincaillerie retirée à l'étape 1. Voir Figure 5-1.

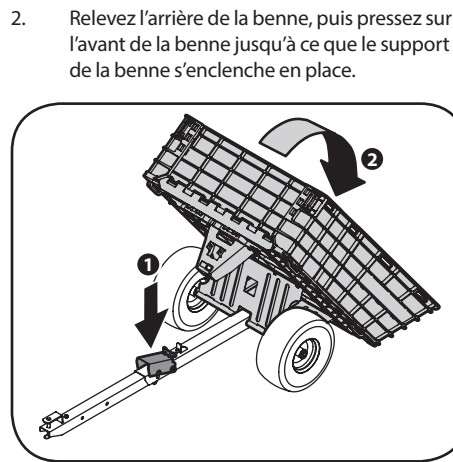


Figure 5-2

## Abaisser le hayon

Relevez les loquets de verrouillage du hayon pour abaisser le hayon. Voir Figure 5-3.

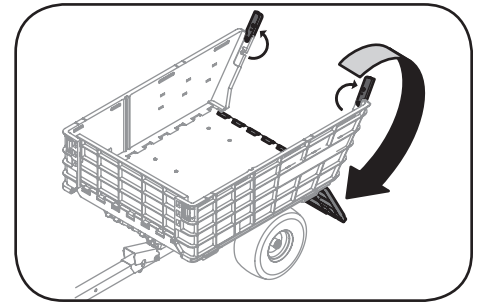


Figure 5-3

## Relever le hayon

Relevez le hayon et faites enclencher les loquets de verrouillage sur le hayon pour le fixer en place. Voir Figure 5-4.

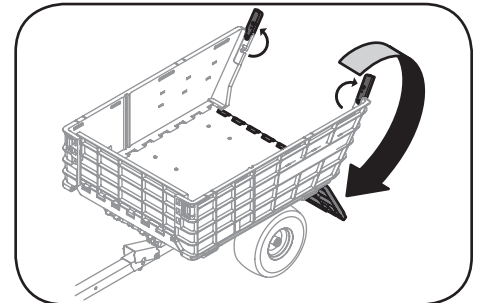


Figure 5-4

## Décharger le matériel

1. Le contenu de la remorque peut être déchargé à l'aide de la pédale de déchargement qui se trouve sur l'attache de remorque. Voir Figure 5-2.

# Entretien et réglages

## Réglages

### Entreposage de la remorque

La remorque peut être repliée pour être entreposée. Procédez comme suit pour entreposer la remorque :

1. Relevez les loquets de verrouillage du hayon, puis abaissez le hayon sur la benne.
2. Pressez les leviers de déverrouillage à l'avant de la remorque (sous le plancher de la benne), puis abaissez le panneau avant sur la benne.
3. Pliez les panneaux latéraux sur la benne jusqu'à ce qu'ils s'enclenchent dans les loquets de verrouillage des panneaux.
4. Retirez la goupille d'attelage et la goupille fendue qui fixent l'attache de remorque au support de l'attache.
5. Faites glisser l'attache de remorque hors du support de l'attache.
6. Placez la remorque en position verticale comme indiqué à la Figure 6-1.
7. Faites glisser l'attache de remorque dans l'ouverture du support de la remorque. Voir Figure 6-1.
8. Fixez l'attache de remorque en place à l'aide de la goupille d'attelage et la goupille fendue. Voir Figure 6-1.

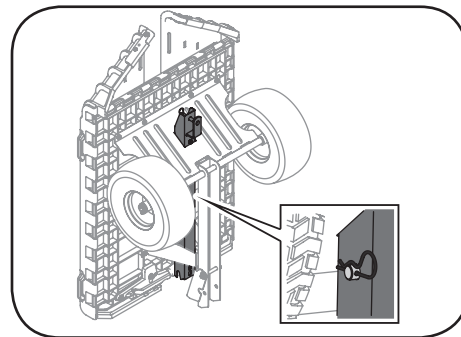


Figure 6-1

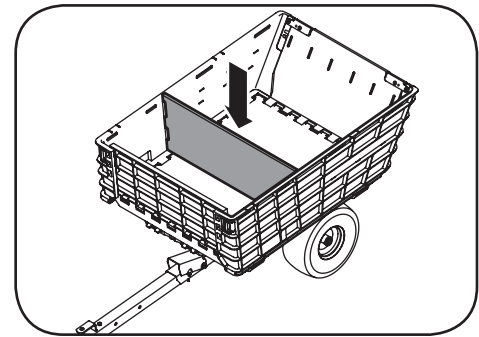


Figure 6-2

### Séparateur pour remorque

Un contre-plaqué de 1/2" peut être utilisé pour créer un séparateur qui sert à diviser la benne en deux.

Le séparateur doit être d'une hauteur de 12", d'une longueur de 32 1/2" et d'une épaisseur de 1/2". Coupez le contre-plaqué et installez-le dans la benne. Voir Figure 6-2.

### Entretien

1. Lubrifiez tous les points de pivotement une fois par année ou au besoin.
2. Graissez les roues à partir des raccords de graissage une fois par année ou au besoin. Voir Figure 6-3.

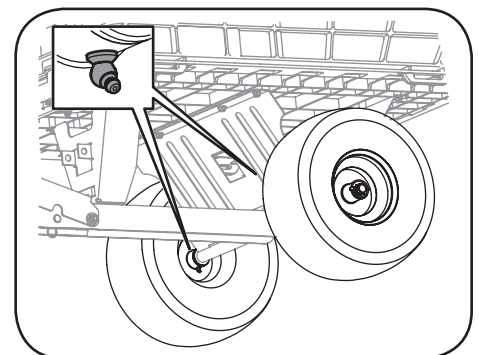
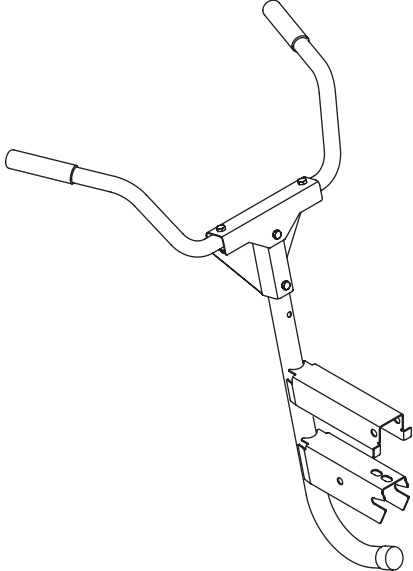
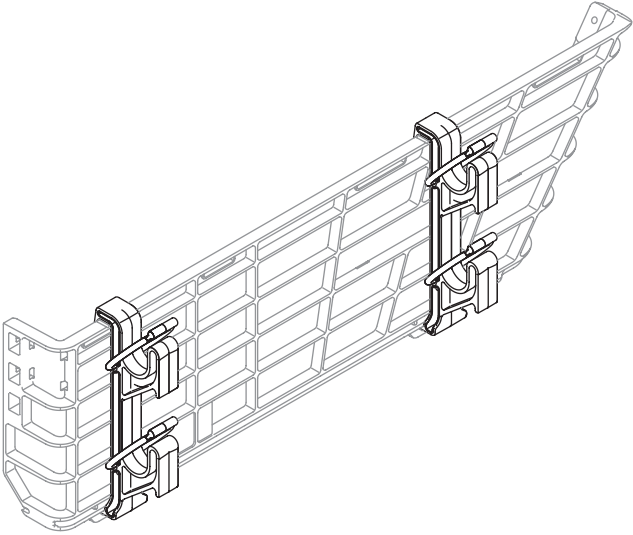



Figure 6-3

Numéro	Description
<p>19A40027OEM</p> 	<p>Poignées pour remorque Cub Cadet</p>
<p>19A40030OEM</p> 	<p>Porte-outils pour remorque Cub Cadet</p>
<p>HPA-20</p> 	<p>Goupille d'attelage</p>





# CUB CADET LLC

## MANUFACTURER'S LIMITED WARRANTY

### FOR SEPARATELY SOLD ATTACHMENTS AND ACCESSORIES

**IMPORTANT:** To obtain warranty coverage owner may be required to present an original proof of purchase and applicable maintenance records to the servicing dealer. Please see the operator's manual for information on required maintenance and service intervals.

The limited warranty set forth below is given by Cub Cadet LLC with respect to new merchandise purchased or leased and used in the United States and/or its territories and possessions, and by MTD Products Limited with respect to new merchandise purchased or leased and used in Canada and/or its territories and possessions (either entity respectively, "Cub Cadet").

Cub Cadet warrants this product (excluding its *Normal Wear Parts*, as described below) against defects in material and workmanship for a period of two (2) years commencing on the date of original retail purchase or lease and will, at its option, repair or replace, free of charge, any part found to be defective in materials or workmanship.

*Normal Wear Parts* are warranted to be free from defects in material and workmanship for a period of thirty (30) days from the date of original purchase or lease. Normal wear parts include, but are not limited to items such as: belts, blades, blade adapters, grass bags, rider deck wheels, seats, and tires.

This limited warranty shall only apply if this product has been operated and maintained in accordance with the Operator's Manual furnished with the product, and has not been subject to misuse, abuse, neglect, accident, improper maintenance, alteration, vandalism, theft, fire, water, or damage because of other peril or natural disaster. Damage resulting from the installation or use of any part, accessory or attachment not approved by Cub Cadet for use with the product(s) covered by this manual will void your warranty as to any resulting damage. In addition, Cub Cadet may deny warranty coverage if the hour meter, or any part thereof, is altered, modified, disconnected or otherwise tampered with.

**HOW TO OBTAIN SERVICE:** Warranty service is available, WITH PROOF OF PURCHASE AND APPLICABLE MAINTENANCE RECORDS, through your local authorized service dealer. To locate the dealer in your area:

#### **In the U.S.A.**

Check your Yellow Pages, or contact Cub Cadet LLC at P.O. Box 361131, Cleveland, Ohio 44136-0019, call 1-877-282- 8684 or log on to our website at [www.cubcadet.com](http://www.cubcadet.com).

#### **In Canada**

Contact MTD Products Limited, Kitchener, ON N2G 4J1, call 1-800-668-1238 or log on to our website at [www.mtdcanada.com](http://www.mtdcanada.com).

Without limiting the foregoing, this limited warranty does not provide coverage in the following cases:

- a. Routine maintenance items such as lubricants, filters, blade sharpening, tune-ups, brake adjustments, clutch adjustments, deck adjustments, and normal deterioration of the exterior finish due to use or exposure.
- b. Service completed by someone other than an authorized service dealer.
- c. Cub Cadet does not extend any warranty for products sold or exported outside of the United States and/or Canada, and their respective possessions and territories, except those sold through Cub Cadet's authorized channels of export distribution.
- d. Replacement parts and/or accessories that are not genuine Cub Cadet parts.
- e. Transportation charges and service calls.
- f. Commercial or Institutional Use.

**There are no implied warranties, including without limitation any implied warranty of merchantability or fitness for a particular purpose. No warranties shall apply after the applicable period of express written warranty above. No other express warranties beyond those mentioned above, given by any person or entity, including a dealer or retailer, with respect to any product, shall bind Cub Cadet. The exclusive remedy is repair or replacement of the product as set forth above.**

**The terms of this warranty provide the sole and exclusive remedy arising from the sale and/or lease of the products covered hereby. Cub Cadet shall not be liable for any incidental or consequential loss or damage including, without limitation, expenses incurred for substitute or replacement lawn care services or for rental expenses to temporarily replace a warranted product.**

Some jurisdictions do not allow the exclusion or limitation of incidental or consequential damages, or limitations on how long an implied warranty lasts, so the above exclusions or limitations may not apply to you.

In no event shall recovery of any kind be greater than the amount of the purchase price of the product sold. **Alteration of safety features of the product shall void this warranty.** You assume the risk and liability for loss, damage, or injury to you and your property and/or to others and their property arising out of the misuse or inability to use the product.

This limited warranty shall not extend to anyone other than the original purchaser or to the person for whom it was purchased as a gift.

**HOW LOCAL LAWS RELATE TO THIS WARRANTY:** This limited warranty gives you specific legal rights, and you may also have other rights that vary in different jurisdictions.

**Cub Cadet LLC, P.O. BOX 361131 CLEVELAND, OHIO 44136-0019, Phone: 1-877-282-8684**  
**MTD Products Limited, Kitchener, ON N2G 4J1, Phone: 1-800-668-1238**

# CUB CADET LLC

## GARANTÍA LIMITADA DEL FABRICANTE

### PARA ACCESORIOS Y ELEMENTOS QUE SE VENDEN POR SEPARADO

**IMPORTANTE:** Para obtener cobertura de garantía, el propietario debe presentar el comprobante de compra original y los registros de mantenimiento correspondientes al centro de servicio técnico autorizado del distribuidor. Consulte el manual del operador para obtener información sobre los intervalos de mantenimiento y servicio requeridos

La siguiente garantía limitada es otorgada por Cub Cadet LLC con respecto a nuevos productos adquiridos o arrendados y utilizados en Estados Unidos y/o sus territorios y posesiones, y por MTD Products Limited con respecto a nuevos productos adquiridos o arrendados y utilizados en Canadá y/o sus territorios y posesiones (cualquiera de las dos entidades, respectivamente, "Cub Cadet").

Cub Cadet garantiza este producto (excluidas las piezas con desgaste normal, según se describe más abajo) contra defectos en los materiales y mano de obra por un período de dos (2) años a partir de la fecha de compra o arrendamiento original y, a su opción, reparará o reemplazará, sin costo alguno, cualquier pieza que presente defectos en los materiales o de mano de obra.

Se garantiza que las piezas con desgaste normal están libres de defectos en los materiales y de mano de obra por un período de treinta (30) días a partir de la fecha original de compra o arrendamiento. Las piezas sujetas a desgaste normal incluyen pero no se limitan a: correas, cuchillas, adaptadores de cuchilla, bolsas de césped, ruedas de plataforma, asientos y neumáticos.

Esta garantía limitada sólo se aplicará si el producto ha sido operado y mantenido de acuerdo con las instrucciones del Manual del Operador que se proporciona con el producto y no ha sido sujeto a uso inapropiado, abuso, uso comercial, abandono, accidente, mantenimiento incorrecto, alteración, vandalismo, robo, incendio, inundación o algún daño debido a otro peligro o desastre natural. Los daños que resulten de la instalación o el uso de piezas, accesorios o elementos no aprobados por Cub Cadet para usar con el o los productos incluidos en este manual anularán la garantía en lo que respecta a esos daños. Además, Cub Cadet puede rechazar la cobertura de la garantía si el medidor de horas o cualquier parte del mismo, es alterado, modificado, desconectado o de otro modo forzado.

**CÓMO SOLICITAR Y OBTENER SERVICIO TÉCNICO:** El servicio de la garantía está disponible, CON COMPROBANTE DE COMPRA Y LOS REGISTROS DE MANTENIMIENTO CORRESPONDIENTES a través de su distribuidor local de servicio autorizado. Para localizar al distribuidor de su zona:

#### **En Estados Unidos de América:**

Consulte sus páginas amarillas, o póngase en contacto con Cub Cadet LLC en P.O. Box 361131, Cleveland, Ohio 44136-0019, llame al 1-877-282-8684, o visite nuestro sitio web en [www.cubcadet.com](http://www.cubcadet.com).

#### **En Canadá:**

Póngase en contacto con MTD Products Limited, Kitchener, ON N2G 4J1, llame al 1-800-668-1238 ó visite nuestro sitio web en [www.mtdcanada.com](http://www.mtdcanada.com).

Sin limitación de lo anteriormente dicho, esta garantía limitada no ofrece cobertura en los siguientes casos:

- Los elementos del mantenimiento de rutina como por ejemplo lubricantes, filtros, afiladores de cuchillas, puesta a punto del motor, ajustes de frenos, del embrague o de la plataforma y el deterioro normal del acabado exterior debido al uso o exposición.
- Mantenimiento no realizado por el distribuidor de servicio autorizado.
- Cub Cadet no extiende ninguna garantía para los productos vendidos o exportados fuera de los Estados Unidos de América y/o Canadá, y sus respectivas posesiones y territorios, excepto para aquellos vendidos a través de los canales autorizados de distribución de exportaciones de Cub Cadet.
- Piezas de reemplazo y/o accesorios que no son piezas originales de Cub Cadet.
- Gastos de transporte y visitas técnicas.
- Uso comercial o institucional.

**No existen garantías implícitas, incluyendo sin limitación cualquier garantía implícita de comerciabilidad o adaptabilidad para un propósito en particular. Ninguna garantía tendrá validez después del período de aplicación de la expresa garantía escrita indicada anteriormente. Ninguna otra garantía expresa, sea oral o escrita, excepto la mencionada anteriormente, extendida por personas o entidades, incluidos los distribuidores y minoristas, con respecto a cualquier producto, obligará a Cub Cadet. El recurso exclusivo es reparar o reemplazar el producto según lo anteriormente establecido. Los términos de esta garantía cubren las reparaciones únicas y exclusivas que surjan de la venta y/o arrendamiento de los productos cubiertos por la presente. Cub Cadet no se hará responsable de las pérdidas o los daños incidentales o indirectos, incluyendo, sin limitación, los gastos incurridos en servicios de mantenimiento, sustitución o reemplazo del césped, o los gastos de arrendamiento realizados para reemplazar de manera transitoria un producto bajo garantía.**

Algunas jurisdicciones no permiten la exclusión o limitación de los daños y perjuicios incidentales o indirectos, o las limitaciones sobre la duración de las garantías implícitas, por lo que las exclusiones o limitaciones mencionadas anteriormente pueden no aplicarse en su caso.

En ningún caso se obtendrá una compensación de ningún tipo por un monto mayor al precio de compra del producto adquirido. La alteración de las características de seguridad del producto anulará esta garantía. Usted asume el riesgo y la responsabilidad por las pérdidas, daños o lesiones personales o materiales propias o de terceros que surjan del uso incorrecto o de la falta de capacidad para usar este producto.

Esta garantía limitada cubre solamente al comprador original, o a la persona que recibió el producto de regalo.

**CÓMO SE RELACIONA LA LEGISLACIÓN LOCAL CON ESTA GARANTÍA:** Esta garantía limitada le otorga derechos legales específicos y usted también puede tener otros derechos que varían de una jurisdicción a otra.

**Cub Cadet LLC, P.O. BOX 361131 CLEVELAND, OHIO 44136-0019, teléfono: 1-877-282-8684**  
**MTD Products Limited, Kitchener, ON N2G 4J1, teléfono: 1-800-668-1238**

# CUB CADET LLC

## GARANTIE LIMITÉE DU FABRICANT

### POUR LES ACCESSOIRES VENDUS SÉPARÉMENT

**IMPORTANT :** Le propriétaire doit présenter le reçu original et les relevés d'entretien au concessionnaire pour faire honorer la garantie. Le propriétaire de l'équipement est tenu de respecter le calendrier d'entretien tel qu'il est indiqué dans le manuel de l'utilisateur.

La garantie limitée détaillée ci-dessous est offerte par Cub Cadet LLC pour de nouveaux produits achetés ou loués et utilisés aux États-Unis, dans ses possessions et territoires, et par MTD Products Limited pour de nouveaux produits achetés ou loués et utilisés au Canada et dans ses territoires (chaque entité respectivement, « Cub Cadet »).

Cub Cadet garantit que ce produit (à l'exception des pièces à usure normale énumérés ci-dessous) est exempt de tout vice de matière et de fabrication pour une durée de deux (2) ans à compter de la date d'achat initiale ou de la location-bail et s'engage à réparer ou à remplacer, gratuitement et à son choix, toute pièce qui s'avère défectueuse en raison d'un vice de matériel ou de fabrication.

Les pièces à usure normale sont garanties exemptes de tout vice de matière et de fabrication pour une période de trente (30) jours à compter de la date initiale d'achat ou de la location-bail. Les pièces à usure normale comprennent, sans s'y limiter : les courroies, les lames, les adaptateurs de lame, les sacs à herbe, les roues du plateau de coupe, les sièges et les pneus.

Cette garantie ne s'applique que si l'équipement a été utilisé et entretenu conformément aux indications du manuel de l'utilisateur fourni avec l'équipement et exclut les mauvaises utilisations, les abus, la négligence, les accidents, le mauvais entretien, les altérations, le vandalisme, le vol, le feu, les inondations et les autres dommages causés par des catastrophes naturelles. Les dégâts causés par l'installation ou l'utilisation d'une pièce ou d'un accessoire, dont l'emploi avec le produit n'est pas homologué par Cub Cadet, rendront la garantie nulle et non avenue. De plus, cette garantie ne s'applique pas si le compteur d'heures, ou tout autre composant de celui-ci, a été modifié, déconnecté ou autrement changé.

#### **POUR OBTENIR LE SERVICE DANS LE CADRE DE LA GARANTIE :**

Présentez UNE PREUVE D'ACHAT ET LES RELEVÉS D'ENTRETIEN CORRESPONDANTS au centre de service agréé de votre région.

Pour trouver un concessionnaire autorisé dans votre région :

#### **Aux États-Unis :**

Consultez les Pages Jaunes, écrivez à Cub Cadet LLC, P.O. BOX 361131 CLEVELAND, OHIO 44136-0019, appelez au 1 877 282-8684, ou visitez notre site Web au [www.cubcadet.com](http://www.cubcadet.com).

#### **Au Canada :**

Écrivez à MTD Products Limited, Kitchener, Ontario, N2G 4J1, téléphonez au 1 800 668-1238 ou visitez notre site Web au [www.mtdproducts.ca](http://www.mtdproducts.ca).

Sans limiter ce qui précède, cette garantie limitée ne couvre pas :

- Les articles d'entretien courant tels que les lubrifiants et les filtres, l'aiguisage de lames, les révisions, les réglages de frein, de l'embrayage ou du plateau de coupe ainsi que la détérioration normale de la finition extérieure due à l'utilisation de l'équipement ou à son exposition aux intempéries.
- Une réparation exécutée par quiconque autre qu'un centre de service agréé.
- Cub Cadet ne garantit pas les produits vendus ou exportés hors des États-Unis et/ou du Canada, de leurs possessions et territoires respectifs, sauf si ces produits ont été vendus par l'intermédiaire des services d'exportation de Cub Cadet.
- Les pièces de rechange qui ne sont pas des pièces d'origine de Cub Cadet.
- Les frais de transport et de déplacement des techniciens.
- Cub Cadet ne garantit pas ce produit s'il est utilisé à des fins commerciales ou institutionnelles.

**Aucune garantie implicite, y compris sans s'y limiter, toute garantie tacite de qualité marchande ou d'adaptabilité dans un but particulier, ne s'applique après la période applicable de garantie explicite décrite ci-dessus. Aucune autre garantie explicite, mise à part la garantie décrite ci-dessus, donnée par tout individu ou toute entreprise, y compris le concessionnaire, à l'égard de tout produit, n'engage Cub Cadet. Le seul recours se limite à la réparation ou le remplacement du produit tel que stipulé ci-dessus.**

**Les stipulations énoncées dans cette garantie offrent le seul recours à la suite de la vente ou de la location-bail. Cub Cadet ne peut être tenu responsable pour toute perte ou tout dommage accessoire ou immatériel comprenant, sans s'y limiter, les frais de remplacement ou de substitution des services d'entretien des pelouses ou les frais de location pour remplacer temporairement un produit sous garantie.**

Certaines juridictions ne permettent pas l'exclusion des dommages accessoires ou immatériels ou une limite à la durée de la garantie implicite. Par conséquent, les exclusions et restrictions ci-dessus peuvent ne pas s'appliquer dans votre cas.

En aucun cas, le montant de remboursement ou de remplacement ne saurait être supérieur à celui du prix d'achat du produit. **Toute modification des dispositifs de sécurité rendra la garantie nulle et non avenue.** L'utilisateur assume tout risque et toute responsabilité en cas de perte, de dommage matériel ou de blessure résultant de l'utilisation incorrecte du produit ou de l'incapacité de l'employer.

Cette garantie limitée n'est offerte qu'à l'acheteur initial ou à la personne à laquelle le produit a été offert en cadeau.

**Lois locales et cette garantie :** Cette garantie limitée vous accorde des droits juridiques spécifiques. Vous pouvez également bénéficier d'autres droits qui varient selon les juridictions.

**Cub Cadet LLC, P.O. BOX 361131 CLEVELAND, OHIO 44136-0019; Téléphone : 1 877 282-8684**  
**MTD Canada Limited - KITCHENER, ON N2G 4J1; Téléphone : 1 800 668-1238**