

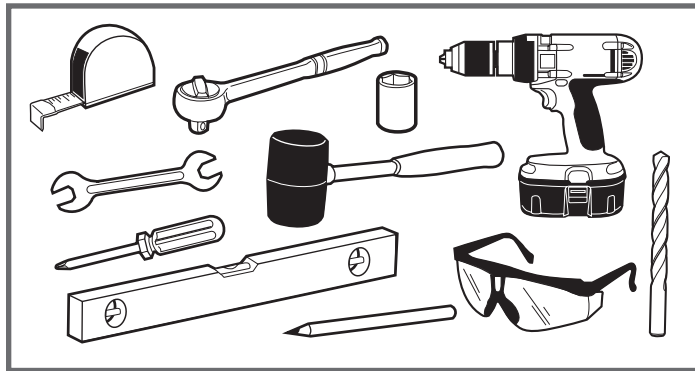
# Glass Door & Track Installation

Please read ALL instructions before you begin installation.

You MUST determine if you need a Mounting Board prior to doing ANY installation. Due to many overlapping factors such as the location of wall studs, the weight of a Barn door and the various types of trim used in homes, we recommend using a Mounting Board in all situations. Track must be installed into Solid Blocking or Head Casing.

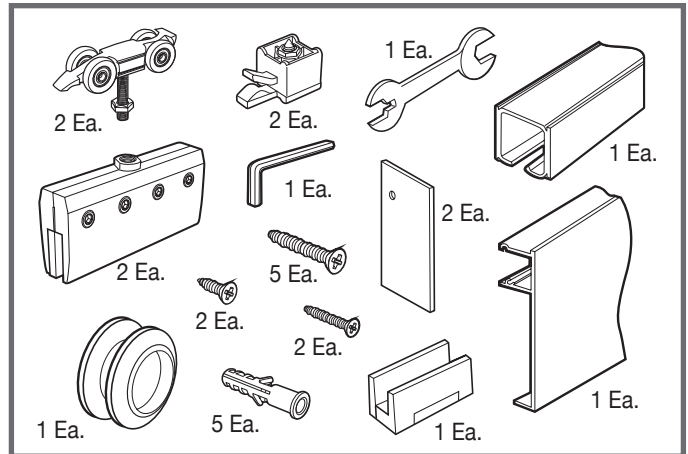
## Tools Needed

You will need a Pencil, Phillips head screwdriver, Tape measure, Drill, Assorted Drill bits (5/16" & 3/8"), 16mm Wrench, 17mm Wrench, Squaring tool, 4ft Level, Rubber mallet and Safety glasses. A large sturdy workbench or saw horses. Due to the weight of the glass door, 2 people are recommended for any lifting.



## Parts List

Make sure ALL parts are included before beginning.



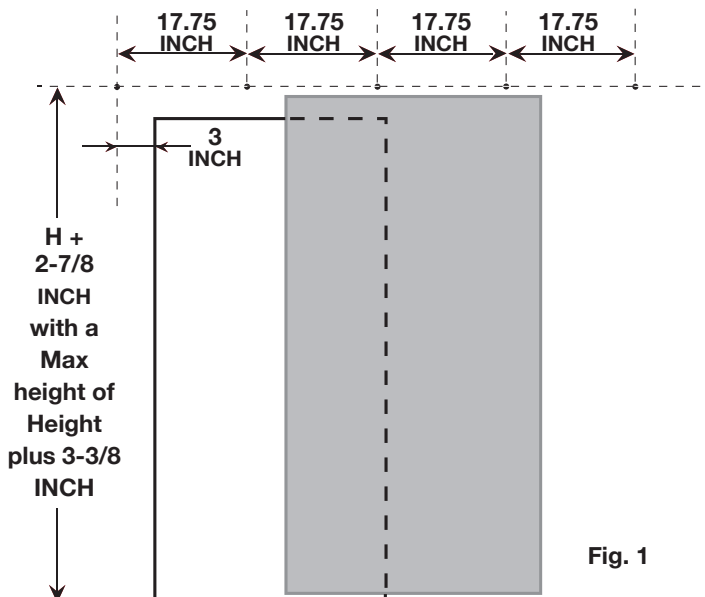
**NOTE**

**NOTE:** It is very important to determine whether you will be installing a Mounting Board prior to installing the track. Please read Mounting Board section prior to installation. If you do need to install a Mounting Board, it **MUST** be installed first.

**NOTE**

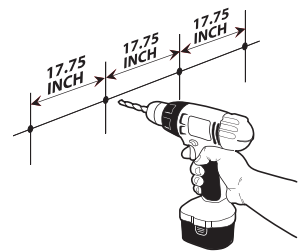
### 1. Measure for Track Height

In order to determine the proper Height for your Barn Door Track, add 2-7/8" to the height of the door being installed. Locate and mark this height on the wall (or mounting board) on the side of the door jamb where the door would be in the closed position. See Figure #1.



### 2. Determine Track Location

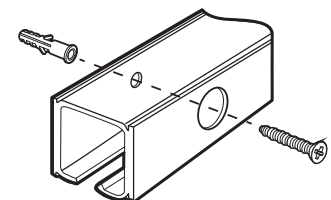
On the same side where you made your Height mark, measure 3" over from the doorjamb and draw a line so the 2 measurements intersect. This will be the location of the first hole in the track. See Figure #1.



### 3. Insert Mounting Anchors and Install Track

Place the first hole of the track at this intersection and using the drill insert the proper anchors for your wall type. Make sure the track is level while marking the remaining holes in the track. Insert the remaining anchors and secure the track to the wall using the screws provided. Refer to Figures 1 & 2.

Fig. 2



**WARNING**

Improper installation could cause serious bodily harm.

# Glass Door Track Installation

## 4. Install the Mounting Brackets

Place the door on sturdy work surface. Take one of the mounting brackets, remove the 4 black screws and separate the bracket. Each side of the bracket should have a plate with a hole in it. Place the side of the bracket with groove and silver tube facing up on the under side of the glass. Insert the silver pin into the hole in the glass and place the other half of the bracket on top of the glass so they match up. Reinsert the black screws and tighten with the Allen wrench provided. Repeat with the other bracket.

See Figure #3.

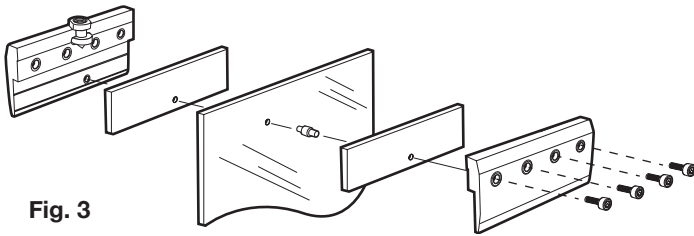


Fig. 3

## 5. Attach and Secure Rollers to the Brackets

Insert one of the rollers into the top of the bracket. Screw the roller into place so there is a 3/4" distance between the top of the bracket to the bottom edge of the roller. Make sure that the piece on the roller sloping down is facing to the outside of the door. Turn the metal nut into place and tighten with the 13mm wrench provided. Repeat with the other bracket.

See Figure #4.

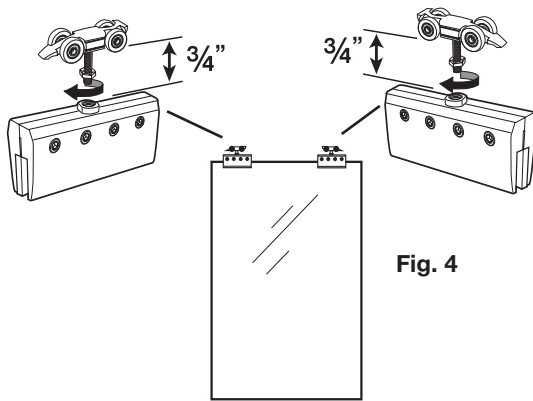


Fig. 4

## 6. Install Handle

Unscrew the handle into two pieces and place the thicker piece on the under side of the handle hole. Place the thin piece on the top side of the hole and screw together until snug.

See Figure #5.

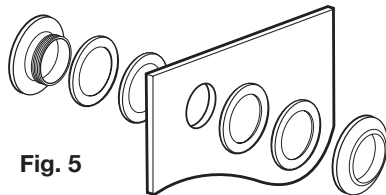


Fig. 5

## 7. Place door into the Track

Using 2 people, lift the door and slide the attached rollers into the track. Make sure the black screws are facing out.

See Figure #8.

## 8. Secure Bottom Door Glide

The Bottom Door glide keeps the door from swinging outward away from the wall. To locate the proper installation position in the floor, slide the door into the desired closed position and mark the outside edge of the door on the floor. Now place the door into the open position and slide the Door glide onto the inside edge of the bottom of the door and place it onto the spot you marked. Make sure whether the door is in the open or closed position, the door NEVER leaves the Door glide. This is the proper location for the Door glide. Make sure your glide location is well marked. Slide the door out of the way and using a drill and the screw provided, secure the Door glide to the floor.

See Figure #7.

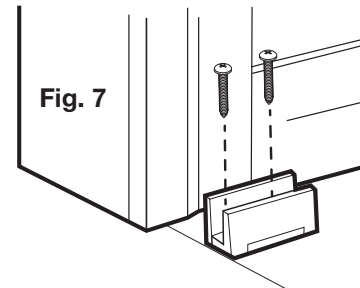


Fig. 7

## 9. Insert Door Stops

Make sure the door is hanging level on the track. If adjustment is needed, remove the door from the track. Loosen the nut with the wrench and turn the roller counter-clockwise to the desired position, making sure the piece on the roller sloping down is facing to the outside of the door. Re-tighten the nut. Repeat with the other roller if necessary.

Place the door back onto the track and ensure the door is level. Make additional adjustments as needed.

With the door level and in the fully closed position, take one of the white doorstops and insert into one end of the track. Make sure the end with the V goes into the track first. Slide the stop into the track until it meets the roller and snaps into place. Using a Phillips head screwdriver, tighten the screw in the doorstop. Move the door to the fully open position and repeat with the other doorstop.

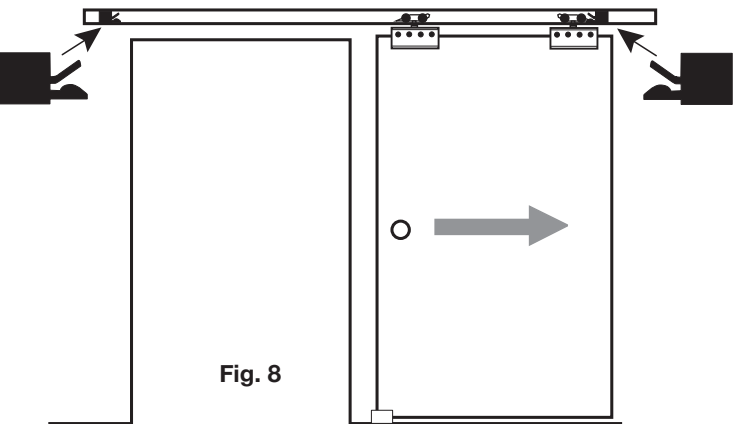
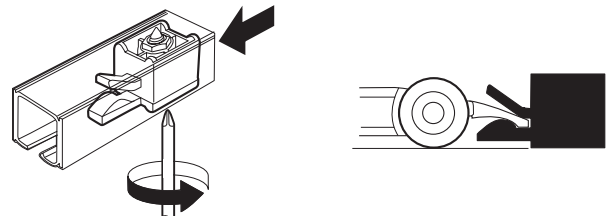


Fig. 8



# Barn Door Track Installation

## 10. Place Track Cover

Snap the track cover onto the track.  
See Figure #9.

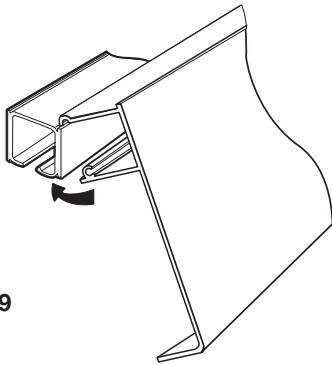


Fig. 9

## 11. Install Bracket End Caps

Take one of the end caps and secure with the screw provided.  
Repeat with the other end.  
See Figure #10.

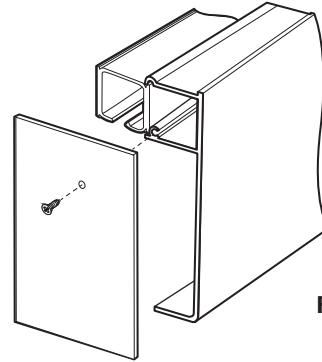


Fig. 10

## Overview

