

Assembly Instructions for UR-185, UR-245, & UR-60

Step 1

Figure B

Note: Post are directional. The slot must point down.

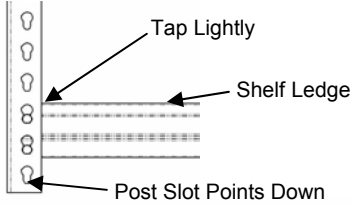


Figure A

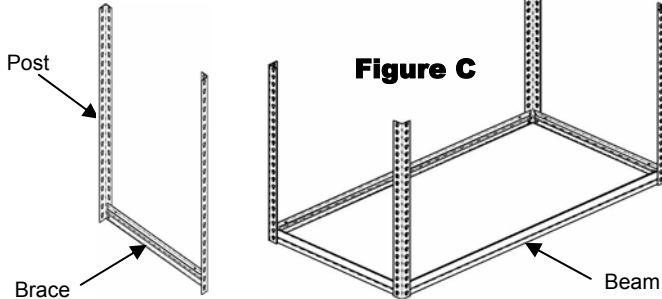
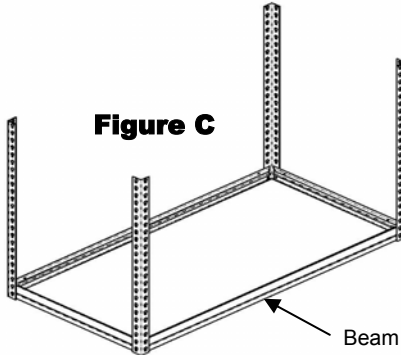
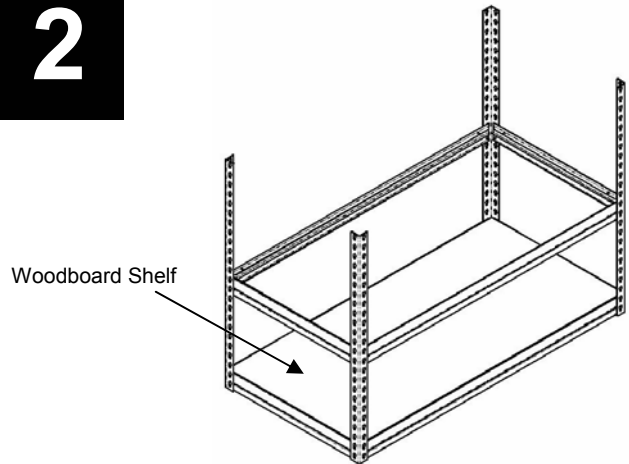


Figure C



Assemble two (2) post with one (1) brace. Skipping one slot from the bottom of the post (see figure A), place the rivets into post with the slot pointing down, and with the shelf ledge of the brace facing up (see figure B). Tap lightly to seat rivets. Repeat with two (2) post and one (1) brace. Assemble the two (2) post units with two (2) beams (see figure C). Skip one hole from the bottom of post, tap lightly to seat rivets.

Step 2



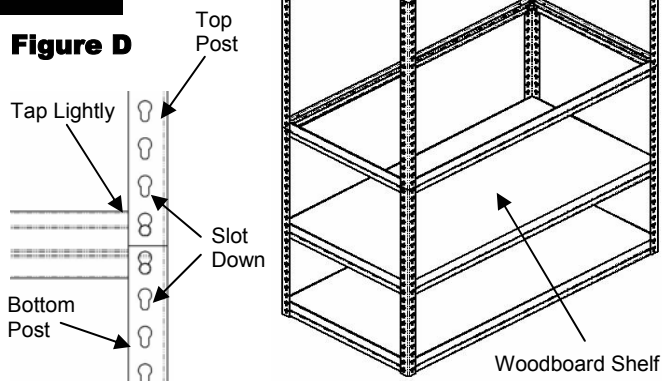
Start by adding a woodboard shelf to the level previously built, then continue working by adding the second level using two (2) beams and two (2) braces in the post slots of your desired location. Again place the rivets of the beams and braces into the post slots with the shelf ledge facing up and tap lightly to seat the rivets.

IMPORTANT NOTE : Make sure all rivets are fully seated into the post slots.

Step 3

Note: Post are directional. The slot must point down.

Figure D



Add a woodboard shelf to the previously built level, then assemble the top post to the bottom post by using two (2) beams and two (2) braces. One (1) rivet from each beam and brace must be placed in the top hole of the bottom post, and the bottom hole of the top post (see figure D). After all beams and braces are in place, tap lightly to properly seat the rivets.

Step 4

Figure F

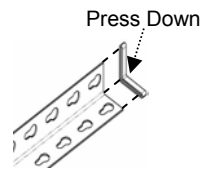
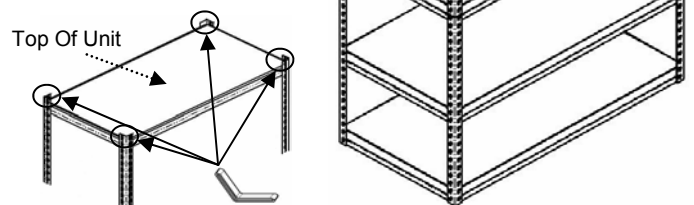


Figure E



Add a woodboard shelf to the previously built level, then continue by adding the fourth and fifth level to the unit using two (2) beams and two (2) braces per level. Tap lightly to properly seat the rivets and add the final woodboard shelves to the unit. Install all four (4) end caps to the top of the unit after assembly has been completed (see figure E). Install end caps to post by pressing down on end cap at the three points illustrated above (see figure F).