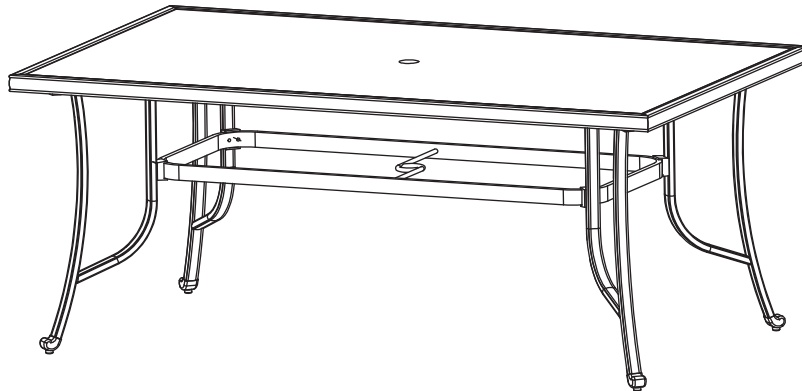


USE AND CARE GUIDE

WILSHIRE HEIGHTS 7-PC DINING SET (Table Assembly)



Questions, problems, missing parts? Before returning to the store,
call Home Decorators Collection Customer Service
8 a.m. - 7 p.m., EST, Monday - Friday, 9 a.m. - 6 p.m., EST, Saturday

1-800-986-3460

HOMEDEPOT.COM/HOMEDECORATORS

THANK YOU

We appreciate the trust and confidence you have placed in Home Decorators Collection through the purchase of this dining set. We strive to continually create quality products designed to enhance your home. Visit us online to see our full line of products available for your home improvement needs. Thank you for choosing Home Decorators Collection!

Table of Contents

Table of Contents	2	Pre-Assembly.....	3
Important Safety Instructions	2	Planning Assembly.....	3
Warranty	2	Hardware Included.....	3
5 Year Frame and Fabric Limited Warranty	2	Package Contents	3
What Is Covered	2	Assembly.....	4
What Is Not Covered	2		
Care & Cleaning	2		

Important Safety Instructions

SAVE THESE INSTRUCTIONS



WARNING:
Do not use the table on soft ground.

READ ALL THE INSTRUCTIONS BEFORE USE

When using a furnishing, basic precautions should always be followed, including the following:

Read all the instructions before using this furnishing.

To reduce the risk of injury to persons:

- Close supervision is necessary when this furnishing is used by or near children, or disabled persons, if applicable.
- Use this furnishing only for its intended use as described in these instructions. Do not use attachments not recommended by the manufacturer.
- This table is not intended to support an umbrella. Umbrellas must have a suitable base or stand.

Warranty

5 YEAR FRAME AND FABRIC LIMITED WARRANTY

WHAT IS COVERED

We warrant the frame and fabric (if included) to be free of manufacturing defects to the original purchaser for five years.

WHAT IS NOT COVERED

It remains the customer's responsibility for the freight and packaging charges to and from our service center. This warranty does not cover commercial use, hardware, acts of nature, fire, freezing and abusive use. In addition, the purchased parts are not covered under this warranty. We reserve the right to make substitutions with similar merchandise, if the model in question is no longer in production.

Care & Cleaning

Before using, wipe with a clean, dry cloth. Do not use bleach or solvents. Treat the frame with one step liquid wax for maximum protection against UV light and salty, damp air. When not in use, store the furniture in a cool, dry place.

If your set includes cushions, they may be cleaned by hand with a mild solution of soap and water.

Rinse the cushion thoroughly and allow to drip dry. Do not machine wash or tumble dry, as the cushions may shrink.

Do not use bleach or solvents on fabrics.

When cleaning the tabletop make sure to use a soft, clean cloth that doesn't bleed color as well.

You may contact the Customer Service Team at 1-800-986-3460 or visit www.HomeDepot.com/HomeDecorators.

Pre-Assembly

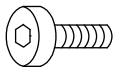
PLANNING ASSEMBLY

It will take two people about 10 minutes to complete the assembly process.

HARDWARE INCLUDED



NOTE: Hardware is not shown to actual size.



____ AA



____ BB



____ CC



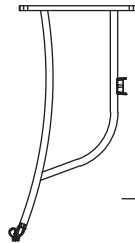
____ DD

Part	Description	Quantity
AA	Bolt (M6x28)	16
BB	Washer (D6)	16
CC	Bolt cap (M6)	16
DD	Wrench	1

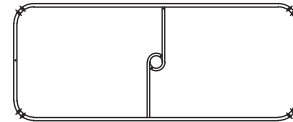
PACKAGE CONTENTS



____ A



____ B



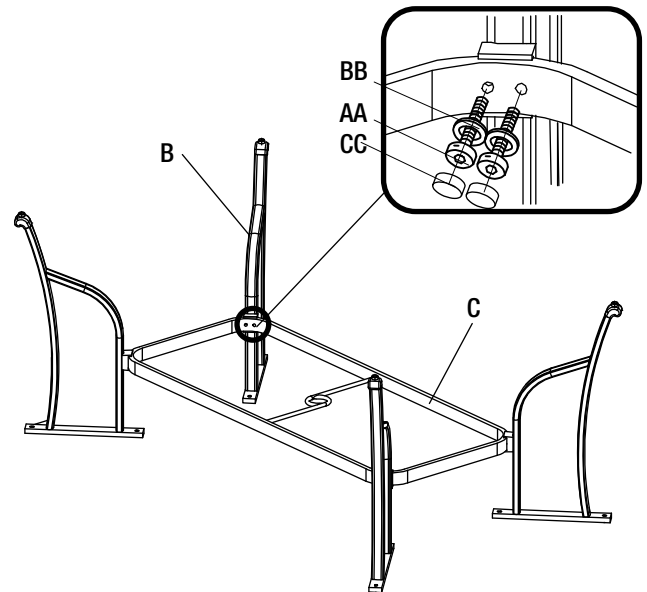
____ C

Part	Description	Quantity
AA	Table top	1
BB	Table leg	4
CC	Leg connector bracket	1

Assembly

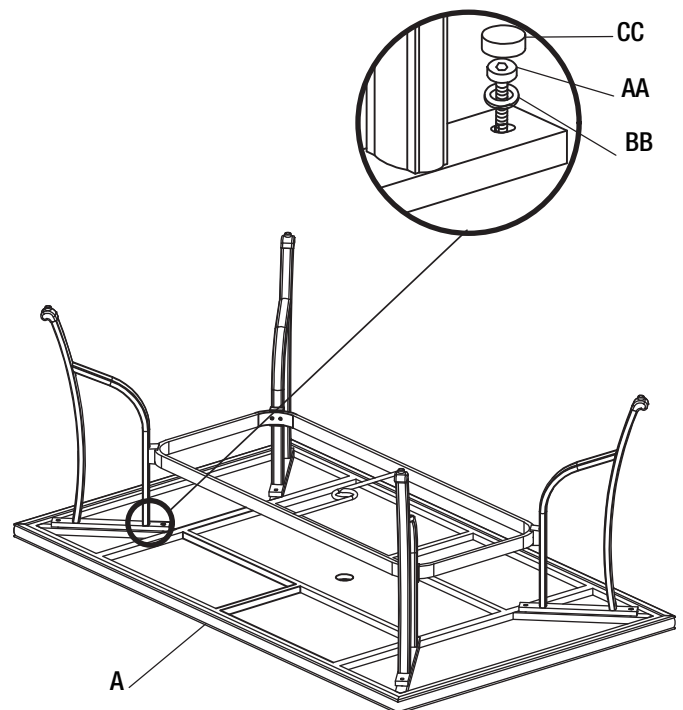
1 Assembling the table base

- Place the table legs (B) upside down on a flat, smooth surface.
- Hold the leg connector bracket (C) horizontally in the air and align the table legs (B) to it.
- Attach the table legs (B) to the leg connector bracket (C) with the washers (BB) and the bolts (AA) one by one to form a table base.
- Do not fully tighten the bolts until the end of Step 2.

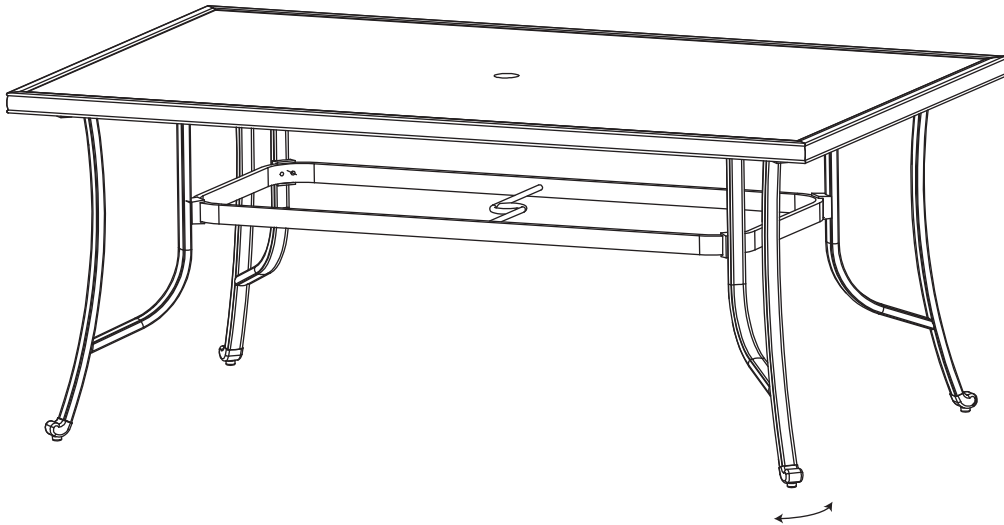


2 Attaching the table base to the table top

- Place the table top (A) upside down on a flat, smooth surface.
- Align the table base to the table top by adjusting the location of each table leg.
- Attach the table legs to the table top with the washers (BB) and the bolts (AA) using hex wrench (DD).
- Fully tighten all the bolts (AA) once all the bolts are in place.
- Cover all the bolts with the bolt caps (CC).



2 Stabilizing the table



- Turn the table upright.
- Level the table with foot glides if necessary.



IMPORTANT:

Please have an umbrella base ready if you plan to set up an umbrella in the center of the table top.



IMPORTANT:

Please always close or take down the umbrella after use. Failure to do so will possibly damage the table. This kind of damage is not covered under the limited warranty.

**HOME
DECORATORS
COLLECTION®**

Questions, problems, missing parts? Before returning to the store,
call Home Decorators Collection Customer Service
8 a.m. - 7 p.m., EST, Monday - Friday, 9 a.m.- 6 p.m., EST, Saturday

1-800-986-3460

HOMEDEPOT.COM/HOMEDECORATORS

Retain this manual for future use.