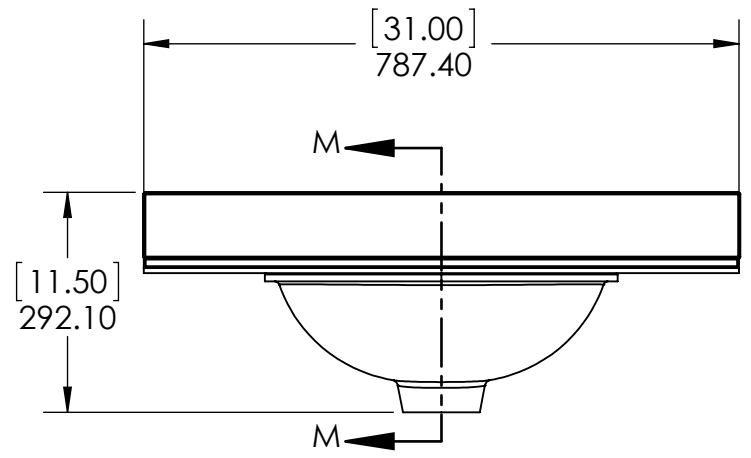
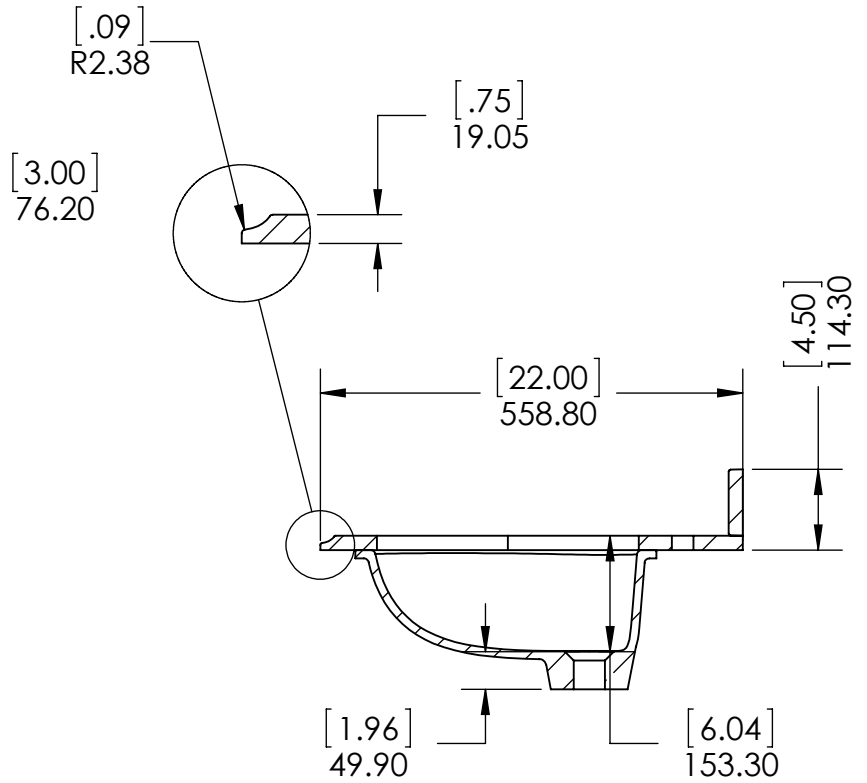
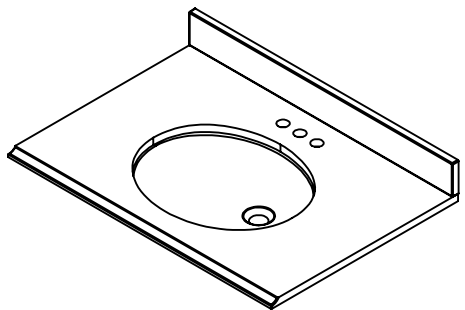
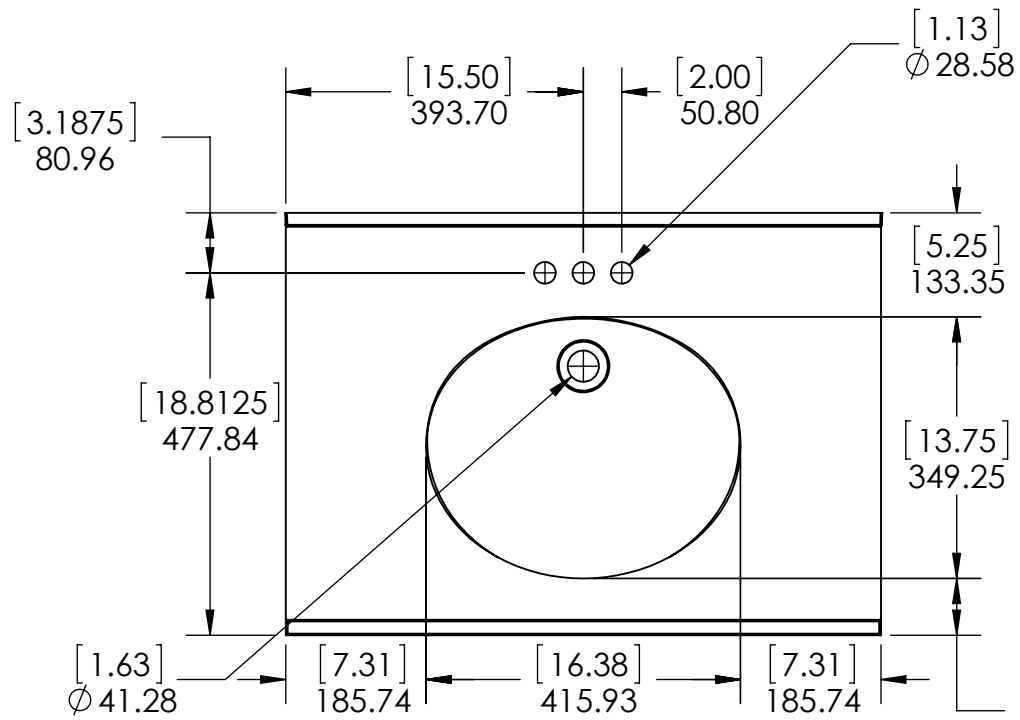


Rev #	Approved by	Change
0	R. Rubio	Released



PROPRIETARY AND CONFIDENTIAL
 THE INFORMATION CONTAINED IN THIS DRAWING IS THE SOLE PROPERTY OF WOODCRAFTERS. ANY REPRODUCTION IN PART OR AS A WHOLE WITHOUT THE WRITTEN PERMISSION OF WOODCRAFTERS IS PROHIBITED.

UNLESS OTHERWISE SPECIFIED
 DIMENSIONS ARE IN MM. AND (INCHES)
 TOLERANCES ARE
 +0.125 [3.175] -0.125 [-3.175]
 SCALE:1:10

	NAME	DATE
DRAWN	R. Rubio	08/22/16
CHECKED	R. Rubio	08/22/16
ENG APPR.	R. Rubio	08/22/16
MFG APPR.	C. Leal	08/22/16

Wood Crafters
 Vtop Stone Effect, Oval 31x22

SIZE DWG. NO. **A** SHEET 1 OF 3 REV: **0**

ID	Description	Technology	Status
SEO31-AV	31 in. Stone Effects Vanity Top in Avalon with White Basin	Stone Effect	Approved for production
SEO31-CO	31 in. Stone Effects Vanity Top in Cold Fusion with White Basin	Stone Effect	Approved for production
SEO31-DN	31 in. Stone Effects Vanity Top in Dune with White Basin	Stone Effect	Approved for production
SEO31-MI	31 in. Stone Effects Vanity Top in Mayan Ivory with White Basin	Stone Effect	Approved for production
SEO31-RU	31 in. Stone Effects Vanity Top in Rustic Gold with White Basin	Stone Effect	Approved for production
SEO31-SN	31 in. Stone Effects Vanity Top in SandShell with White Basin	Stone Effect	Approved for production
SEO31-WM	31 in. Stone Effects Vanity Top in Winter Mist with White Basin	Stone Effect	Approved for production
CPO31-MA	Vtop Color Point, Oval 31x22 - Maui	Color Point	Approved for production
SSO31-GI	Vtop Solid Surface Oval 31x22 - Ginger	Solid Surface	Approved for production

Rev #	Approved by	Change
0	R. Rubio	Released

PROPRIETARY AND CONFIDENTIAL
 THE INFORMATION CONTAINED IN THIS DRAWING IS THE SOLE PROPERTY OF WOODCRAFTERS. ANY REPRODUCTION IN PART OR AS A WHOLE WITHOUT THE WRITTEN PERMISSION OF WOODCRAFTERS IS PROHIBITED.

UNLESS OTHERWISE SPECIFIED
 DIMENSIONS ARE IN MM. AND [INCHES]
 TOLERANCES ARE
 + 0.125 [3.175] - 0.125 [-3.175]
 SCALE:1:10

	NAME	DATE
DRAWN	R. Rubio	08/22/16
CHECKED	R. Rubio	08/22/16
ENG APPR.	R. Rubio	08/22/16
MFG APPR.	C. Leal	08/22/16

		SIZE	DWG. NO.	SHEET 2 OF 3
		A	Vtop Stone Effect, Oval 31x22	REV: 0

ID	Description	Technology	Status
SEO3122 COM-BO	SE 31x22 UMO Bordeaux .COM	Stone Effect	Approved for production
SEO3122 COM-TU	SE 31x22 UMO Tuscan Sun .COM	Stone Effect	Approved for production
SEO3122 COM-Y- OA	SE 31x22 UMO Oasis COM YOW	Stone Effect	Approved for production
SEO3122 COM-Y- STC	SE 31x22 UMO Santa Cecilia COM YOW	Stone Effect	Approved for production
SEO3122 COM-BO	SE 31x22 UMO Bordeaux .COM	Stone Effect	Approved for production
SEO3122 COM-CS	SE 31x22 UMO Cascade .COM	Stone Effect	Approved for production
SEO3122 COM-OA	31in. x 22in. Stone Effects Vanity Top in Oasis	Stone Effect	Approved for production
SEO3122 COM-STC	31in. x 22in. Stone Effects Vanity Top in Santa Cecilia	Stone Effect	Approved for production
SEO3122 COM-TU	SE 31x22 UMO Tuscan Sun .COM	Stone Effect	Approved for production
SEO3122 COM-Y- OA	SE 31x22 UMO Oasis COM YOW	Stone Effect	Approved for production

Rev #	Approved by	Change
0	R. Rubio	Released

PROPRIETARY AND CONFIDENTIAL
 THE INFORMATION CONTAINED IN THIS DRAWING IS THE
 SOLE PROPERTY OF WOODCRAFTERS. ANY
 REPRODUCTION IN PART OR AS A WHOLE WITHOUT THE
 WRITTEN PERMISSION OF WOODCRAFTERS IS PROHIBITED.

UNLESS OTHERWISE SPECIFIED
 DIMENSIONS ARE IN MM.
 AND (INCHES)
 TOLERANCES ARE
 + 0.125 [3.175] - 0.125 [-3.175]
 SCALE:1:10

	NAME	DATE
DRAWN	R. Rubio	08/22/16
CHECKED	R. Rubio	08/22/16
ENG APPR.	R. Rubio	08/22/16
MFG APPR.	C. Leal	08/22/16


Wood Crafters

SIZE DWG. NO. SHEET 3 OF 3
A Vtop Stone Effect, Oval 31x22 REV: **0**