



# FRIGIDAIRE

## Factory Parts Catalog

<b>Product No.</b>	<b>FFHT2045VB0</b>	<b>FFHT2045VD0</b>	<b>FFHT2045VS0</b>	<b>FFHT2045VW0</b>
<b>Color</b>	black	black stainless	stainless	white
<b>Volts</b>	115	115	115	115
<b>Wiring Diagram</b>	A15972201	A15972201	A15972201	A15972201
<b>Owner's Guide</b>	A13110304	A13110304	A13110304	A13110304
<b>Market</b>	North America	North America	North America	North America
<b>Energy Guide</b>	A06191452	A06191452	A06191452	A06191452
<b>Service Data Sheet</b>	A16319701	A16319701	A16319701	A16319701
<b>Ice Maker</b>	IM117000	IM117000	IM117000	IM117000

### Frigidaire

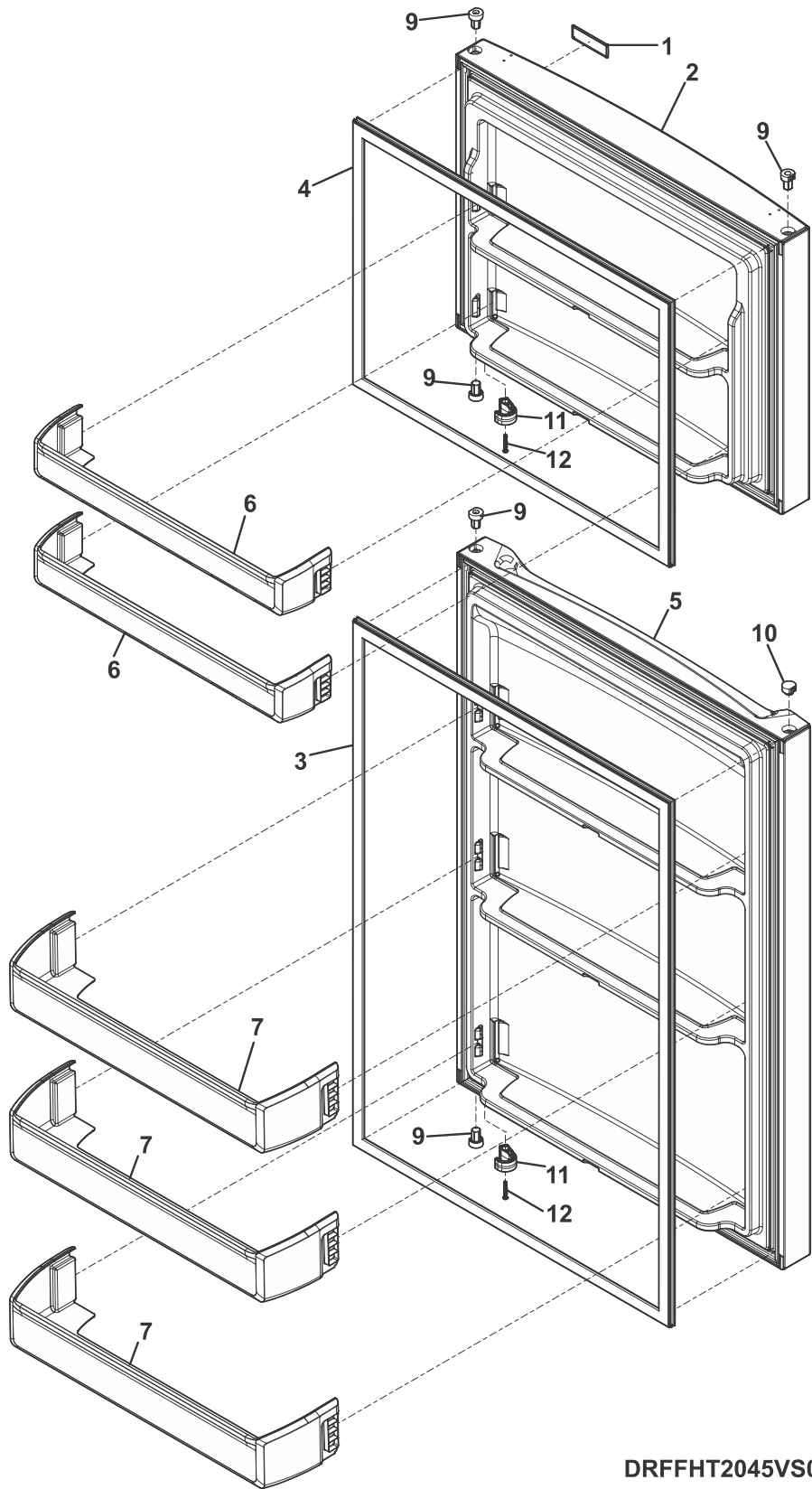
P.O. BOX 8020  
CHARLOTTE, NC 28262

### TOP-MOUNT REFRIGERATOR

Model No.  
FFHT2045V

Publication No.  
**5995719951**  
20/02/04  
(EN/SERVICE/CW)  
390

DOOR



DRFFHT2045VS0

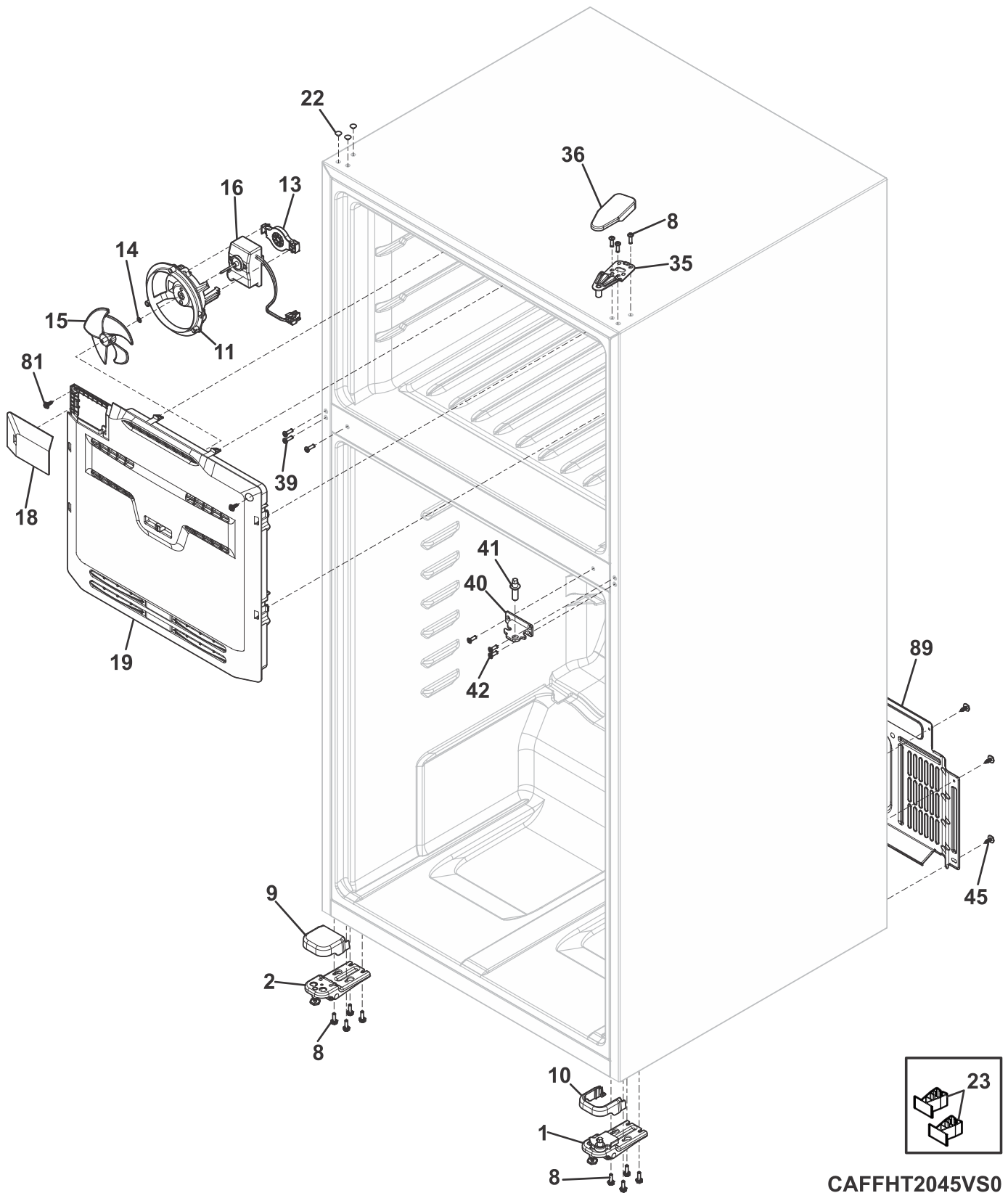
## DOOR

---

**Model Index:**   **A** FFHT2045V (FFHT2045VB0)  
                       **B** FFHT2045V (FFHT2045VD0)  
                       **C** FFHT2045V (FFHT2045VS0)  
                       **D** FFHT2045V (FFHT2045VW0)

POS. NO	PART NO.		DESCRIPTION
1	5304511145	A - - -	Badge, Frigidaire, black
1	5304510903	- B - -	Nameplate, black stainless
1	5304511146	- - C -	Badge, Frigidaire, chrome
1	5304511144	- - - D	Badge, Frigidaire, white
2	5304522117	A - - -	Door Assembly, freezer, black
2	5304524052	- B - -	Door Assembly, freezer, black stainless
2	5304522118	- - C -	Door Assembly, freezer, stainless
2	5304519700	- - - D	Door Assembly, freezer, white
3 #	5304522312	A - - -	Gasket, door, black, refrigerator
3 #	5304523138	- B C D	Gasket, door, gray, refrigerator
4 #	5304522313	A - - -	Gasket, door, black, freezer
4 #	5304523139	- B C D	Gasket, door, gray, freezer
5	5304522120	A - - -	Door Assembly, refrigerator, black
5	5304524053	- B - -	Door Assembly, refrigerator, stainless
5	5304522121	- - C -	Door Assembly, refrigerator, stainless
5	5304519701	- - - D	Door Assembly, refrigerator, white
6	5304524054	A B C D	Bin, door, white, freezer
7	5304524055	A B C D	Bin, door, 6", refrigerator
9	5304522193	A B - -	Bearing, hinge, black
9	5304522194	- - C -	Bearing, hinge, gray
9	5304519757	- - - D	Bearing, hinge, white
10	5304522186	A - - -	Cover, hinge bearing, black
10	5304522187	- B C -	Cover, hinge bearing, gray
10	5304519747	- - - D	Cover, hinge bearing, white
11	5304522237	A B - -	Hook, door closer, black
11	5304522238	- - C -	Hook, door closer, gray
11	5304519789	- - - D	Hook, door closer, white
12	241953905	A B C D	Screw, 8-18 X 1.25

**CABINET**



CAFFHT2045VS0

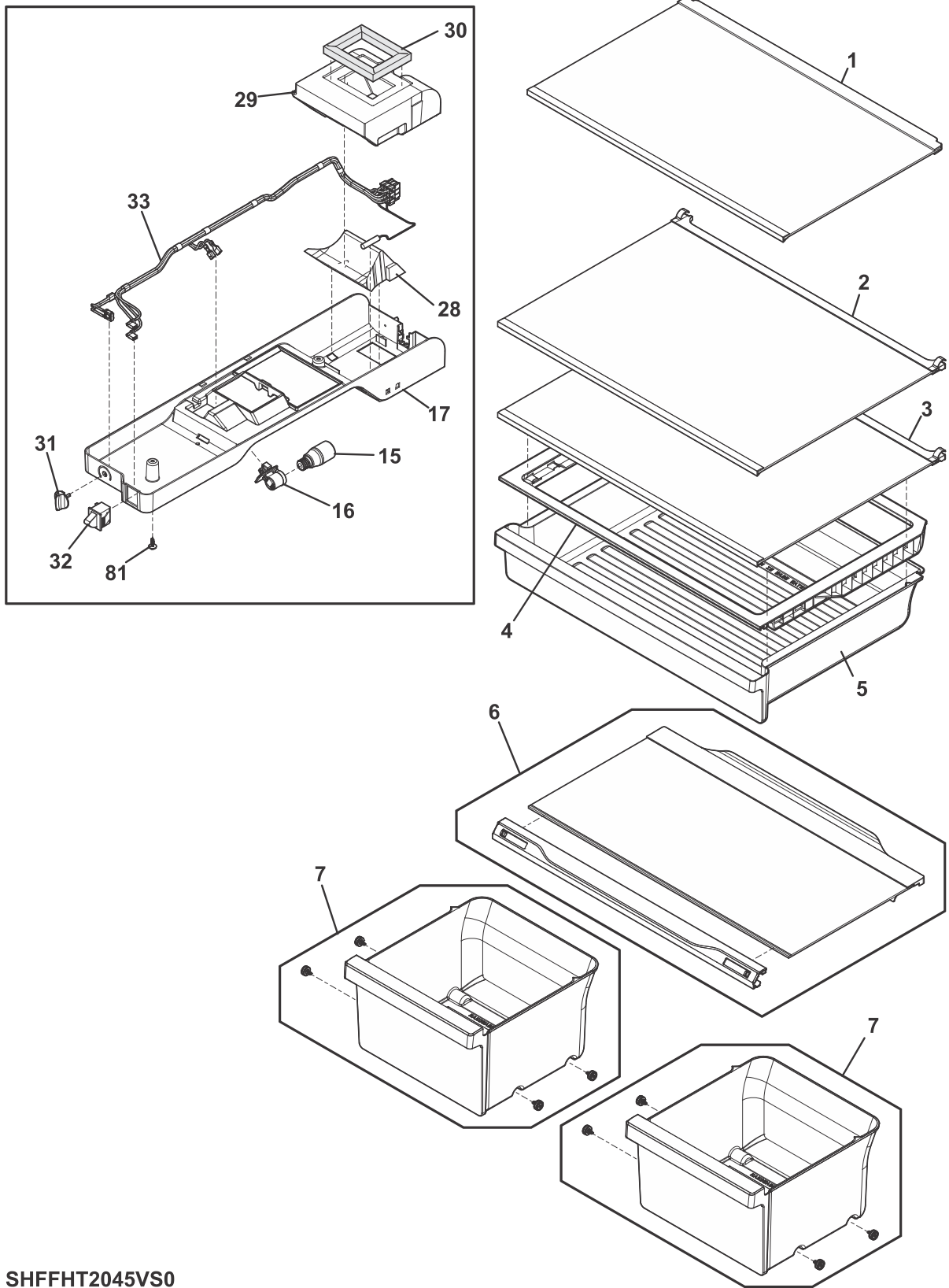
## CABINET

---

**Model Index:**   **A** FFHT2045V (FFHT2045VB0)  
                       **B** FFHT2045V (FFHT2045VD0)  
                       **C** FFHT2045V (FFHT2045VS0)  
                       **D** FFHT2045V (FFHT2045VW0)

POS. NO	PART NO.		DESCRIPTION
1	5304522218	A B - -	Hinge Assembly, bottom, black, RH, w/pin-closer
1	5304522219	- - C -	Hinge Assembly, bottom, RH, w/pin-closer
1	5304519775	- - - D	Hinge Assembly, bottom, white, RH, w/pin-closer
2	5304519776	A B C D	Hinge Assembly, bottom, LH
8	5304522279	A B C D	Screw, hex wsh hd quad, M5 x 16
9	5304522220	A - - -	Cover, hinge, black, lower, non hinged
9	5304522221	- B C -	Cover, hinge, gray, lower, non-hinged
9	5304519777	- - - D	Cover, hinge, white, lower, non hinged
10	5304522245	A - - -	Cover, hinge side, black, lower
10	5304522246	- B C -	Cover, hinge side, gray, lower
10	5304522244	- - - D	Cover, hinge side, white, lower
11	5304519752	A B C D	Shroud, evaporator fan
13	242287501	A B C D	Grommet, evaporator fan, rear
14	215474201	A B C D	Washer, "slinger", nylon, evap fan shaft
15	242219302	A B C D	Fan Blade, evaporator
16 #	242219206	A B C D	Motor, evaporator fan, blower
18	5304519662	A B C D	Cover, I/M Connector
19	5304519654	A B C D	Cover Assembly, evaporator, w/frz slide
22	215774922	A B C D	Plug, button, gray, upr hinge holes
23	5304523302	A B C D	Clip, wiring harness
35	5304519646	A B C D	Hinge, door, upper
36	5304520521	A - - -	Cover, upper hinge, black
36	5304520516	- B C -	Cover, upper hinge, gray
36	5304519784	- - - D	Cover, upper hinge, white
39	5304522252	A - - -	Screw, pan hd qdrx tri, M5 x 12, black
39	5304519797	- B - D	Screw, pan hd qdrx tri, M5 x 12, chrome
39	5304522253	- - C -	Screw, pan hd qdrx tri, M5 x 12
40	5304522099	A - - -	Hinge, door, black, center
40	5304522100	- B C -	Hinge, door, gray, center
40	5304519647	- - - D	Hinge, door, white, center
41	5304519642	A B C D	Pin, center hinge, door
42	5304522282	A B C D	Screw, fit hd qdrx, M5 x 16, gray
45	241500304	A B C D	Screw, hex washer head, 8-18AB x 0.625
81	5304519765	A B C D	Screw, hx wash hd, M4.2 x 12
89	5304522114	A B C D	Access Cover, rear

**SHELVES**



**SHFFHT2045VS0**

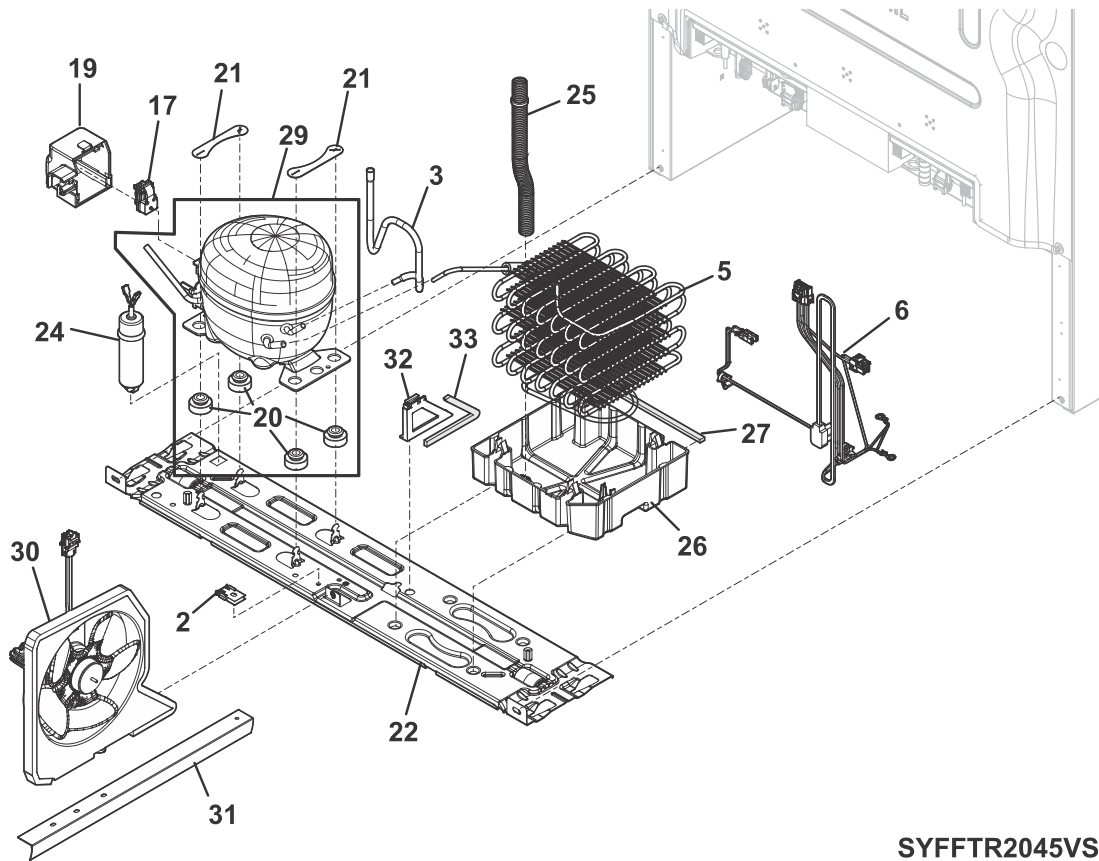
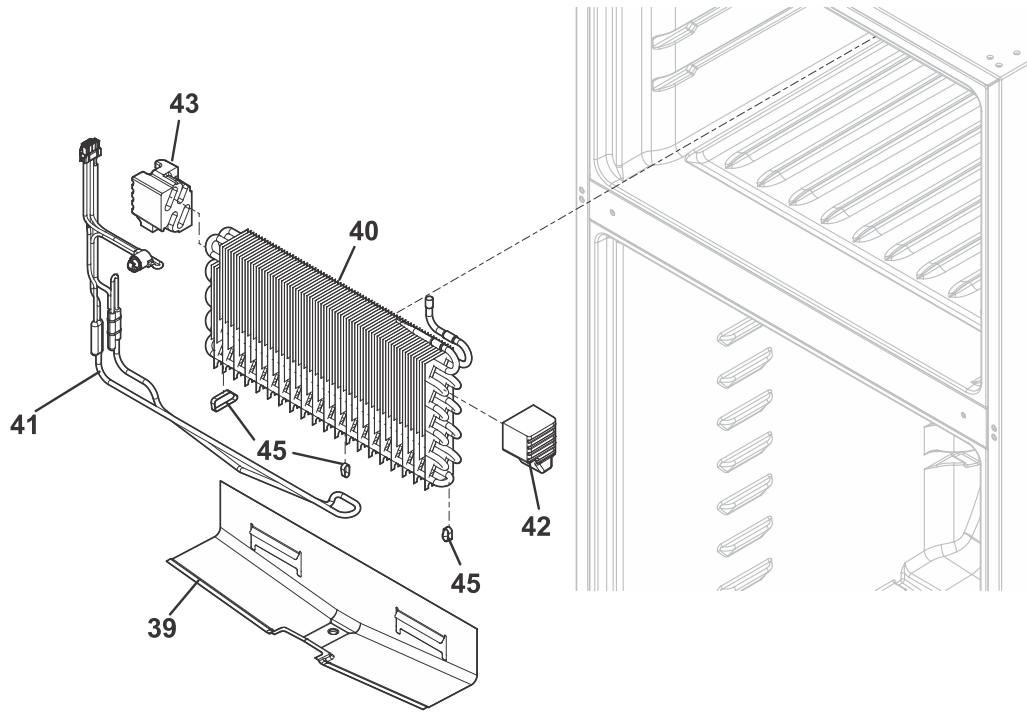
## SHELVES

---

Model Index: **A** FFHT2045V (FFHT2045VB0)  
**B** FFHT2045V (FFHT2045VD0)  
**C** FFHT2045V (FFHT2045VS0)  
**D** FFHT2045V (FFHT2045VW0)

POS. NO	PART NO.		DESCRIPTION
1	5304524025	A B C D	Shelf Assembly, freezer, glass, w/trim
2	5304524073	A B C D	Shelf Assembly, refrigerator, glass, w/trim
3	5304524091	A B C D	Shelf Assembly, refrigerator, glass, deli drawer, w/trim
4	5304524136	A B C D	Carriage, deli drawer, fill width
5	5304524137	A B C D	Drawer, deli, full width
6	5304519729	A B C D	Cover Assembly, crisper, glass, w/trim
7	5304522242	A B C D	Pan Assembly, crisper, w/rollers
15	5304522314	A B C D	BULB, light, E17/12 LED
16 #	5304522315	A B C D	Socket, LED light
17	5304524322	A B C D	Housing, control box
28	5304522317	A B C D	Diffuser, control box, bottom
29	5304522318	A B C D	Diffuser, control box, top
30	5304520493	A B C D	Seal, air duct, top
31	5304522319	A B C D	Knob, control
32	5304520495	A B C D	Switch, door/light, white
33	5304522320	A B C D	Harness, wiring, control box, w/temp sensor
81	5304519765	A B C D	Screw, hx wash hd, M4.2 x 12

**SYSTEM**



**SYFFTR2045VS0**



## SYSTEM

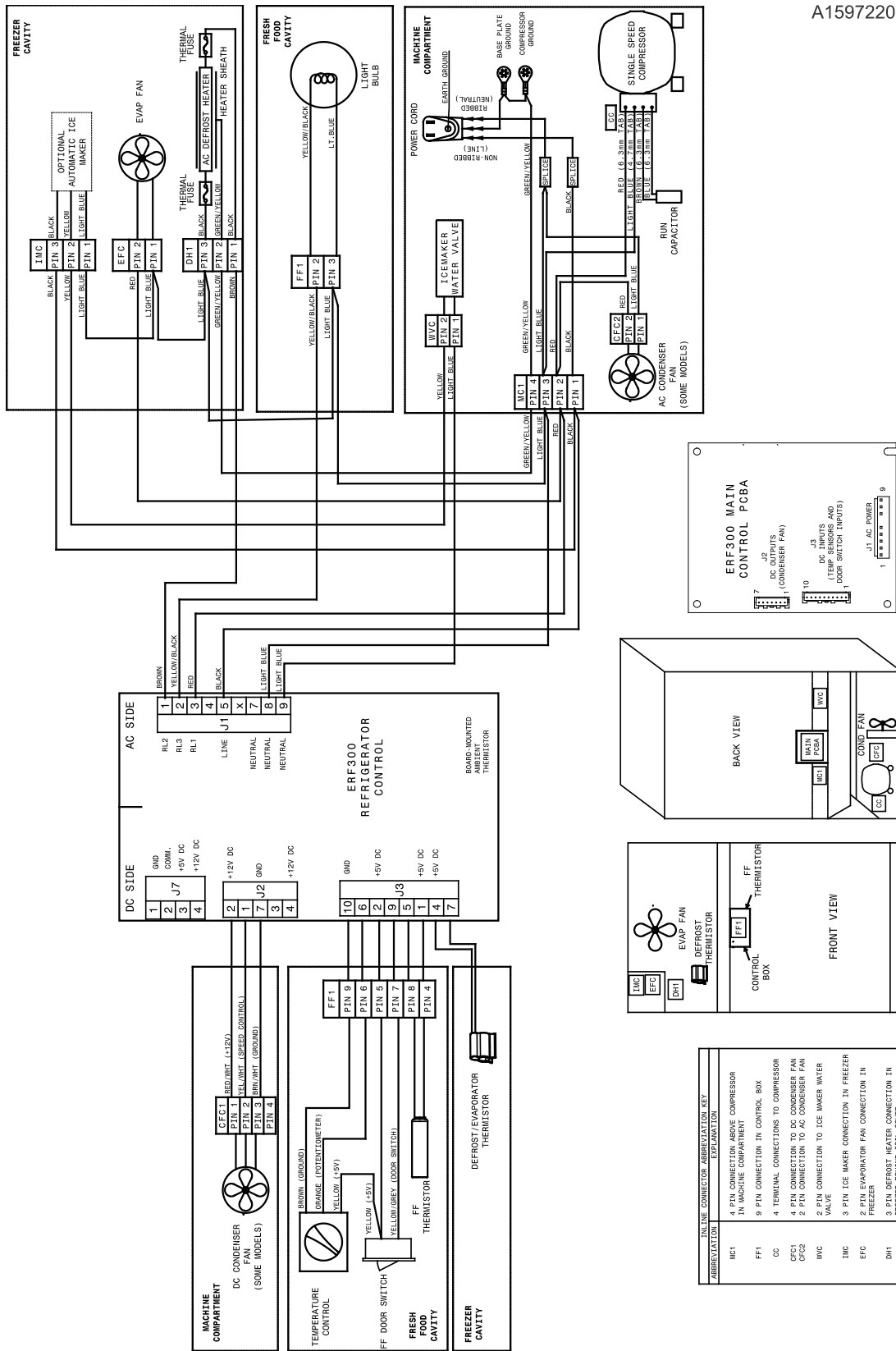
---

**Model Index:**   **A** FFHT2045V (FFHT2045VB0)  
                       **B** FFHT2045V (FFHT2045VD0)  
                       **C** FFHT2045V (FFHT2045VS0)  
                       **D** FFHT2045V (FFHT2045VW0)

POS. NO	PART NO.		DESCRIPTION
2	5304456288	A B C D	Clamp, wiring harness, galv steel, strn relief
3 #	5304522111	A B C D	Tube, suction jumper
5 #	5304519669	A B C D	Condenser, dynamic
6 #	5304519649	A B C D	Harness, wiring, machine compt.
13 #	5303918645	A B C D	Thermistor kit, evaporator, w/connector
15 #	5304522211	A B C D	PC Board, assembly, main, w/housing
17 #	5304522269	A B C D	Starter, compressor, TSD 2.1
19	5304522311	A B C D	Cover, electricals, compressor
20	5304522323	A B C D	Grommet, compressor
21	811998601	A B C D	Clamp, compressor, 2 hole
22	5304519667	A B C D	Base Assembly, compressor, w/rollers
24 #	5304522105	A B C D	Capacitor, run, 12uF
25	5304519743	A B C D	Tube, drain extension
26	5304519674	A B C D	Pan, drain
27	5304519750	A B C D	Seal, foam, drain pan
29 #	5304522265	A B C D	Compressor, assembly, w/grommets
30 #	5304522173	A B C D	Fan Assembly, condenser, w/shroud-foam
31	5304519668	A B C D	Baffle, divider, high side
32	5304519745	A B C D	Baffle, drain pan, air block
33	5304519751	A B C D	Seal, foam, air block
39	5304519679	A B C D	Trough, evap drain
40 #	5304522324	A B C D	Evaporator, assembly
41 #	5304522325	A B C D	Heater, defrost
42	5304522326	A B C D	Support, evaporator, RH
43	5304522327	A B C D	Support, evaporator, LH
45	5308000110	A B C D	Strap-evap/heater, aluminum, (2)
*	240433204	A B C D	Screw, hex washer head, 8-18 x 5/16
*	241500304	A B C D	Screw, hex washer head, 8-18AB x 0.625

WIRING SCHEMATIC

A15972201



ABBREVIATION	ABBREVIATION KEY	EXPLANATION
MCI	PIN CONNECTION TO COMPRESSOR IN MACHINE COMPARTMENT	
FF1	PIN CONNECTION IN CONTROL BOX	
CC	TERMINAL CONNECTIONS TO COMPRESSOR	
CFC1	PIN CONNECTION TO DC CONDENSER FAN	
CFC2	PIN CONNECTION TO AC CONDENSER FAN	
IWC	PIN CONNECTION TO ICE MAKER WATER VALVE	
IWC	PIN ICE MAKER CONNECTION IN FREEZER	
EFC	PIN EVAPORATOR FAN CONNECTION IN FREEZER	
DHT	PIN DEFROST HEATER CONNECTION IN FREEZER BEHIND COIL COVER	

