

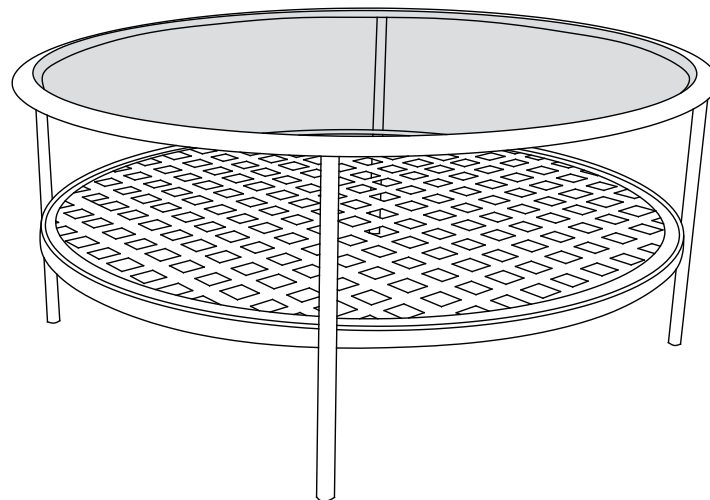


Item #639358
Model #HD14500

USE AND CARE GUIDE

5-PIECE LYNNFIELD CHAT SET

(40 in. Round Chat Table)



Questions, problems, missing parts? Before returning to the store,
call Hampton Bay Customer Service
8:00 a.m. - 6:00 p.m., EST, Monday-Friday

1-855-HD-HAMPTON

HAMPTONBAY.COM

THANK YOU


We appreciate the trust and confidence you have placed in Hampton Bay through the purchase of this chat set. We strive to continually create quality products designed to enhance your home. Visit us online to see our full line of products available for your home improvement needs. Thank you for choosing Hampton Bay!

Table of Contents

| | | | |
|--------------------------|---|------------------------|---|
| Table of Contents..... | 2 | Pre-Assembly..... | 3 |
| Safety Information..... | 2 | Planning Assembly..... | 3 |
| Warranty..... | 2 | Hardware Included..... | 3 |
| 2 Year Frame | | Package Contents..... | 4 |
| Limited Warranty..... | 2 | Assembly..... | 5 |
| What Is Covered..... | 2 | | |
| What Is Not Covered..... | 2 | | |
| Care Instructions | 2 | | |

Safety Information

 **DANGER:** Please keep children out of the assembly area before assembly.

 **WARNING:** Do not sit or stand on the table.

 **WARNING:** Do not put heavy objects on the table.

 **CAUTION:** Use the table on flat ground only.

 **IMPORTANT:** Please check the tightness of the bolts at least every 90 days.

 **NOTE:** Level the table with glides at the bottom of each leg.

Warranty

2 YEAR FRAME LIMITED WARRANTY

WHAT IS COVERED

We warrant the frame to be free of manufacturing defects to the original purchaser for two years.

WHAT IS NOT COVERED

It remains the customer's responsibility for freight and packaging charges to and from our service center. This warranty does not cover commercial use, hardware, acts of nature, fire, freezing and abusive use. In addition, purchased parts are not covered under this warranty. We reserve the right to make substitutions with similar merchandise, if the model in question is no longer in production.

Care Instructions

Before using, wipe with a clean, dry cloth. Do not use bleach or solvents. Treat the frame with liquid wax for maximum protection against UV light and salty, damp air. When not in use, store furniture in a cool, dry place. If your set includes cushions or mesh fabric, they may be cleaned by hand with a mild solution of soap and water. Rinse cushions thoroughly and allow to drip dry. Do not machine wash or tumble dry, as cushions may shrink. Do not use bleach or solvents on fabrics. When cleaning the tabletop make sure to use a soft, clean cloth that does not bleed color.

You may contact our customer service department with any questions by phone at 1-855-HD-HAMPTON or visit www.hamptonbay.com.

Pre -Assembly

PLANNING ASSEMBLY

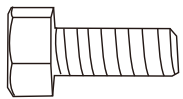
It will take two people about 10 minutes to complete the assembly process.

Assemble this product on a blanket or towel or other soft, non-abrasive surface to avoid scratching the finish.

HARDWARE INCLUDED



NOTE: Hardware not shown to actual size.



___AA



___BB



___CC

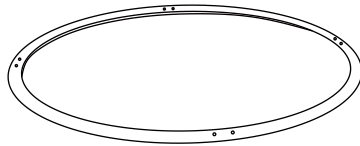


___DD

| Part | Description | Quantity |
|------|-------------------|----------|
| AA | Bolt (M6 x 15 mm) | 12 |
| BB | Metal Washer | 12 |
| CC | Plastic Bolt Cap | 12 |
| DD | Hex Wrench | 1 |

Pre-Assembly (continued)

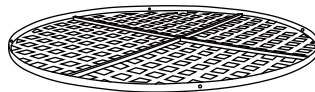
PACKAGE CONTENTS



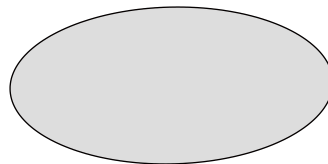
_____ **A**



_____ **B**



_____ **C**



_____ **D**

| Part | Description | Quantity |
|------|---------------|----------|
| A | Table Top Rim | 1 |
| B | Table Leg | 4 |
| C | Table Shelf | 1 |
| D | Glass | 1 |

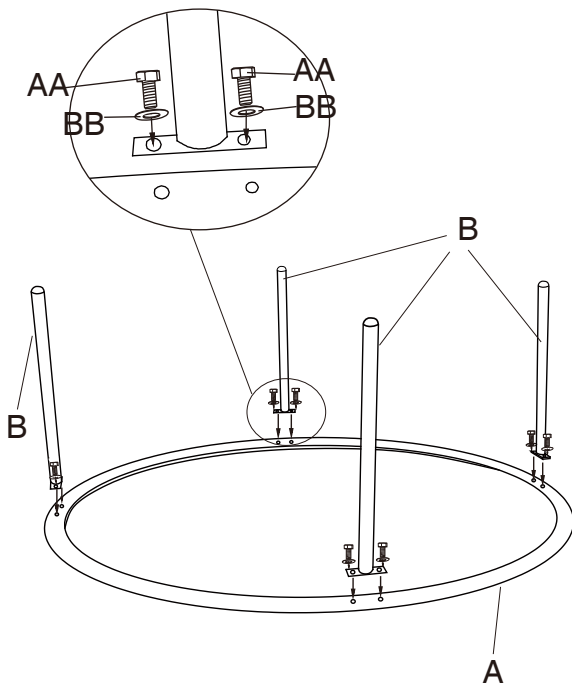
Assembly

1 Attaching the table legs to the table top rim

- Place the table top rim (A) upside down so the pre-drilled corner holes are visible. Next, attach the four table legs (B) to the table rim (A) by inserting the bolts (AA) with metal washers (BB) through the pre-drilled holes. Loosely tighten with the hex wrench (DD).



IMPORTANT: Do not tighten completely.

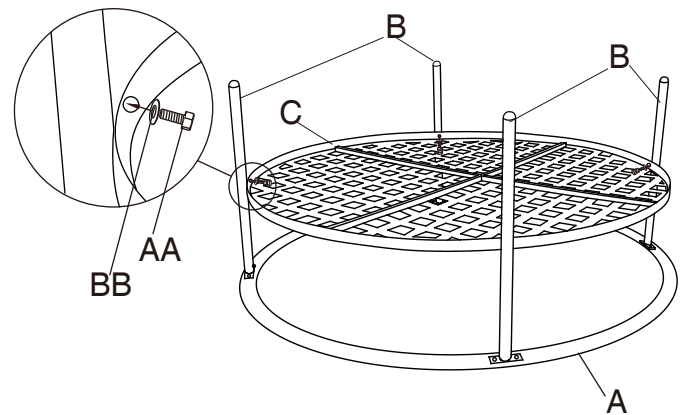


2 Assembling the table shelf to the legs

- Attach the table shelf (C) to the four legs (B) by inserting bolts (AA) with metal washers (BB) through the holes on the inside of the legs.

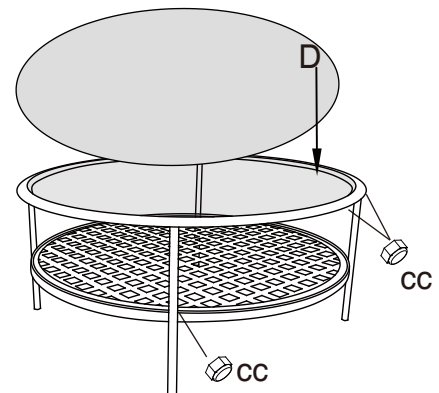


IMPORTANT: Each of the four leg bolts should be attached and initially tightened only a few revolutions. Then tighten further, one at a time, alternating between the 4 legs. Do NOT fully tighten one leg before you attach the other legs.



3 Assembling the bolt caps and placing the glass top

- Tighten all the bolts using the hex wrench (DD) and then cover them securely with the plastic bolt caps (CC).
- Turn the table in the upright position and with help, carefully place the glass top (D) onto the frame. Your table is now ready for use, so relax & enjoy!





**Questions, problems, missing parts? Before returning to the store,
call Hampton Bay Customer Service
8:00 a.m. - 6:00 p.m., EST, Monday-Friday**

1-855-HD-HAMPTON

HAMPTONBAY.COM

Retain this manual for future use.