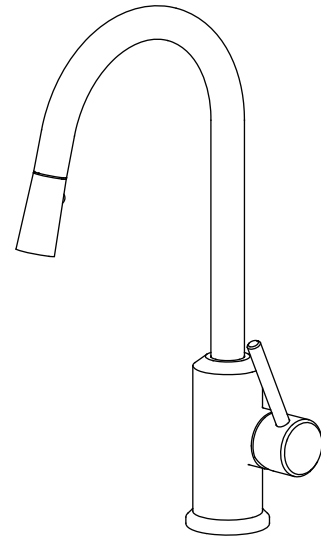


INSTALLATION INSTRUCTIONS

ST1300CH/ST1300MB

Single-lever kitchen mixer

stufurhome



Important

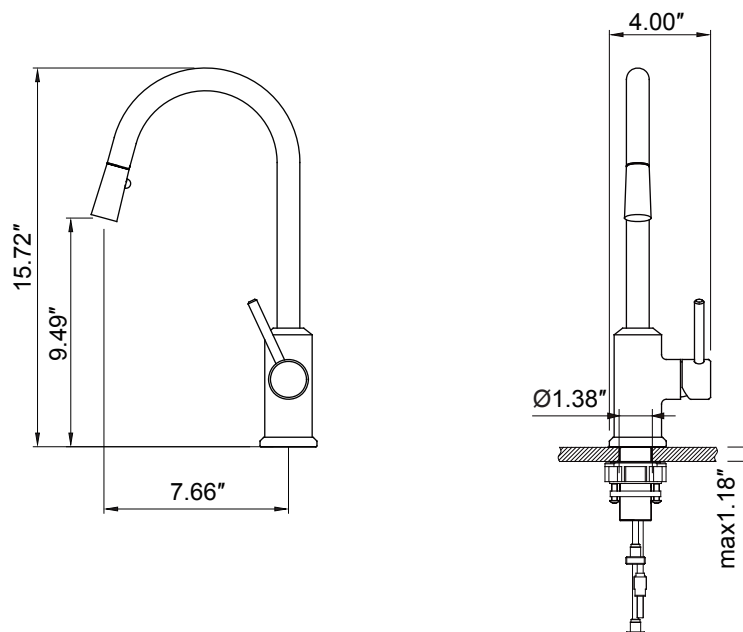
- We recommend that this product is installed by a qualified professional contractor.
- Please check this product immediately to ensure that it has not been damaged and is complete. Before installation, please make sure this product is the correct model and you have all the parts required for installation and using.
- Please flush the water system to ensure that no metal swarf, solder, and other impurities can enter the taps.
- Turn off water supply before commencing work, this should be done at the isolating valves of inlet feeds if fitted or main stopcock.
- Please read these instructions carefully and keep it for future reference.

Maintainance

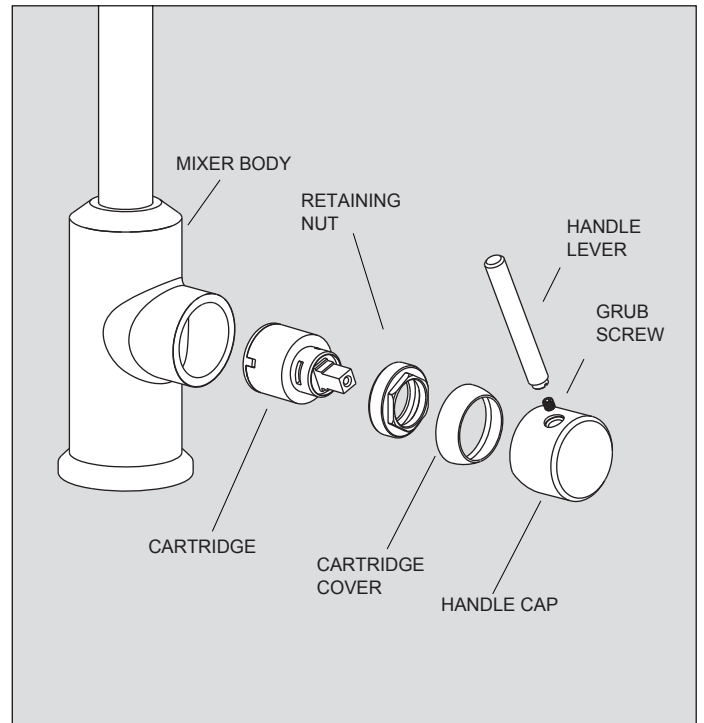
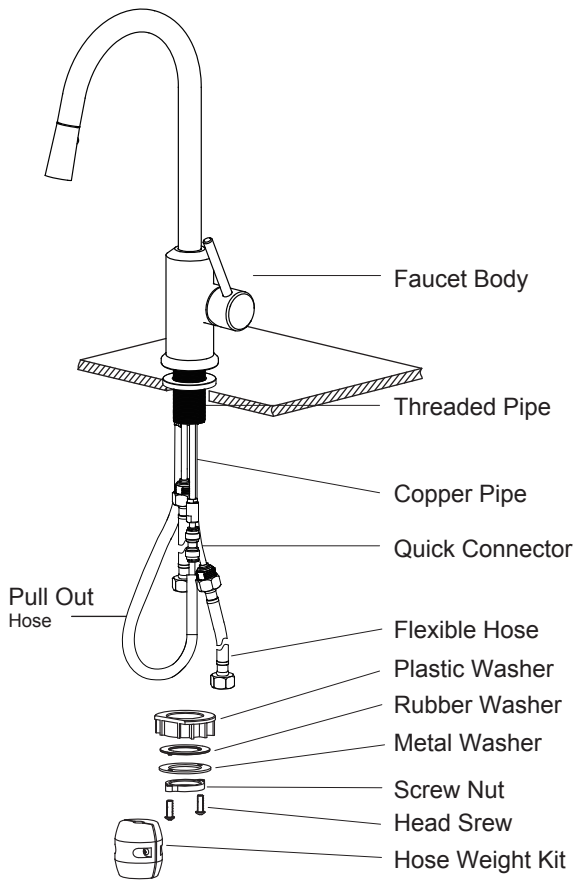
We do NOT recommend you use any household cleaners to clean the product. Because these cleaners change substance or formula too frequently. The product should be always cleaned only with soapy water and rinsed with clean water and dried with a soft cloth.

Dimensions

Unit: inches



Installation



To remove the cartridge.

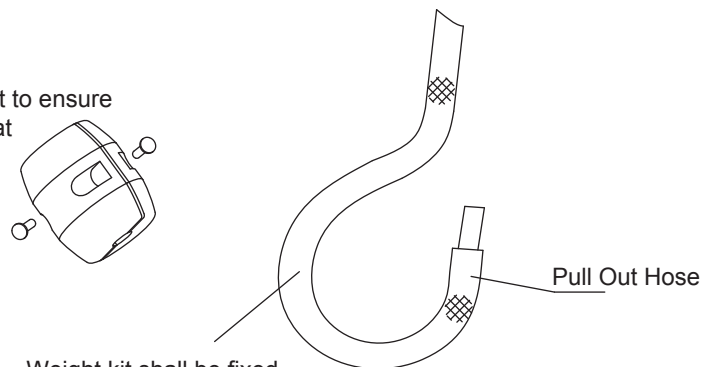
⚠ First shut off the water supply to the tap.

1. Screw out the handle lever from the cap.
2. Loosen the grub screw in handle, but do not remove it.
3. Take off the handle, unscrew the cartridge cover.
4. Using a correct size spanner unscrew the retaining nut.
5. Pull the cartridge and wash it with clean running water.
6. Dry and lightly grease the seals (only use silicone grease)
7. Replace them in turn.

1. Connect the flexible hose to the copper pipe.

2. Pass the flexible hose and threaded pipe through the counter, then place the plastic washer, rubber washer, and metal washer to the threaded pipe, tighten the screw nut. Check that the faucet body is correctly positioned and fully tighten the head screw.

3. Place the hose weight kit to the pull out hose and adjust the height to ensure that the weight kit can hang freely, then fix the weight kit. After that insert the end of the pull out hose to the quick connector.



Weight kit shall be fixed here in the hose (About 400 mm from the counter).