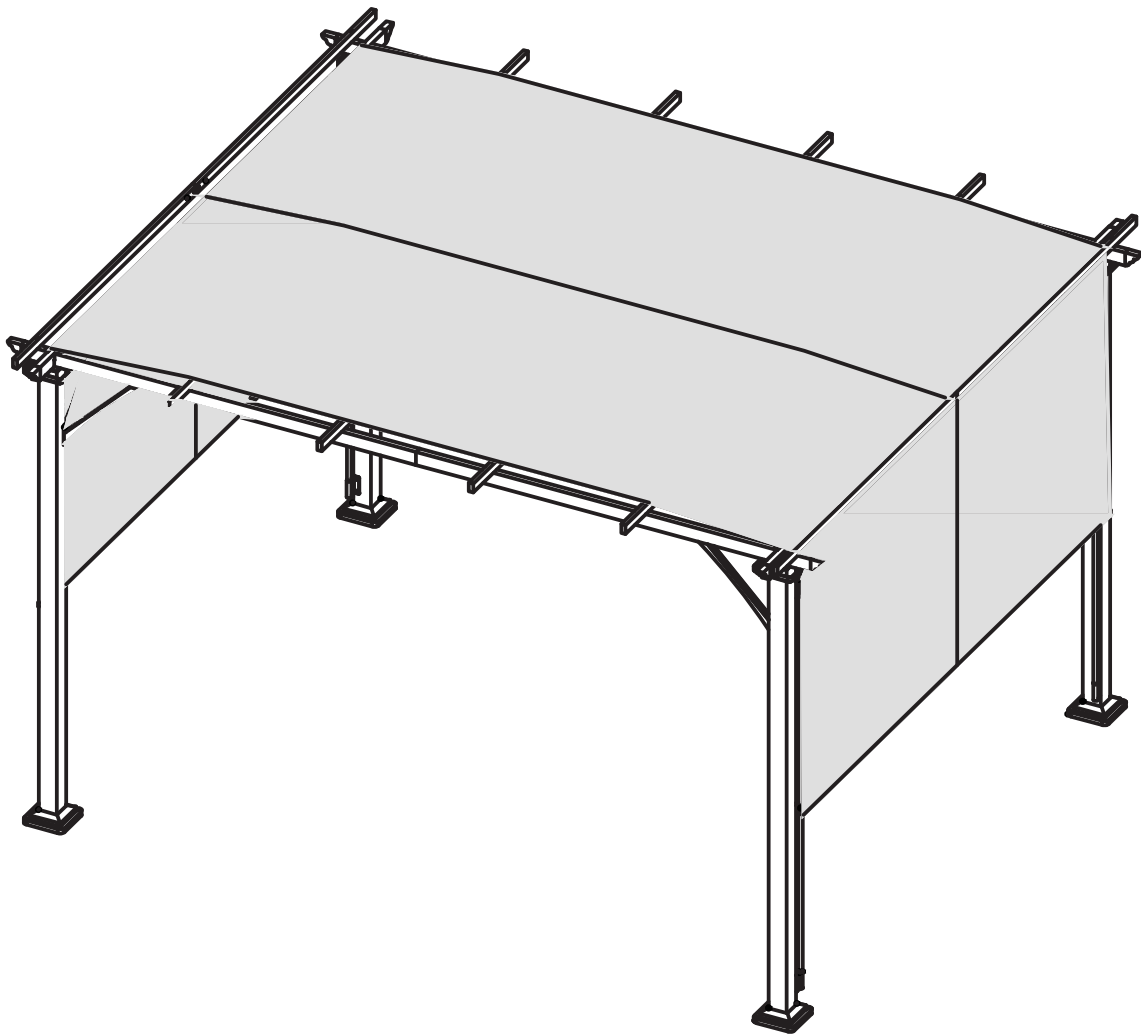




INbac002\_US

**84C-242V01**

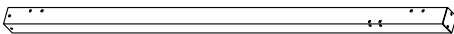
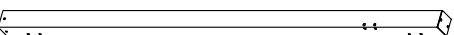
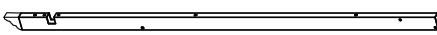
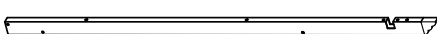
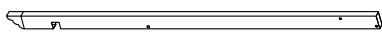


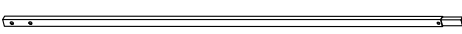

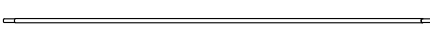



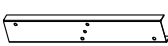
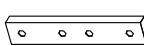

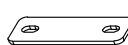
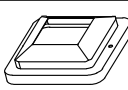
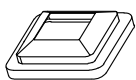
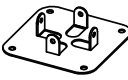



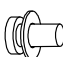
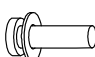

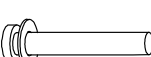


READ AND SAVE THIS INSTRUCTIONS FOR FUTURE USE

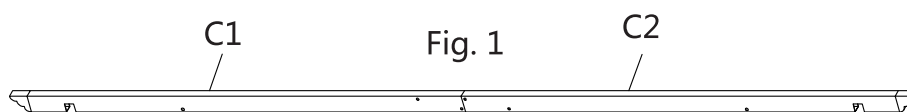
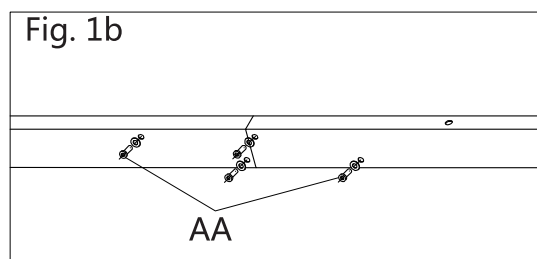
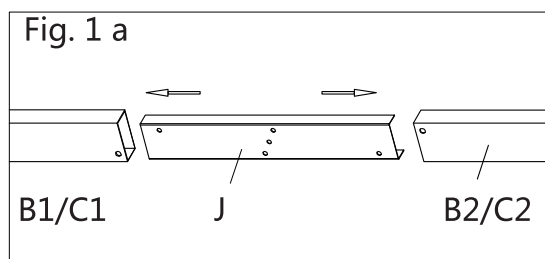
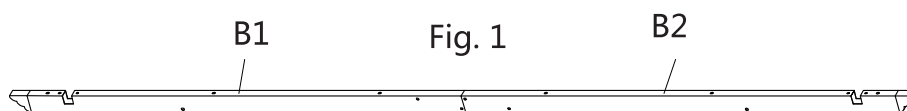
**ASSEMBLY & INSTRUCTION MANUAL**

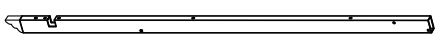
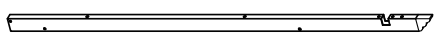


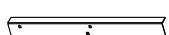
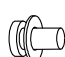
Warning: .

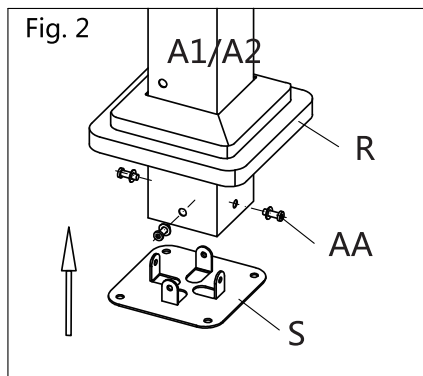
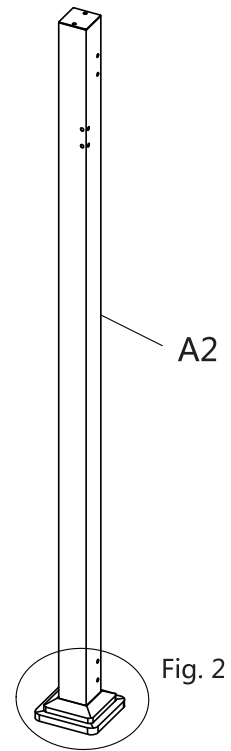
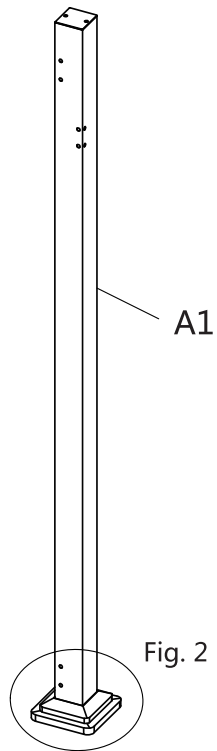
1. A 3 person assembly is required for this tent.
2. Please take appropriate actions as heavy rain, wind and snow can damage the tent. If necessary please dis-assemble and store for later use.
3. In snowy conditions please do not allow the thickness of the snow to be more than 5cm on the roof, this should be cleared as soon as possible for your safety.

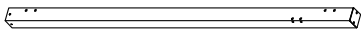
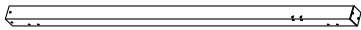


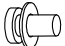
	Description	Sketch	QTY
A1	Post A1		2 pcs
A2	Post A2		2 pcs
B1	Cross Beam B1		2 pcs
B2	Cross Beam B2		2 pcs
C1	Cross Beam C1		2 pcs
C2	Cross Beam C2		2 pcs
D	Roof Tube		12 pcs
E1	Pulling Rod E1		2 pcs
E2	Pulling Rod E2		2 pcs
F	Guide Tube		4 pcs
G	Bracket		8 pcs
H1	Corner Support H1		4 pcs
H2	Corner Support H2		4 pcs
J	Connector J		4 pcs
K	Connector K		6 pcs
M	Bracket M		4 pcs
N	Bracket N		4 pcs
O	Post Decoration O		4 pcs
R	Post Decoration R		4 pcs
S	Post Hoof		4 pcs
P	Shade Fabric		2 pcs

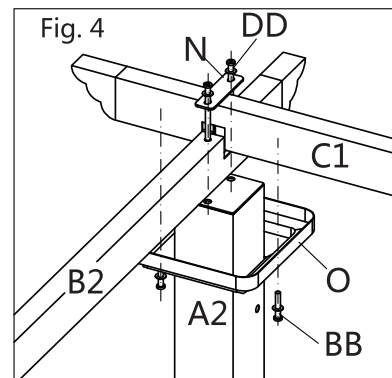
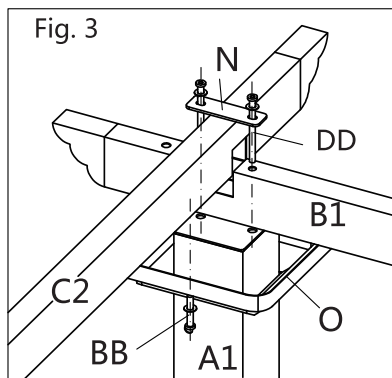
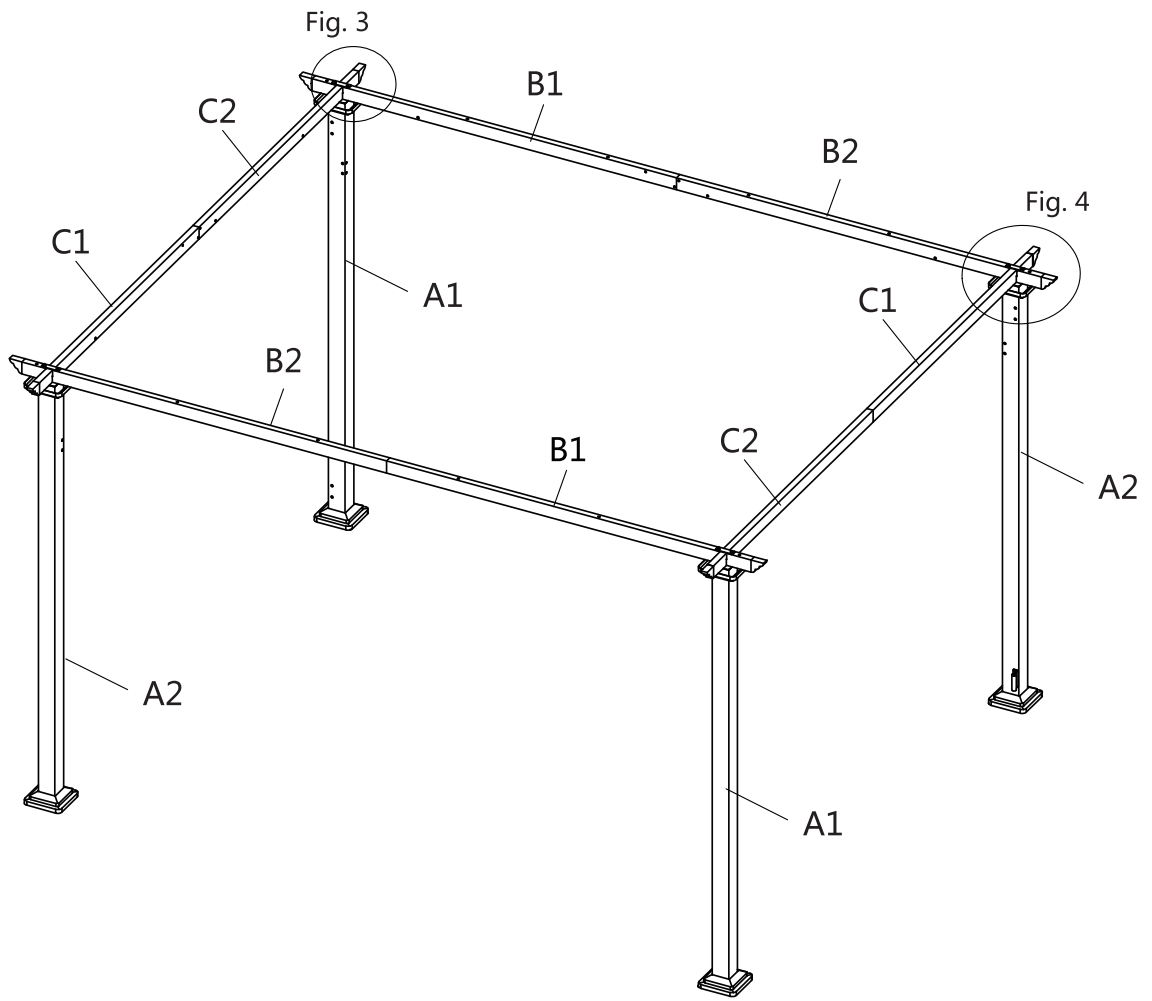
	Description	Sketch	QTY
AA	Bolt (M6x12)		104 pcs
BB	Bolt (M6x35)		8 pcs
CC	Bolt (M6x55)		12 pcs
DD	Bolt (M6x75)		8 pcs
EE	Allen Key		2 pcs
FF	Anchor		8 pcs



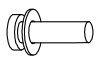
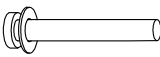


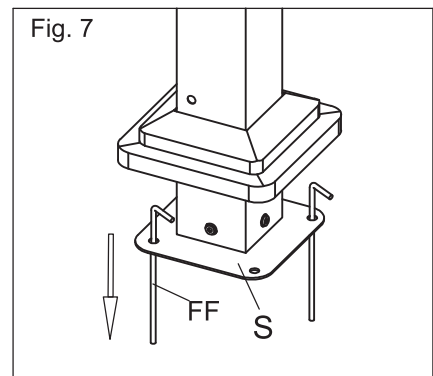
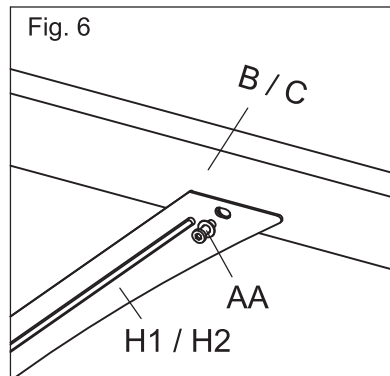
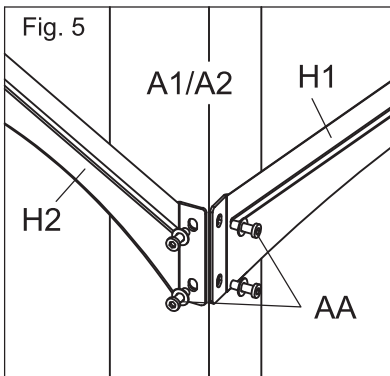
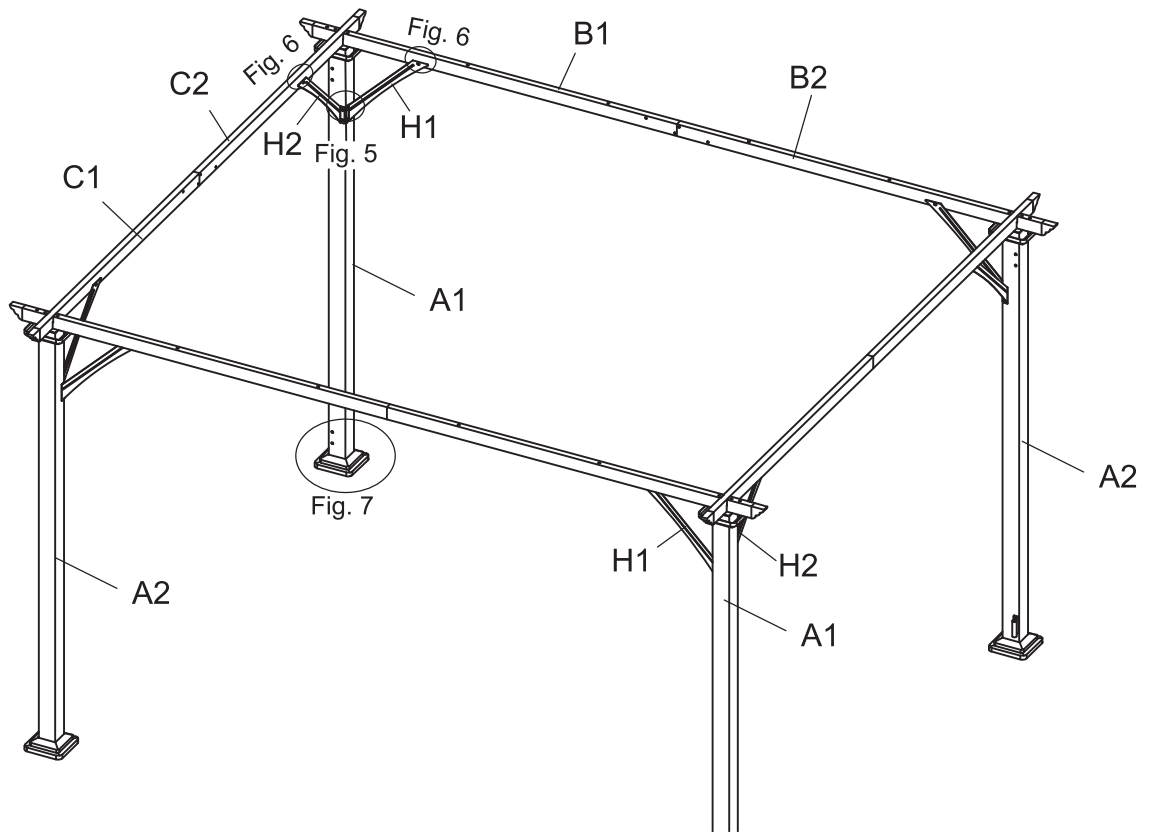
	B1 x 2pcs		B2 x 2pcs
	C1 x 2pcs		C2 x 2pcs
	J x 4pcs		AA x 16pcs




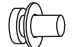


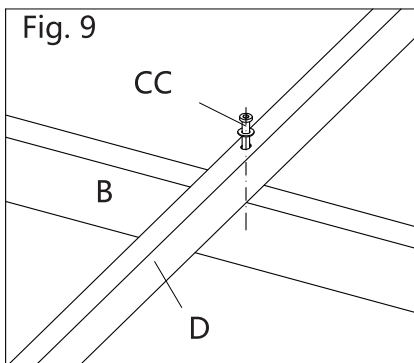
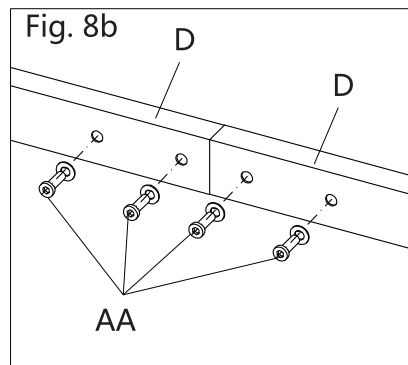
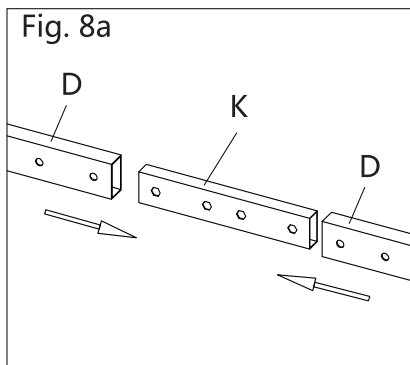
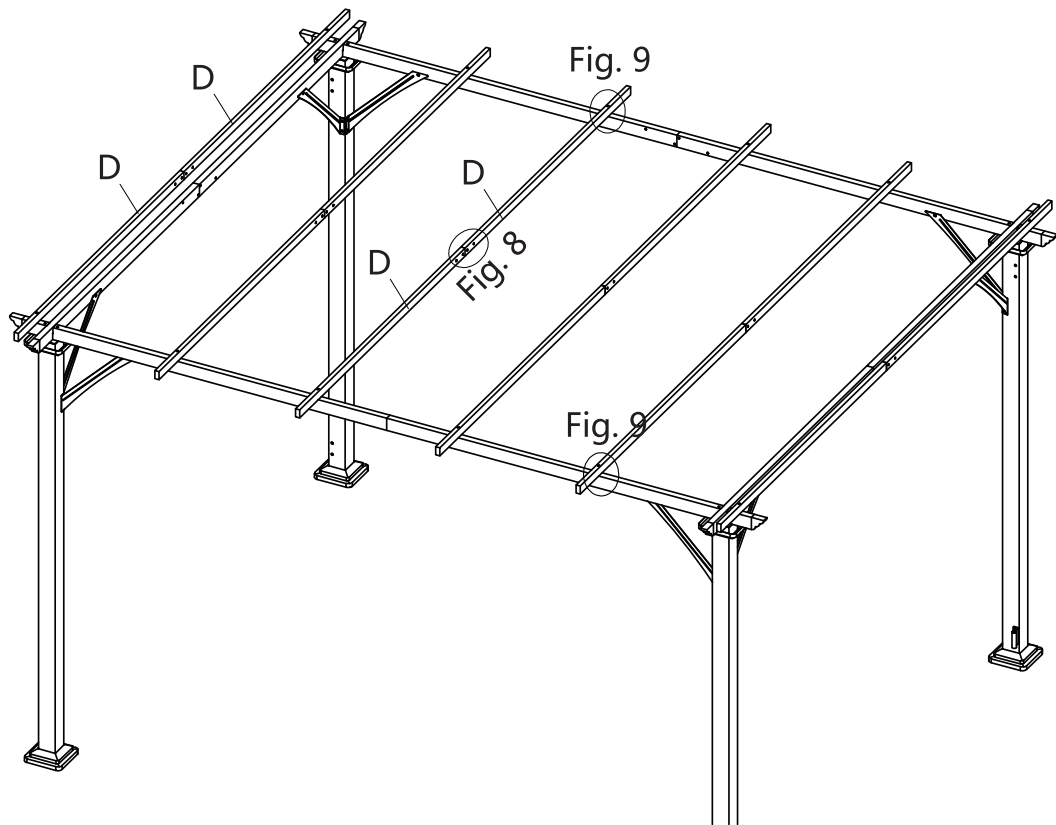
	A1 x 2pcs		A2 x 2pcs
	R x 4pcs		S x 4pcs
	AA x 16pcs		


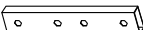
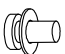



	O x 4pcs		N x 4pcs
	BB x 8pcs		DD x 8pcs

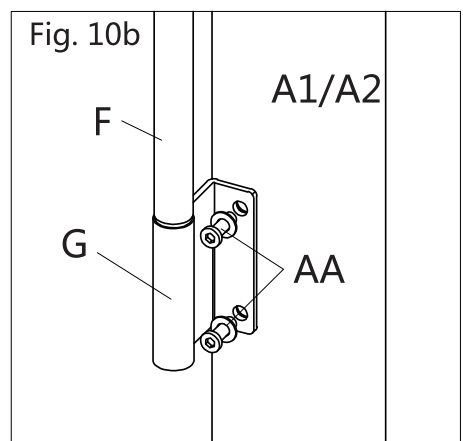
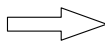
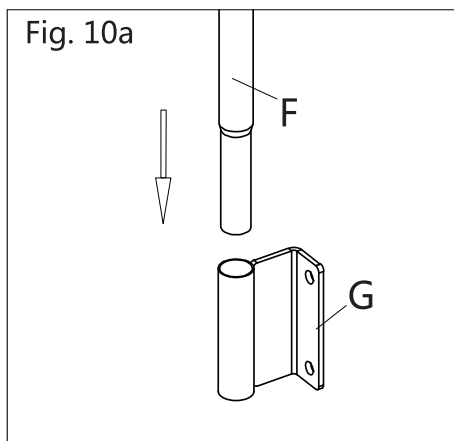
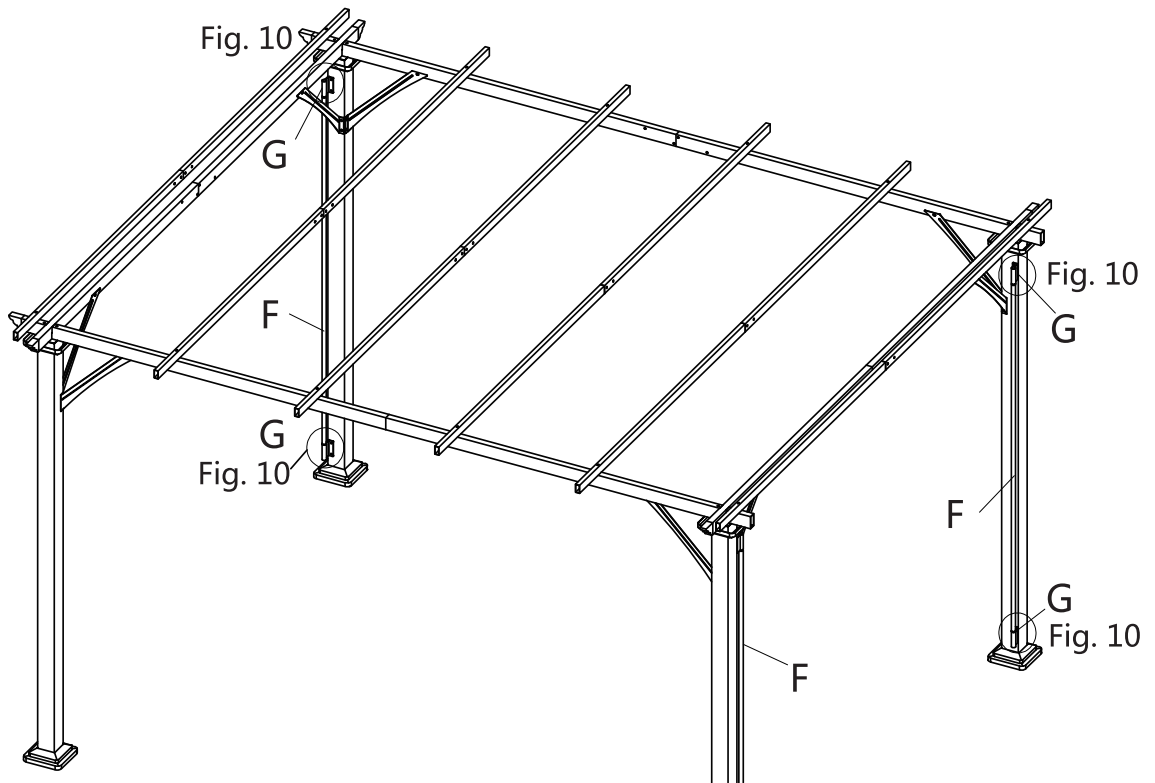




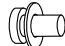
	H1 x 4pcs		H2 x 4pcs
	FF x 8pcs		AA x 24pcs

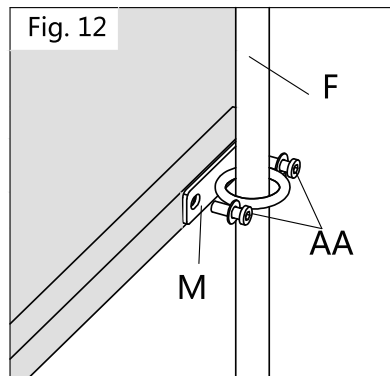
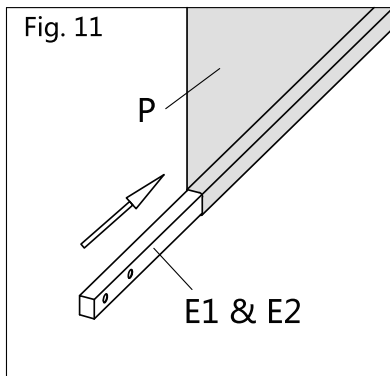
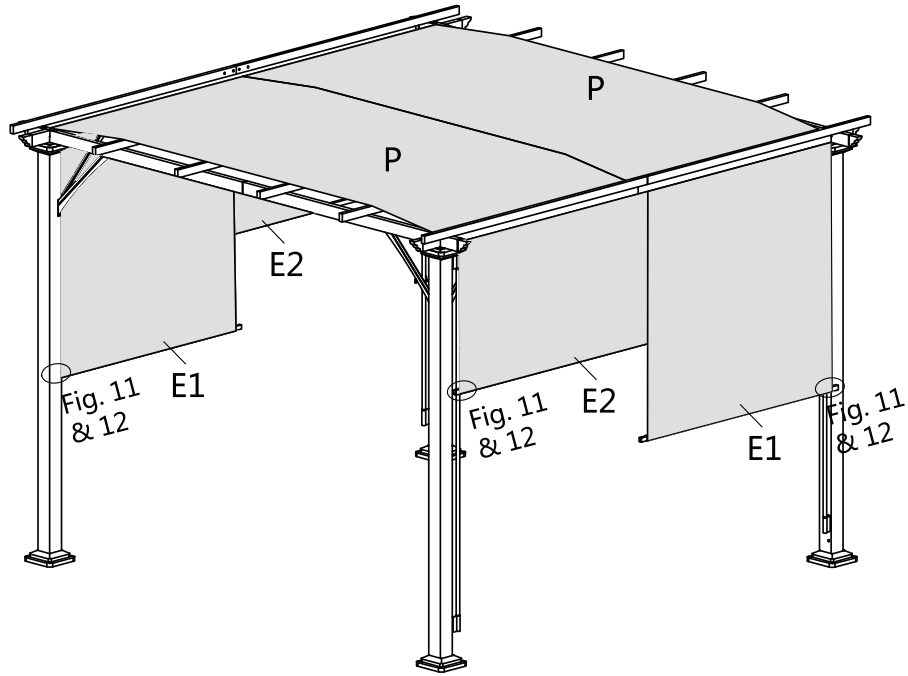



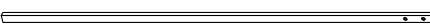


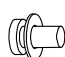
	D x 12pcs		K x 6pcs
	AA x 24pcs		CCx 12pcs

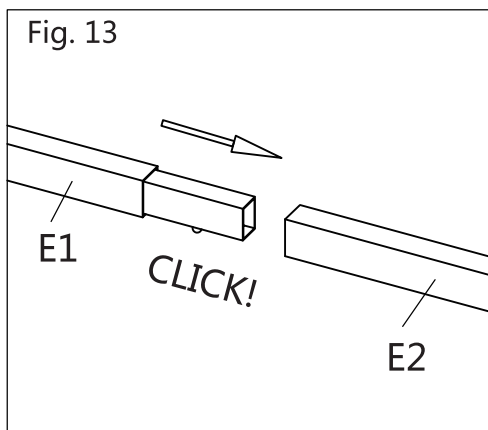
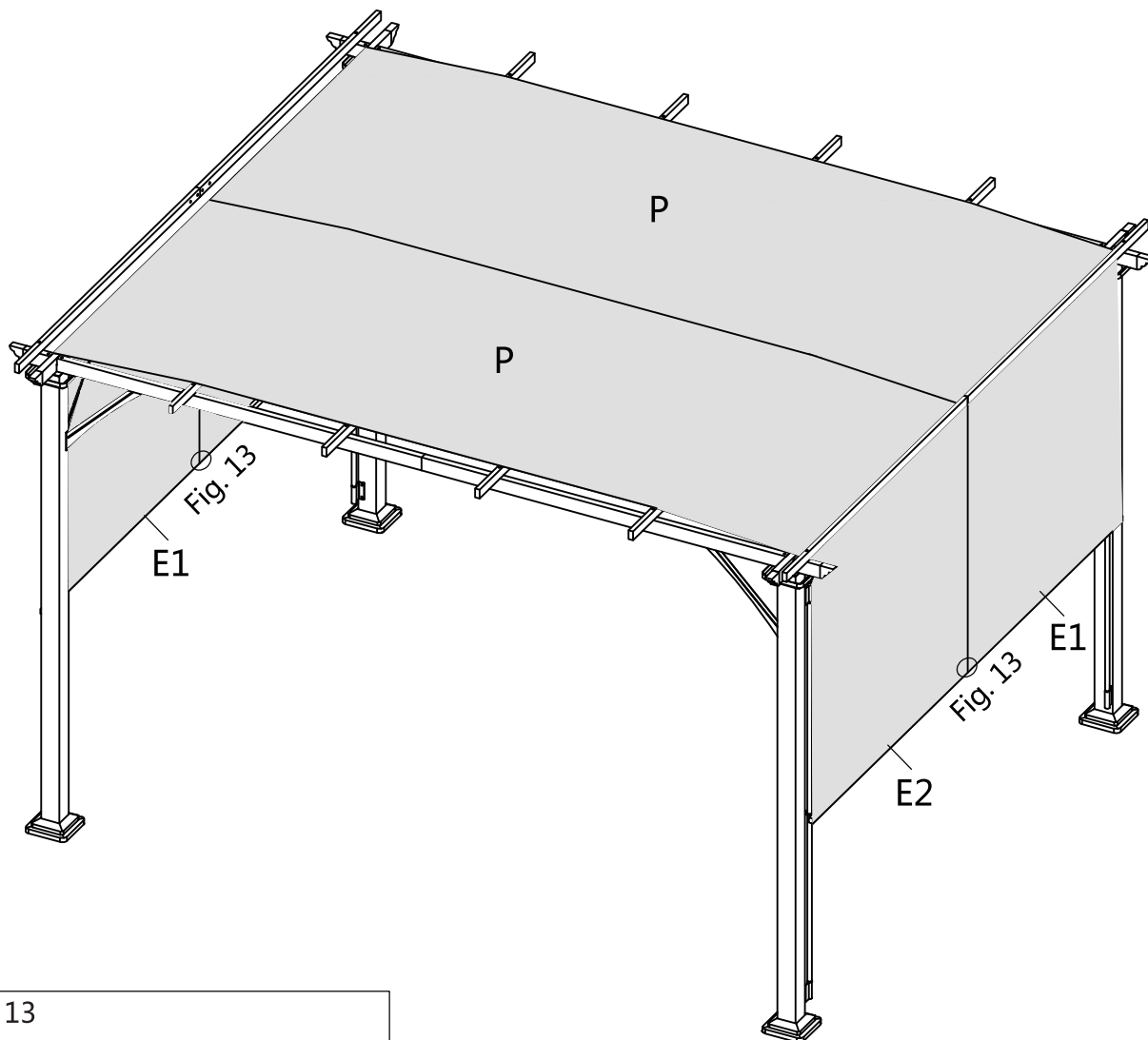




	F x 4pcs		G x 8pcs
	AA x 16pcs		



	E1 x 2pcs		E2 x 2pcs
	M x 4pcs		P x 2pcs
	AA x 8pcs		



US



001-877-644-9366  
customerservice@aosom.com

CA



001-855-537-6088  
customerservice@aosom.ca

UK



0044-800-240-4004  
enquiries@mhstar.co.uk

DE



0049-(0)40-88307530  
service@aosom.de

FR



0033-1-84166106  
contact@aosom.fr

ES



0034-931294512  
atencioncliente@aosom.es

IT



0039-0249471447  
clienti@aosom.it