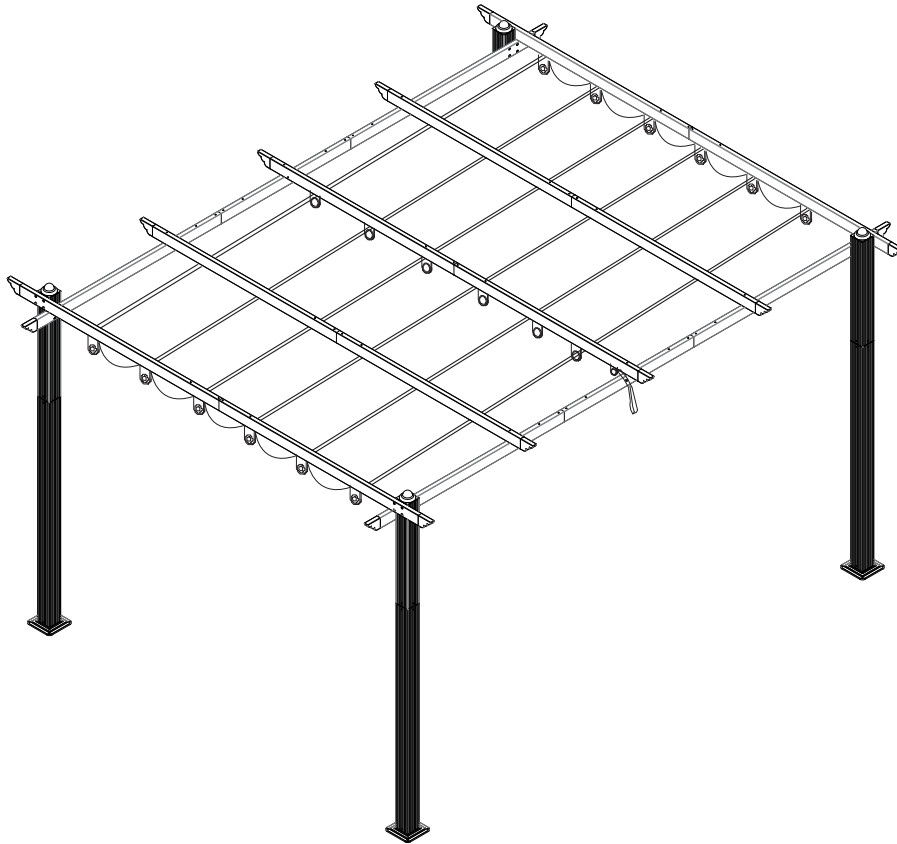




VEIKOUS



INSTRUCTION MANUAL



www.veikous.com



customerservice@veikous.com

STOP

**MISSING A PART?
CALL US BEFORE GOING
BACK TO THE STORE**

The store where you made your purchase
Does not stock parts for this item.

If you have assembly questions or you are missing or
have damaged parts, please call

1-858-324-1911

(Mon - Fri, 10:00 am to 7:00 pm EST)

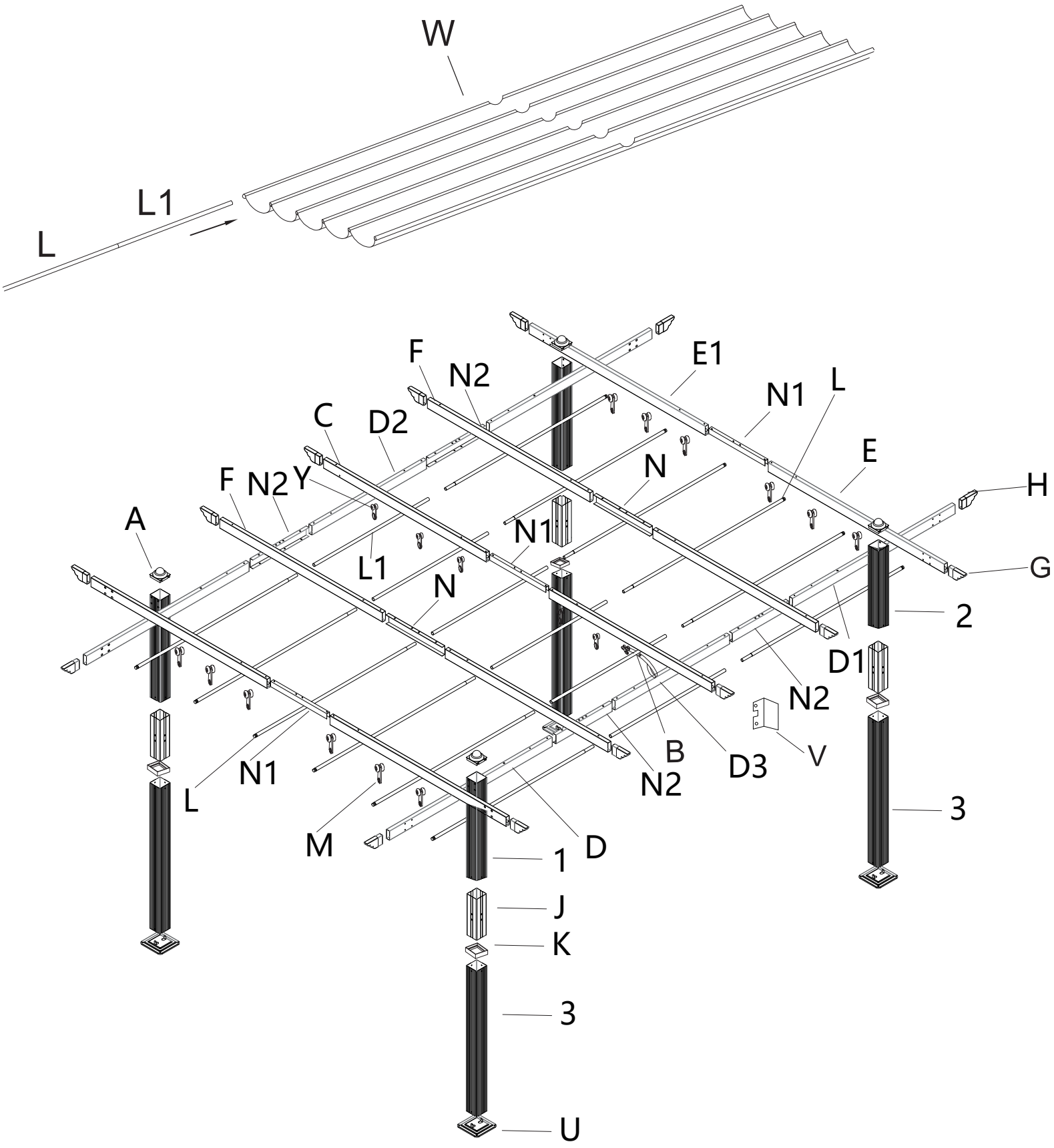
you can also e-mail customerservice@veikous.com

or visit www.veikous.com


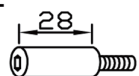







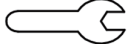

Please prefer email contact. Due to busy lines,
there may be a wait for calls to be answered.

Please have the following information ready when you make your call:





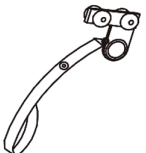
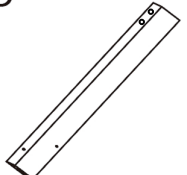








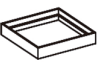


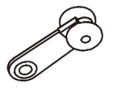
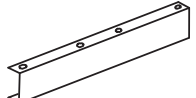
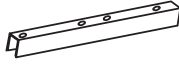

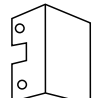



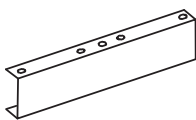
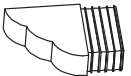
- Model Number of the product located on the front of the assembly manual
 - Description of the part from the parts list
-
- Read entire assembly manual, paying special attention to the important tips and safety information .
 - Ensure there are no missing pieces by first separating and identifying all parts.
 - Make sure to check packing material for small parts that may have fallen out during shipment.
 - Structures are not intended for public use. The Company does not warranty any of its residential structures subjected to commercial use such as: Daycare, Preschool, Nursery School, Recreational Park, or any similar Commercial Application.
 - This manual contains helpful information concerning assembly preparation, installation procedure and required maintenance.
 - Always keep safety in mind as your structure is being built.
 - Keep these instructions for future reference.

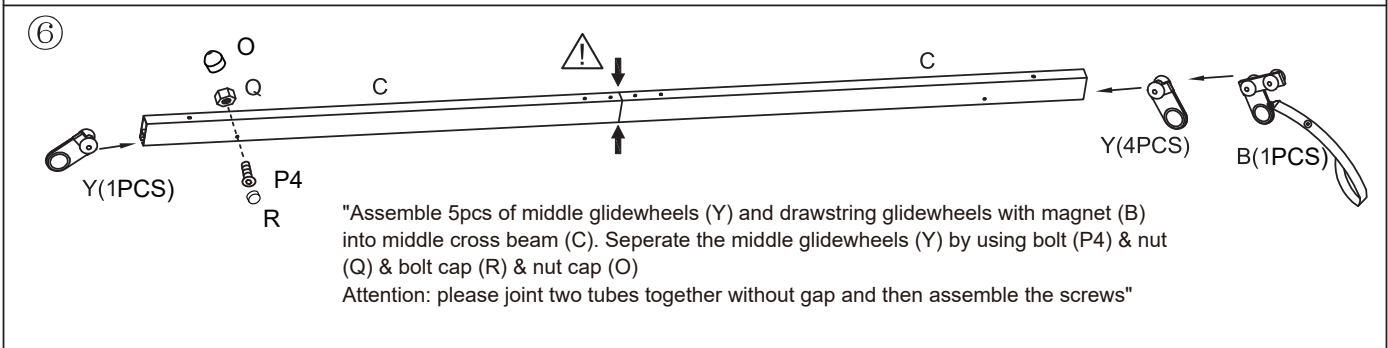
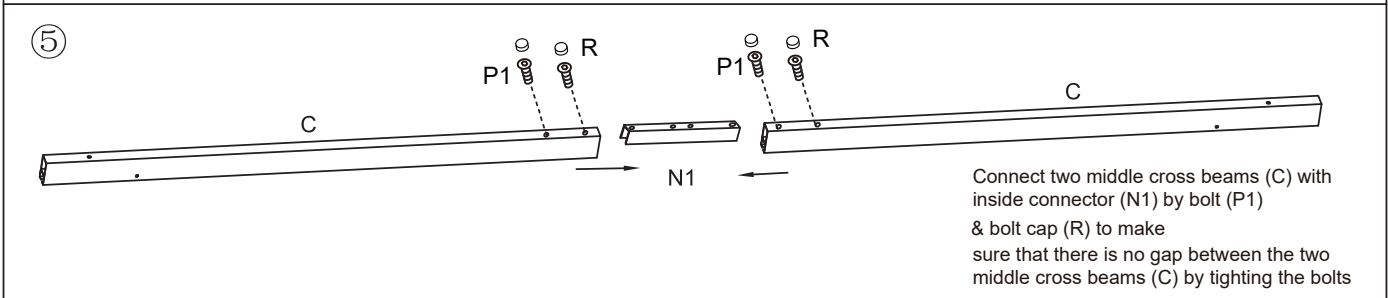
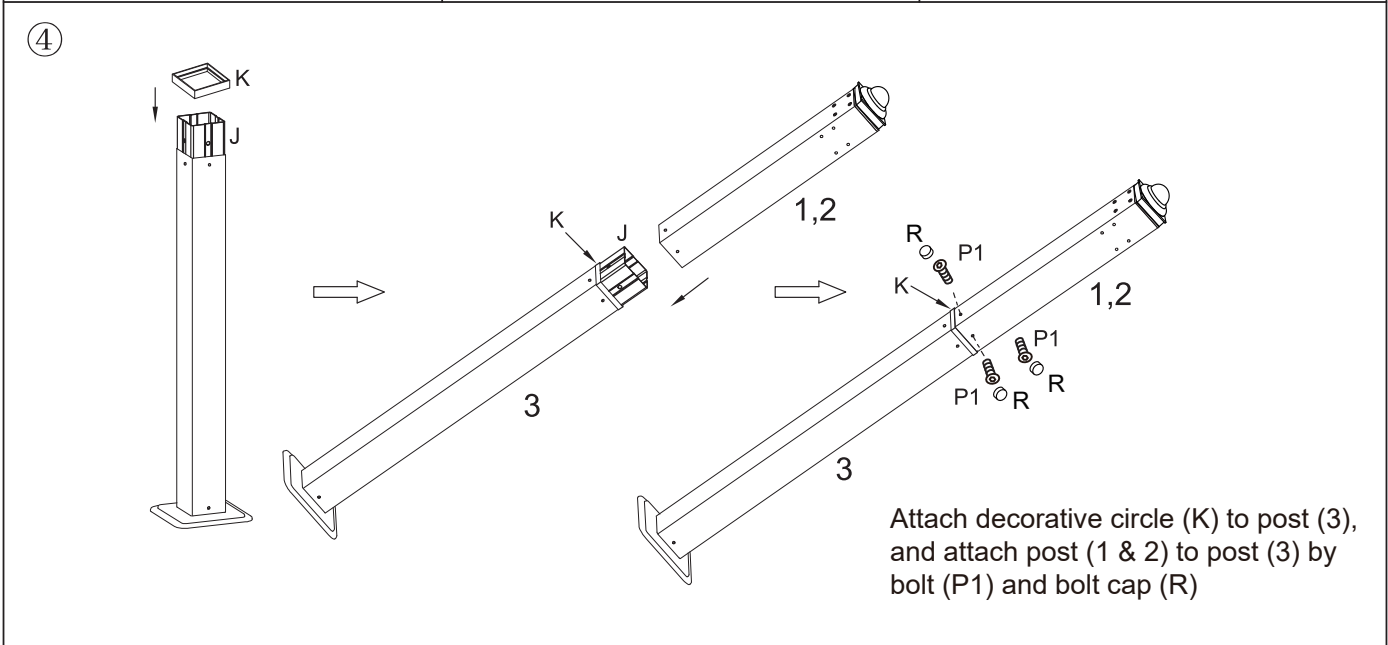
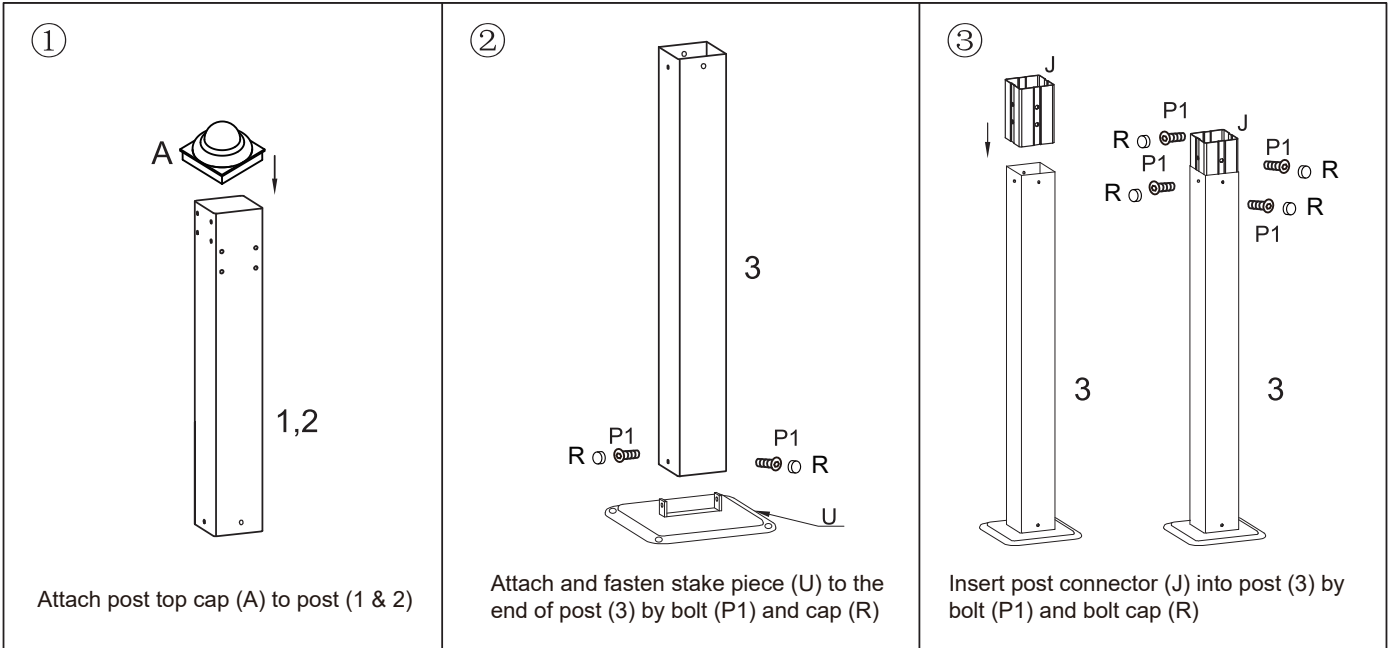


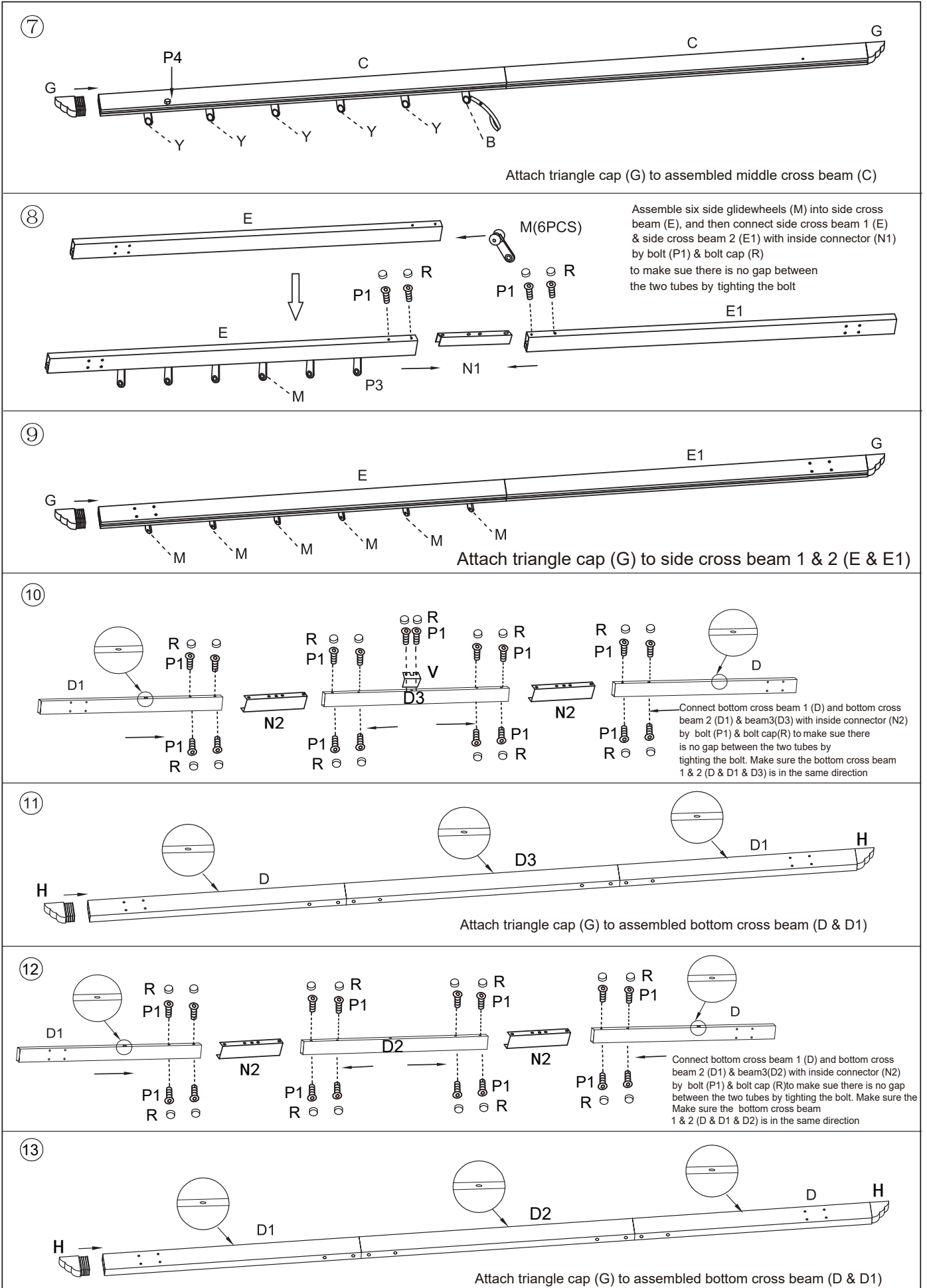
HARDWARE

P1  M6X15 Bolt 106 PCS	P2  Big Bolt 32 PCS	P3  M6X70 Bolt 6 PCS	P4  M6X40 Bolt 1 PC	R  Plastic Cap 113 PCS	O  Nut Cap 1 PC
Q  Nut 1 PC	T  Ground stake 16 PCS	 Big Bolt Tool 1 PC	 Tool 1 PC	 M6 Bolt Tool 1 PC	

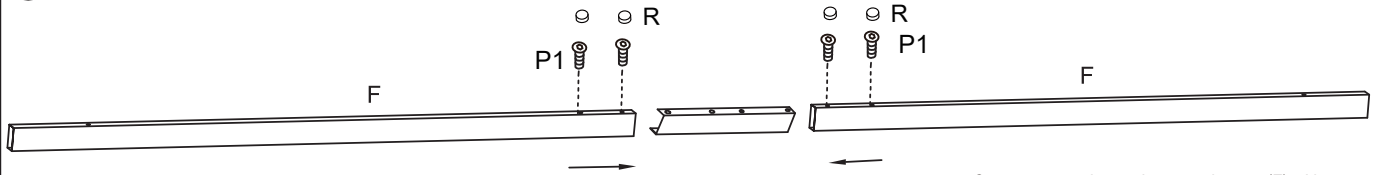
PARTS

1  Post 1 2 PCS	2  Post 2 2 PCS	3  Post 3 4 PCS	A  post top cap 4 PCS	B  Drawstring glidewheel with magnet 1 PC	C  Middle cross beam 2 PCS
D  Bottom cross beam 1 2 PCS	D1  Bottom cross beam 2 2 PCS	E  Side cross beam 1 2 PCS	E1  Side cross beam 2 2 PCS	F  Enhanced support beam 4 PCS	D3  Bottom cross beam 3 1 PC
G  Triangle cap 10 PCS	J  post connector 4 PCS	K  post middle decorative circle 4 PCS	L  Fabric rib 1 12 PCS	L1  Fabric rib 2 6 PCS	M  side glidewheel 12 PCS
N  Enhanced support beam connector 2 PCS	N1  Middel & side cross beam connector 3 PCS	U  Stake piece 4 PCS	V  Gripping magnet steel piece 1 PC	W  fabric cover 1 PC	Y  middle glidewheel 5 PCS
D2  Bottom cross beam 3 1 PC	N2  Bottom cross beam connector 4 PCS	H  Triangle cap 4 PCS	Pg.4		



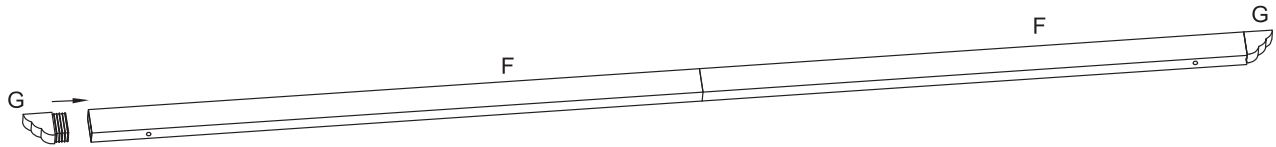


14



Connect two enhanced support beams (F) with inside connector (N2) by bolt (P1) & bolt cap (R) to make sure there is no gap between the two tubes by tightening the bolt

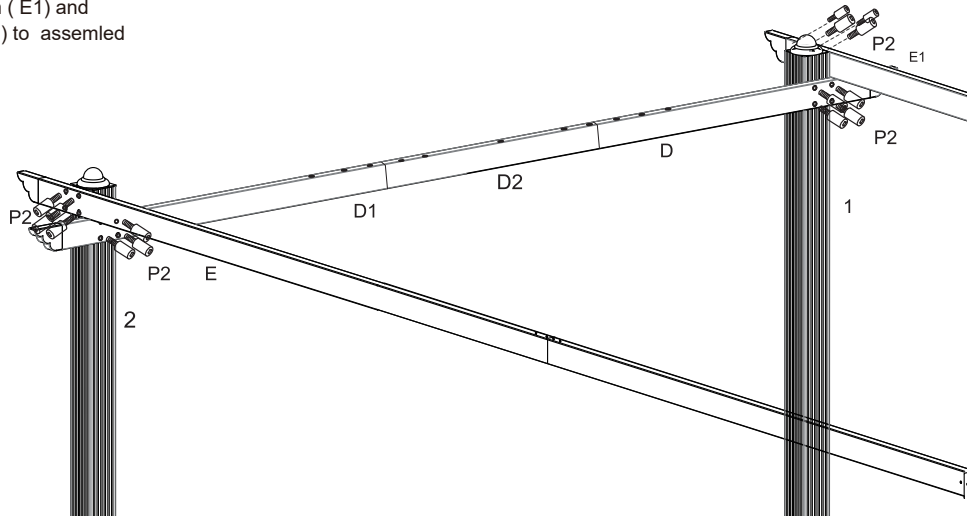
15



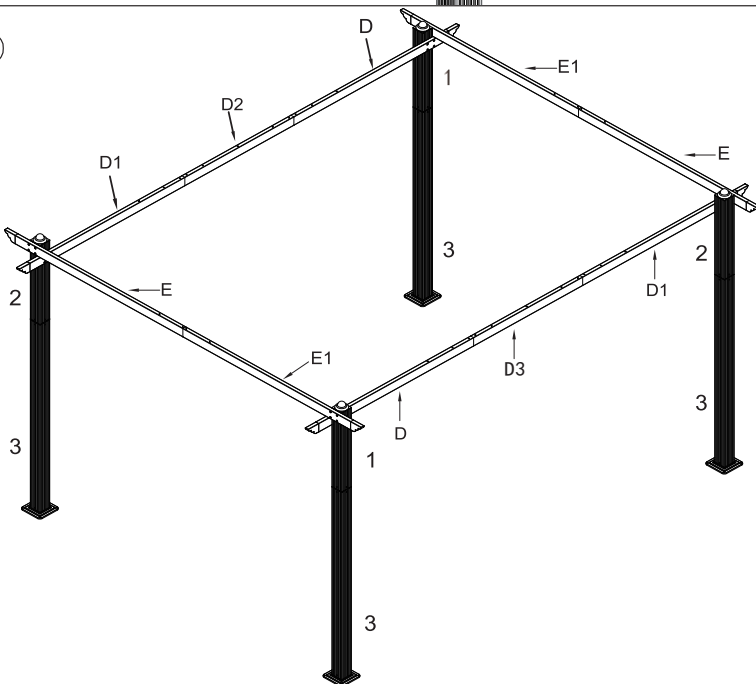
Attach triangle cap (G) to assembled enhanced support beam (F)

16

Connect assembled side cross beam (E1) and assembled bottom cross beam 2 (D1) to assembled post (2) by big bolt (P2)

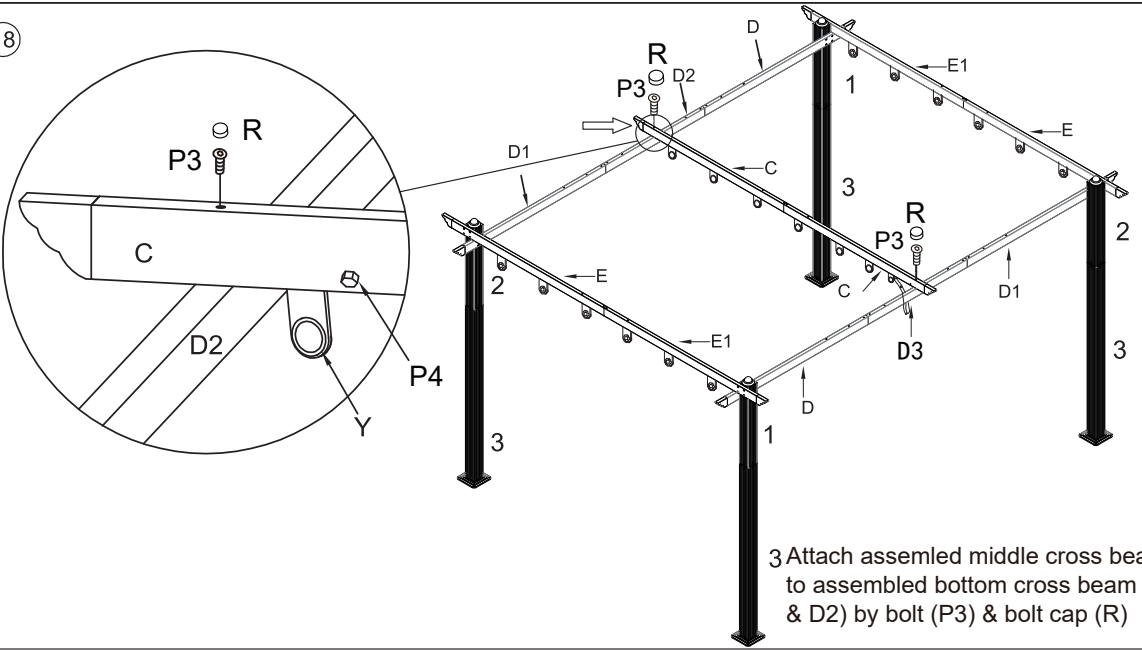


17



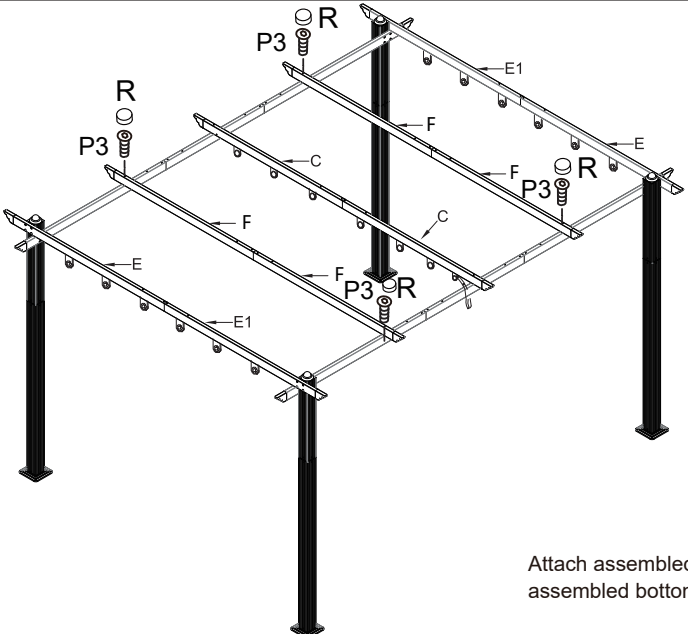
Follow the same step as 14 to connect other three left

18



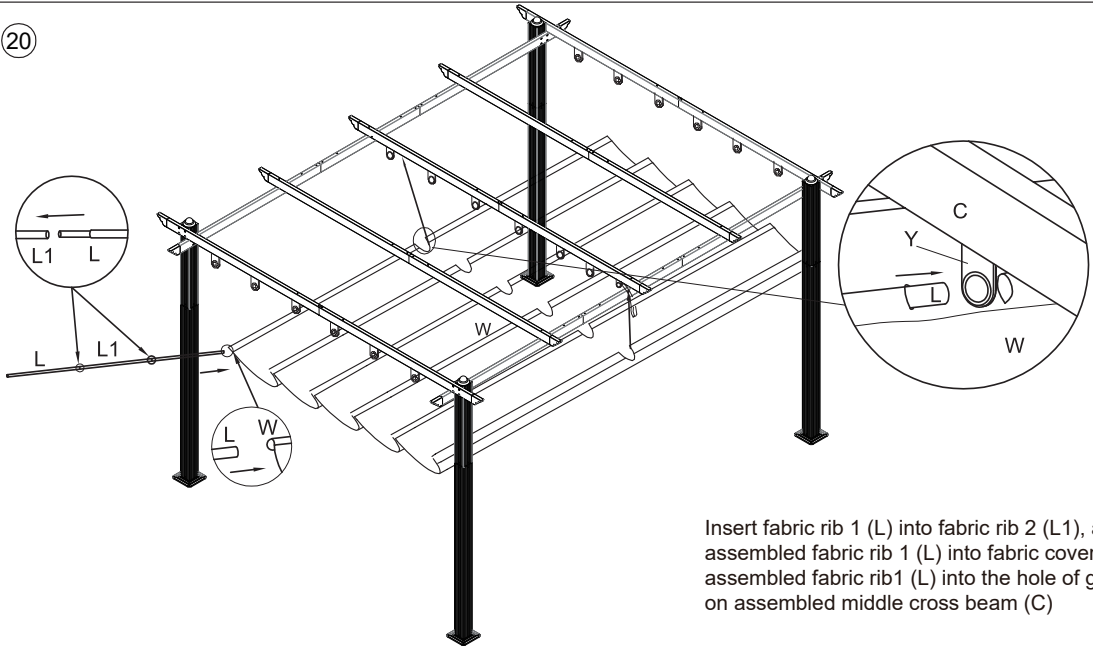
3 Attach assembled middle cross beam (C) to assembled bottom cross beam (D & D1 & D2) by bolt (P3) & bolt cap (R)

19



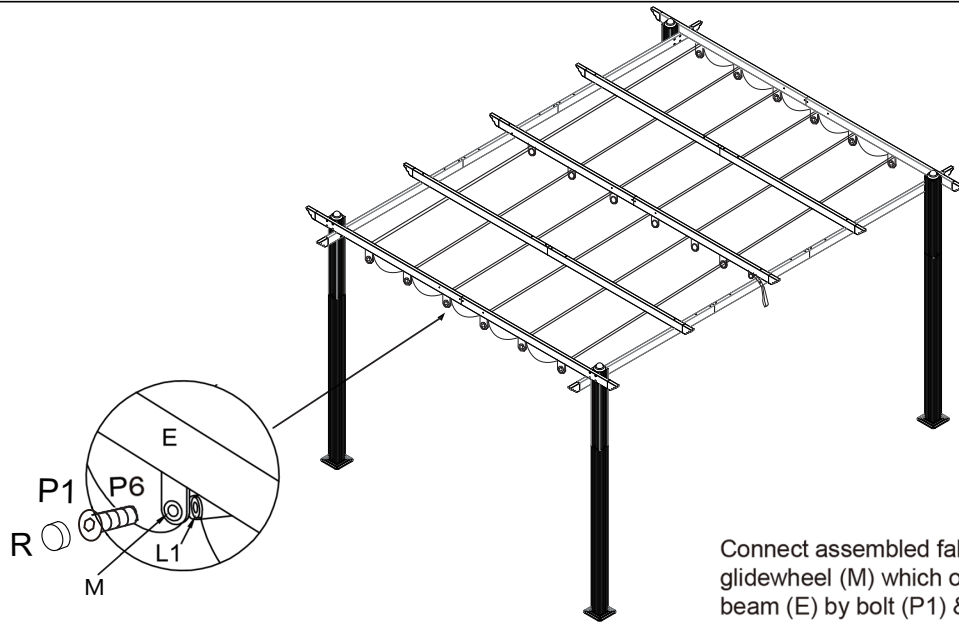
Attach assembled enhanced support beam (F) to assembled bottom cross beam (D & D1) by bolt (P3) & bolt cap (R)

20



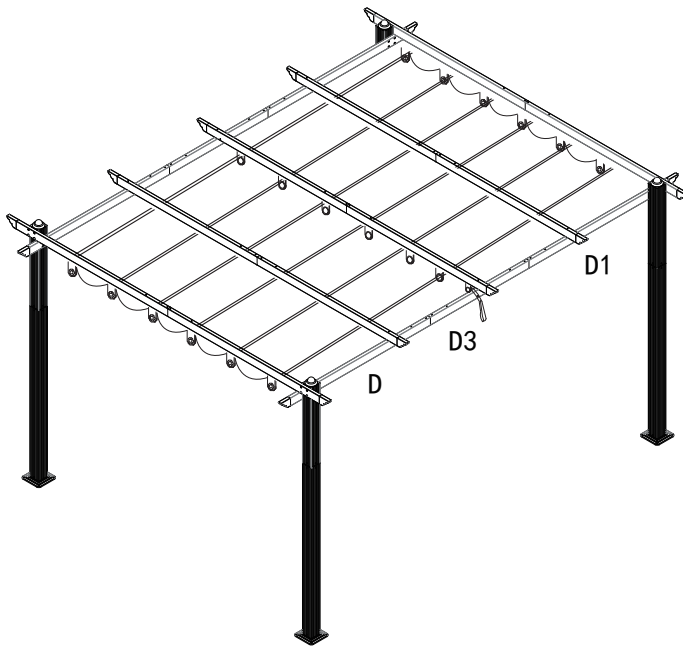
Insert fabric rib 1 (L) into fabric rib 2 (L1), and then through assembled fabric rib 1 (L) into fabric cover (W), and through assembled fabric rib1 (L) into the hole of glidewheel (Y&B) which on assembled middle cross beam (C)

21



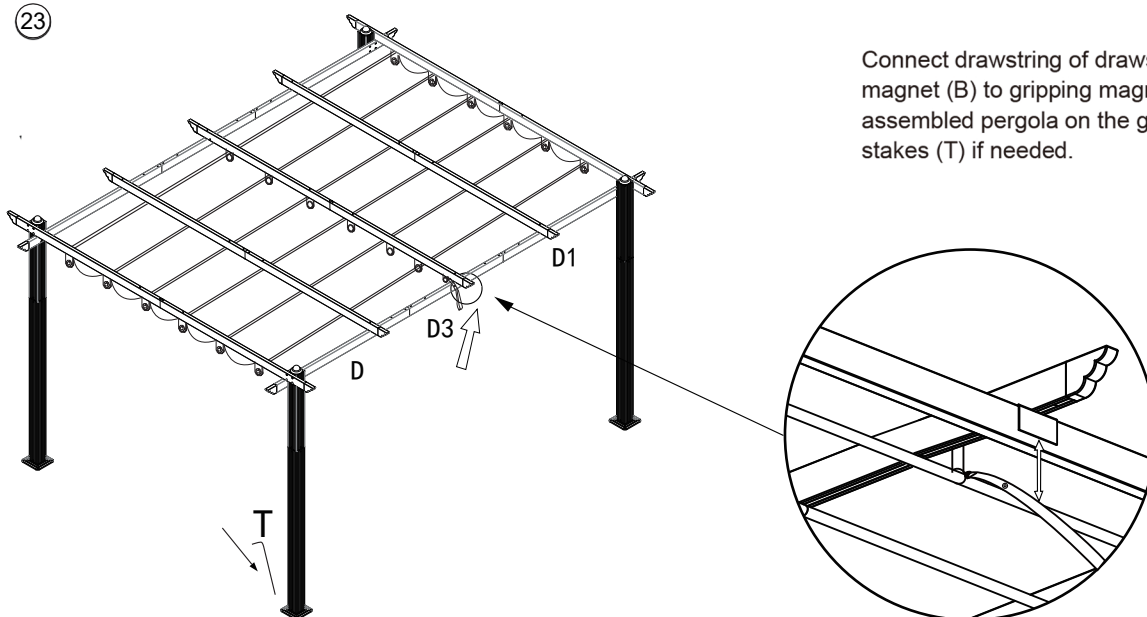
Connect assembled fabric rib 2 (L1) to the hole of glidewheel (M) which on assembled side cross beam (E) by bolt (P1) & bolt cap (R)

22



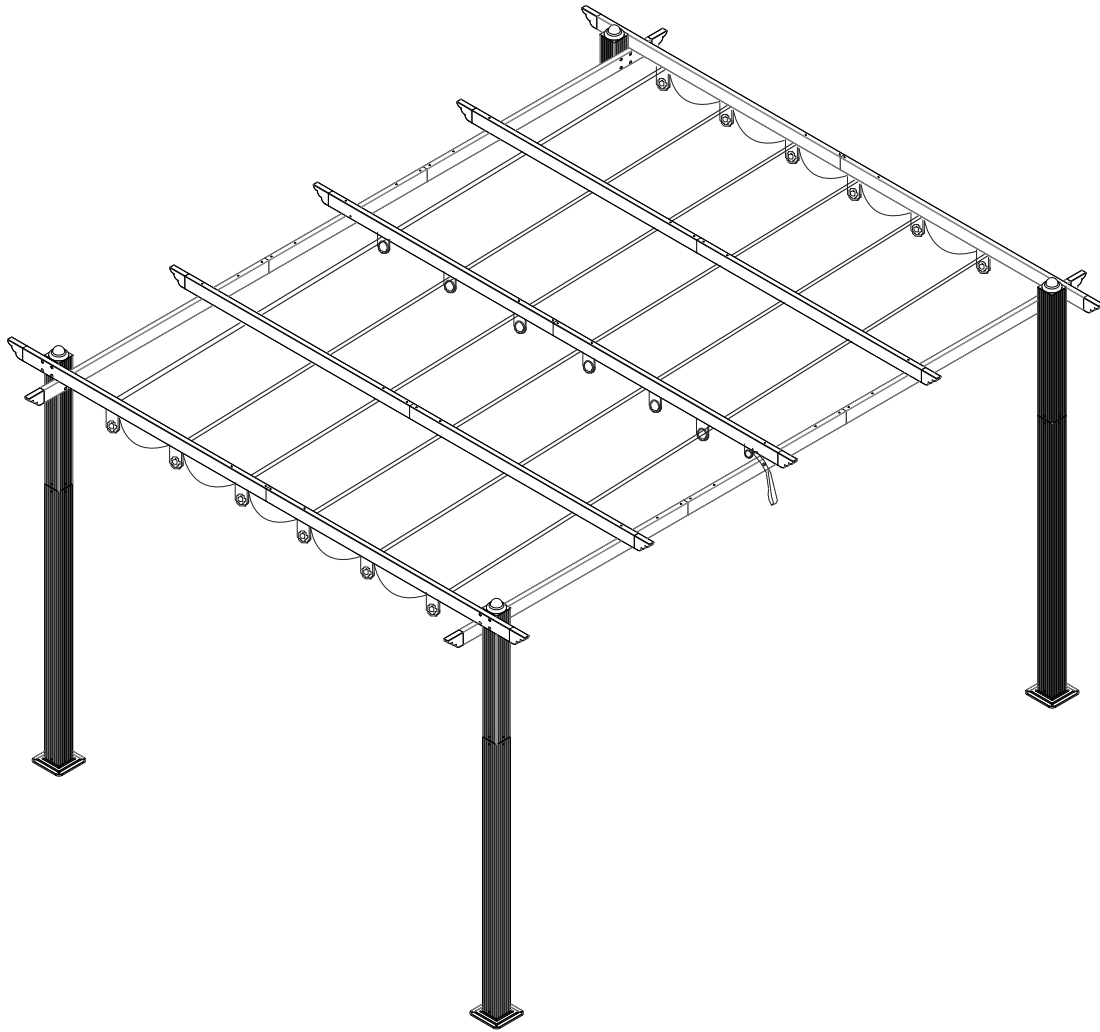
Attach gripping magnet steel piece (V) into assembled bottom cross beam 3 (D2) by bolt (P1) & bolt cap (R)

23



Connect drawstring of drawstring glidewheel with magnet (B) to gripping magnet steel piece (V). Fix assembled pergola on the ground with ground stakes (T) if needed.

Enjoy your product!



Care and Cleaning

1. For best results, clean the pergolas with a damp cloth and dry thoroughly. This will help prevent mildew by removing dirt particles that may accumulate.
2. Do not clean with abrasive materials, bleach, or solvents.
3. Store the pergolas in a dry, sheltered place when not in use.
4. Keep the pergolas away from fire, extreme heat, freezing conditions, and inclement weather such as rain, hail, sleet, snow, or wind.